



US00D588784S

(12) **United States Design Patent**  
**Cho**

(10) **Patent No.:** **US D588,784 S**  
(45) **Date of Patent:** **\*\* Mar. 24, 2009**

(54) **PUPPY CAP**

(75) Inventor: **Byoung-Woo Cho**, Gyeonggi-do (KR)

(73) Assignee: **Yupoong, Inc.**, Seoul (KR)

(\*\*) Term: **14 Years**

(21) Appl. No.: **29/322,550**

(22) Filed: **Aug. 7, 2008**

(51) **LOC (9) Cl.** ..... **02-03**

(52) **U.S. Cl.** ..... **D2/872**

(58) **Field of Classification Search** ..... D2/865,  
D2/871, 872, 873, 874, 875, 876, 879, 880,  
D2/881, 882, 884, 886, 891, 893, 895; 2/171,  
2/171.1, 172, 195.1-195.2, 195.3, 200.1,  
2/200.2, 209.11, 209.12, 209.13, 209.3, 209.7;  
446/27

See application file for complete search history.

(56) **References Cited**

**U.S. PATENT DOCUMENTS**

|               |         |               |       |          |
|---------------|---------|---------------|-------|----------|
| D134,274 S *  | 11/1942 | Reid          | ..... | D2/869   |
| D162,965 S *  | 4/1951  | Krieger       | ..... | D2/872   |
| D169,968 S *  | 7/1953  | Feldman       | ..... | D2/872   |
| 2,735,109 A * | 2/1956  | Feldman       | ..... | 2/172    |
| D214,660 S *  | 7/1969  | Szombathy     | ..... | D2/870   |
| 4,099,271 A * | 7/1978  | Allen et al.  | ..... | 2/200.2  |
| 4,268,918 A * | 5/1981  | Lee           | ..... | 2/172    |
| 5,348,510 A * | 9/1994  | DuPont et al. | ..... | 446/100  |
| D364,494 S *  | 11/1995 | Sisera et al. | ..... | D2/869   |
| D389,291 S *  | 1/1998  | Sterrett      | ..... | D2/870   |
| D394,340 S *  | 5/1998  | Kennard       | ..... | D2/869   |
| 5,903,925 A * | 5/1999  | Engbretson    | ..... | 2/209.13 |

|                   |         |            |       |        |
|-------------------|---------|------------|-------|--------|
| D411,239 S *      | 6/1999  | Jack       | ..... | D2/869 |
| D417,941 S *      | 12/1999 | Bass       | ..... | D2/869 |
| D422,398 S *      | 4/2000  | Jones      | ..... | D2/869 |
| D429,404 S *      | 8/2000  | DeChambeau | ..... | D2/866 |
| 6,874,166 B2 *    | 4/2005  | Clary      | ..... | 2/171  |
| D538,010 S *      | 3/2007  | Pegula     | ..... | D2/878 |
| 2007/0294802 A1 * | 12/2007 | Lin        | ..... | 2/206  |

\* cited by examiner

*Primary Examiner*—Elizabeth A Albert

*Assistant Examiner*—Karen E Eldridge Powers

(74) *Attorney, Agent, or Firm*—Fellers, Snider, Blankenship,  
Bailey & Tippens

(57) **CLAIM**

The ornamental design for a puppy cap, as shown and described.

**DESCRIPTION**

FIG. 1 is a perspective view of a puppy cap according to my new design;

FIG. 2 is a front elevational view thereof;

FIG. 3 is a rear elevational view thereof;

FIG. 4 is a left side elevational view thereof;

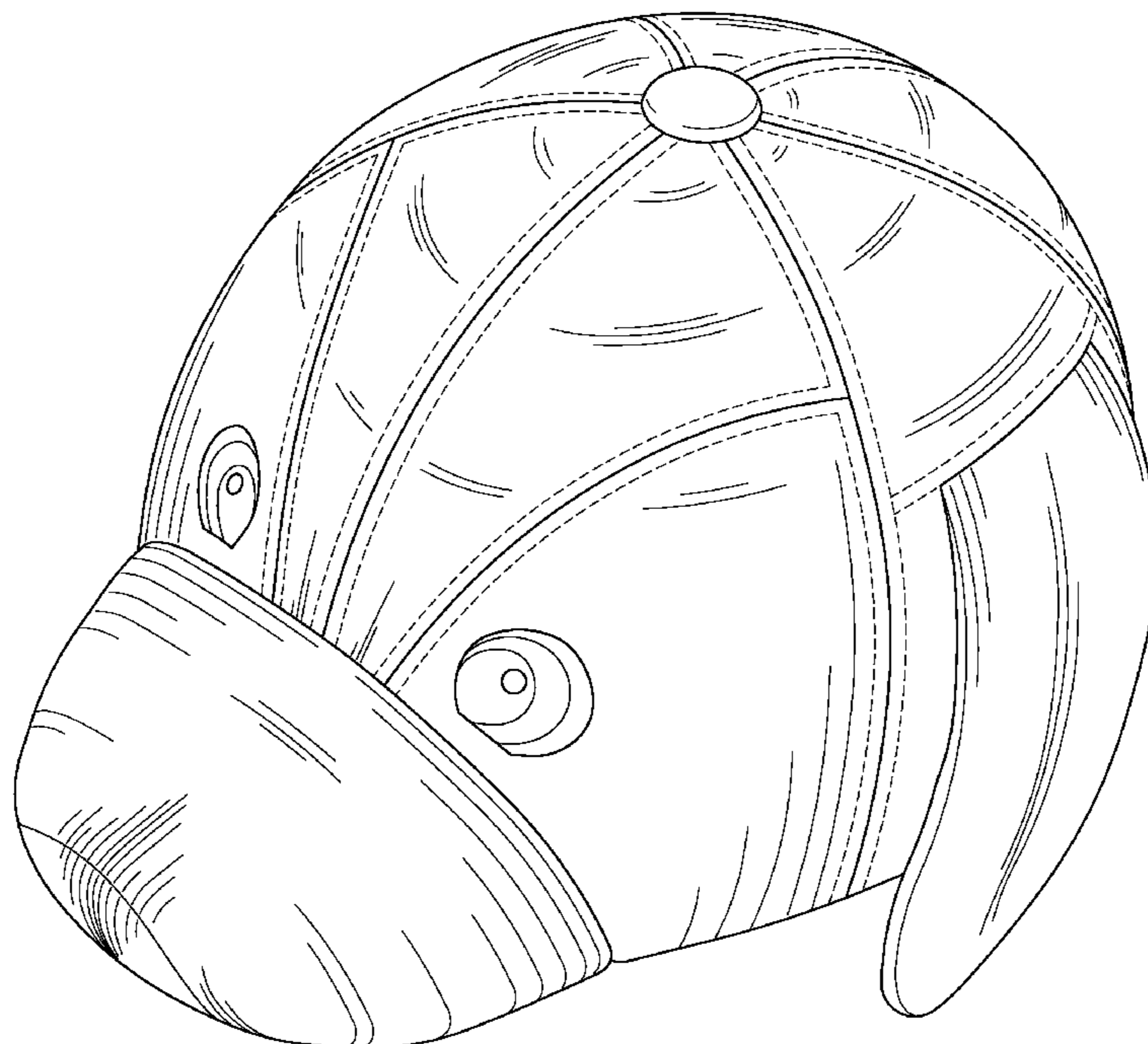
FIG. 5 is a right side elevational view thereof;

FIG. 6 is a top plan view thereof; and,

FIG. 7 is a bottom plan view thereof.

The broken lines that cross the inner and outer surfaces of the crown and the nose-shaped visor portion are stitching and form no part of the claimed design.

**1 Claim, 7 Drawing Sheets**



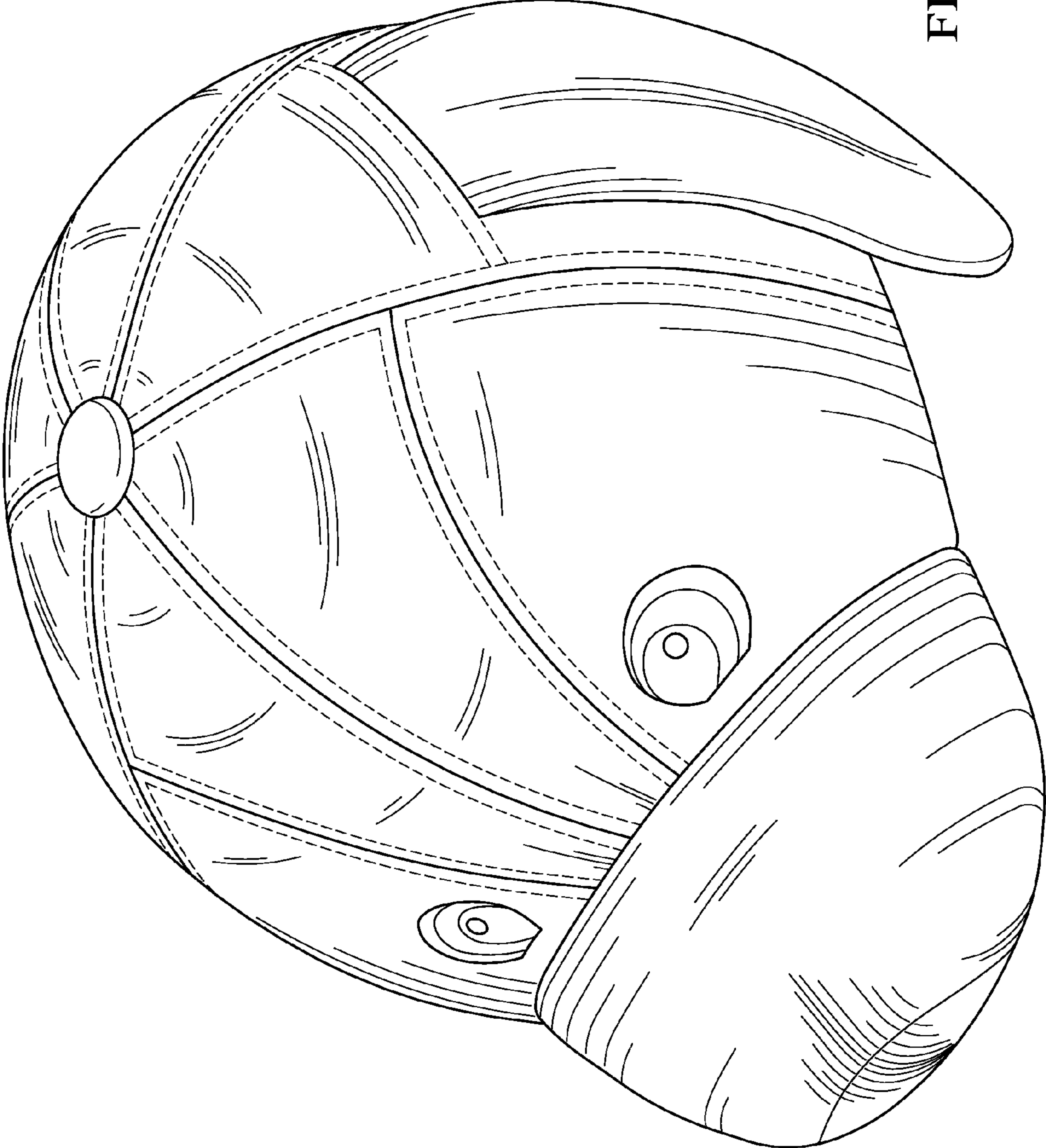


FIG. 1

FIG. 2

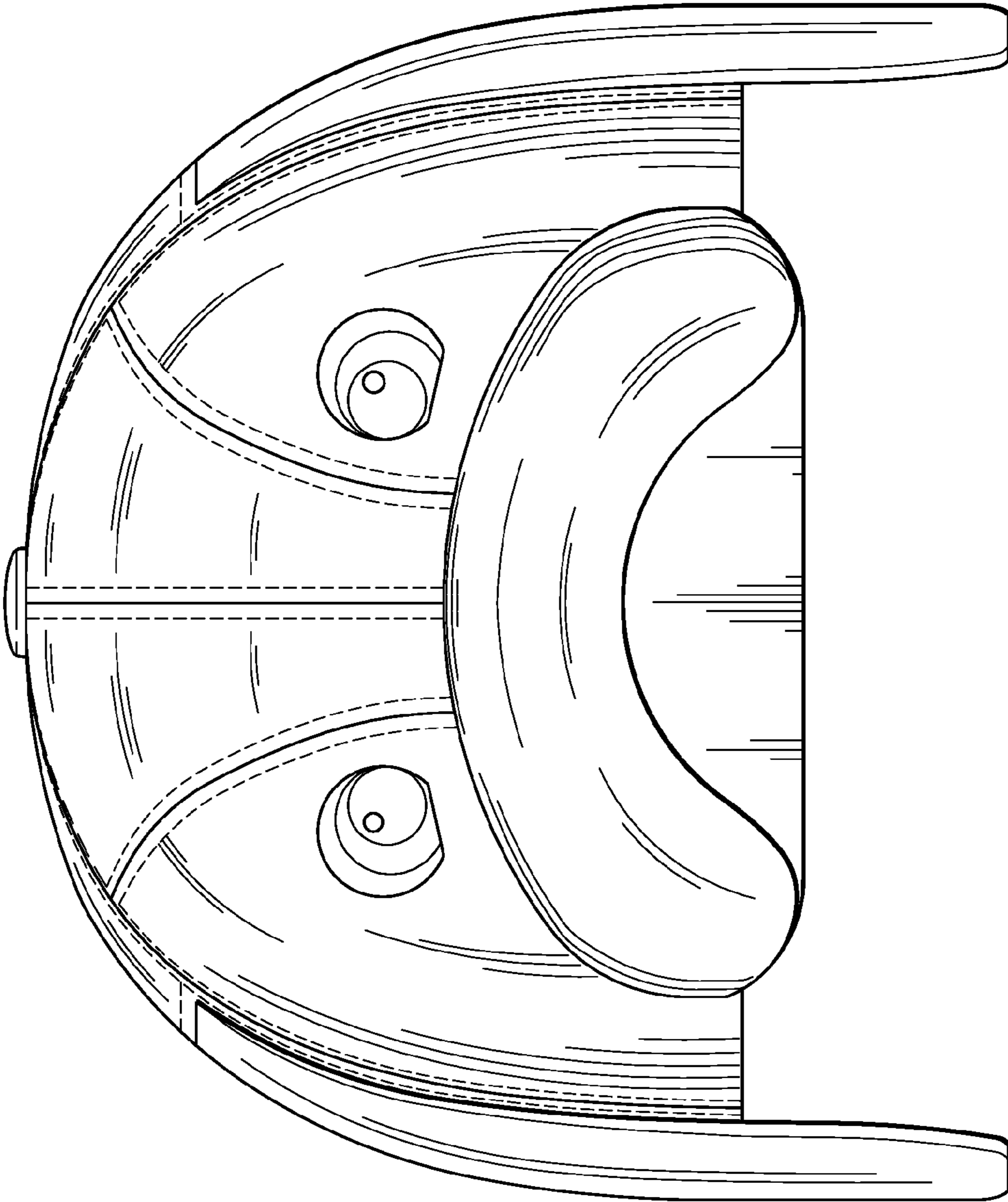


FIG. 3

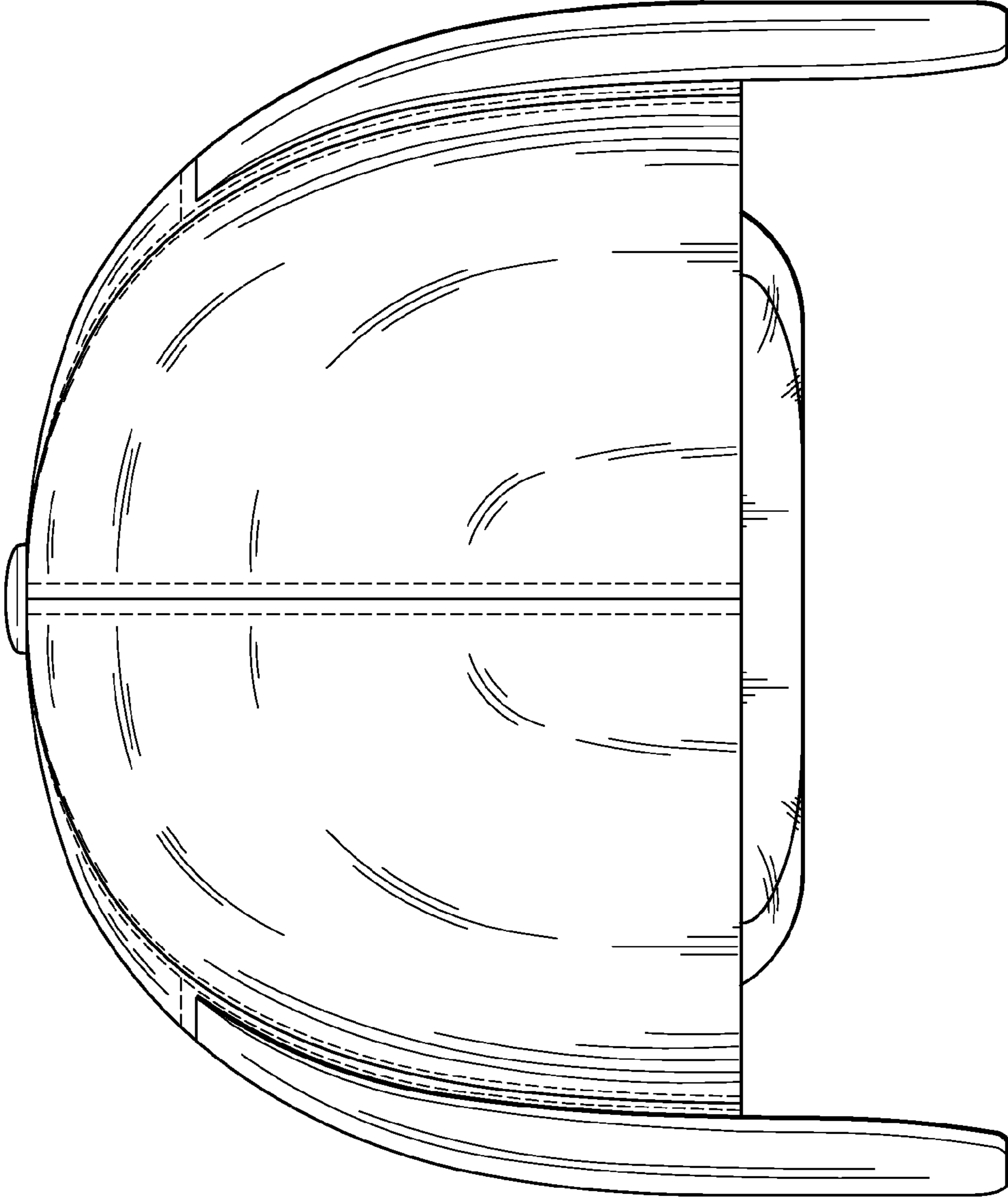




FIG. 4

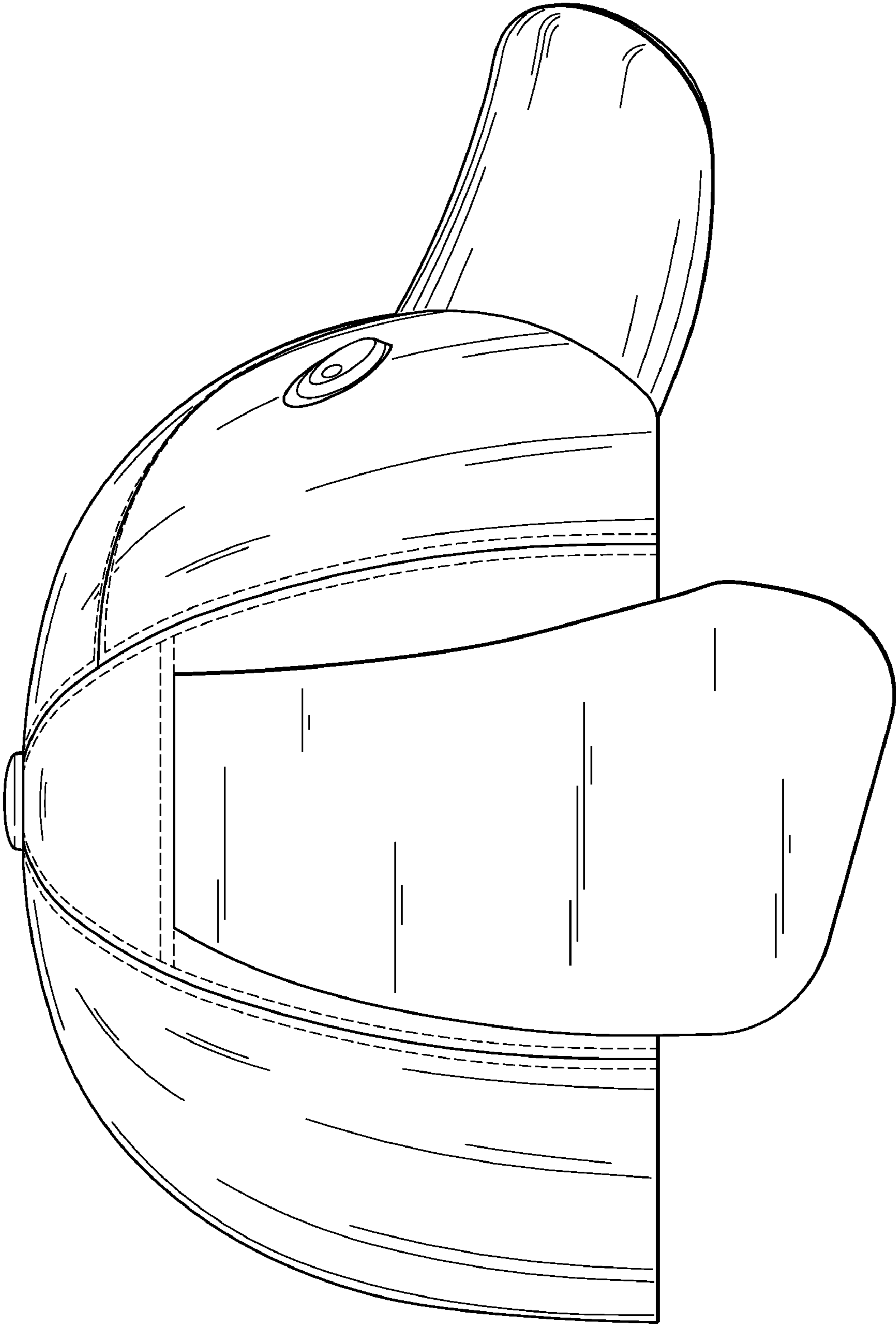


FIG. 5

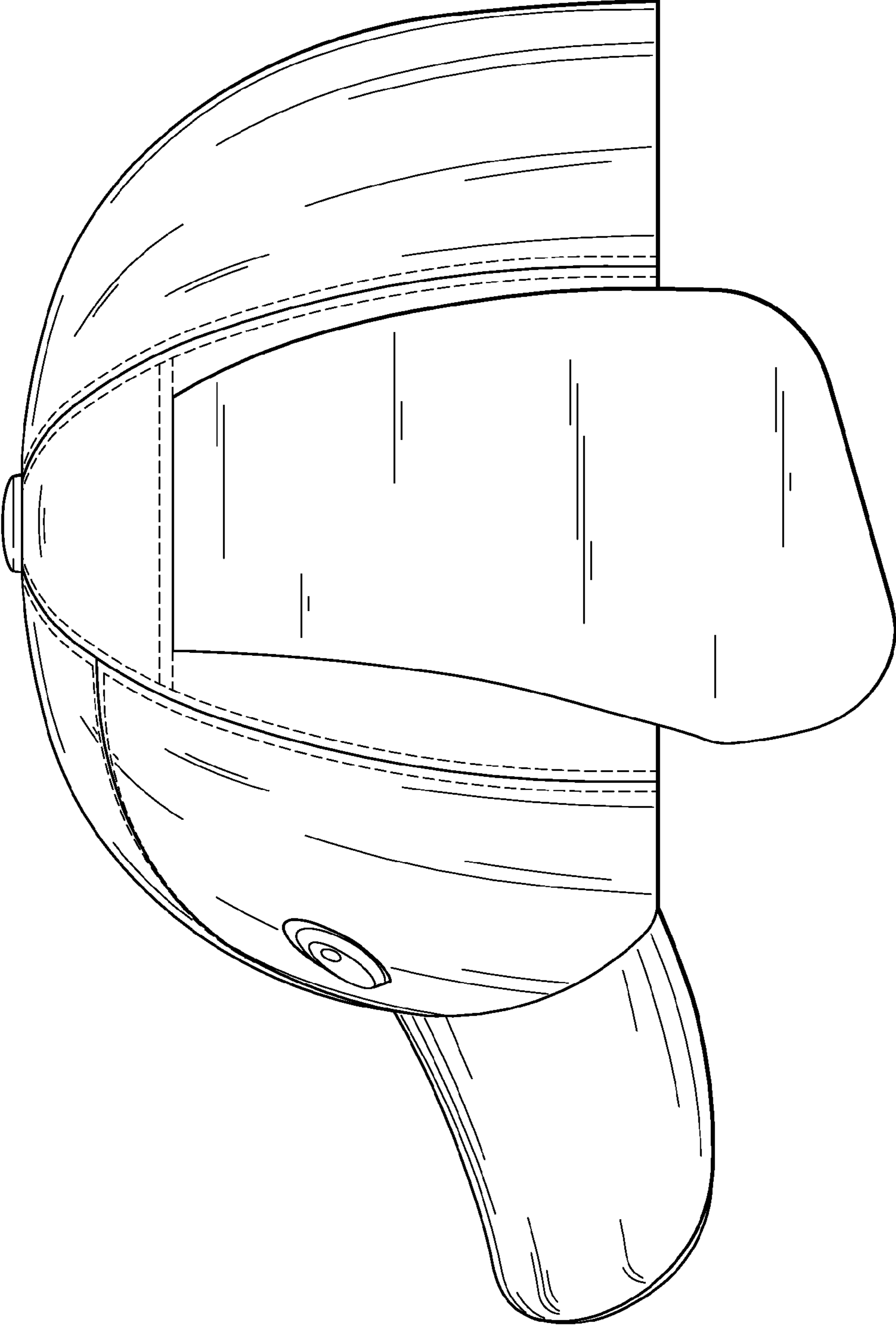


FIG. 6

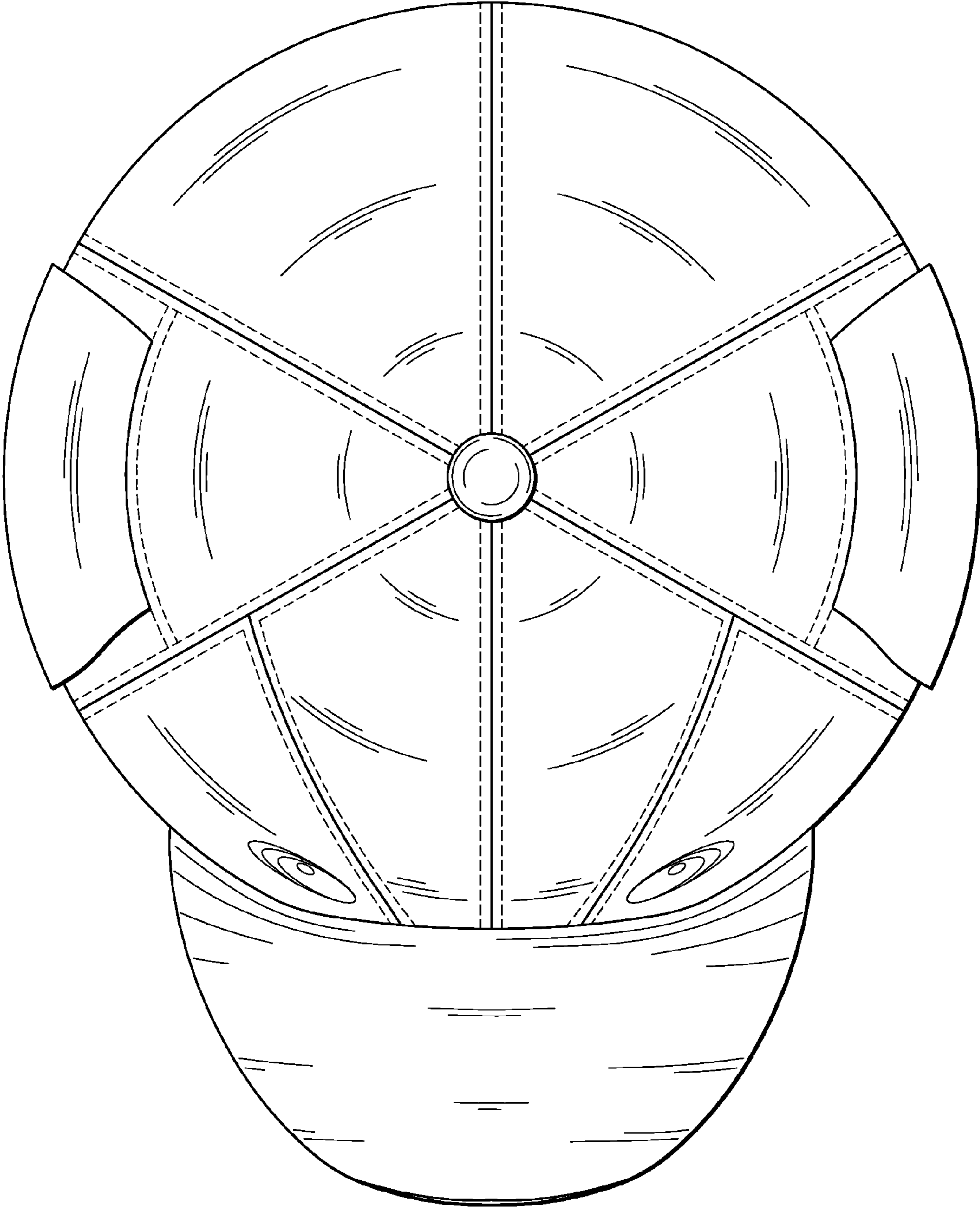


FIG. 7

