



US00D588779S

(12) **United States Design Patent**  
**Winward et al.**

(10) **Patent No.:** **US D588,779 S**  
(45) **Date of Patent:** **\*\* Mar. 24, 2009**

(54) **CANDY BAR**

D557,877 S \* 12/2007 Maly et al. .... D1/125

(75) Inventors: **Laurie Winward**, Chicago, IL (US);  
**Kirk Fujioka**, Hackettstown, NJ (US);  
**Lucille Scudieri**, Township of  
Washington, NJ (US)

FOREIGN PATENT DOCUMENTS

EM 000730163 6/2007

OTHER PUBLICATIONS

(73) Assignee: **MARS, Incorporated**, McLean, VA  
(US)

U.S. Appl. No. 29/318,926, filed May 30, 2008, by Laurie Winward  
et al., entitled "Candy Bar".

\* cited by examiner

(\*\*) Term: **14 Years**

*Primary Examiner*—Cathron C Brooks

*Assistant Examiner*—Barbara Fox

(21) Appl. No.: **29/318,928**

(74) *Attorney, Agent, or Firm*—Arent Fox LLP

(22) Filed: **May 30, 2008**

(57) **CLAIM**

(51) **LOC (9) Cl.** ..... **01-01**

The ornamental design for a candy bar, as shown and  
described.

(52) **U.S. Cl.** ..... **D1/127**

(58) **Field of Classification Search** ..... D1/100–101,  
D1/121, 125, 127–128, 199; D21/386; D24/101,  
D24/104; D28/8.1; 426/76, 103, 122, 144,  
426/660, 512, 515, 383

**DESCRIPTION**

FIG. 1 is a perspective view of a candy bar showing our new  
design;

See application file for complete search history.

FIG. 2 is a top view of the design shown in FIG. 1;

FIG. 3 is a front view of the design shown in FIG. 1;

(56) **References Cited**

U.S. PATENT DOCUMENTS

- 1,690,556 A \* 11/1928 Shapiro ..... 426/139
- D330,794 S \* 11/1992 Kesdekoglu ..... D1/127
- D334,645 S \* 4/1993 Kennedy ..... D1/127
- D360,969 S \* 8/1995 Uecker et al. .... D1/125
- D428,682 S \* 8/2000 Rapaport ..... D1/129
- D522,711 S \* 6/2006 Nakata ..... D1/125
- D522,713 S \* 6/2006 Nakata ..... D1/125

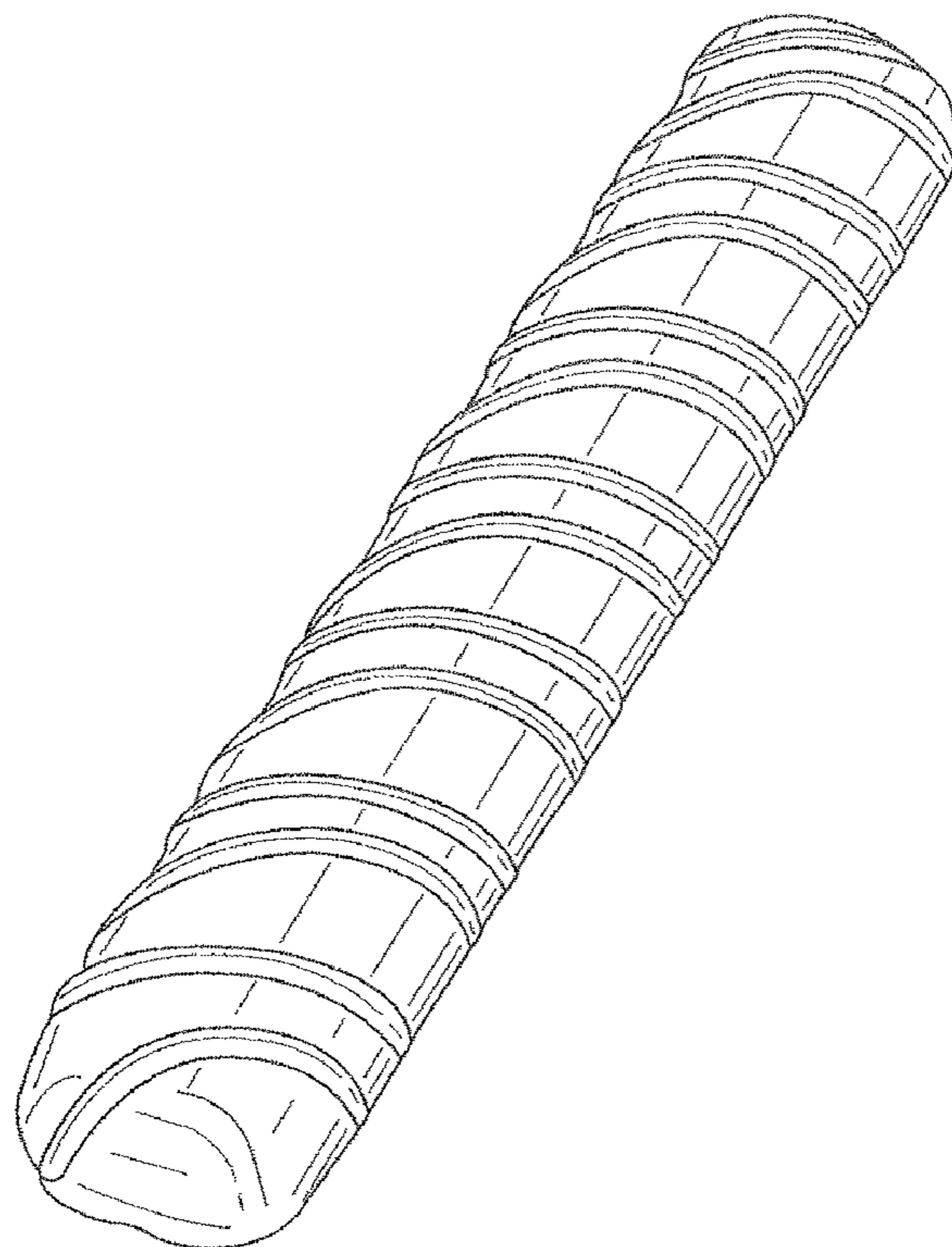
FIG. 4 is a rear view of the design shown in FIG. 1;

FIG. 5 is a left side view of the design shown in FIG. 1; and,

FIG. 6 is a right side view of the design shown in FIG. 1.

The bottom of the candy bar forms no part of the claimed  
design.

**1 Claim, 4 Drawing Sheets**



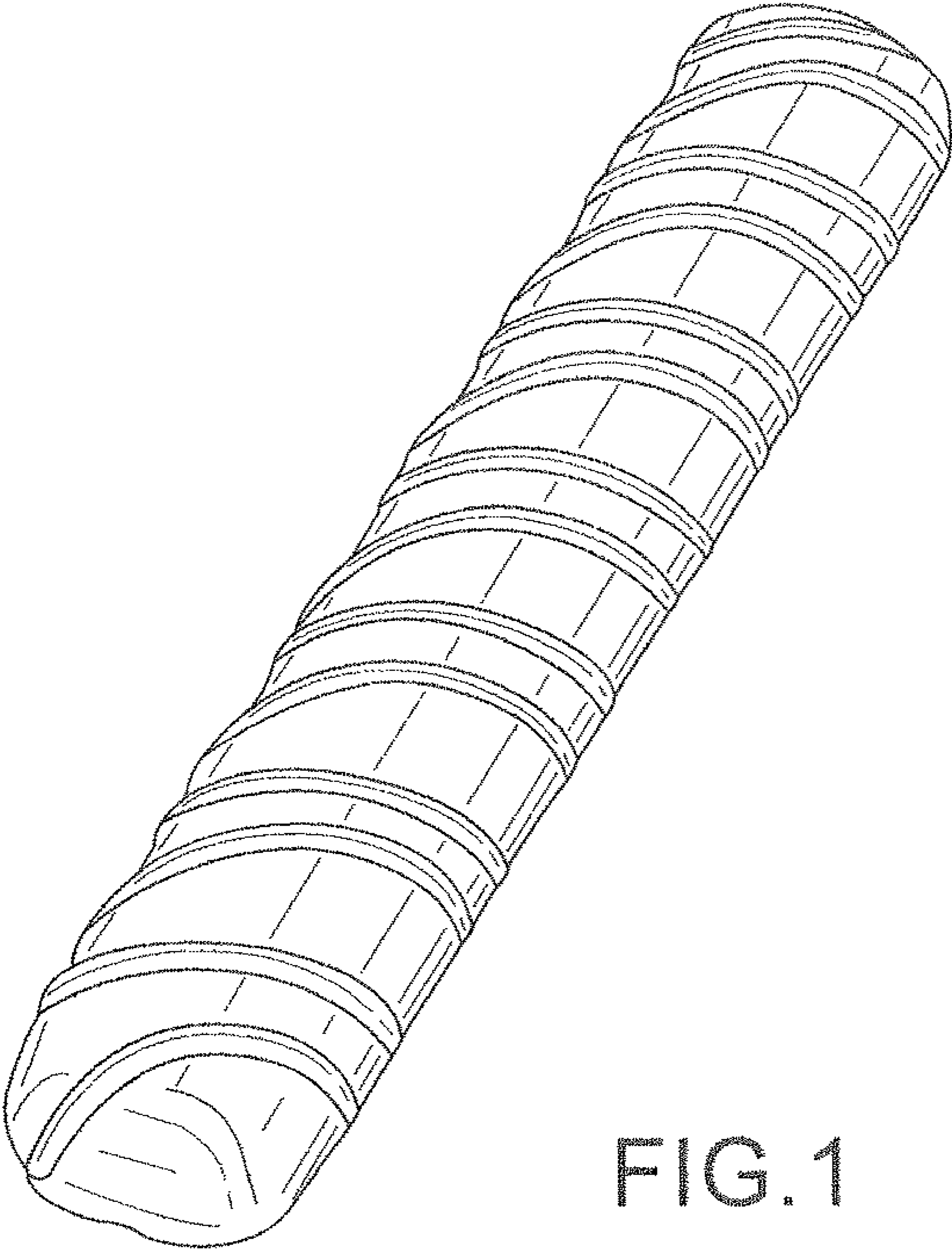


FIG. 1

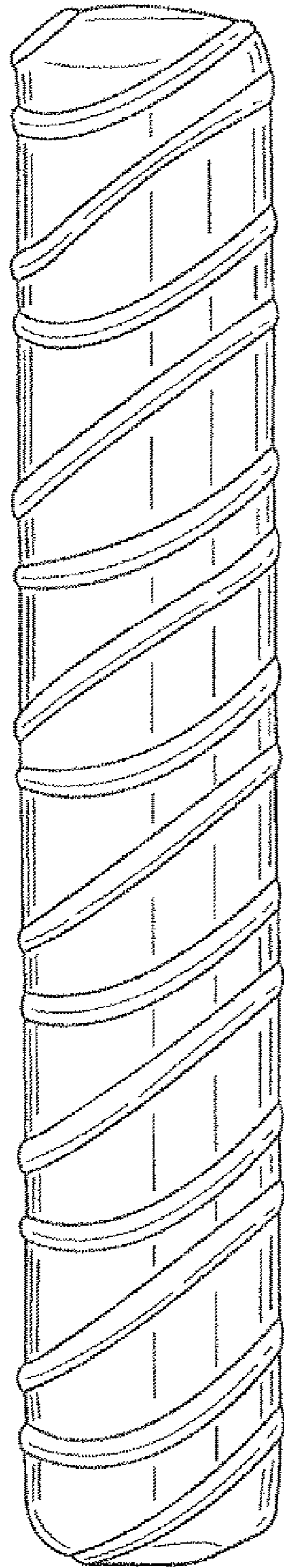


FIG. 2

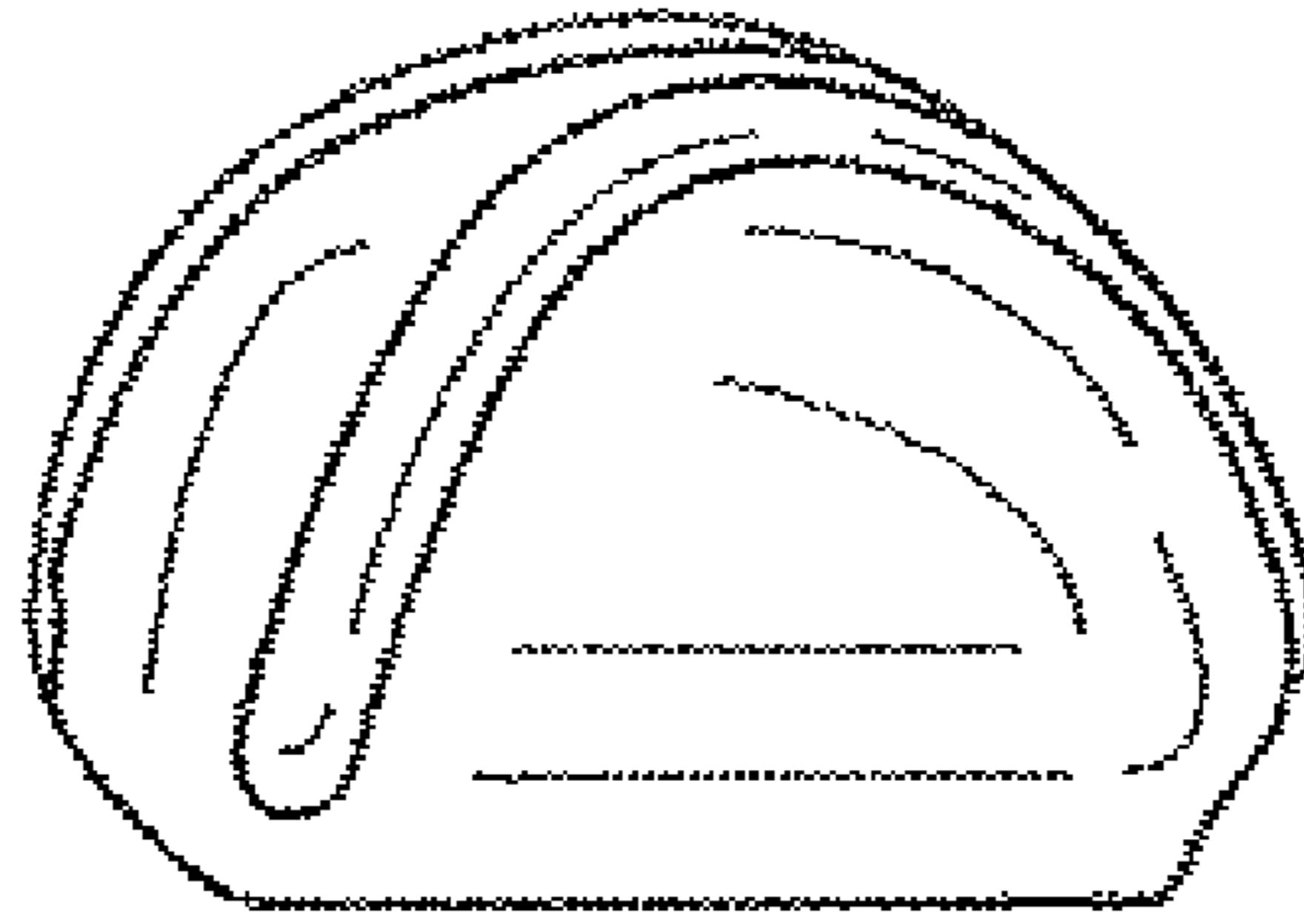


FIG. 3



FIG. 4

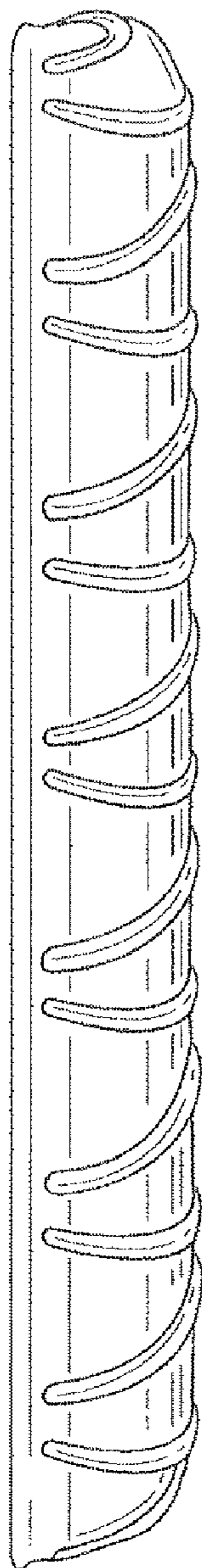


FIG. 5

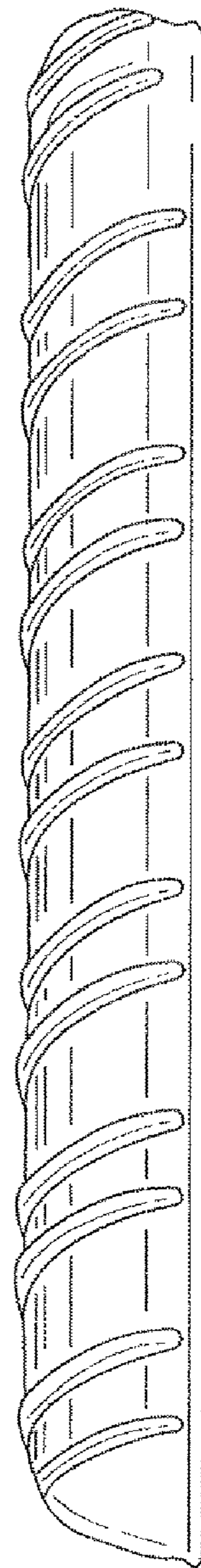


FIG. 6