



US00D588778S

(12) **United States Design Patent**
Winward et al.

(10) **Patent No.:** **US D588,778 S**
(45) **Date of Patent:** **** Mar. 24, 2009**

(54) **CANDY BAR**

D557,877 S * 12/2007 Maly et al. D1/125

(75) Inventors: **Laurie Winward**, Chicago, IL (US);
Kirk Fujioka, Hackettstown, NJ (US);
Lucille Scudieri, Township of
Washington, NJ (US)

FOREIGN PATENT DOCUMENTS

EM 000730163 6/2007

OTHER PUBLICATIONS

(73) Assignee: **MARS, Incorporated**, McLean, VA
(US)

U.S. Appl. No. 29/318,928, filed May 30, 2008, by Laurie Winward et al., entitled "Candy Bar".

* cited by examiner

(**) Term: **14 Years**

Primary Examiner—Cathron C Brooks

Assistant Examiner—Barbara Fox

(21) Appl. No.: **29/318,926**

(74) *Attorney, Agent, or Firm*—Arent Fox LLP

(22) Filed: **May 30, 2008**

(57) **CLAIM**

(51) **LOC (9) Cl.** **01-01**

The ornamental design for a candy bar, as shown and described.

(52) **U.S. Cl.** **D1/127**

(58) **Field of Classification Search** D1/100–101,
D1/121, 125, 127–128, 199; D21/386; D24/101,
D24/104; D28/8.1; 426/76, 103, 122, 144,
426/660, 512, 515, 383

DESCRIPTION

See application file for complete search history.

FIG. 1 is a perspective view of a candy bar showing our new design;

FIG. 2 is a top view of the design shown in FIG. 1;

FIG. 3 is a front view of the design shown in FIG. 1;

FIG. 4 is a rear view of the design shown in FIG. 1;

FIG. 5 is a left side view of the design shown in FIG. 1; and,

FIG. 6 is a right side view of the design shown in FIG. 1.

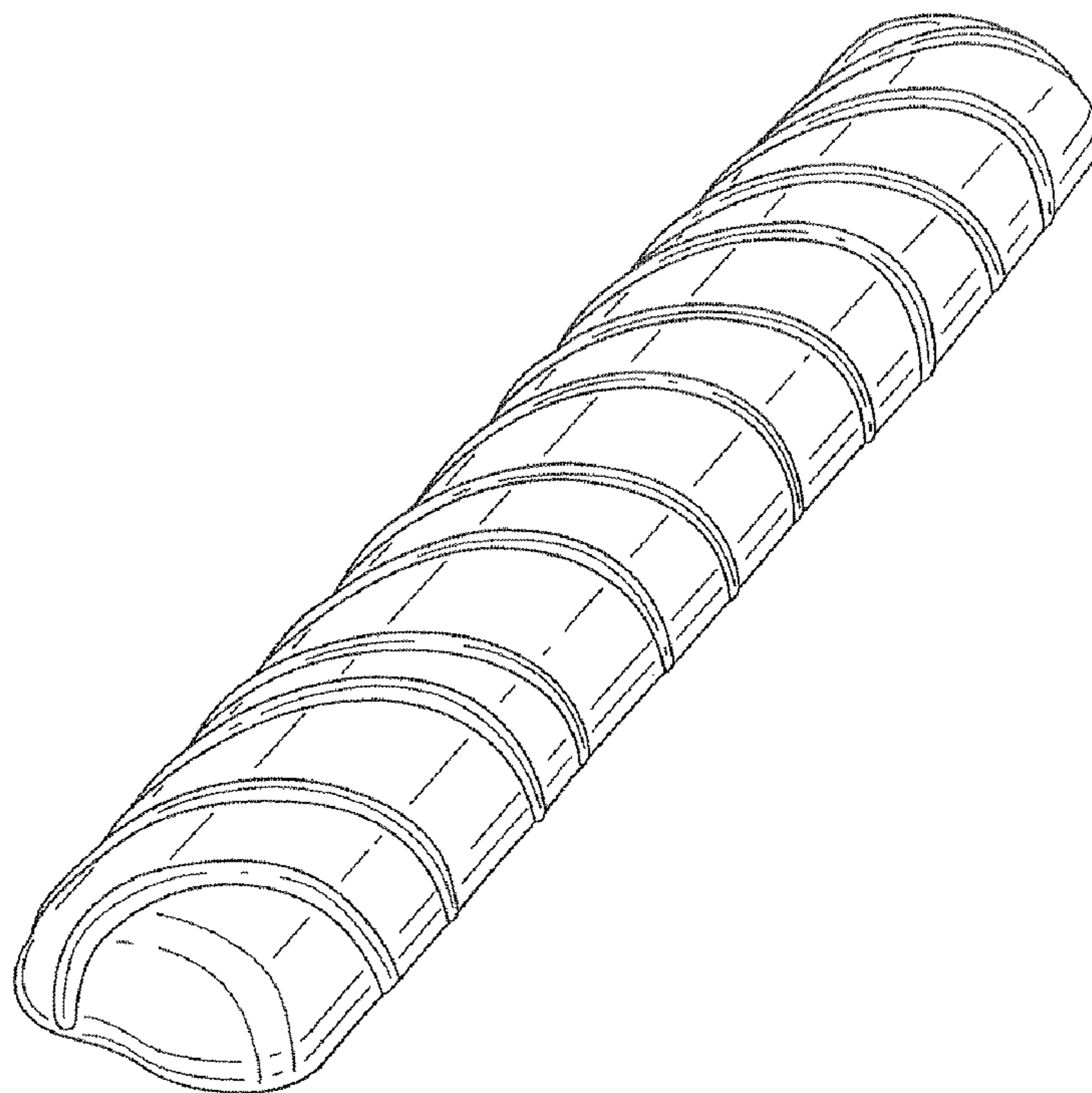
The bottom of the candy bar forms no part of the claimed design.

(56) **References Cited**

U.S. PATENT DOCUMENTS

1,690,556 A *	11/1928	Shapiro	426/139
D330,794 S *	11/1992	Kesdekoglu	D1/127
D334,645 S *	4/1993	Kennedy	D1/127
D360,969 S *	8/1995	Uecker et al.	D1/125
D428,682 S *	8/2000	Rapaport	D1/129
D522,711 S *	6/2006	Nakata	D1/125
D522,713 S *	6/2006	Nakata	D1/125

1 Claim, 4 Drawing Sheets



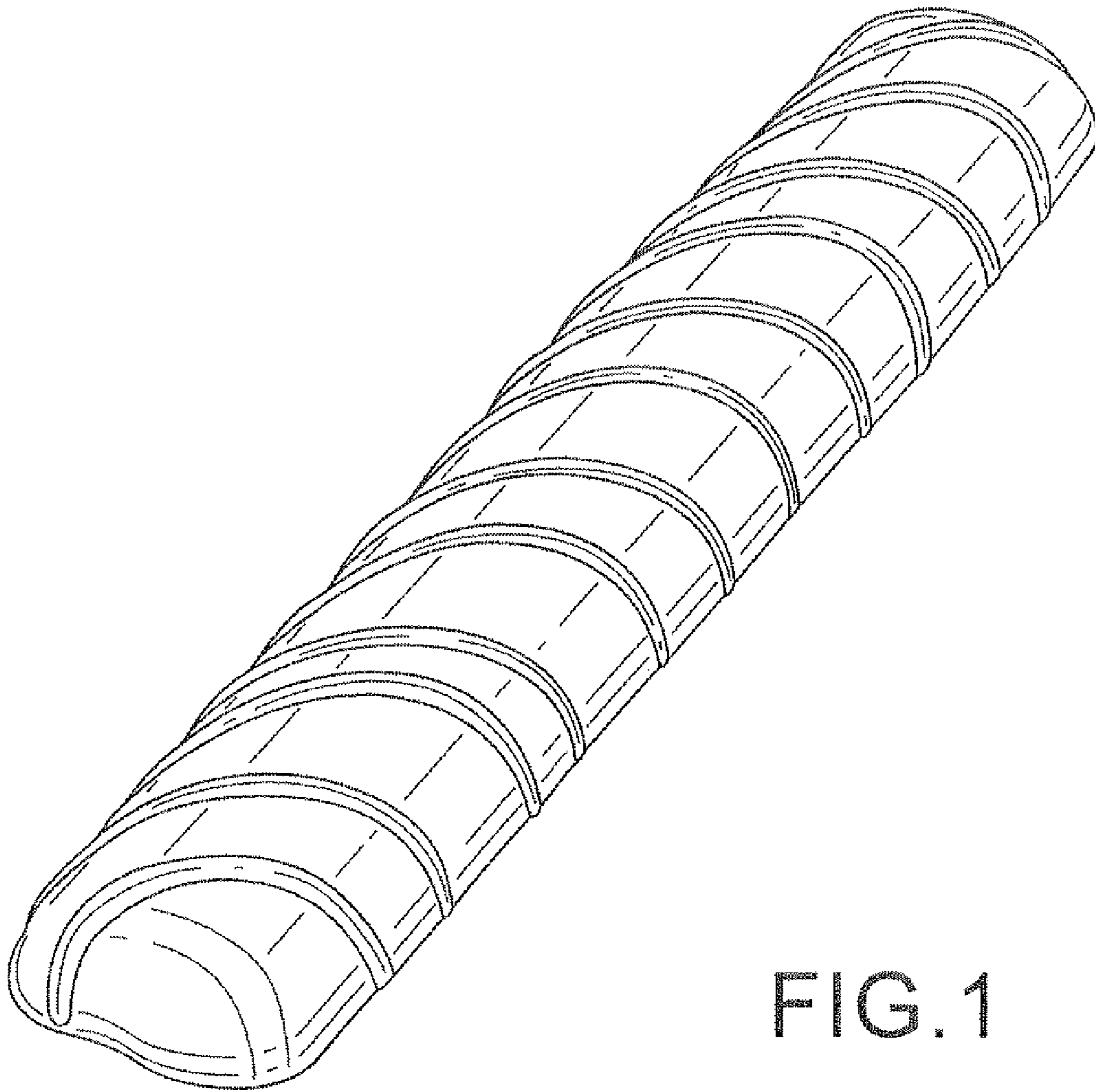


FIG. 1

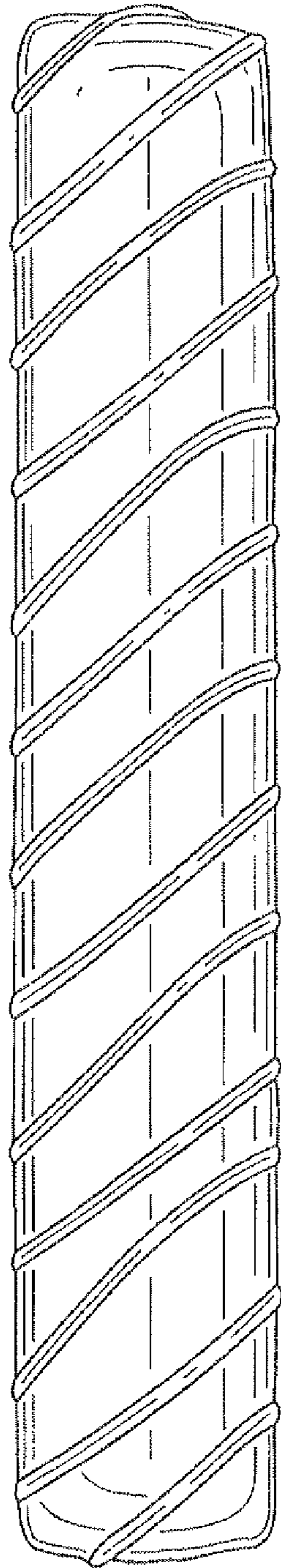


FIG. 2



FIG. 3

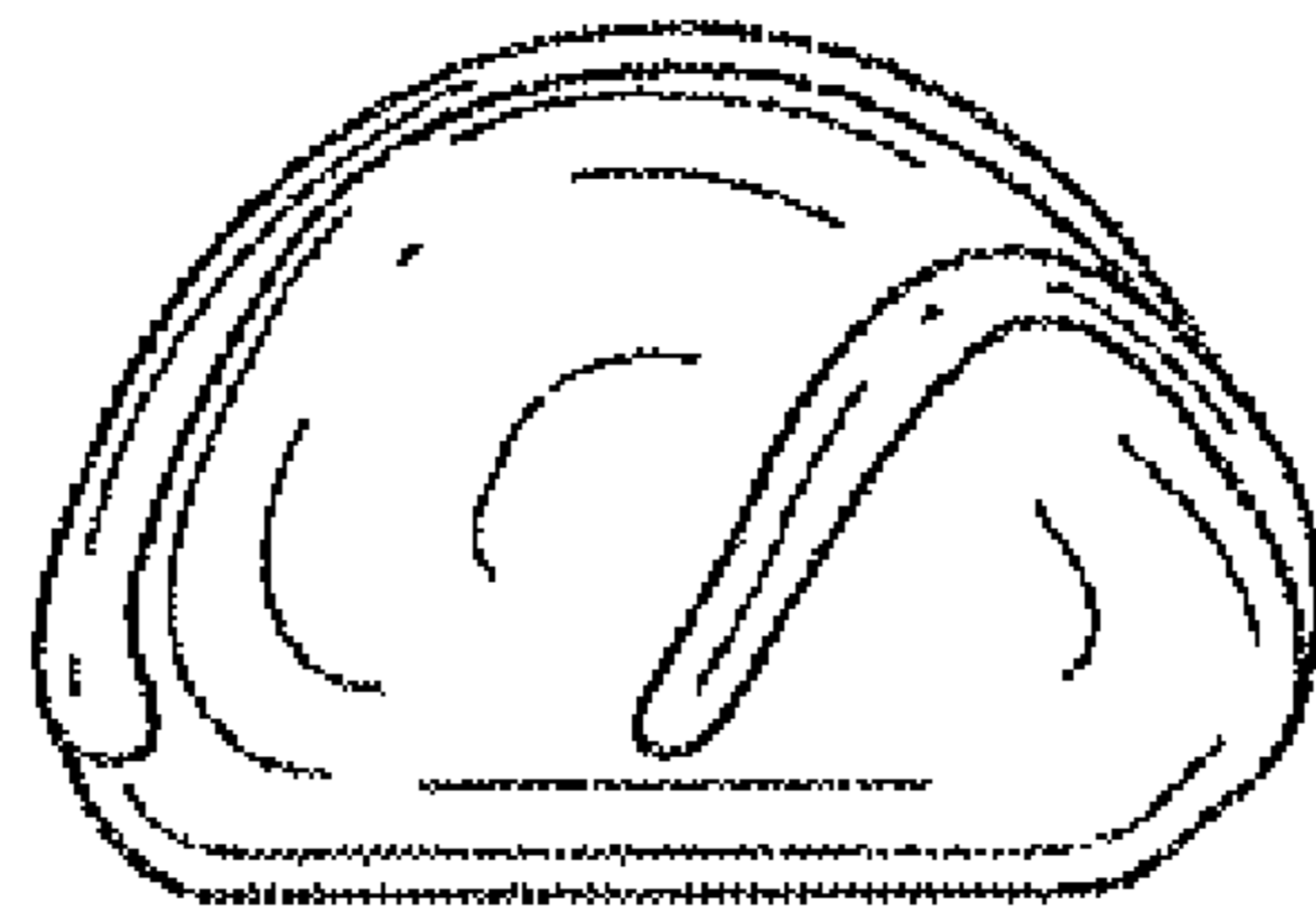


FIG. 4

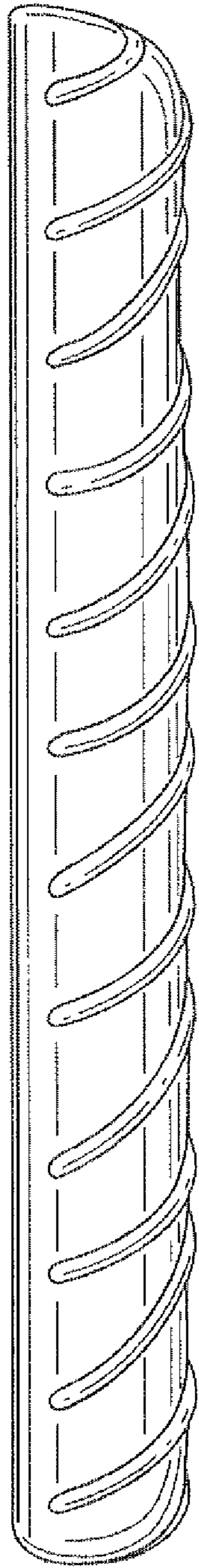


FIG. 5

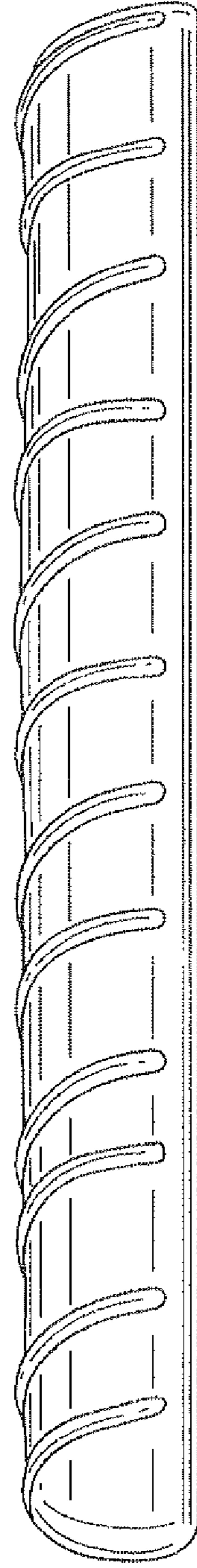


FIG. 6