



US00D588774S

(12) **United States Design Patent**  
**Peota et al.**

(10) **Patent No.:** **US D588,774 S**  
(45) **Date of Patent:** **\*\* Mar. 17, 2009**

(54) **SHOPPING CART SEAT MEMBER**

(75) Inventors: **Robert D. Peota**, Minneapolis, MN (US); **William D. Splain**, Brooklyn Park, MN (US); **Robert D. Tharp**, Belgium, WI (US)

(73) Assignee: **Target Brands, Inc.**, Minneapolis, MN (US)

(\*\*) Term: **14 Years**

(21) Appl. No.: **29/318,811**

(22) Filed: **May 28, 2008**

(51) **LOC (9) Cl.** ..... **12-02**

(52) **U.S. Cl.** ..... **D34/27**

(58) **Field of Classification Search** ..... D34/12-27;  
280/33.991, 33.992, 33.99, 47.34, 79.11,  
280/79.2, 33.997, 33.998, 33.996, 33.995,  
280/47.35, 651, 659, 79.3

See application file for complete search history.

(56) **References Cited**

**U.S. PATENT DOCUMENTS**

D497,253 S	5/1893	Reynolds
D100,402 S	7/1936	Wagner
2,060,468 A	11/1936	Mitchell
2,479,530 A	8/1949	Watson
D155,392 S	10/1949	Danielson
D155,971 S	11/1949	Concklin
D156,701 S	1/1950	Concklin
D156,702 S	1/1950	Concklin
2,527,953 A	10/1950	Muffley
2,860,886 A	11/1958	Schweitzer
2,890,057 A	6/1959	Davis
2,890,059 A	6/1959	Brooks et al.
2,891,801 A	6/1959	Sides
2,906,542 A	9/1959	Hoedinghaus et al.
2,911,227 A	11/1959	Davis
D188,841 S	9/1960	Umanoff

2,952,470 A	9/1960	Lachance et al.
2,963,255 A	12/1960	Bobrick
2,997,311 A	8/1961	Umanoff
3,048,420 A	8/1962	Umanoff

(Continued)

**FOREIGN PATENT DOCUMENTS**

EP 0115439 1/1984

(Continued)

**OTHER PUBLICATIONS**

Edward Mason, "Gas Injection Offers New Opportunities", Canadian Plastics, Nov./Dec. 1988, pp. 42-43.

(Continued)

*Primary Examiner*—Cynthia E Ramirez

(74) *Attorney, Agent, or Firm*—Griffiths & Seaton PLLC

(57) **CLAIM**

The ornamental design for a shopping cart seat member, as shown and described.

**DESCRIPTION**

FIG. 1 is a top, left side, and rear perspective view of a shopping cart seat member of the present disclosure;

FIG. 2 is a rear elevational view thereof;

FIG. 3 is a front elevational view thereof;

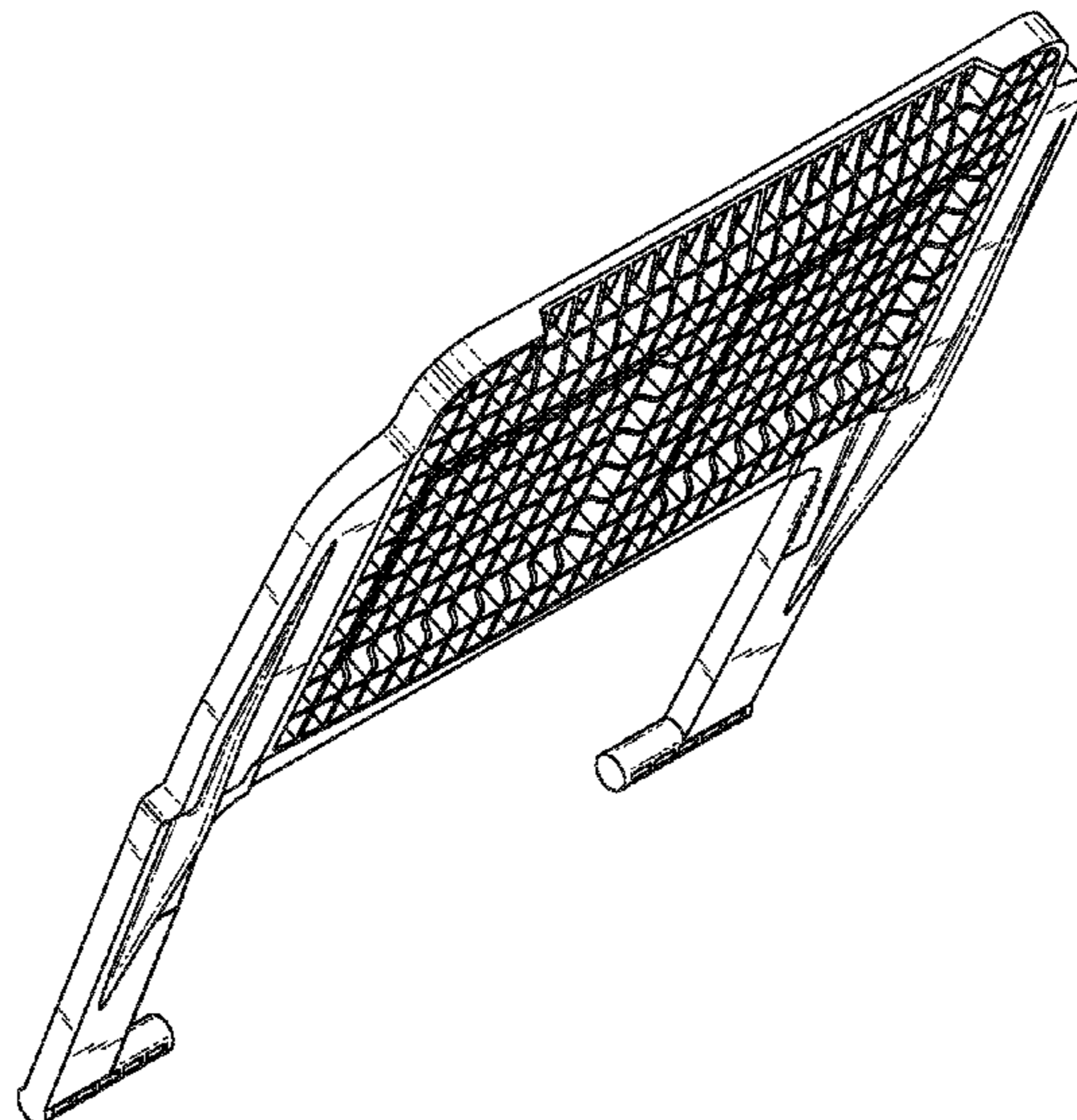
FIG. 4 is a left side elevational view thereof with the right side elevational view being an identical mirror image that is omitted;

FIG. 5 is a top elevational view thereof;

FIG. 6 is a bottom elevational view thereof; and,

FIG. 7 is a top, left side, and rear perspective view thereof and additionally showing broken lines for illustrative purposes but which do not form part of the claimed design.

**1 Claim, 6 Drawing Sheets**



# US D588,774 S

Page 2

U.S. PATENT DOCUMENTS					
			5,331,756 A	7/1994	Rehrig
			5,362,077 A	11/1994	Adamson
			5,368,318 A	11/1994	Rehrig et al.
			D359,828 S	6/1995	Lindberg
			5,423,667 A	6/1995	Jaroschek
			5,441,288 A	8/1995	Rehrig
			5,458,347 A	10/1995	Chiv
			D364,961 S	12/1995	Rehrig
			D367,211 S	2/1996	Cautereels
			5,494,306 A	2/1996	Adamson et al.
			5,494,308 A	2/1996	Southerland
			5,531,581 A	7/1996	Donnell, Jr.
			5,544,904 A	8/1996	Maher
			5,553,877 A	9/1996	Huang
			D377,255 S	1/1997	Rehrig
			5,613,696 A	3/1997	de Luna
			5,630,599 A	5/1997	Adamson et al.
			D382,999 S	9/1997	Rehrig
			D383,671 S	9/1997	Phillips
			D384,815 S	10/1997	Rehrig
			5,707,659 A	1/1998	Erikson
			5,715,968 A	2/1998	Fink et al.
			D395,362 S	6/1998	Fink et al.
			5,770,237 A	6/1998	Sayer et al.
			D397,250 S	8/1998	Fink et al.
			5,791,666 A	8/1998	Mainard
			D400,679 S	11/1998	Kern et al.
			D401,067 S	11/1998	Hampshire
			5,836,596 A	11/1998	Wanzl
			5,865,448 A	2/1999	Kern et al.
			5,871,286 A	2/1999	Kern et al.
			D408,953 S	4/1999	Golichowski et al.
			D411,264 S	6/1999	Huang
			5,915,704 A	6/1999	Segura de Luna
			D412,046 S	7/1999	Rehrig et al.
			5,947,313 A	9/1999	Kern et al.
			5,961,133 A	10/1999	Perry
			6,029,380 A	2/2000	Goddard
			D421,336 S	3/2000	Demore et al.
			6,039,205 A	3/2000	Flink
			D426,365 S	6/2000	Rehrig et al.
			6,075,113 A	6/2000	Masterman et al.
			6,098,998 A	8/2000	Ondrasik
			6,155,580 A	12/2000	Symons
			D438,010 S	2/2001	Drury et al.
			6,186,382 B1	2/2001	Bergin et al.
			D443,968 S	6/2001	Porter
			D444,035 S	6/2001	Austen-Meek
			D444,281 S	6/2001	Gaze et al.
			D445,231 S	7/2001	Porter
			6,270,093 B1	8/2001	Johnson et al.
			D447,688 S	9/2001	Jalet et al.
			D449,102 S	10/2001	Shin
			6,336,249 B1	1/2002	Plumley
			D462,266 S	9/2002	Gittins et al.
			D466,301 S	12/2002	Sofy
			D468,880 S	1/2003	Porter
			D470,292 S	2/2003	Johnson et al.
			6,540,240 B2	4/2003	Nadeau et al.
			D474,603 S	5/2003	Berenguer
			6,572,122 B2	6/2003	Johnson et al.
			6,579,489 B1	6/2003	Thomas
			6,589,458 B2	7/2003	DeCost
			D478,479 S	8/2003	Garvin
			6,644,524 B1	11/2003	Garvin
			6,669,212 B2	12/2003	Porter
			6,705,623 B2	3/2004	Nadeau et al.
			6,736,415 B1	5/2004	Lenihan
			6,749,204 B2	6/2004	Werner
			6,761,364 B2	7/2004	Murar et al.
			6,767,487 B2	7/2004	Pearson
			D496,272 S	9/2004	Jackson et al.
			6,805,365 B2	10/2004	Lantz

6,832,768	B2	12/2004	Duchene et al.	10th Annual SPI Structural Foam Conference, Dave Anderson & Ed Hunerberg, "Structural Web Molding" A New Development in Low Pressure Smooth Surface Technology, Apr. 5, 1982, pp. 48-56.
6,896,844	B2	5/2005	Thomas	John Heasman, "Cinpres-gas-assisted injection moulding", Cinpres Limited, pp. 108-110.
6,926,291	B1	8/2005	Ondrasik	"Cinpress Gas-Injection Case Study", Cinpress Ltd. Brochure.
6,953,546	B2	10/2005	Pearson	Article, "Nitrojection Process Description and Advantages", Sajar Plastics, Inc.
6,966,566	B2	11/2005	Duchene et al.	Article, "New Structural Form Injection Molding With Swirl-Free Smooth Surface and Uniform Solid Skin", Asahi-Dow Limited, Feb. 18, 1981.
6,981,708	B1	1/2006	Tucker et al.	Supercart—Our Products—Grocer web page, available at <a href="http://www.supercart.com/supercart/page.asp?SectionID=2&amp;PageID=5">http://www.supercart.com/supercart/page.asp?SectionID=2&amp;PageID=5</a> ; printed May 13, 2005. (1 page).
6,983,944	B2	1/2006	Bergia	"Engineering and Processing News", Modern Plastics, Mar. 1980, pp. 22, 24.
7,063,337	B2	6/2006	Russell et al.	Plastic shopping cart web page, IPT, Inc., available at <a href="http://www.inplastech.com/Products_EX11575WM_LG.asp">http://www.inplastech.com/Products_EX11575WM_LG.asp</a> ; printed out Jan. 24, 2006. (2 pages).
D530,478	S	10/2006	Splain et al.	The Supercart Hyper Trolley web page, Supercart, available at <a href="http://www.supercart.com/supercart/page.asp?SectionID=2&amp;PageID=3">http://www.supercart.com/supercart/page.asp?SectionID=2&amp;PageID=3</a> ; printed out May 13, 2005. (1 page).
D536,874	S	2/2007	Splain et al.	The Supercart Mid Size Supercart Trolley web page, Supercart, available at <a href="http://www.supercart.com/supercart/page.asp?SectionID=2&amp;PageID=4">http://www.supercart.com/supercart/page.asp?SectionID=2&amp;PageID=4</a> ; printed out May 13, 2005. (1 page).
D540,998	S	4/2007	Splain et al.	The Full Size all-plastic Supercart trolley web page, Supercart, available at <a href="http://www.supercart.com/supercart/page.asp?SectionID=2&amp;PageID=6">http://www.supercart.com/supercart/page.asp?SectionID=2&amp;PageID=6</a> ; printed out May 13, 2005. (2 pages).
D546,021	S	7/2007	Splain et al.	Photo of Cart Icon from Greeley, Colorado, icon on public display 2nd Quarter 2004.
7,237,782	B2	7/2007	Tucker et al.	Photo (pp. 2) of SuperCart Shopping Trolley at Euroshop Tradeshow in Dusseldorf, Germany in Feb. 19-23, 2005.
D550,423	S	9/2007	Splain et al.	ARRK Prototype Brochure (pp. 2) documenting Supercart Trolley display in Feb. 19-23, 2005.
D556,413	S	11/2007	Splain et al.	Photo A of Handbasket on display at Euroshop Tradeshow in Dusseldorf, Germany in Feb. 19-23, 2005.
D564,229	S	3/2008	Splain et al.	Photo B of Handbasket on display at Euroshop Tradeshow in Dusseldorf, Germany in Feb. 19-23, 2005.
7,384,049	B2	6/2008	Peota et al.	Pending U.S. Appl. No. 11/231,283, inventor Peota et al., filed Sep. 19, 2005.
7,398,976	B2	7/2008	Splain et al.	Pending U.S. Appl. No. 11/231,307, inventor Splain et al., filed Sep. 19, 2005.
D575,472	S	8/2008	Splain et al.	Pending U.S. Appl. No. 11/231,313, inventor Splain et al., filed Sep. 19, 2005.
7,407,169	B2	8/2008	Splain et al.	Pending U.S. Appl. No. 11/231,343, inventor Splain et al., filed Sep. 19, 2005.
7,410,178	B2	8/2008	Splain et al.	Pending U.S. Appl. No. 11/231,344, inventor Splain et al., filed Sep. 19, 2005.
7,416,194	B2	8/2008	Splain et al.	Pending U.S. Appl. No. 11/231,364, inventor Splain et al., filed Sep. 19, 2005.
2002/0135144	A1	9/2002	Murar et al.	Pending U.S. Appl. No. 29/280,573, filed May 31, 2007, and entitled "Shopping Cart".
2003/0116933	A1	6/2003	Nadeau et al.	Pending U.S. Appl. No. 29/296,975, filed Oct. 31, 2007, and entitled "Shopping Cart".
2003/0151217	A1	8/2003	Trubiano	US 5,201,134, 04/1993, Rehrig et al. (withdrawn)
2004/0046341	A1	3/2004	Wilkinson	
2004/0104549	A1	6/2004	Bergia	
2004/0239059	A1	12/2004	Duchene et al.	
2005/0103797	A1	5/2005	Rader et al.	
2005/0189360	A1	9/2005	Loucks et al.	
2006/0049591	A1	3/2006	Pennell	
2008/0111328	A1	5/2008	Ryan et al.	

FOREIGN PATENT DOCUMENTS

EP	0161108	3/1985
EP	0161890	3/1985
WO	WO9302903	2/1993
WO	WO9311018	6/1993
WO	WO9503201	2/1995
WO	9526897 A1	10/1995
WO	WO9604161	2/1996
WO	WO9730880	8/1997

OTHER PUBLICATIONS

"Two Breakthroughs in Smooth Surface Finish for Structural Foam . . .", Injection Molding News Brief, vol. VIII, No. 43, Oct. 24, 1979.

Cashiers' Pressure Process, A Revolutionary Development in Structural Foam Molding, Cashiers Plastic, Oct. 1981.

Steve Ham, "Structural Plastics, Fundamentals of Structural Plastics", Plastics Engineering, Jun. 2001, pp. 46-57.

Hoover Universal Brochure, "Structural Web gives you quality finish at reduced cost." Apr. 1984.

10th Annual SPI Structural Foam Conference, Dave Anderson & Ed Hunerberg, "Structural Web Molding" A New Development in Low Pressure Smooth Surface Technology, Apr. 5, 1982, pp. 48-56.

John Heasman, "Cinpres-gas-assisted injection moulding", Cinpres Limited, pp. 108-110.

"Cinpress Gas-Injection Case Study", Cinpress Ltd. Brochure.

Article, "Nitrojection Process Description and Advantages", Sajar Plastics, Inc.

Article, "New Structural Form Injection Molding With Swirl-Free Smooth Surface and Uniform Solid Skin", Asahi-Dow Limited, Feb. 18, 1981.

Supercart—Our Products—Grocer web page, available at <http://www.supercart.com/supercart/page.asp?SectionID=2&PageID=5>; printed May 13, 2005. (1 page).

"Engineering and Processing News", Modern Plastics, Mar. 1980, pp. 22, 24.

Plastic shopping cart web page, IPT, Inc., available at [http://www.inplastech.com/Products\\_EX11575WM\\_LG.asp](http://www.inplastech.com/Products_EX11575WM_LG.asp); printed out Jan. 24, 2006. (2 pages).

The Supercart Hyper Trolley web page, Supercart, available at <http://www.supercart.com/supercart/page.asp?SectionID=2&PageID=3>; printed out May 13, 2005. (1 page).

The Supercart Mid Size Supercart Trolley web page, Supercart, available at <http://www.supercart.com/supercart/page.asp?SectionID=2&PageID=4>; printed out May 13, 2005. (1 page).

The Full Size all-plastic Supercart trolley web page, Supercart, available at <http://www.supercart.com/supercart/page.asp?SectionID=2&PageID=6>; printed out May 13, 2005. (2 pages).

Photo of Cart Icon from Greeley, Colorado, icon on public display 2nd Quarter 2004.

Photo (pp. 2) of SuperCart Shopping Trolley at Euroshop Tradeshow in Dusseldorf, Germany in Feb. 19-23, 2005.

ARRK Prototype Brochure (pp. 2) documenting Supercart Trolley display in Feb. 19-23, 2005.

Photo A of Handbasket on display at Euroshop Tradeshow in Dusseldorf, Germany in Feb. 19-23, 2005.

Photo B of Handbasket on display at Euroshop Tradeshow in Dusseldorf, Germany in Feb. 19-23, 2005.

Pending U.S. Appl. No. 11/231,283, inventor Peota et al., filed Sep. 19, 2005.

Pending U.S. Appl. No. 11/231,307, inventor Splain et al., filed Sep. 19, 2005.

Pending U.S. Appl. No. 11/231,313, inventor Splain et al., filed Sep. 19, 2005.

Pending U.S. Appl. No. 11/231,343, inventor Splain et al., filed Sep. 19, 2005.

Pending U.S. Appl. No. 11/231,344, inventor Splain et al., filed Sep. 19, 2005.

Pending U.S. Appl. No. 11/231,364, inventor Splain et al., filed Sep. 19, 2005.

Pending U.S. Appl. No. 29/280,573, filed May 31, 2007, and entitled "Shopping Cart".

Pending U.S. Appl. No. 29/296,975, filed Oct. 31, 2007, and entitled "Shopping Cart".

US 5,201,134, 04/1993, Rehrig et al. (withdrawn)

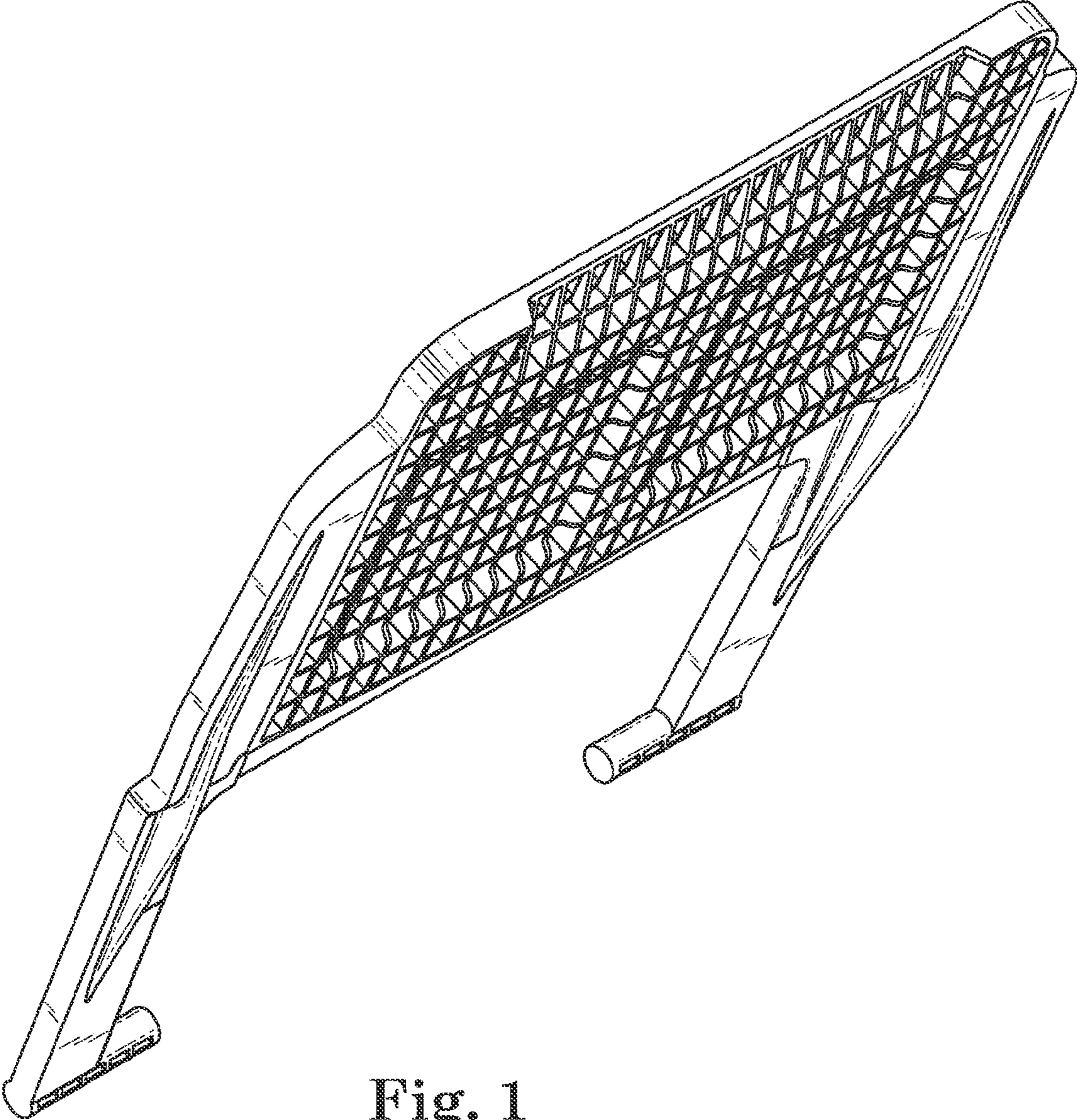


Fig. 1

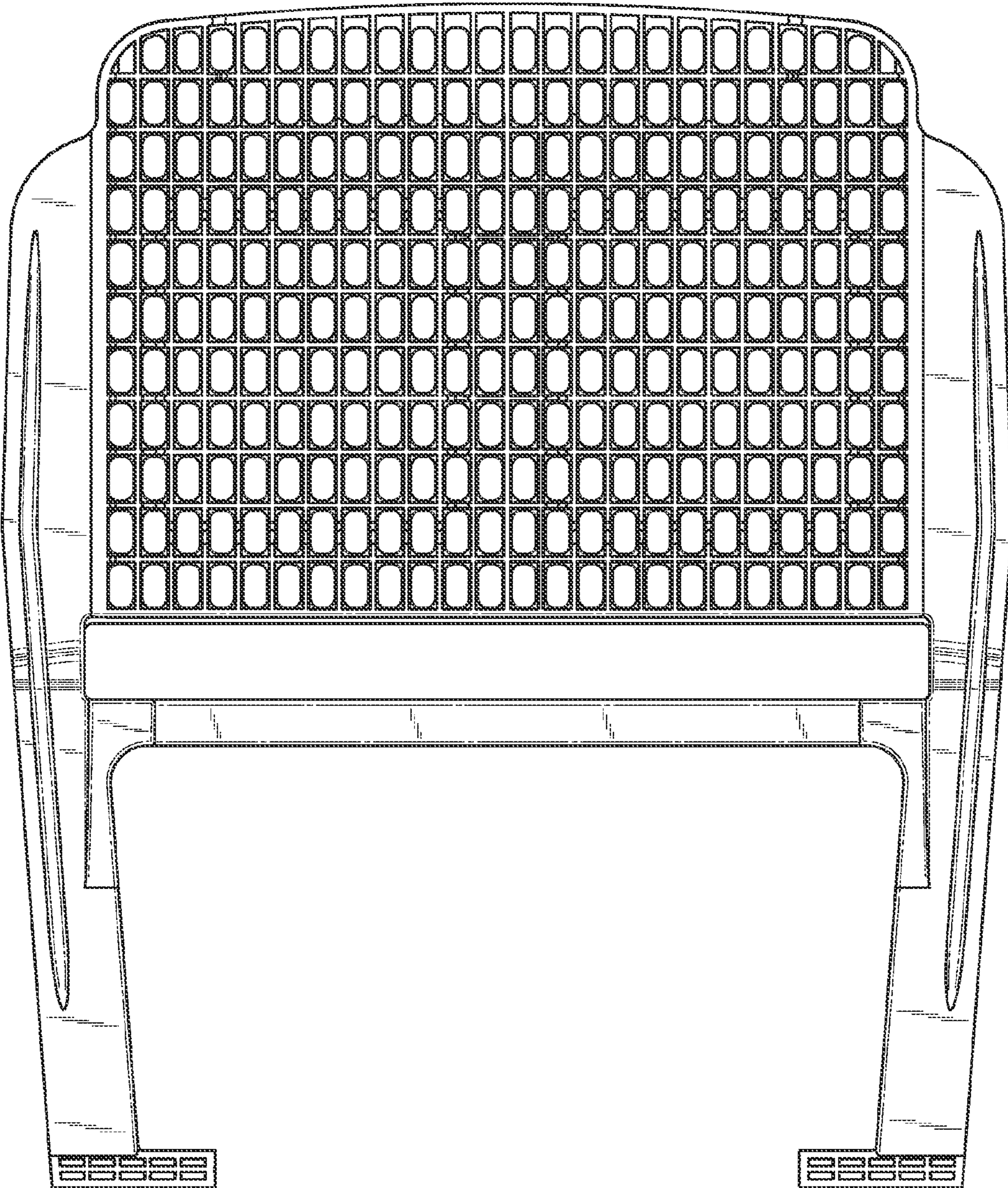


Fig. 2

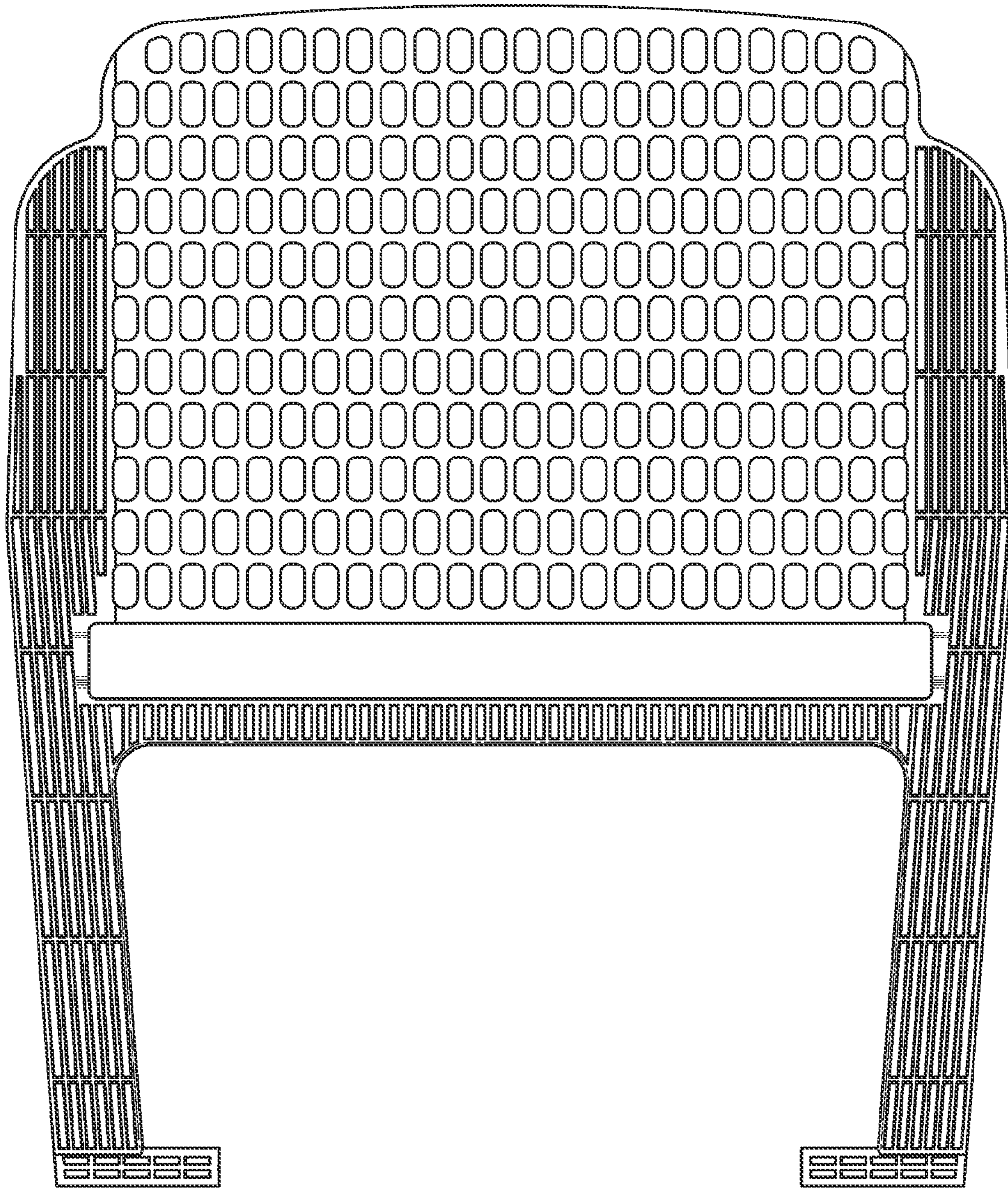


Fig. 3



Fig. 4

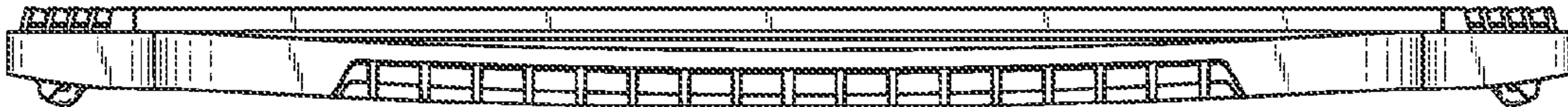


Fig. 5



Fig. 6



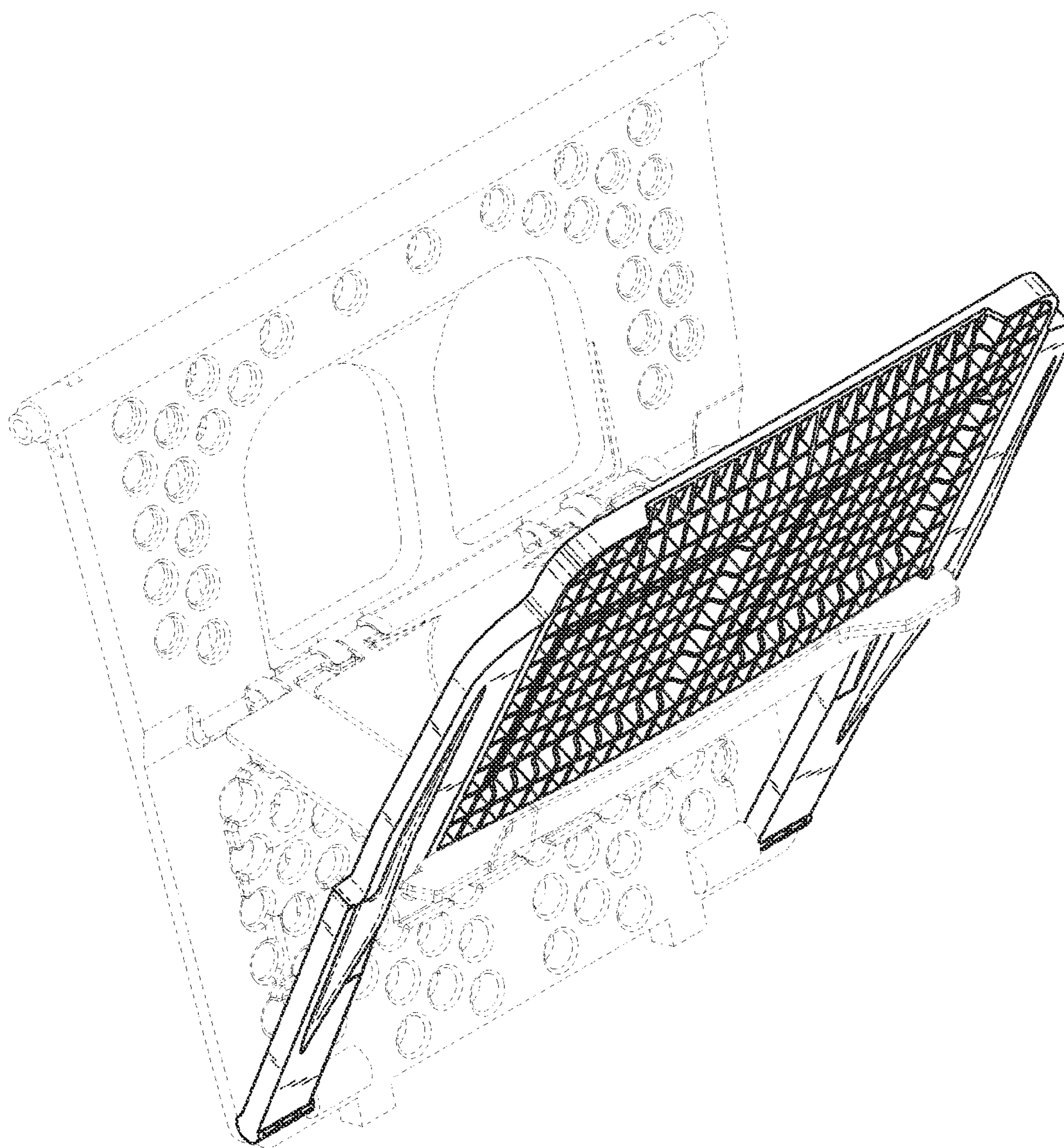


Fig. 7