



US00D588773S

(12) **United States Design Patent**
Cona et al.

(10) **Patent No.:** **US D588,773 S**
(45) **Date of Patent:** **** Mar. 17, 2009**

(54) **PORTABLE CARPENTRY WORKSHOP WITH SLIDING SUPPORTS FOR A TABLE SAW AND A MITER SAW**

(75) Inventors: **Fred Cona**, Brooklyn, NY (US); **Peter Reuss**, Bayshore, NY (US)

(73) Assignee: **Rolling Trades, Inc.**, Brooklyn, NY (US)

(**) Term: **14 Years**

(21) Appl. No.: **29/317,987**

(22) Filed: **May 12, 2008**

(51) **LOC (9) Cl.** **12-02**

(52) **U.S. Cl.** **D34/20**

(58) **Field of Classification Search** D34/12-27;
280/79.11, 79.2, 79.3, 33.991, 47.35, 47.37,
280/33.998

See application file for complete search history.

(56) **References Cited**

U.S. PATENT DOCUMENTS

D171,629 S * 3/1954 Williams et al. D7/347

(Continued)

Primary Examiner—Cynthia E Ramirez

(74) *Attorney, Agent, or Firm*—Boris Leschinsky

(57) **CLAIM**

The ornamental design of a portable carpentry workshop with sliding supports for a table saw and a miter saw, as shown and described.

DESCRIPTION

FIG. 1 is an all-closed top right isometric view of the carpentry workshop of the invention from its front;

FIG. 2 is an all-closed top left isometric view of the carpentry workshop of the invention from its front;

FIG. 3 is an all-closed rear isometric view of the carpentry workshop of the invention, encircled detail showing the pull pin is shown on FIG. 17;

FIG. 4 is an all-closed left side view of the carpentry workshop of the invention;

FIG. 5 is an all-closed front view of the carpentry workshop of the invention;

FIG. 6 is a top left isometric view of the carpentry workshop of the invention without the table saw;

FIG. 7 is an all-open top right isometric view of the carpentry workshop of the invention from its front;

FIG. 8 is an all-open rear isometric view of the carpentry workshop of the invention;

FIG. 9 is an all-open front view of the carpentry workshop of the invention;

FIG. 10 is an all-open right side view of the carpentry workshop of the invention;

FIG. 11 is a top right isometric view of the carpentry workshop of the invention showing the table saw in its centered position;

FIG. 12 is the side view of the same;

FIG. 13 is a top right isometric view of the carpentry workshop with the table saw shifted to the right;

FIG. 14 is the side view of the same;

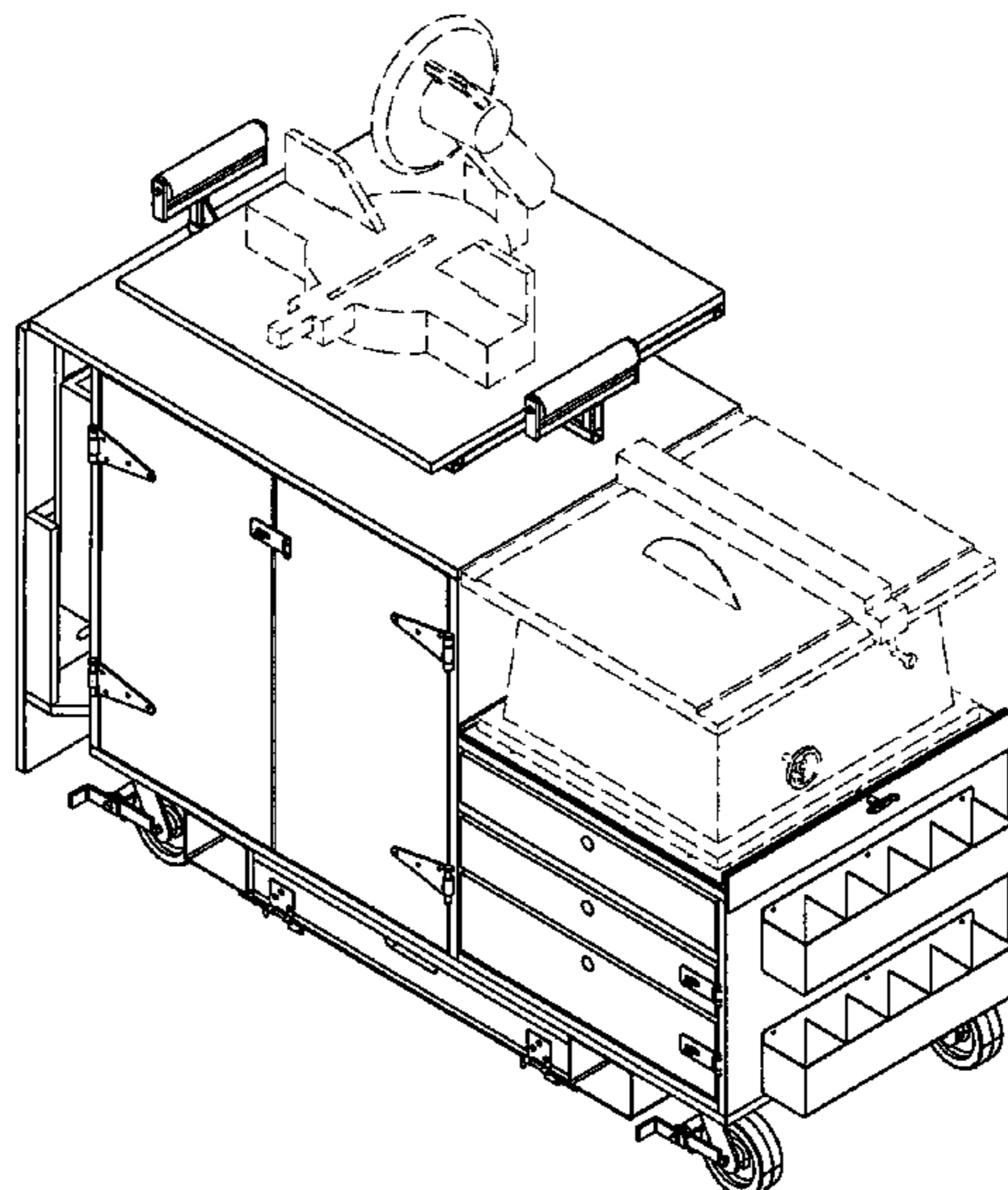
FIG. 15 is a top right isometric view of the carpentry workshop with the table saw shifted to the left; and

FIG. 16 is the side view of the same; and,

FIG. 17 shows an enlargement of the encircled detail on FIG. 3 illustrating the pull pin.

The broken lines shown in the drawings are for illustrative purposes only and form no part of the claimed design.

1 Claim, 17 Drawing Sheets



US D588,773 S

Page 2

U.S. PATENT DOCUMENTS

D180,589 S *	7/1957	Ellison	D34/13	D448,135 S *	9/2001	Petro	D34/21
D205,523 S *	8/1966	Doman	D34/19	D489,155 S *	4/2004	Underbrink	D34/14
D232,166 S *	7/1974	Salsgiver	D34/19	D536,202 S *	2/2007	Mehmen et al.	D6/509
D240,629 S *	7/1976	Cope	D24/177	D546,017 S *	7/2007	Wise	D34/19
D273,906 S *	5/1984	Norlin	D34/19	D574,570 S *	8/2008	Tsai	D34/12
5,290,058 A *	3/1994	Adams et al.	280/651	2005/0140106 A1 *	6/2005	Huguet	280/79.3
6,203,036 B1 *	3/2001	LaVaute et al.	280/79.3	2007/0096416 A1 *	5/2007	Webster	280/79.3

* cited by examiner

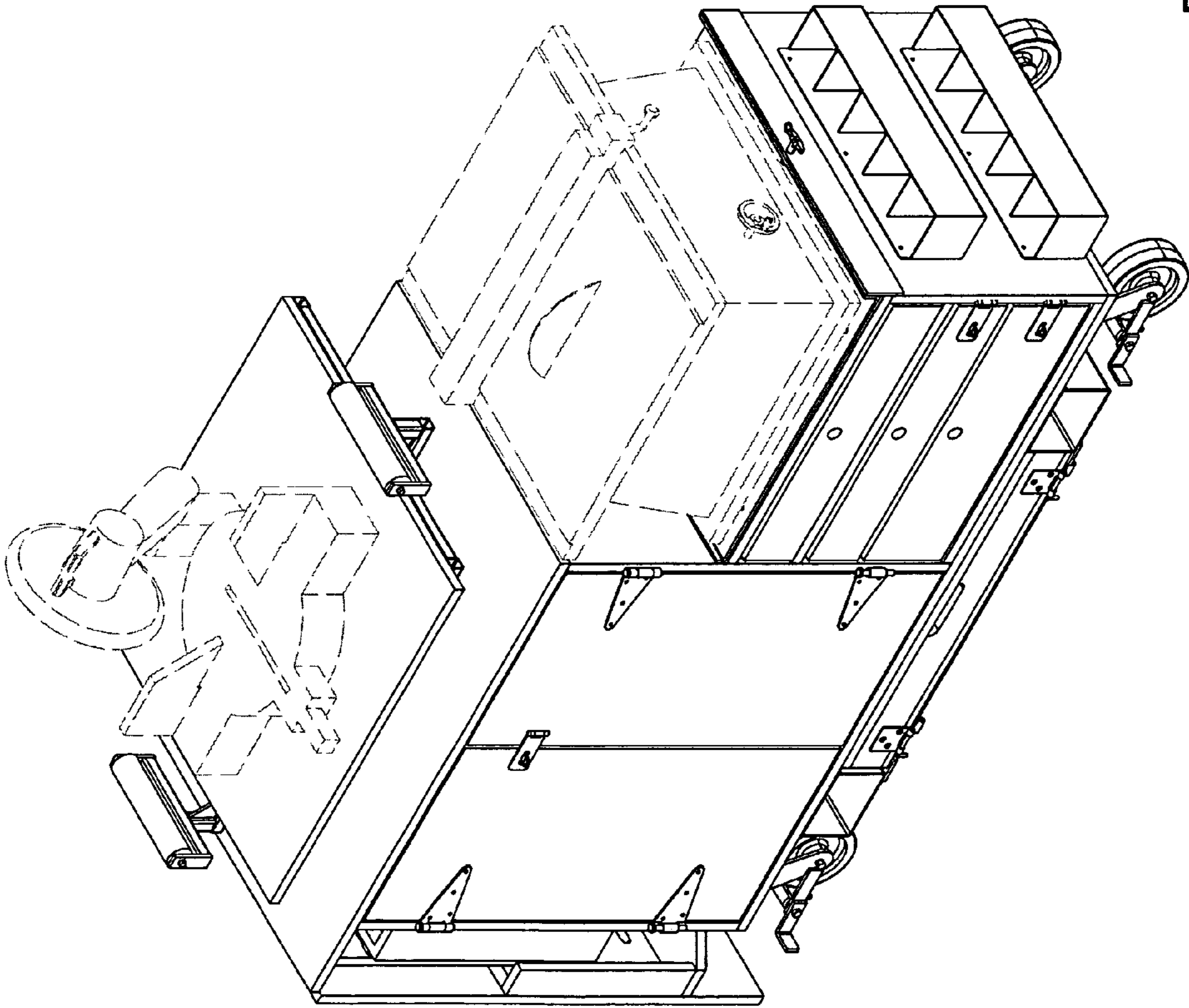


FIG. 1

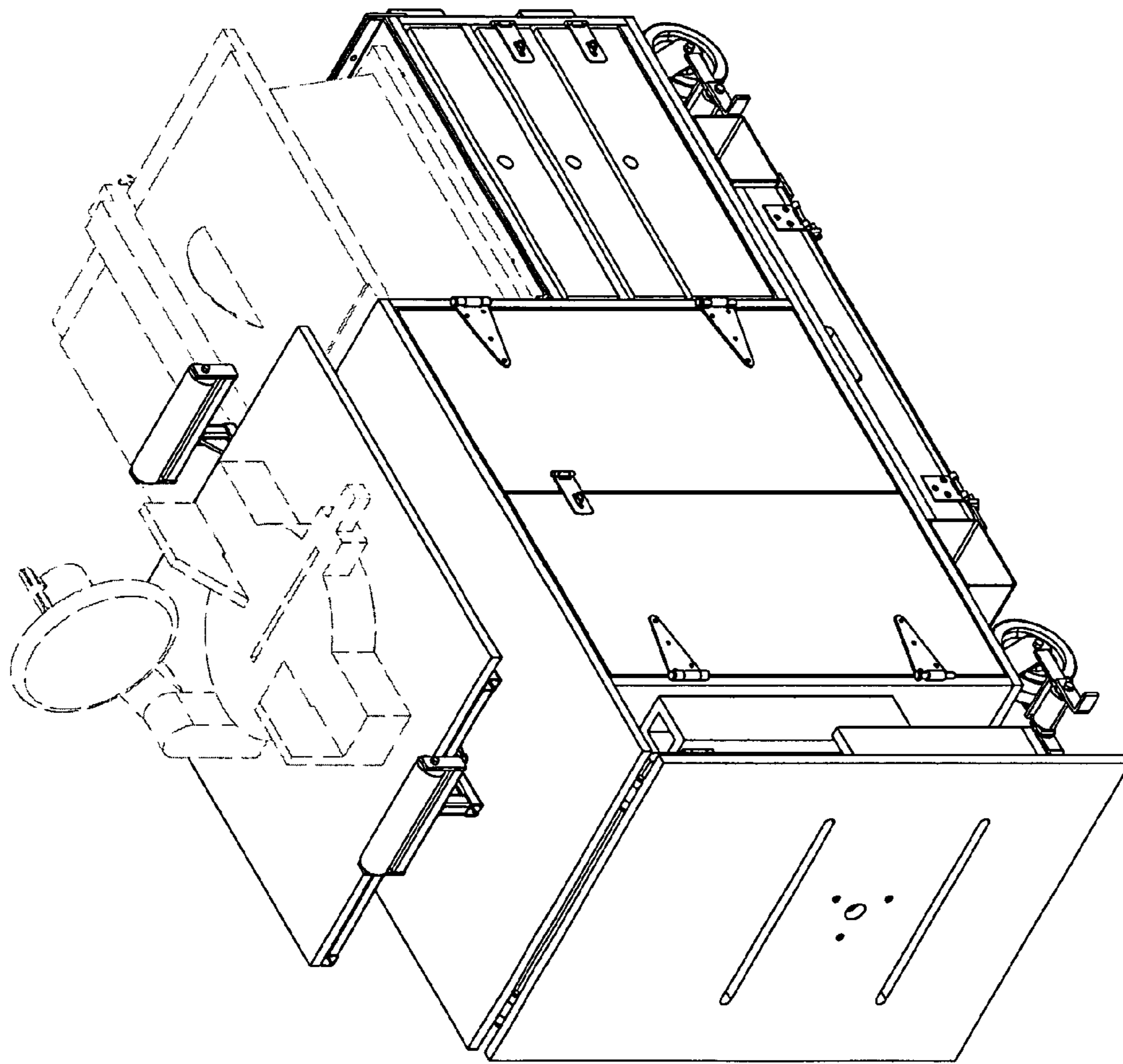
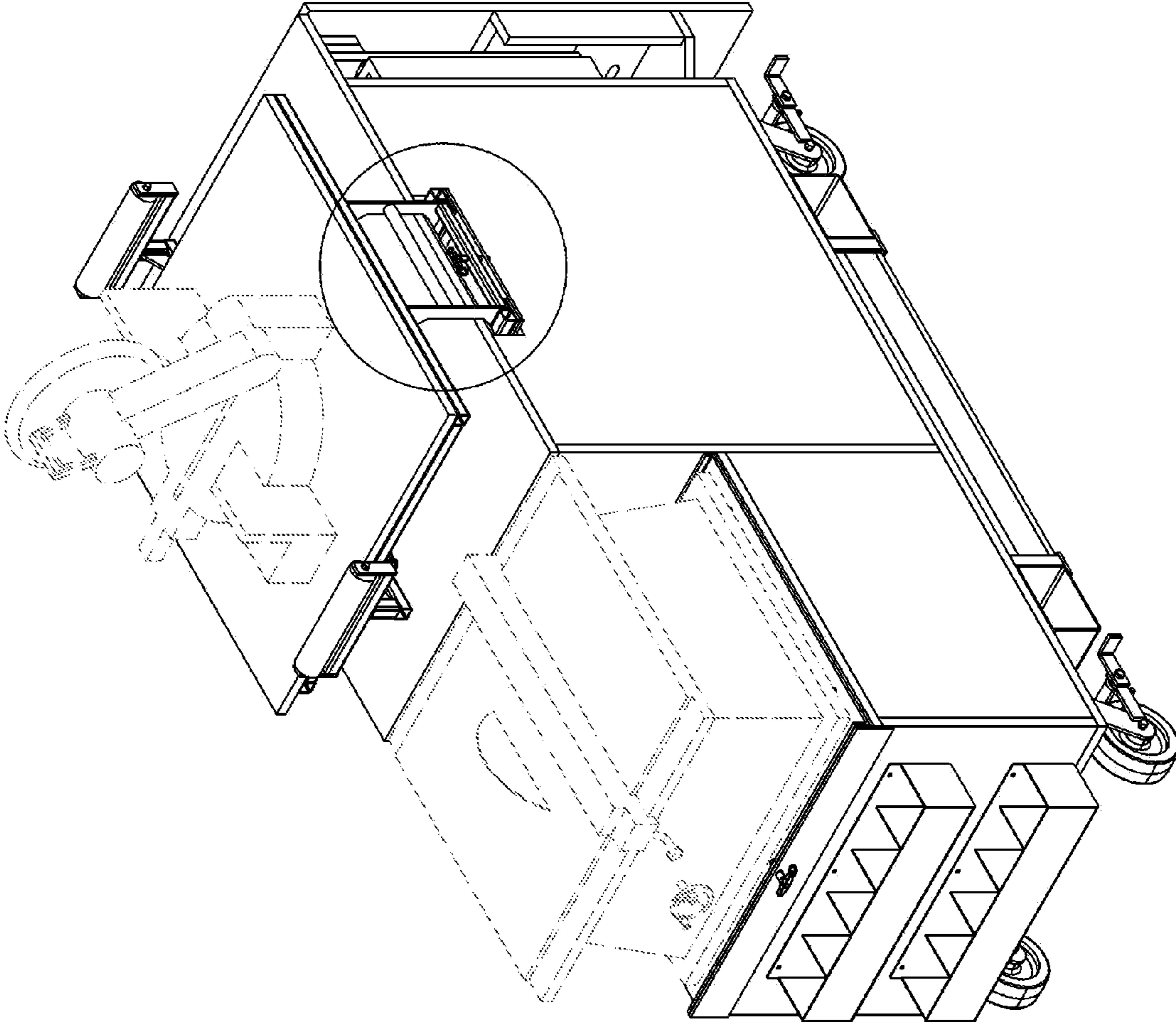


FIG. 2

FIG. 3



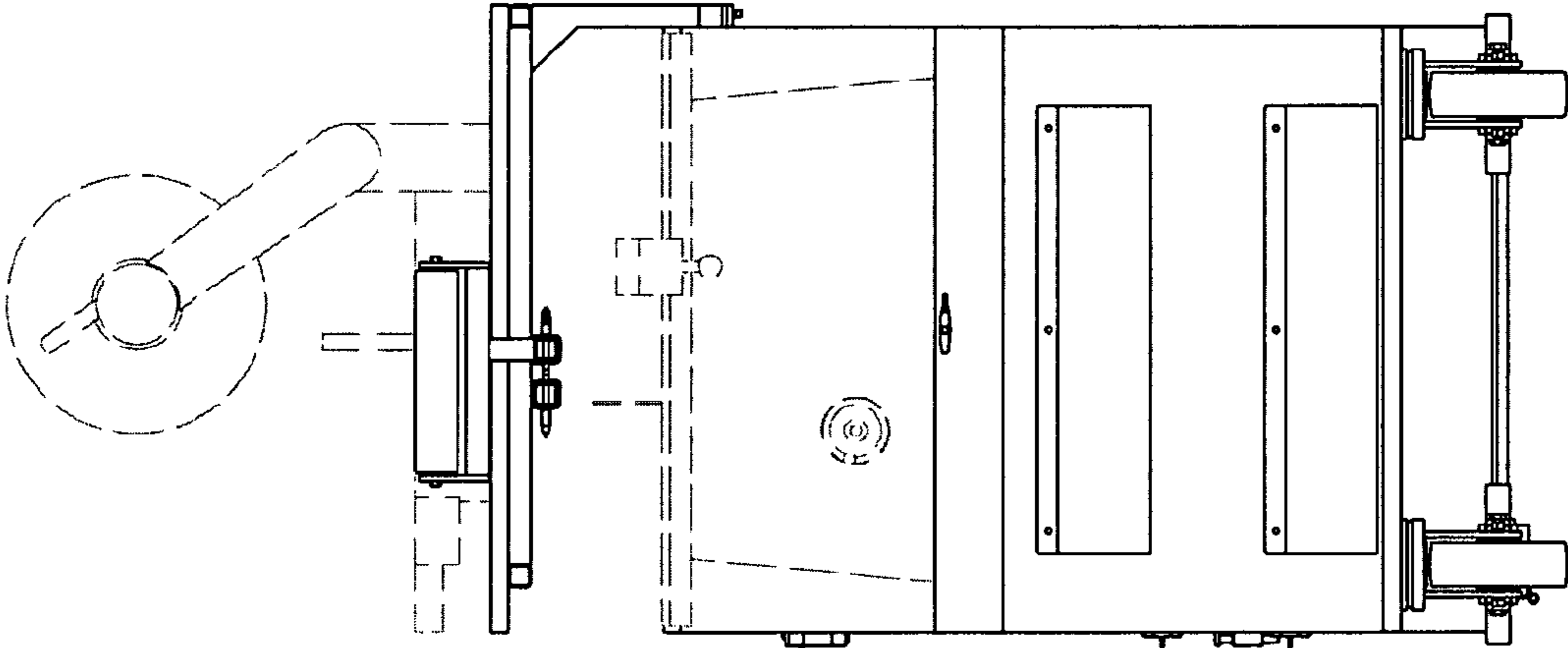


FIG. 4

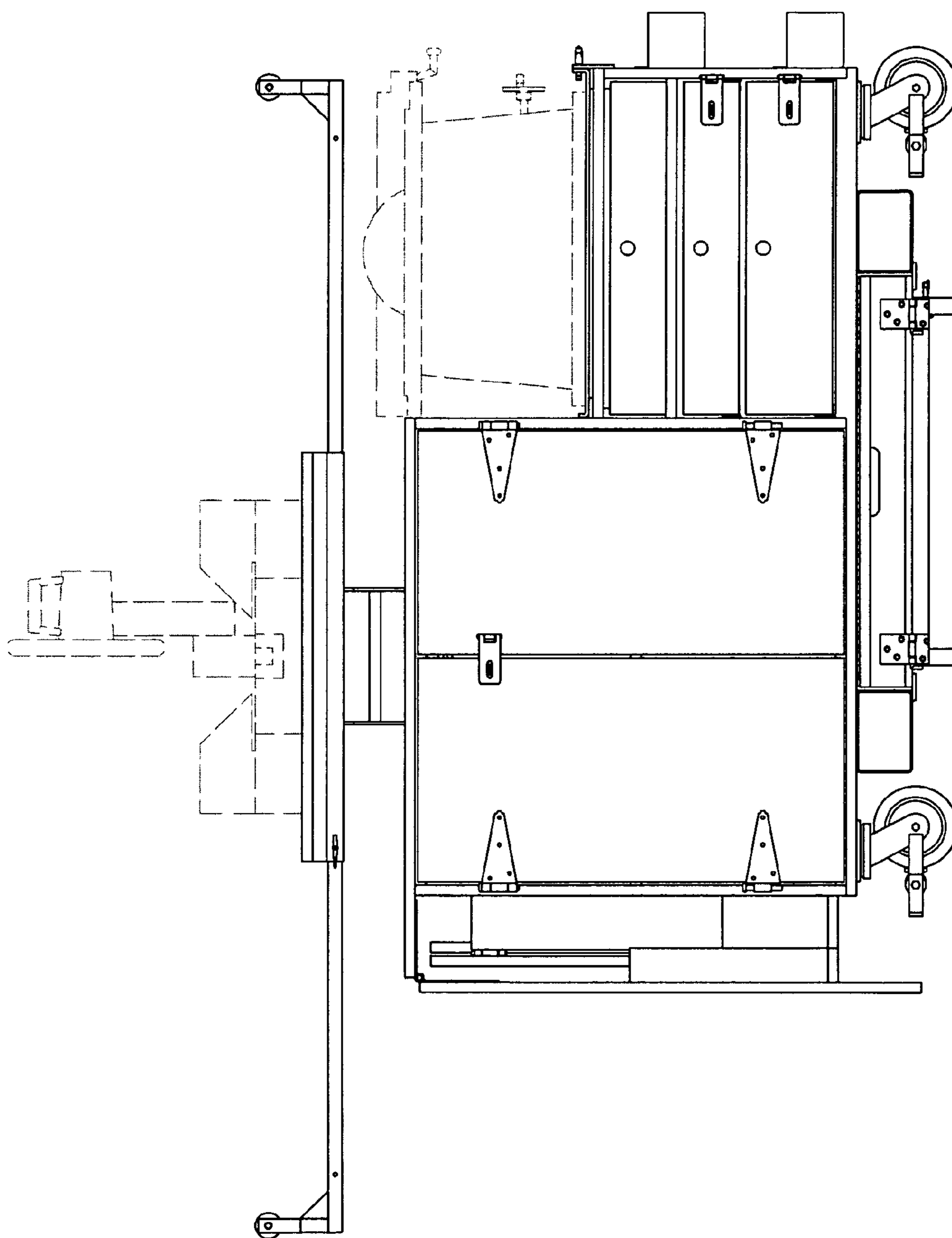


FIG. 5

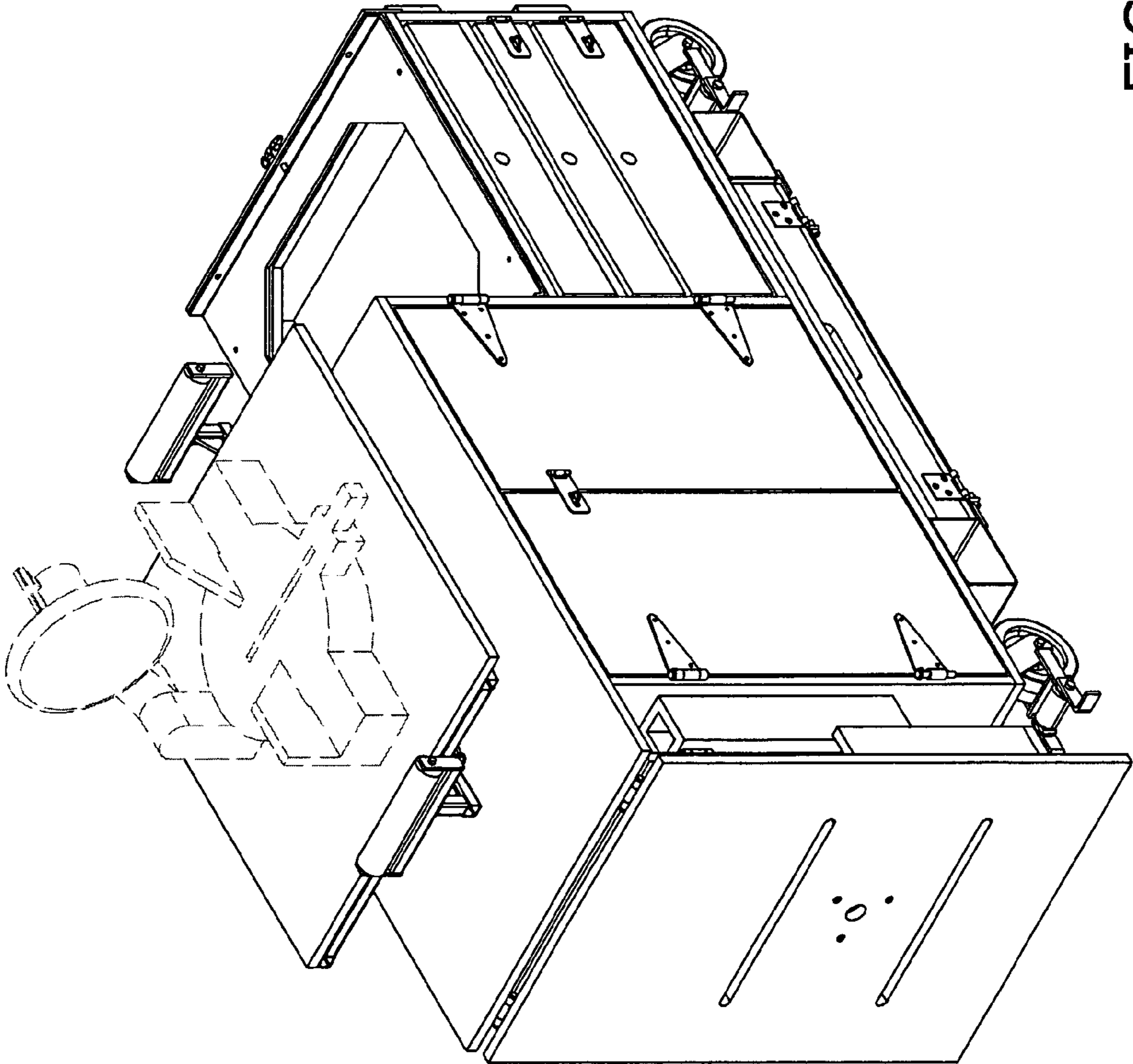


FIG. 6

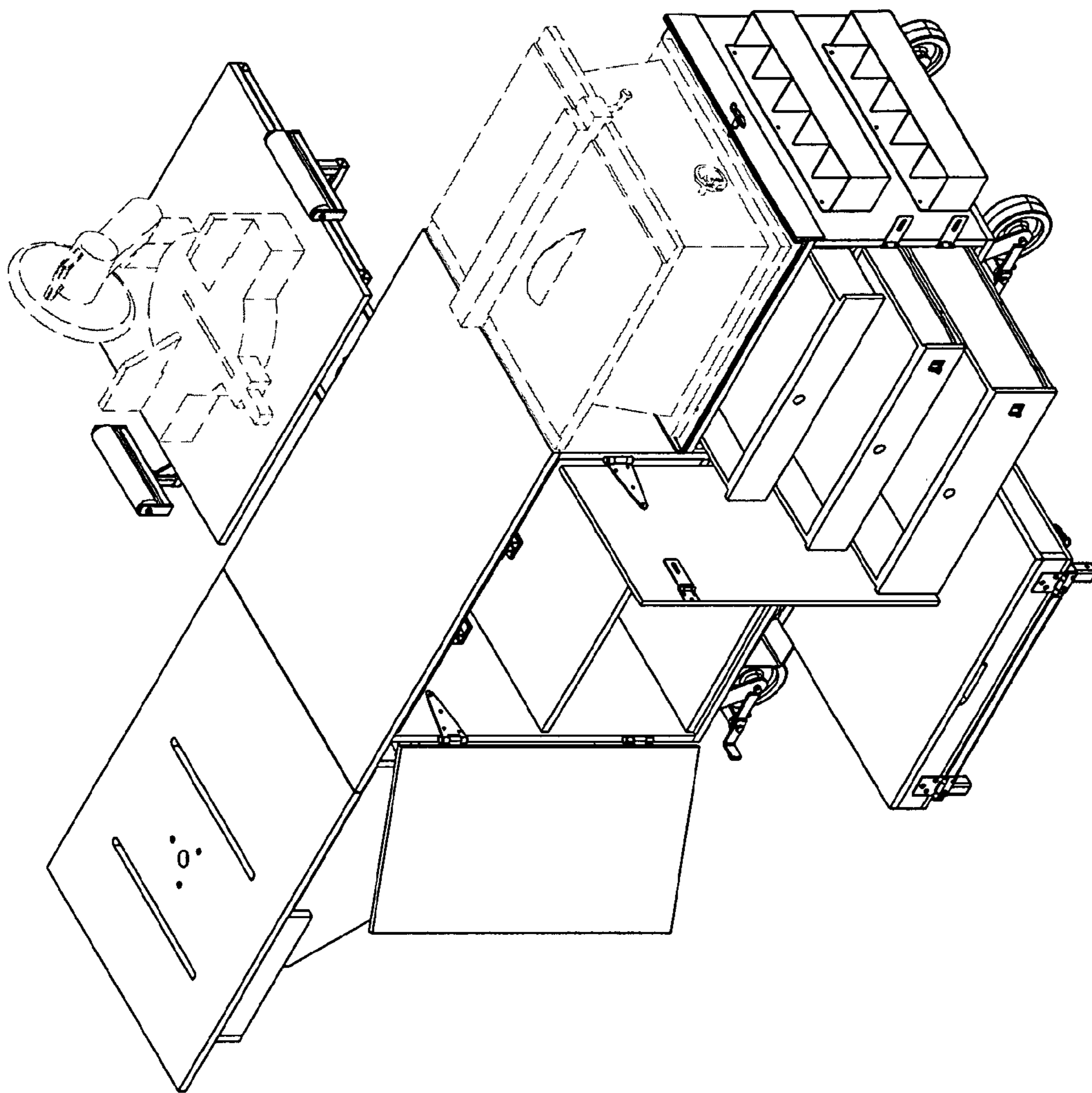


FIG. 7

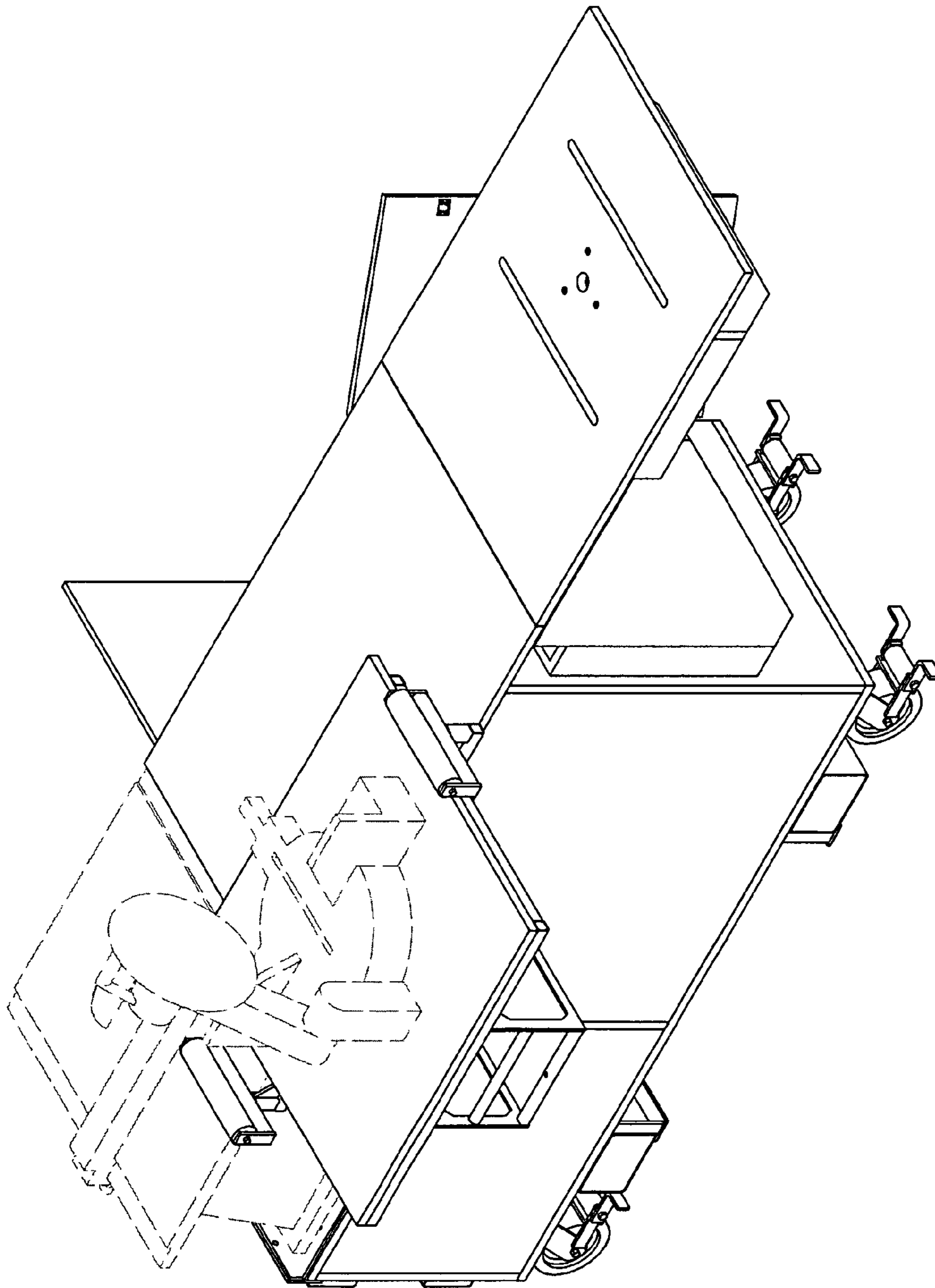


FIG. 8

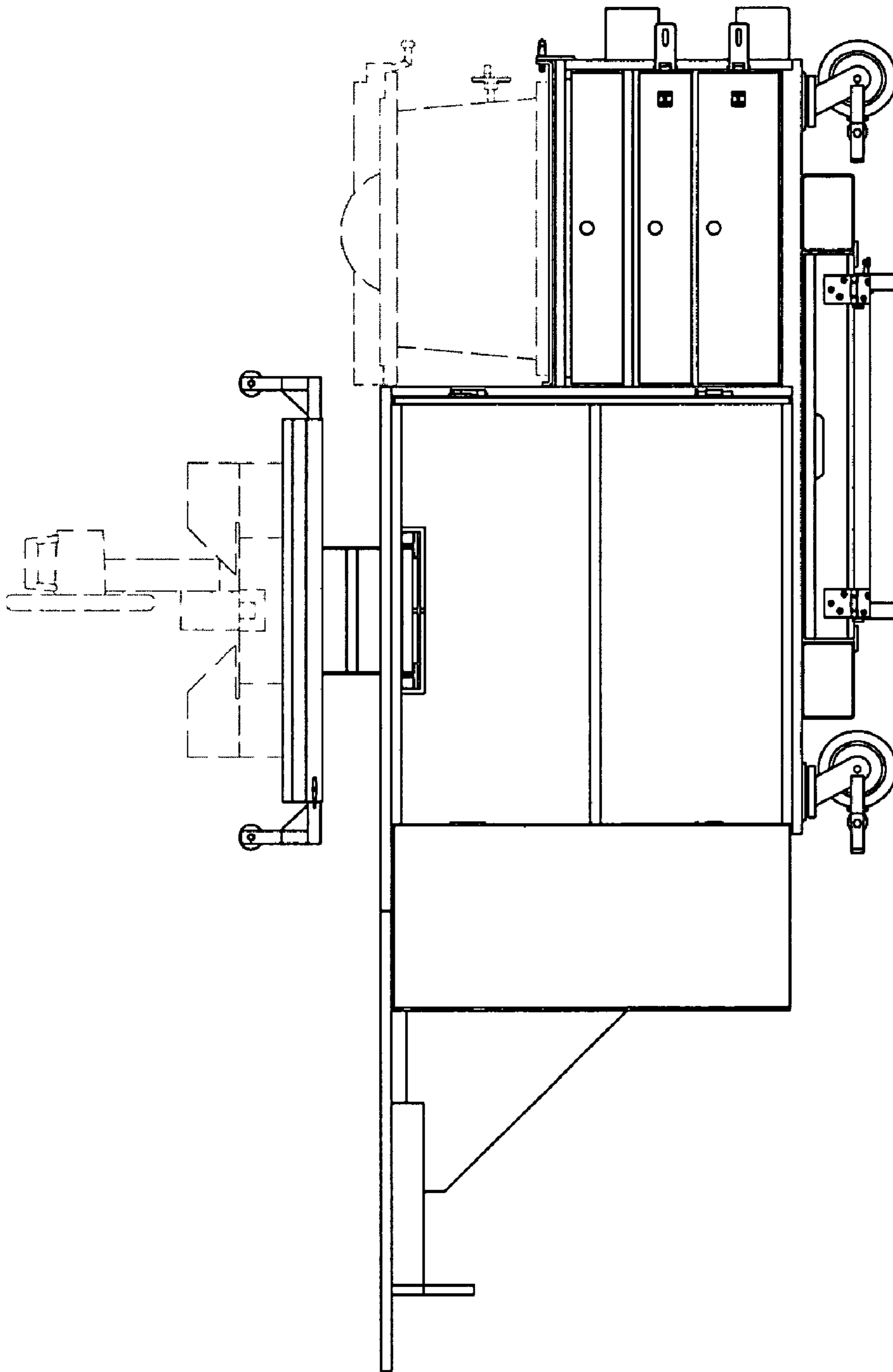


FIG. 9

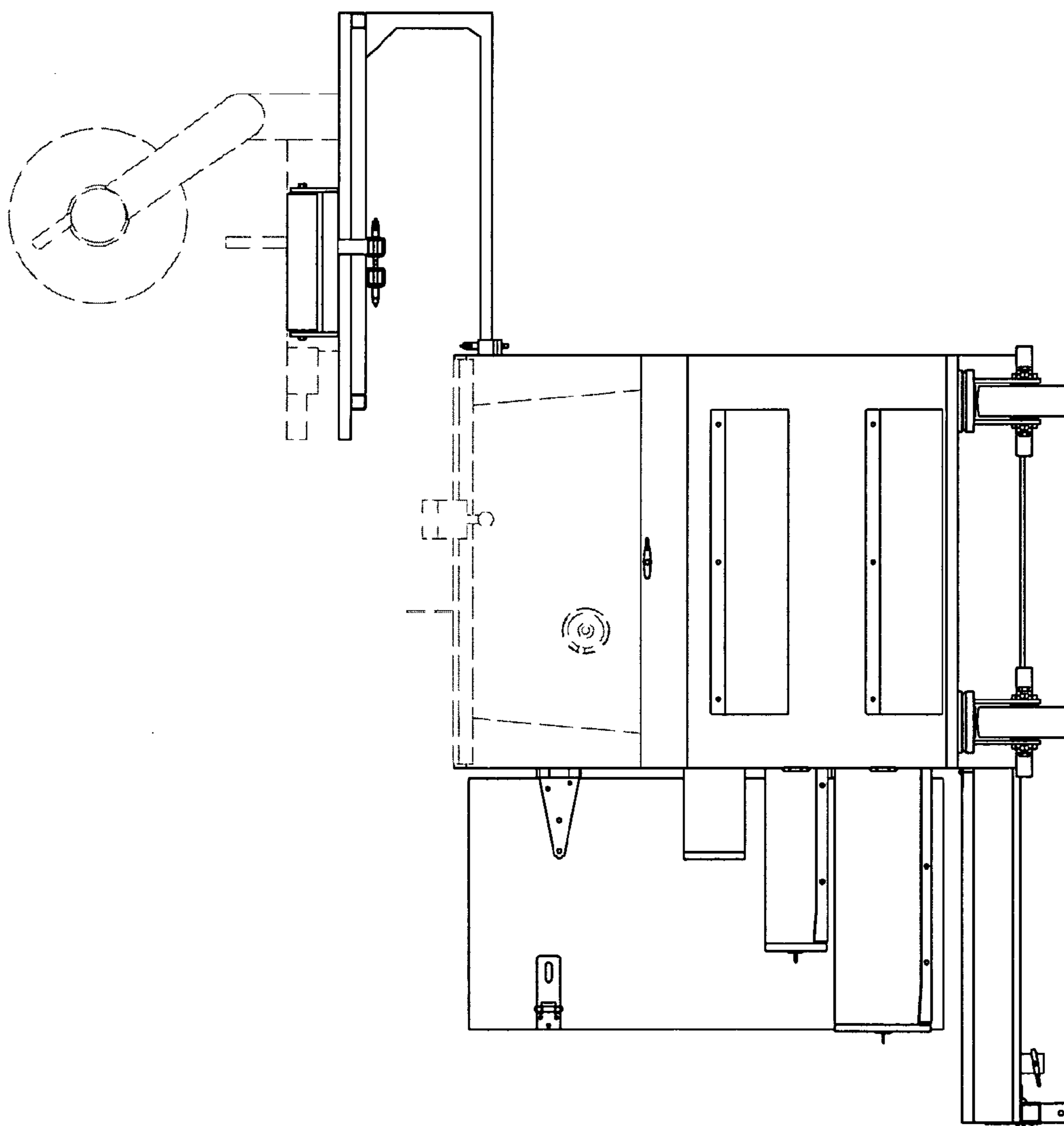


FIG. 10

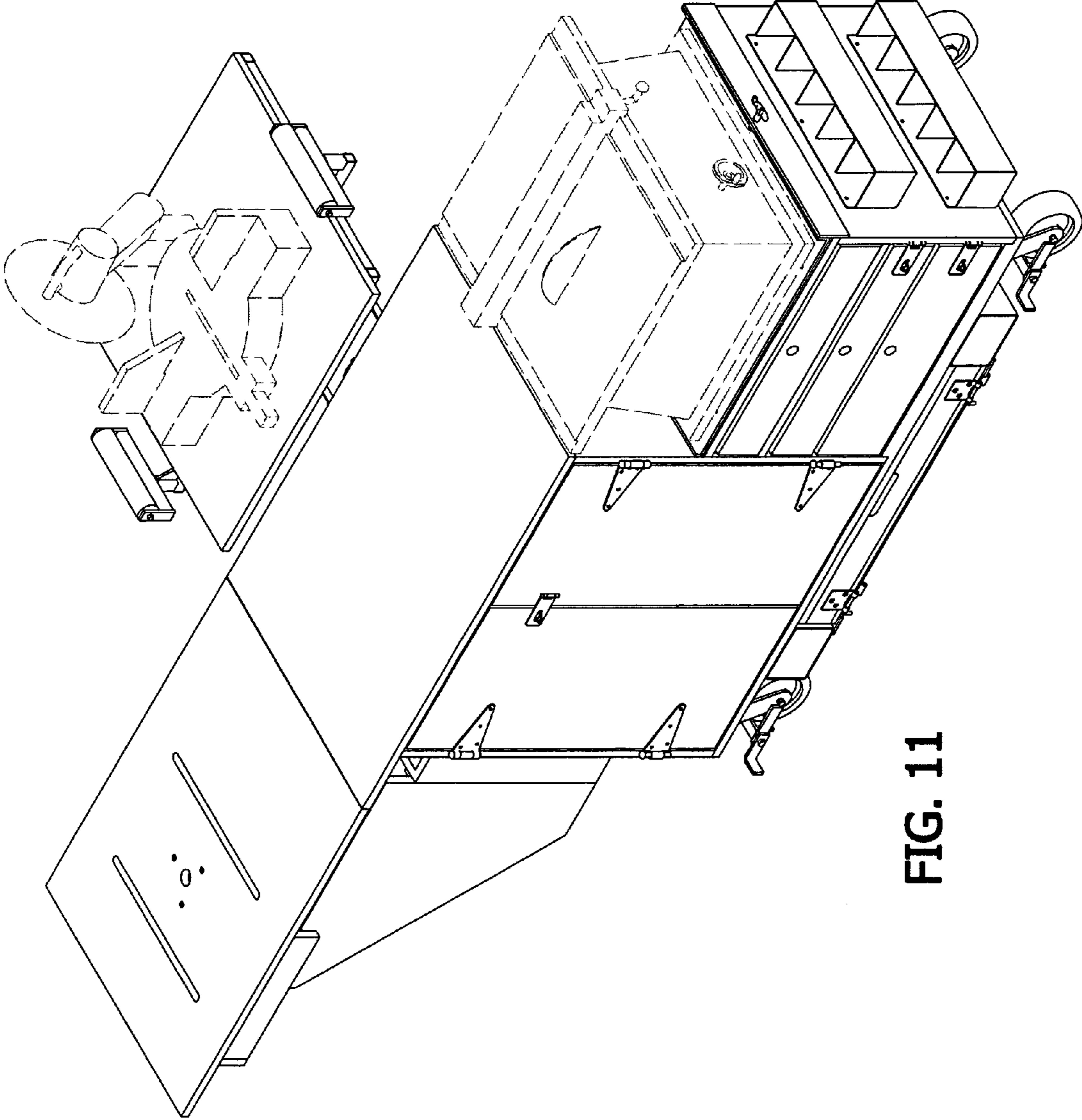


FIG. 11

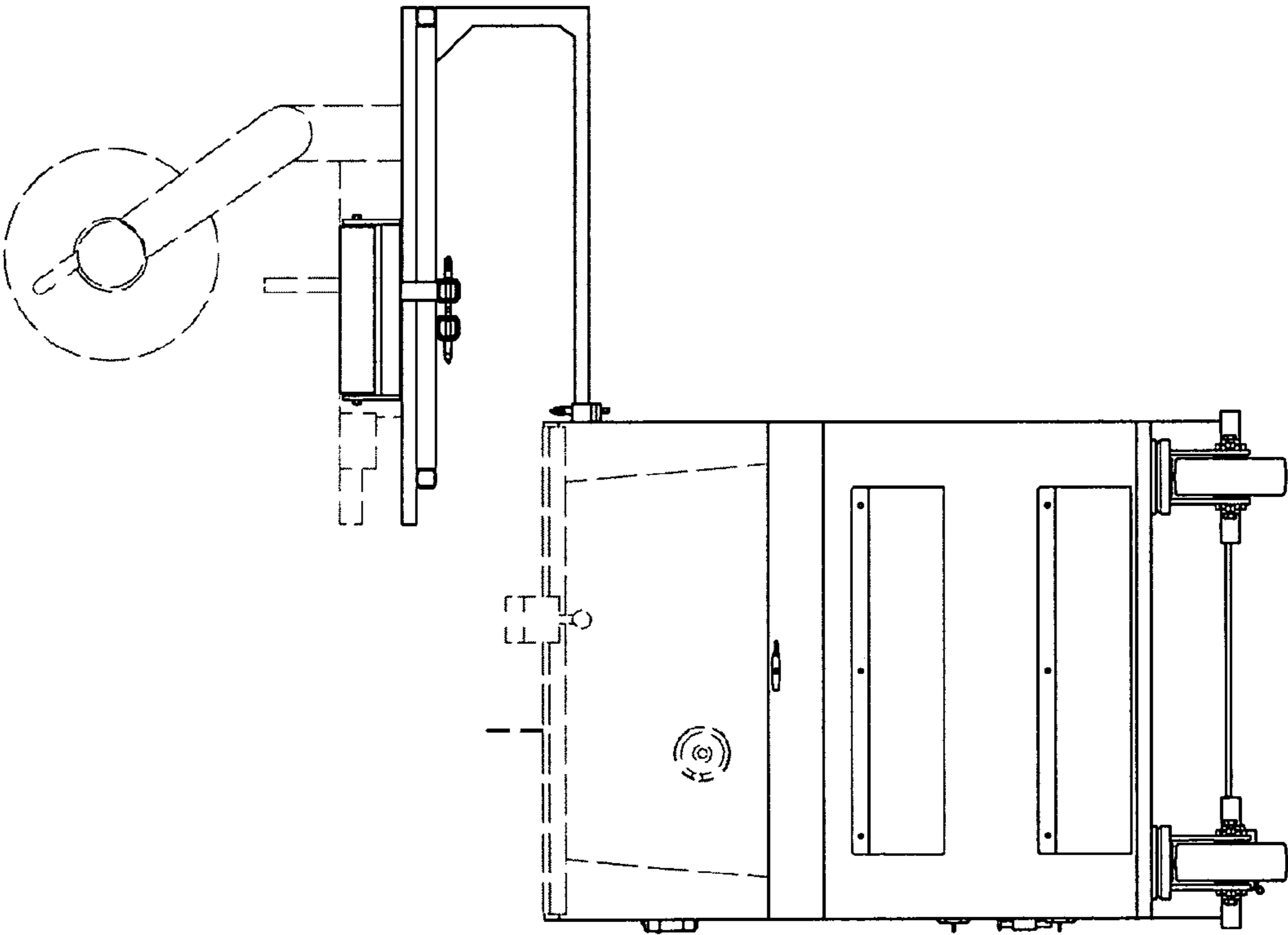


FIG. 12

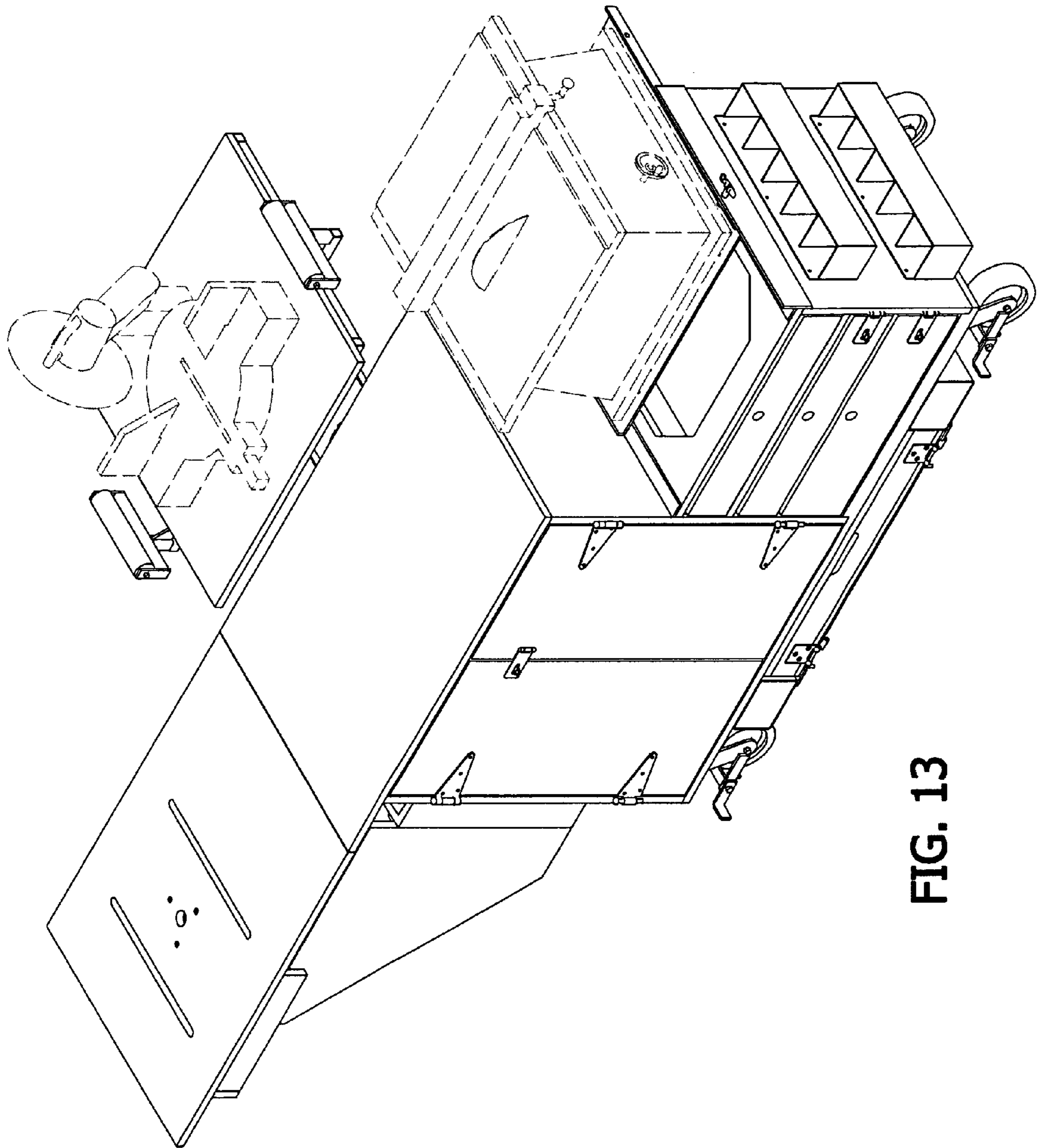


FIG. 13

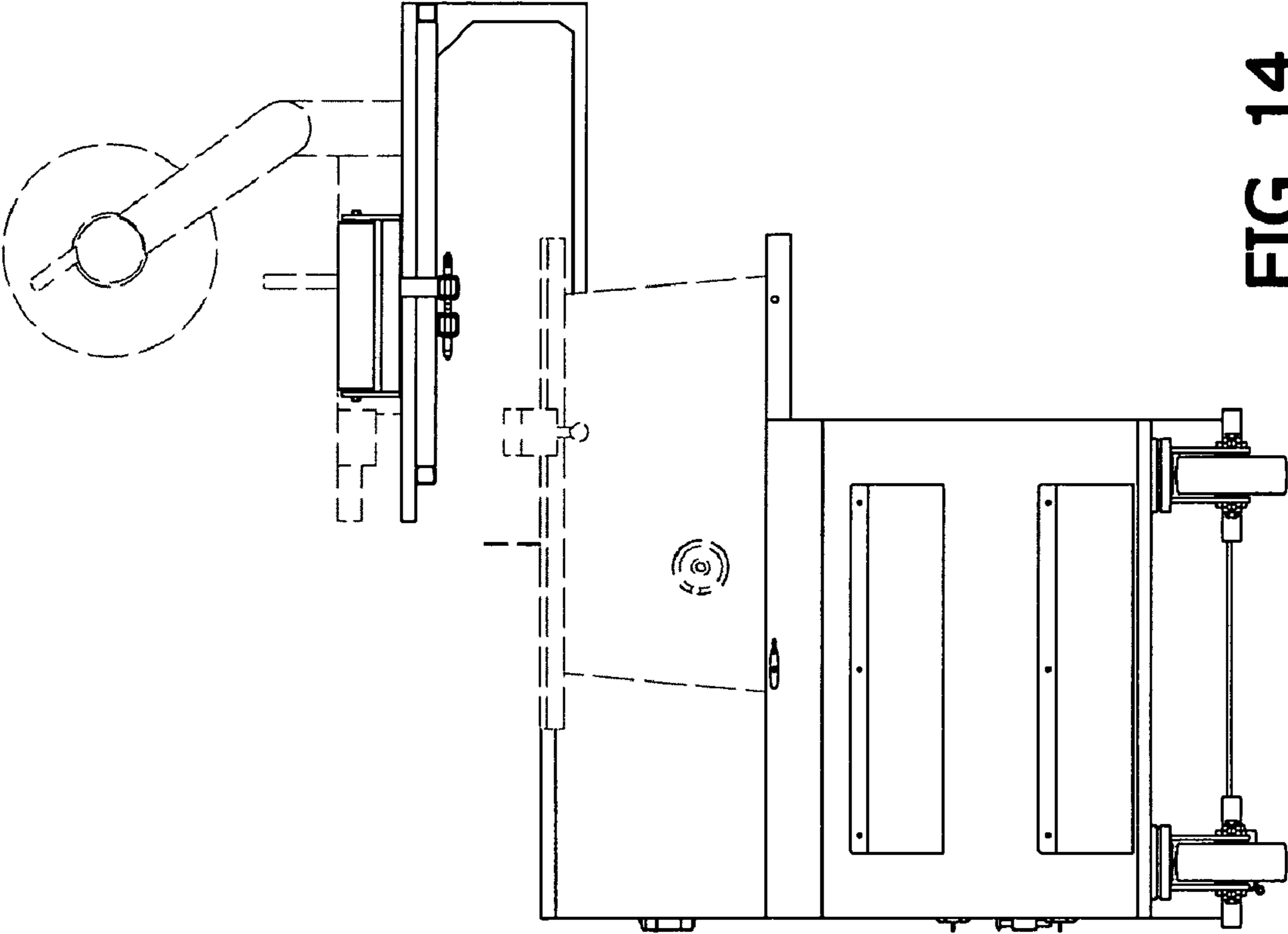


FIG. 14

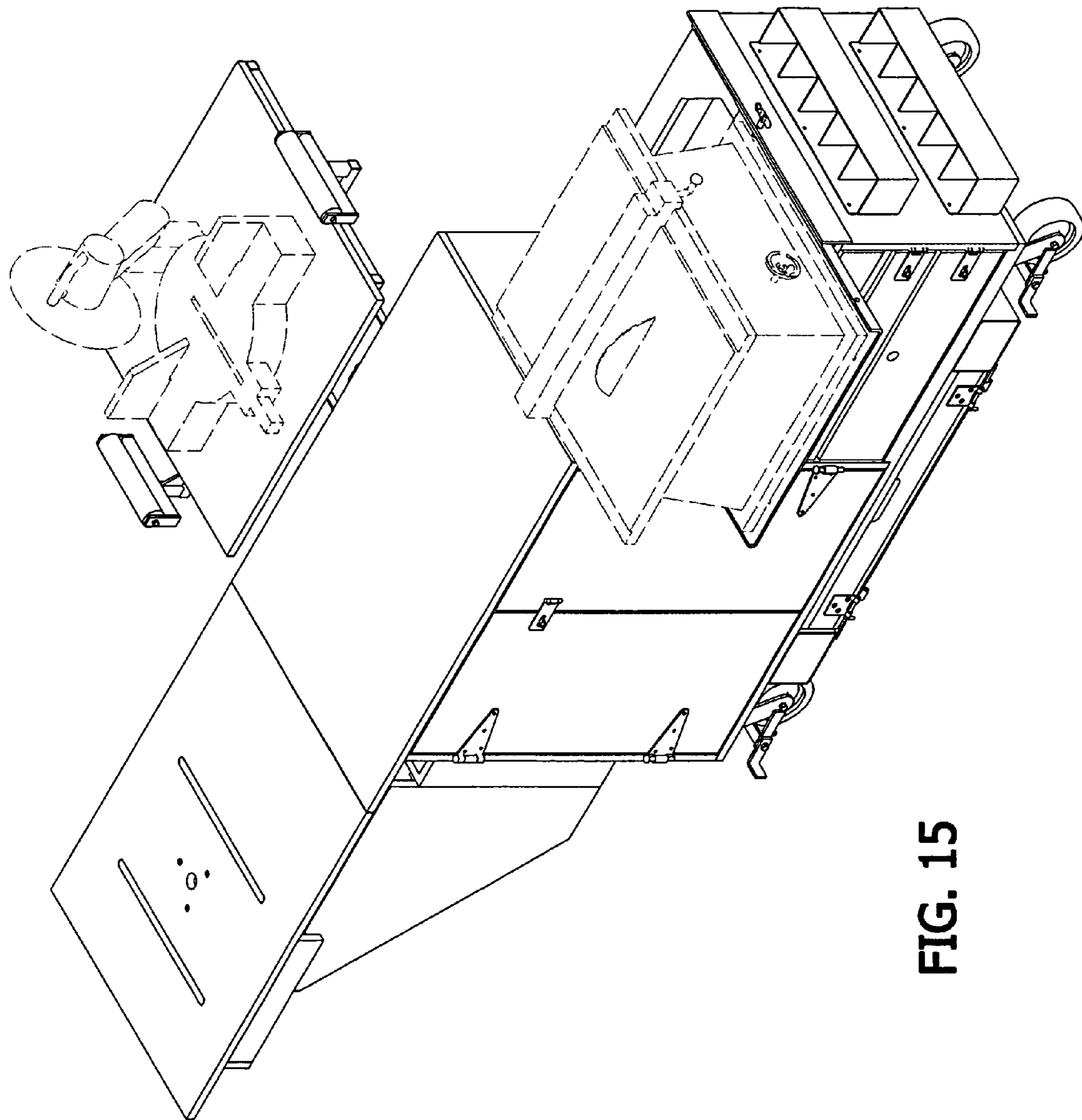


FIG. 15

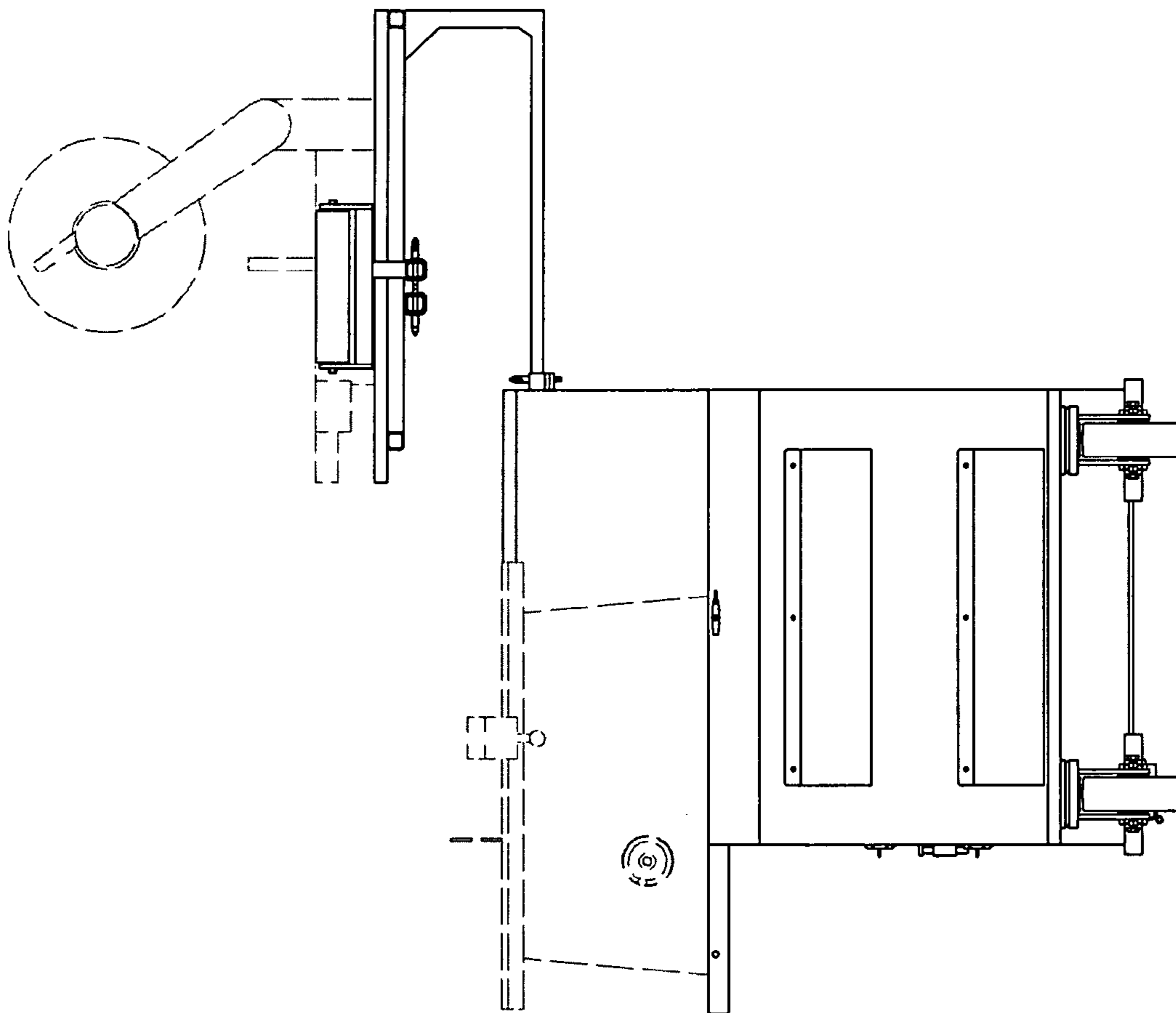


FIG. 16

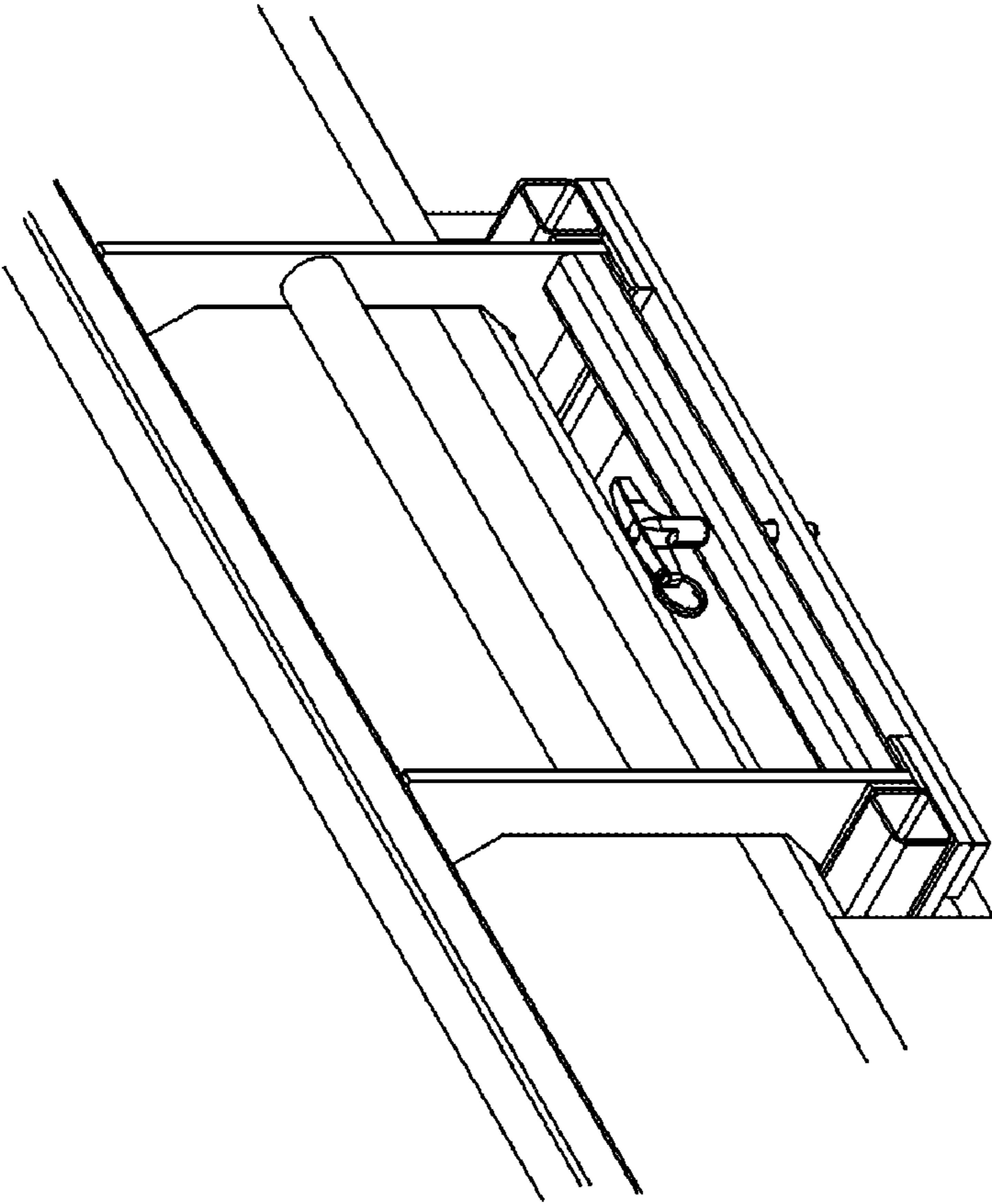


FIG. 17