



US00D588770S

(12) **United States Design Patent**
Koenig et al.

(10) **Patent No.:** **US D588,770 S**
(45) **Date of Patent:** **** Mar. 17, 2009**

(54) **HEAD FOR A CLEANING IMPLEMENT**

(75) Inventors: **John William Koenig**, Cincinnati, OH (US); **Richard Michael Harper**, Cincinnati, OH (US); **Andrew Peter Heidel**, Cincinnati, OH (US); **William Michael Cannon**, West Harrison, IN (US); **Christopher Duane Heckman**, Cincinnati, OH (US); **Ana Celina Castaneda**, Cincinnati, OH (US); **Tony Christopher Siebel**, Cincinnati, OH (US); **Ramsey Alexander Ford**, Cincinnati, OH (US); **Lawrence Edward Barbera**, Covington, KY (US)

(73) Assignee: **The Procter & Gamble Company**, Cincinnati, OH (US)

(**) Term: **14 Years**

(21) Appl. No.: **29/308,135**

(22) Filed: **May 29, 2008**

(51) **LOC (9) Cl.** **04-01**

(52) **U.S. Cl.** **D32/50; D32/51**

(58) **Field of Classification Search** D32/40, D32/35, 50-52; D4/199; 15/223-224, 228, 15/231, 244.1-244.4, 229.1-229.9, 104.94, 15/209.1, 150; 401/138-140, 132

See application file for complete search history.

(56) **References Cited**

U.S. PATENT DOCUMENTS

3,099,858	A *	8/1963	Segur	452/169
4,852,210	A *	8/1989	Krajicek	15/228
D304,630	S *	11/1989	Jones et al.	D32/40
5,419,015	A *	5/1995	Garcia	15/228
5,507,065	A *	4/1996	McBride et al.	15/228
D386,851	S *	11/1997	Levine	D32/40
D409,343	S	5/1999	Kingry et al.		

(Continued)

Primary Examiner—Pamela J Burgess

(74) *Attorney, Agent, or Firm*—Larry L. Huston; Kim W. Zerby

(57) **CLAIM**

The ornamental design for a head for a cleaning implement, as shown and described.

DESCRIPTION

FIG. 1 is a top perspective view of a head for a cleaning implement showing our new design;

FIG. 2 is an enlarged top perspective view thereof, shown in another position;

FIG. 3 is a top plan view thereof;

FIG. 4 is a bottom plan view thereof;

FIG. 5 is a front elevational view thereof, the rear view being substantially the same;

FIG. 6 is a right side elevational view thereof, the left side being substantially the same;

FIG. 7 is a top perspective view of a second embodiment of a head for a cleaning implement showing our new design, similar in scale as FIG. 1;

FIG. 8 is an enlarged top perspective view thereof, shown in another position;

FIG. 9 is a top plan view thereof;

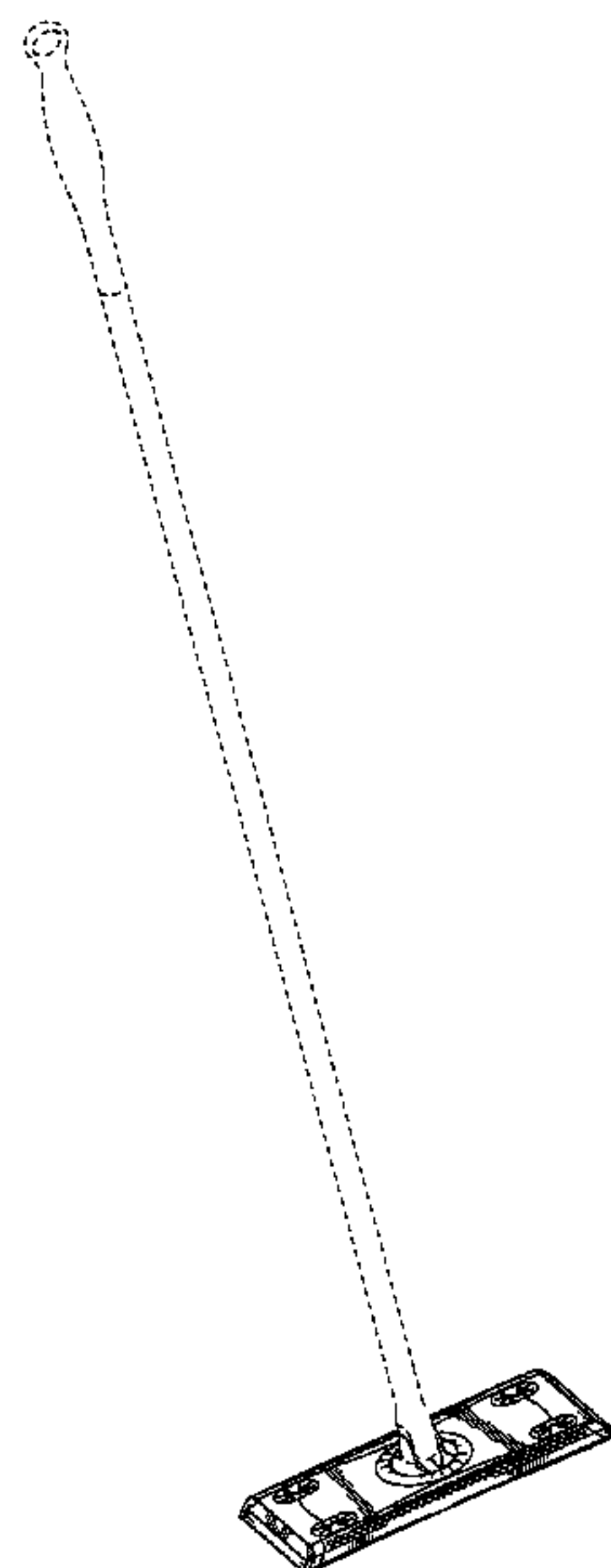
FIG. 10 is a bottom plan view thereof;

FIG. 11 is a front elevational view thereof, the rear view being substantially the same; and,

FIG. 12 is a right side elevational view thereof, the left side being substantially the same.

The broken lines are for illustrative purposes only and form no part of the claimed invention.

1 Claim, 12 Drawing Sheets



US D588,770 S

Page 2

U.S. PATENT DOCUMENTS

D423,157 S *	4/2000	Hodges	D32/40	D503,836 S *	4/2005	Hall et al.	D32/50
6,305,046 B1 *	10/2001	Kingry et al.	15/231	D506,050 S *	6/2005	Lalanne et al.	D32/45
D457,994 S *	5/2002	Gomez et al.	D32/40	D544,668 S	6/2007	Harper et al.		
D461,028 S *	7/2002	Ng	D32/40	D552,315 S	10/2007	Harper et al.		
D481,484 S	10/2003	Cuevas et al.			D554,815 S	11/2007	Harper et al.		
6,651,290 B2 *	11/2003	Kingry et al.	15/231	D555,852 S	11/2007	Shin et al.		
D501,588 S	2/2005	Harper et al.			D564,164 S	3/2008	Harper et al.		

* cited by examiner

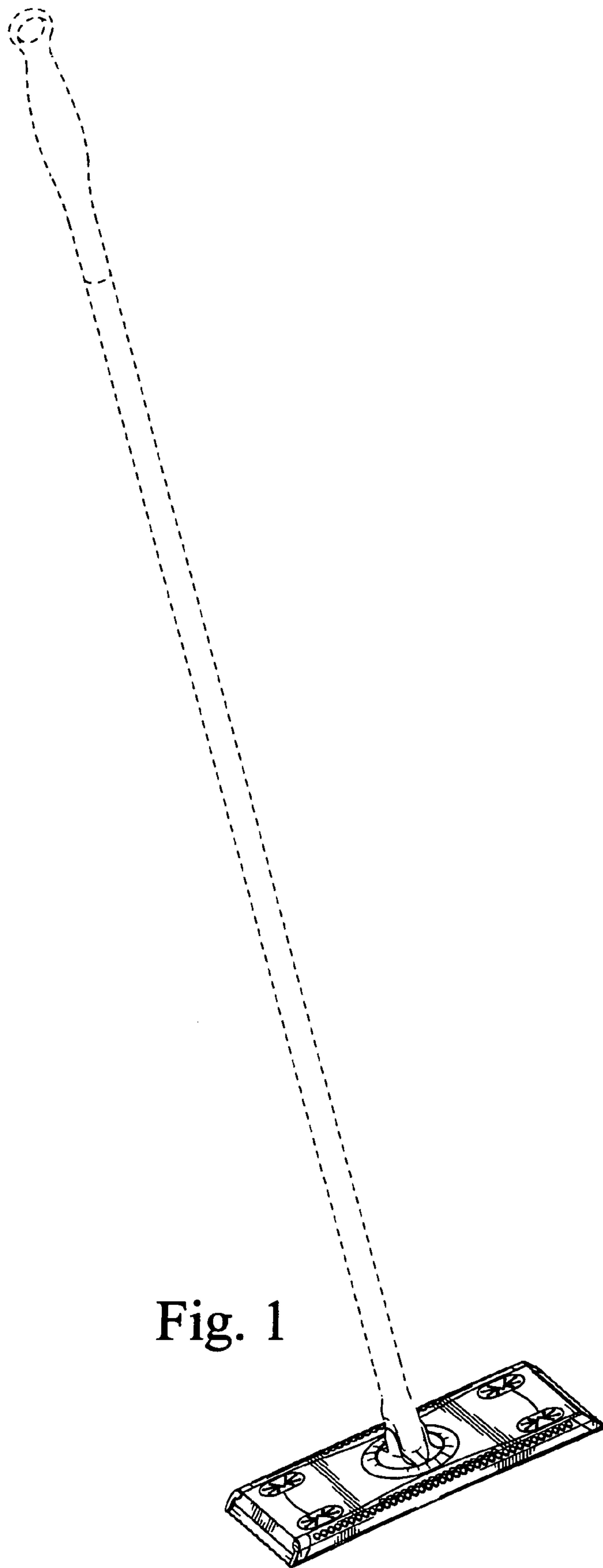


Fig. 1

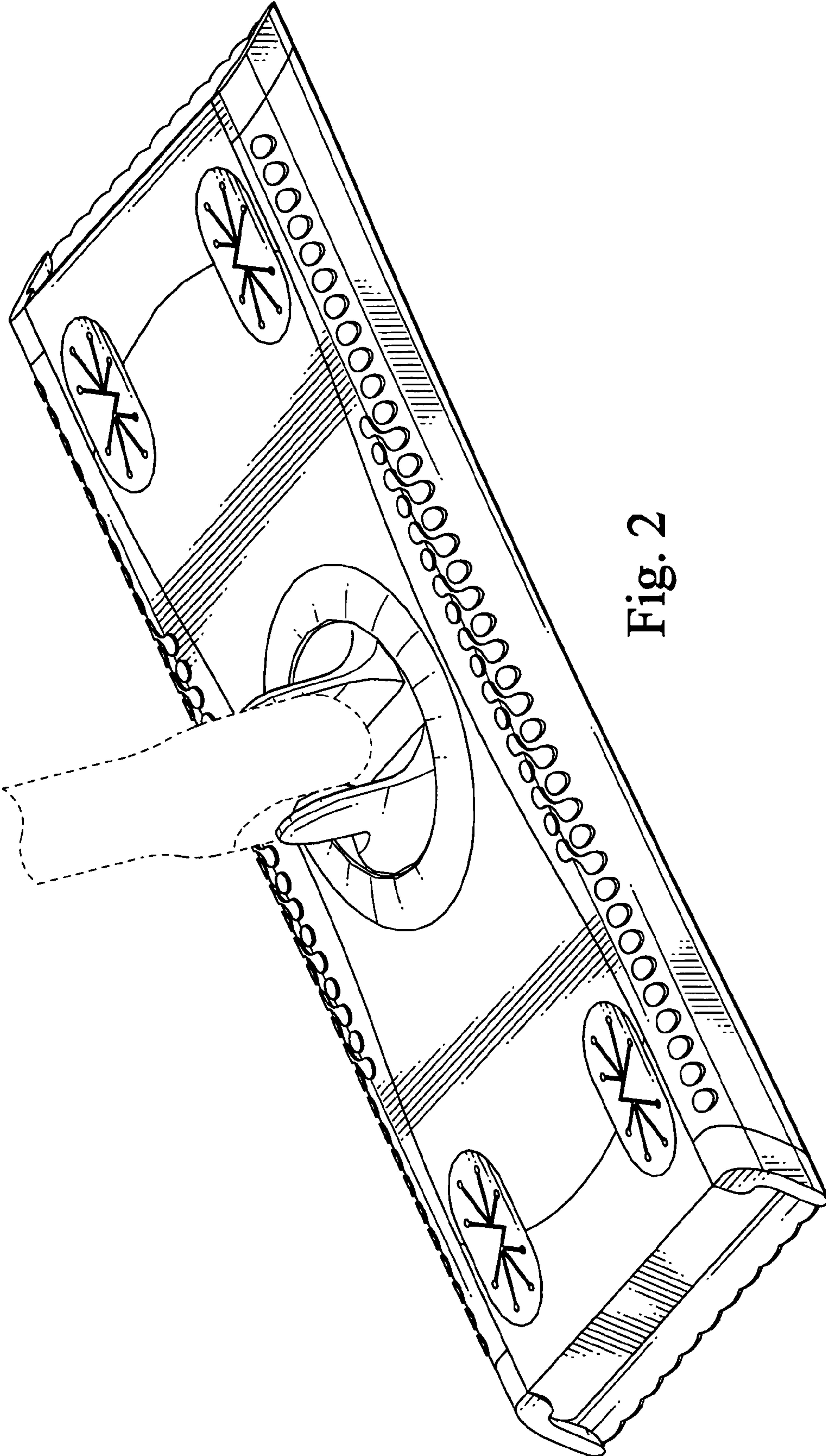


Fig. 2

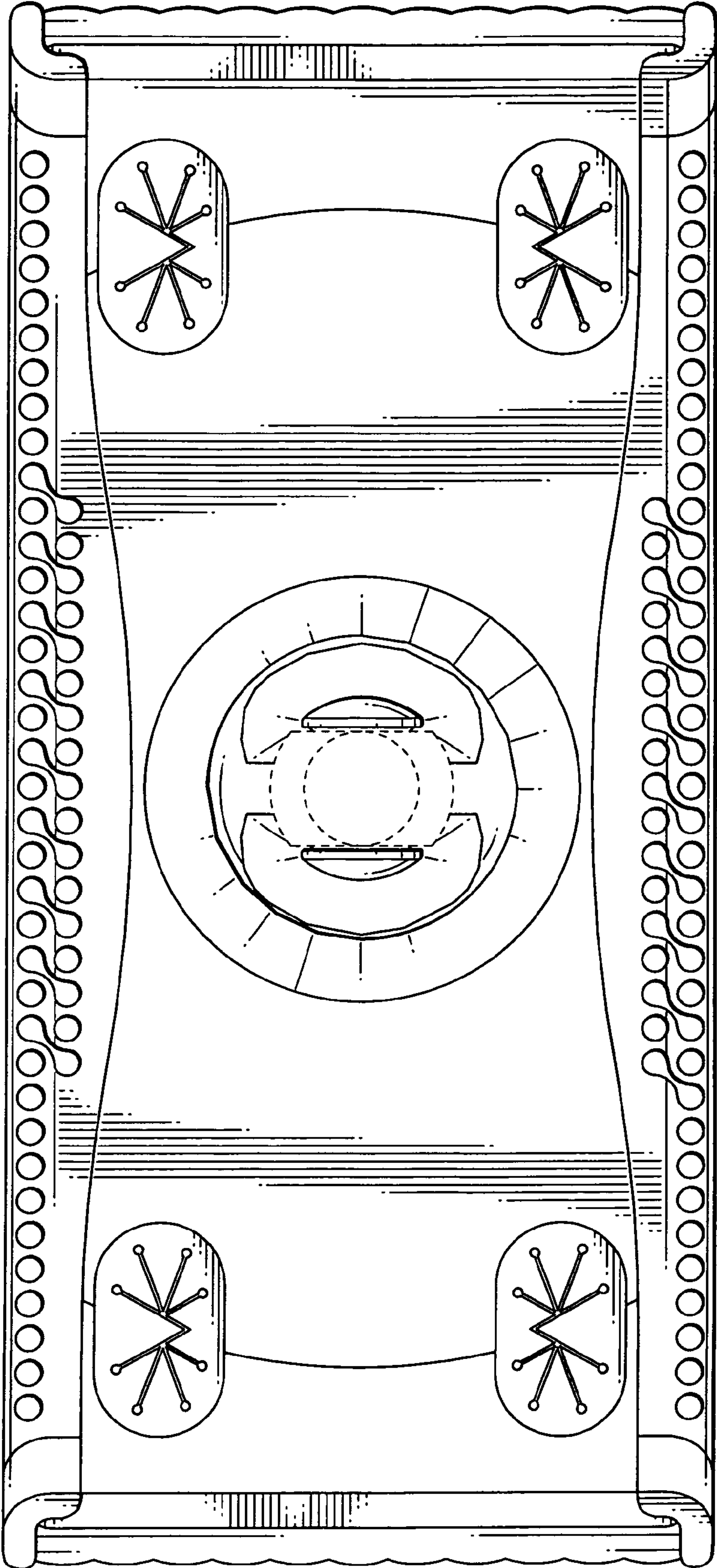


Fig. 3

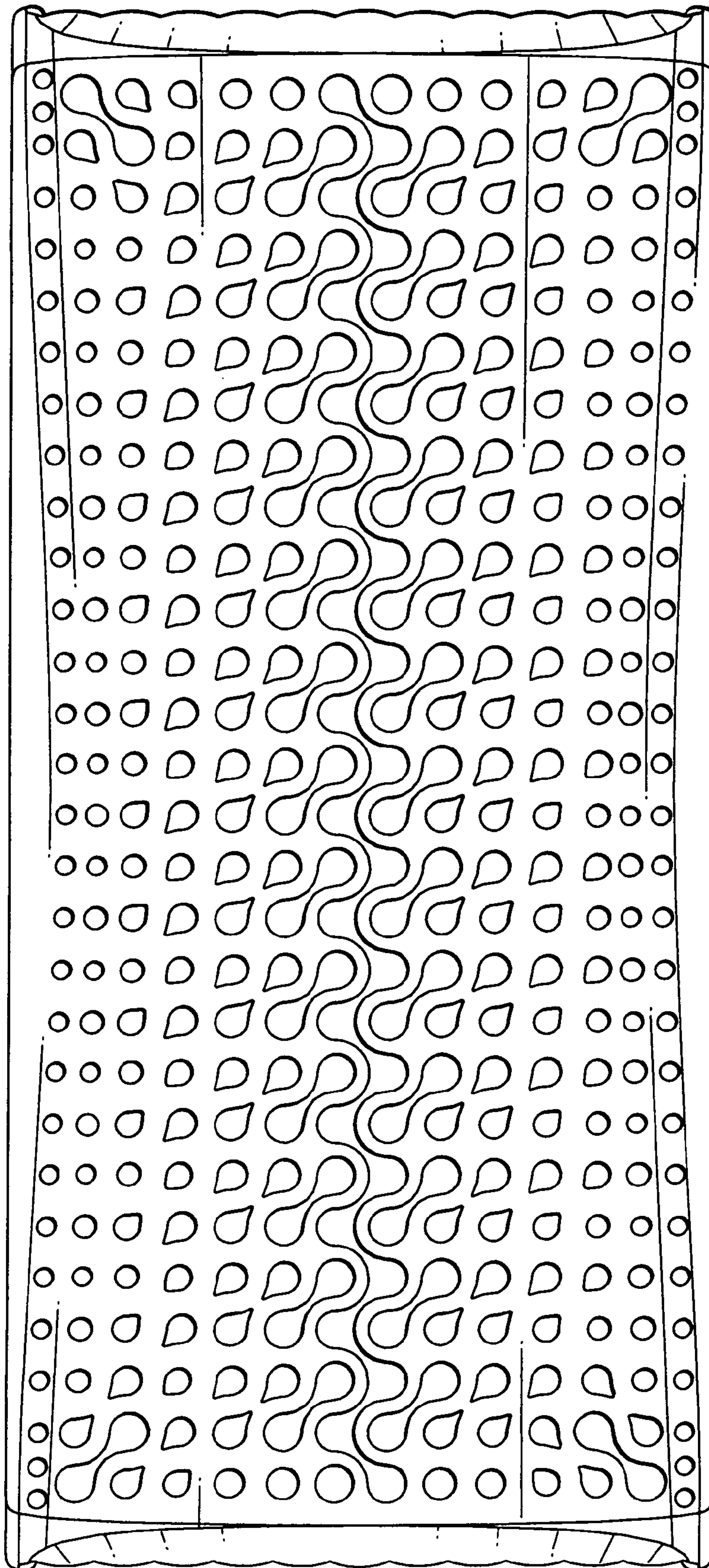


Fig. 4

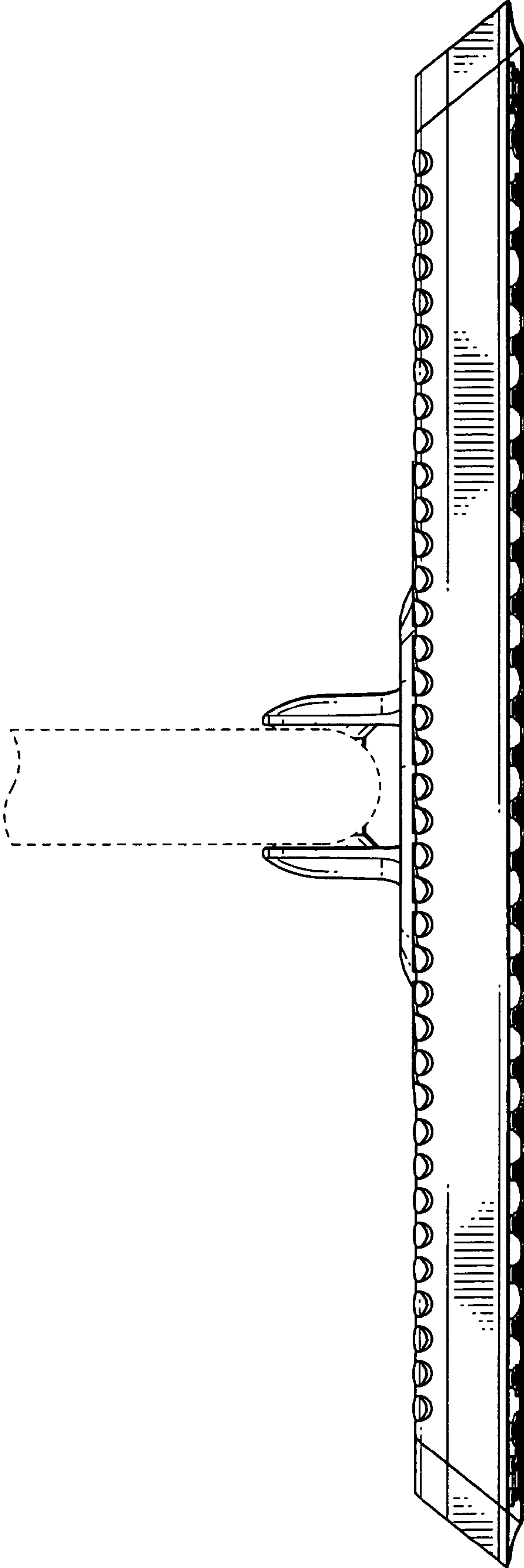


Fig. 5

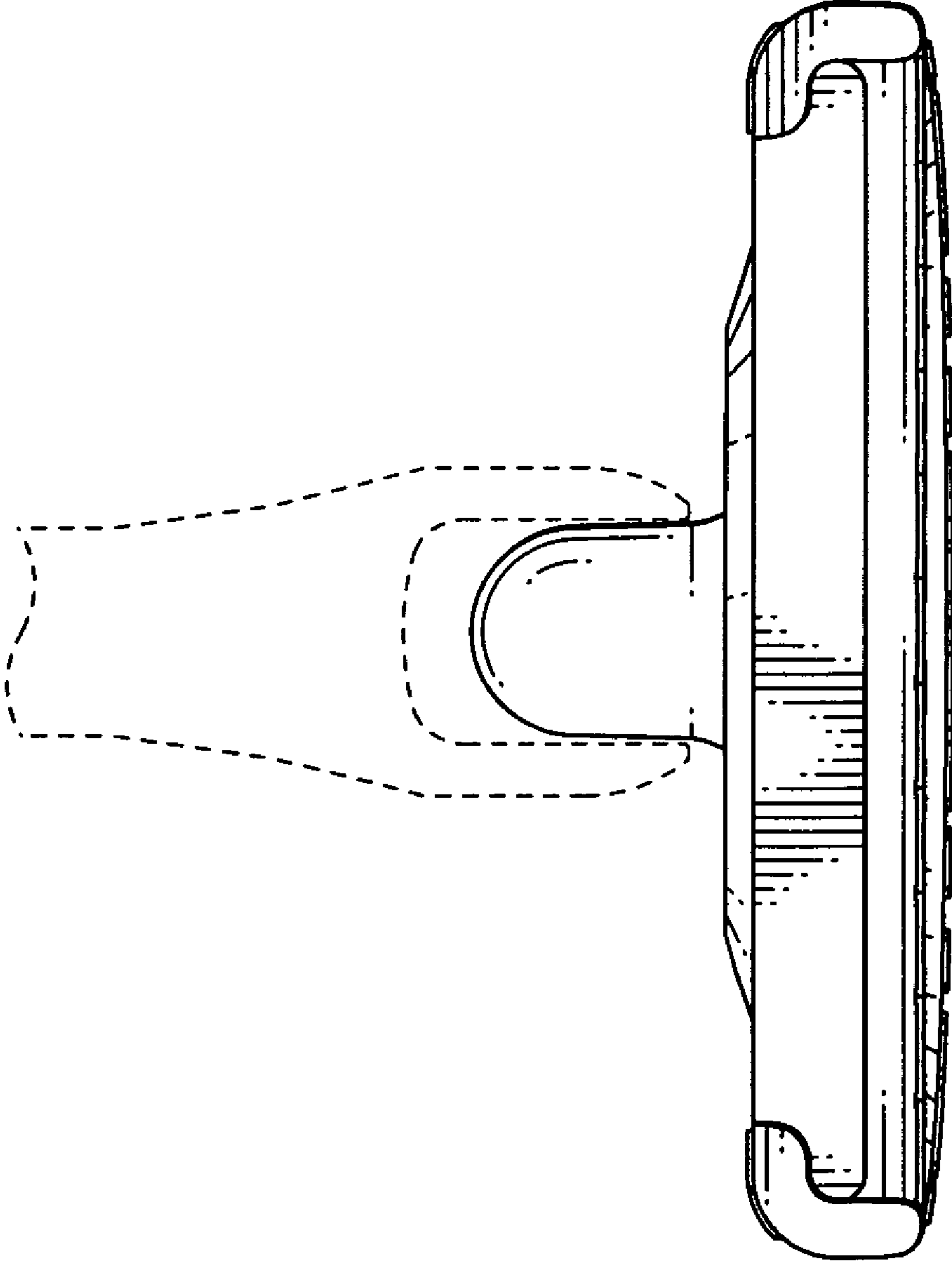


Fig. 6

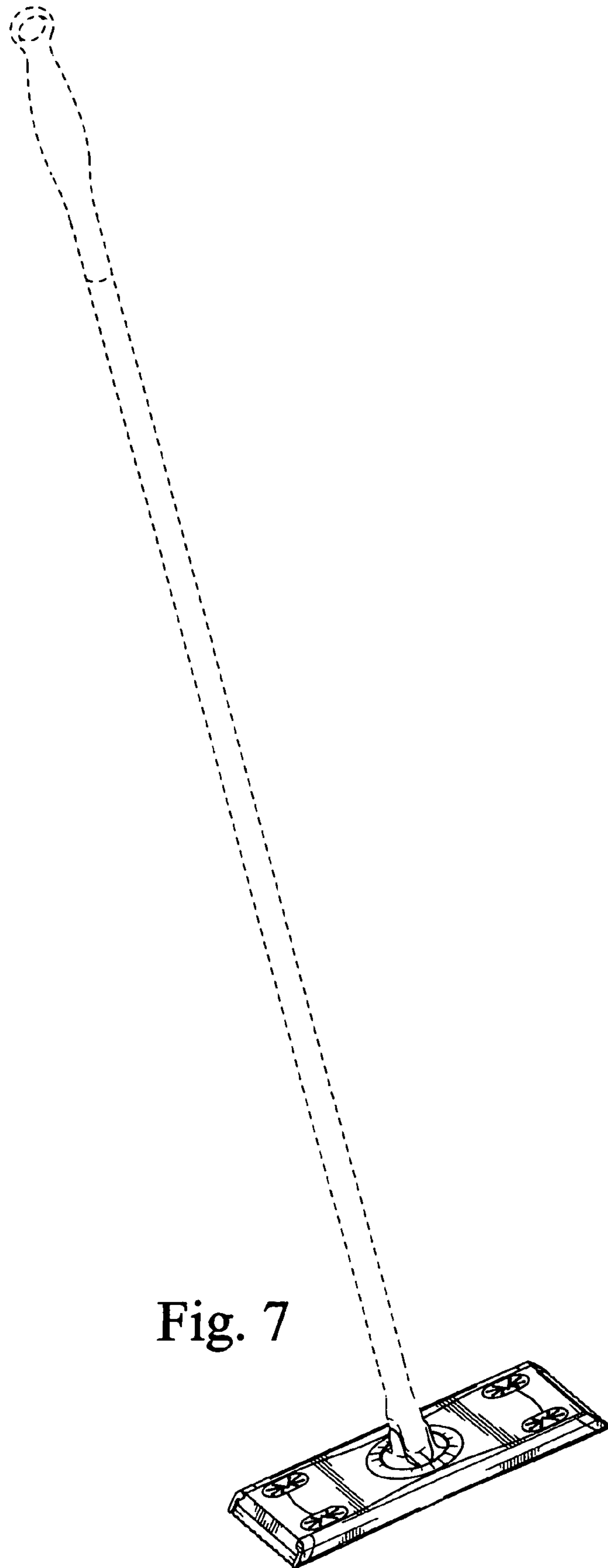


Fig. 7

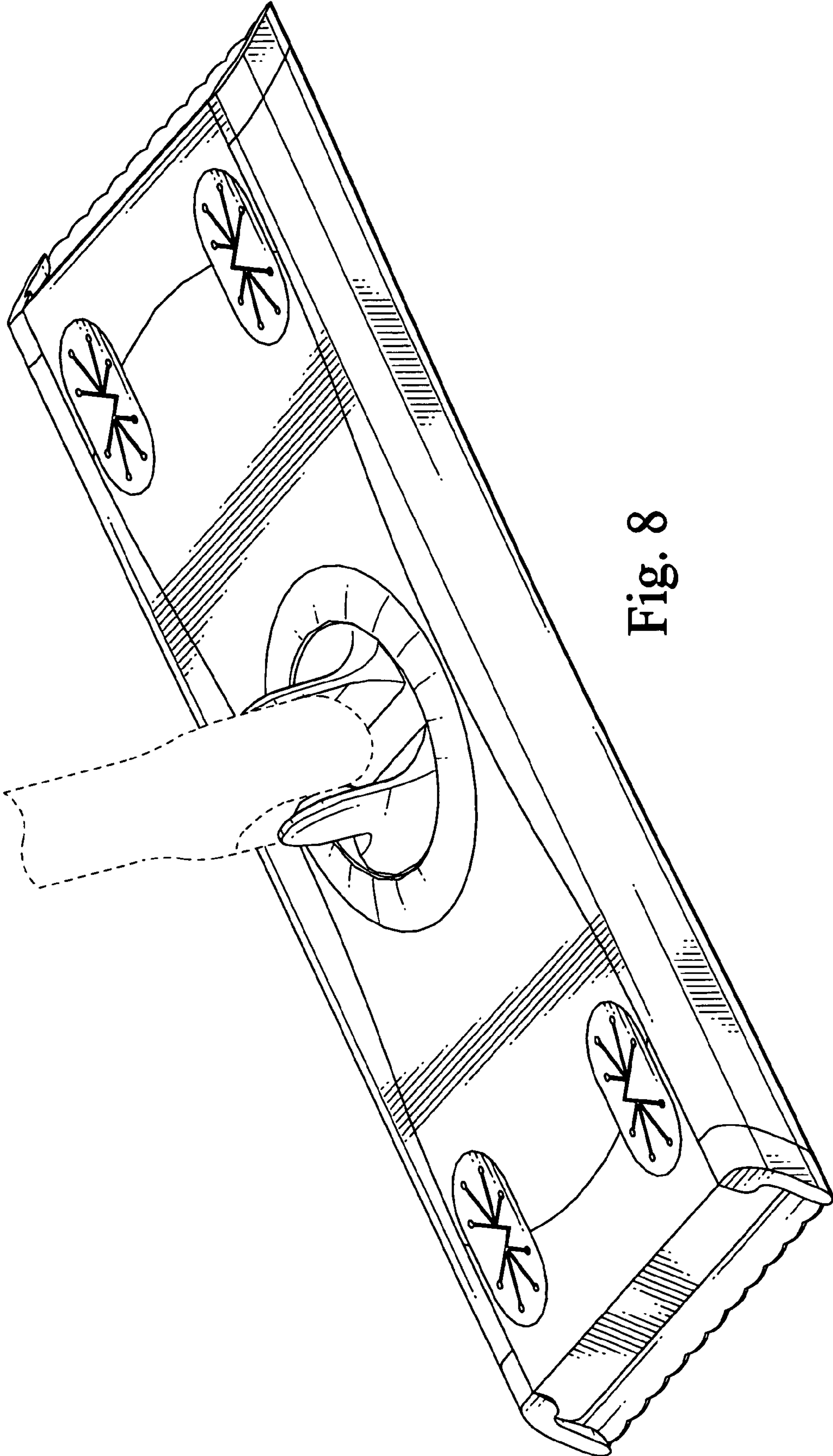


Fig. 8

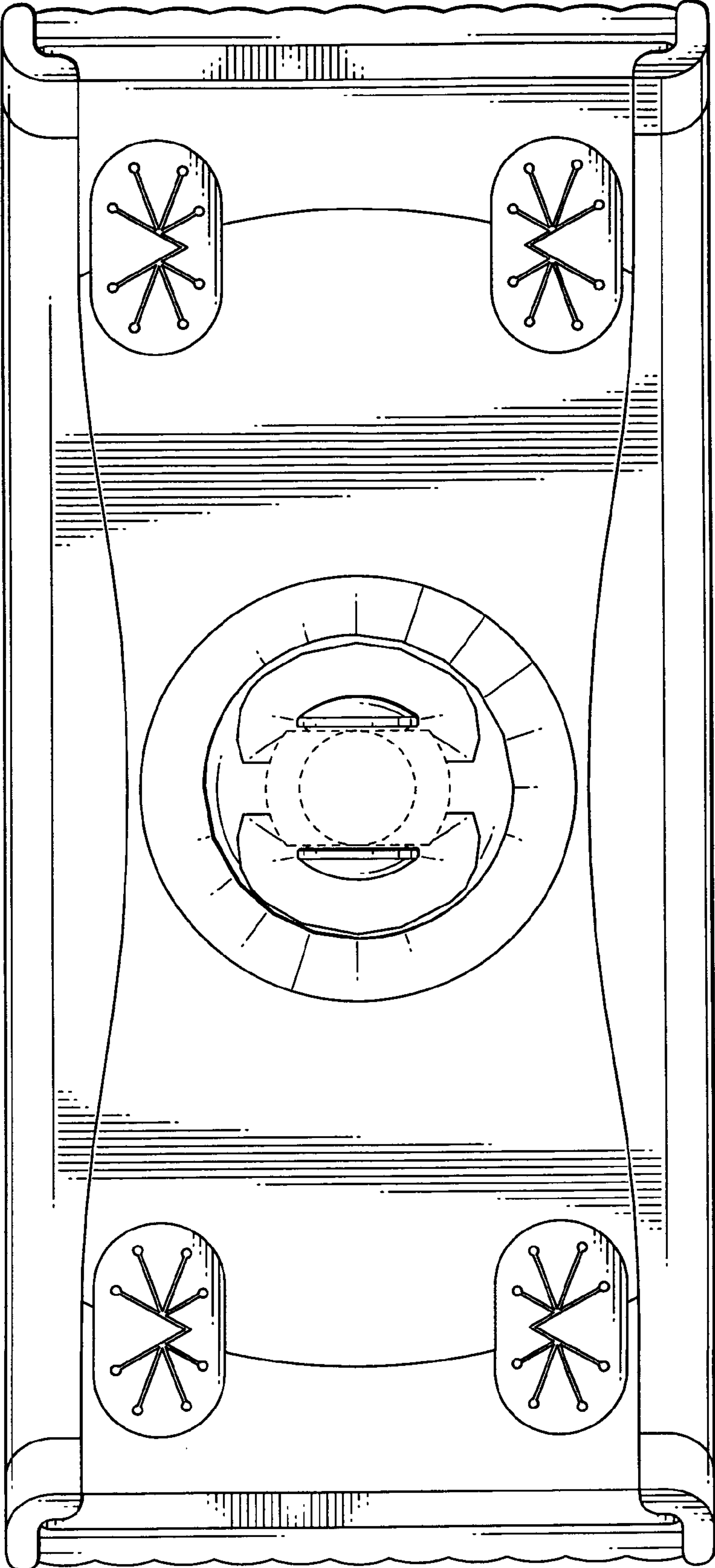


Fig. 9

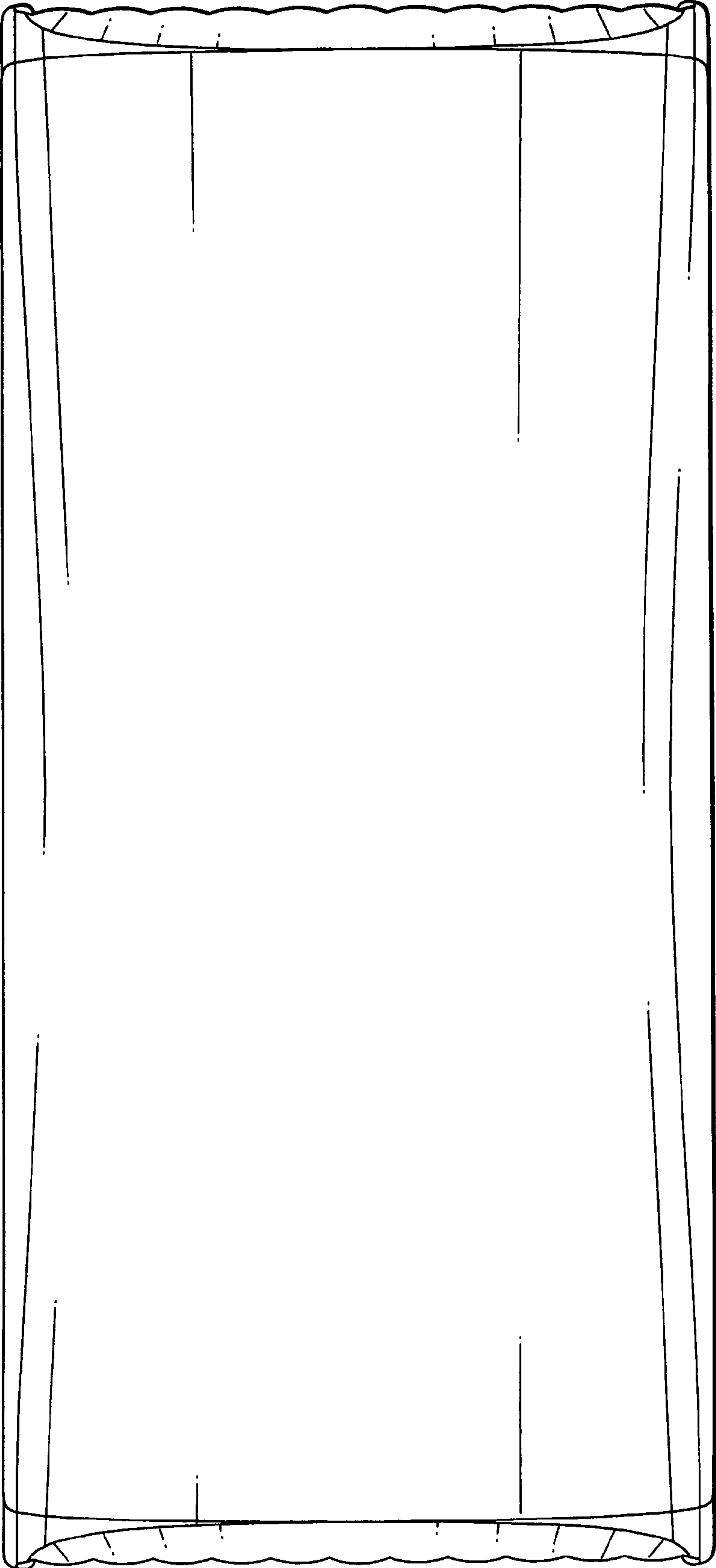


Fig. 10

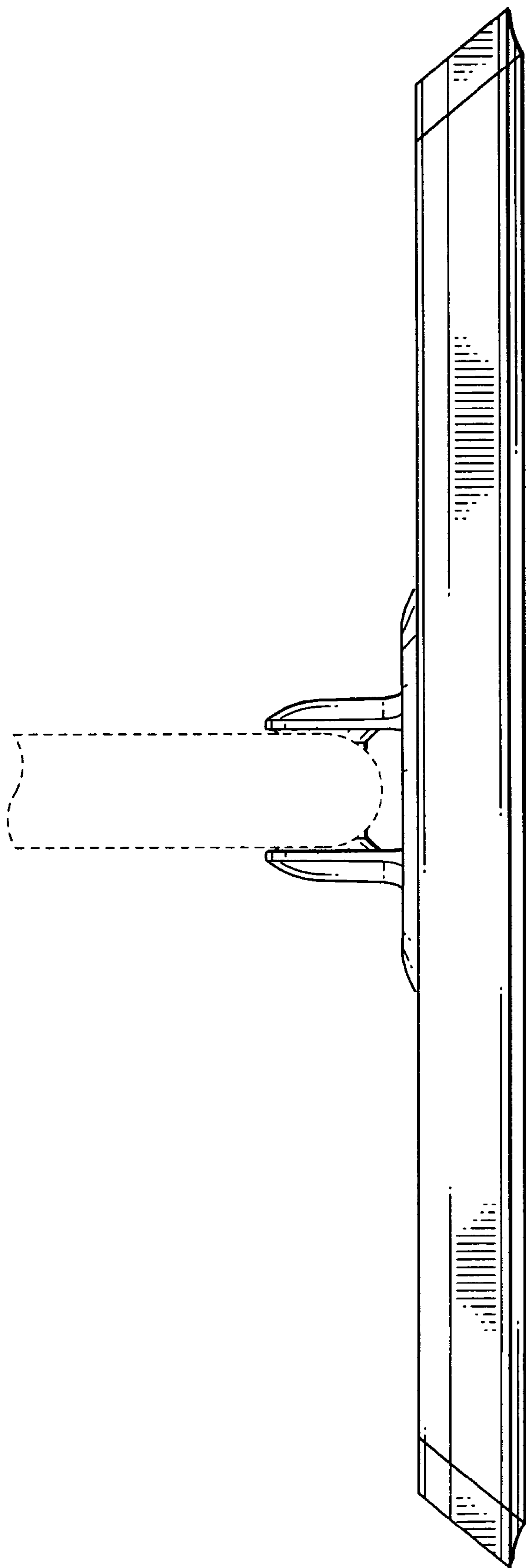


Fig. 11

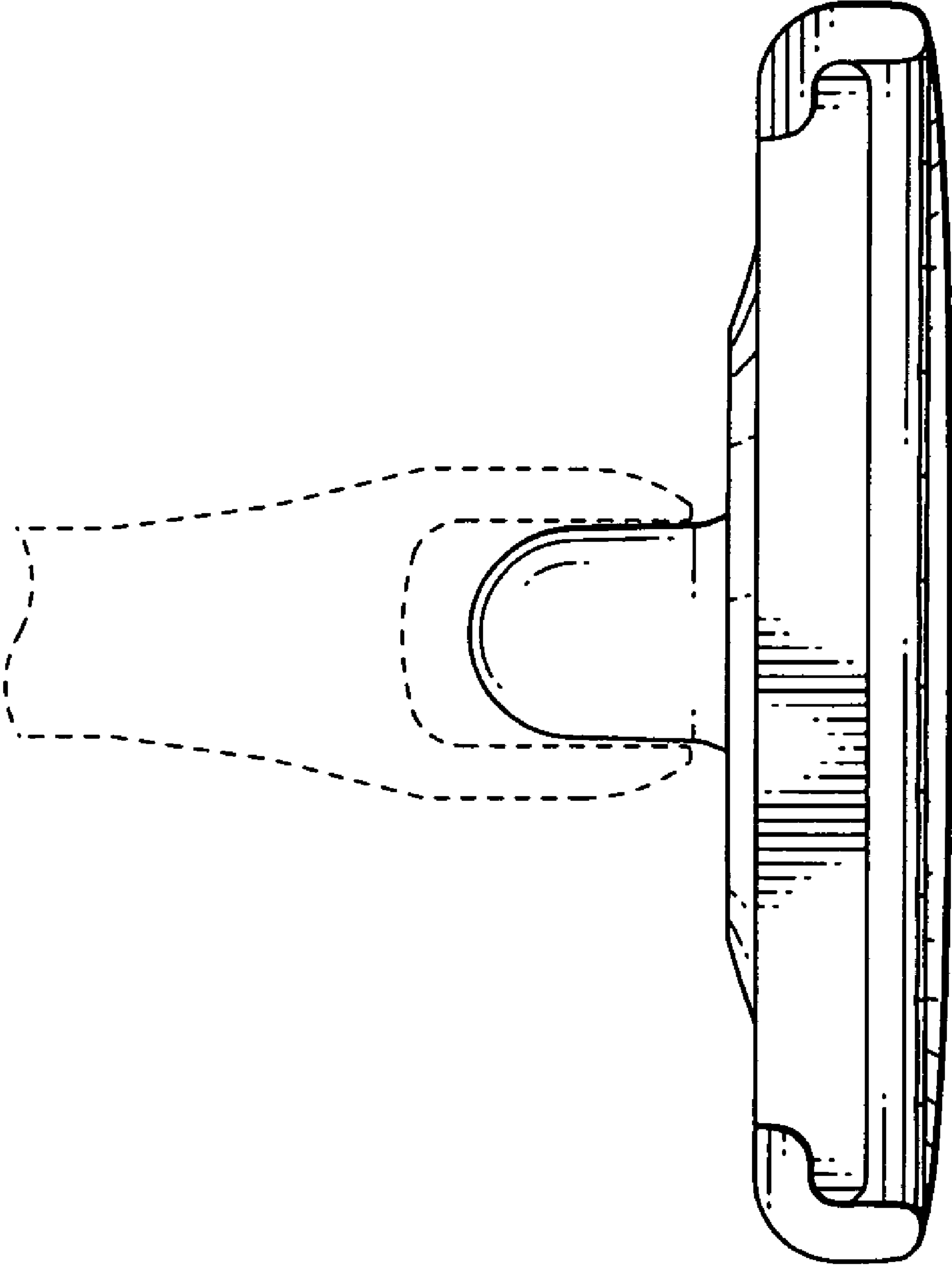


Fig. 12