



US00D588764S

(12) **United States Design Patent**
Medema et al.

(10) **Patent No.:** **US D588,764 S**
(45) **Date of Patent:** **** Mar. 17, 2009**

(54) **HAND HELD VACUUM CLEANER NOZZLE**

(75) Inventors: **Douglas J. Medema**, Belding, MI (US);
Justin Benacquisto, Grand Rapids, MI
(US); **Timothy S. Parker**, Rockford, MI
(US)

(73) Assignee: **BISSELL Homecare, Inc.**, Grand
Rapids, MI (US)

(**) Term: **14 Years**

(21) Appl. No.: **29/305,039**

(22) Filed: **Mar. 12, 2008**

(51) **LOC (9) Cl.** **15-05**

(52) **U.S. Cl.** **D32/31**

(58) **Field of Classification Search** D32/17-18,
D32/31; 15/329, 344, 320-321, 415.1, 420,
15/421, 422, 339, 353

See application file for complete search history.

(56) **References Cited**

U.S. PATENT DOCUMENTS

D458,718 S *	6/2002	Fernandez	D32/18
D459,560 S *	6/2002	Lau	D32/18
D474,867 S *	5/2003	Robinson	D32/18
D480,846 S *	10/2003	Ki	D32/18
D481,842 S *	11/2003	Tai	D32/18

D489,499 S *	5/2004	Buzzi	D32/17
D507,385 S *	7/2005	Ma	D32/18
D515,752 S *	2/2006	Rosenzweig	D32/18
D526,752 S *	8/2006	Rosenzweig	D32/18

* cited by examiner

Primary Examiner—Ruth McInroy

(74) *Attorney, Agent, or Firm*—McGarry Bair PC

(57) **CLAIM**

The ornamental design for a hand held vacuum cleaner nozzle, as shown and described.

DESCRIPTION

FIG. 1 is a front perspective view of a hand held vacuum cleaner nozzle which embodies our design;

FIG. 2 is a front view thereof;

FIG. 3 is a rear view thereof;

FIG. 4 is a right side view thereof;

FIG. 5 is a left side view thereof;

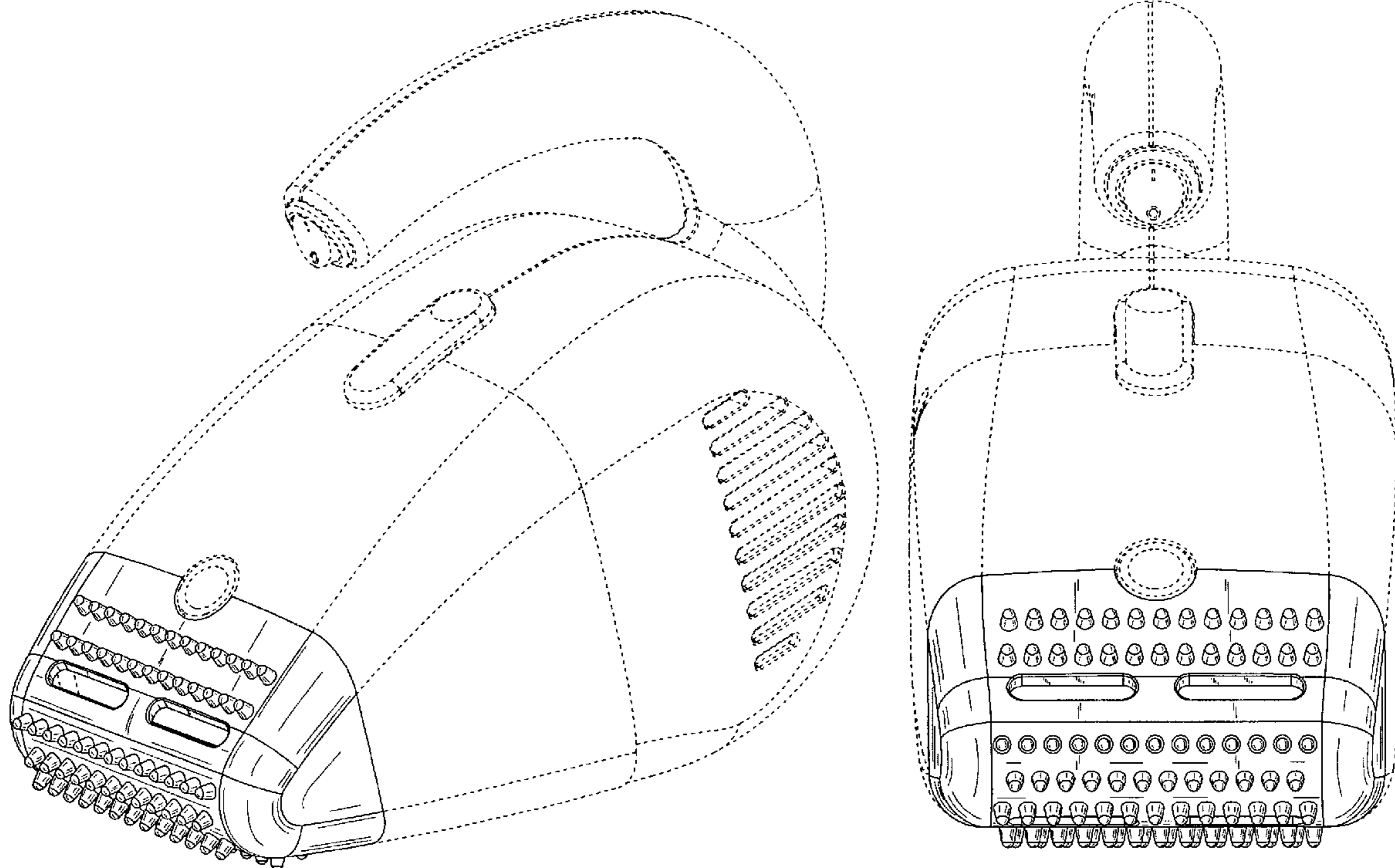
FIG. 6 is a top view thereof;

FIG. 7 is a bottom view thereof; and,

FIG. 8 is a rear perspective view.

The material in dotted lines forms no part of our design.

1 Claim, 6 Drawing Sheets



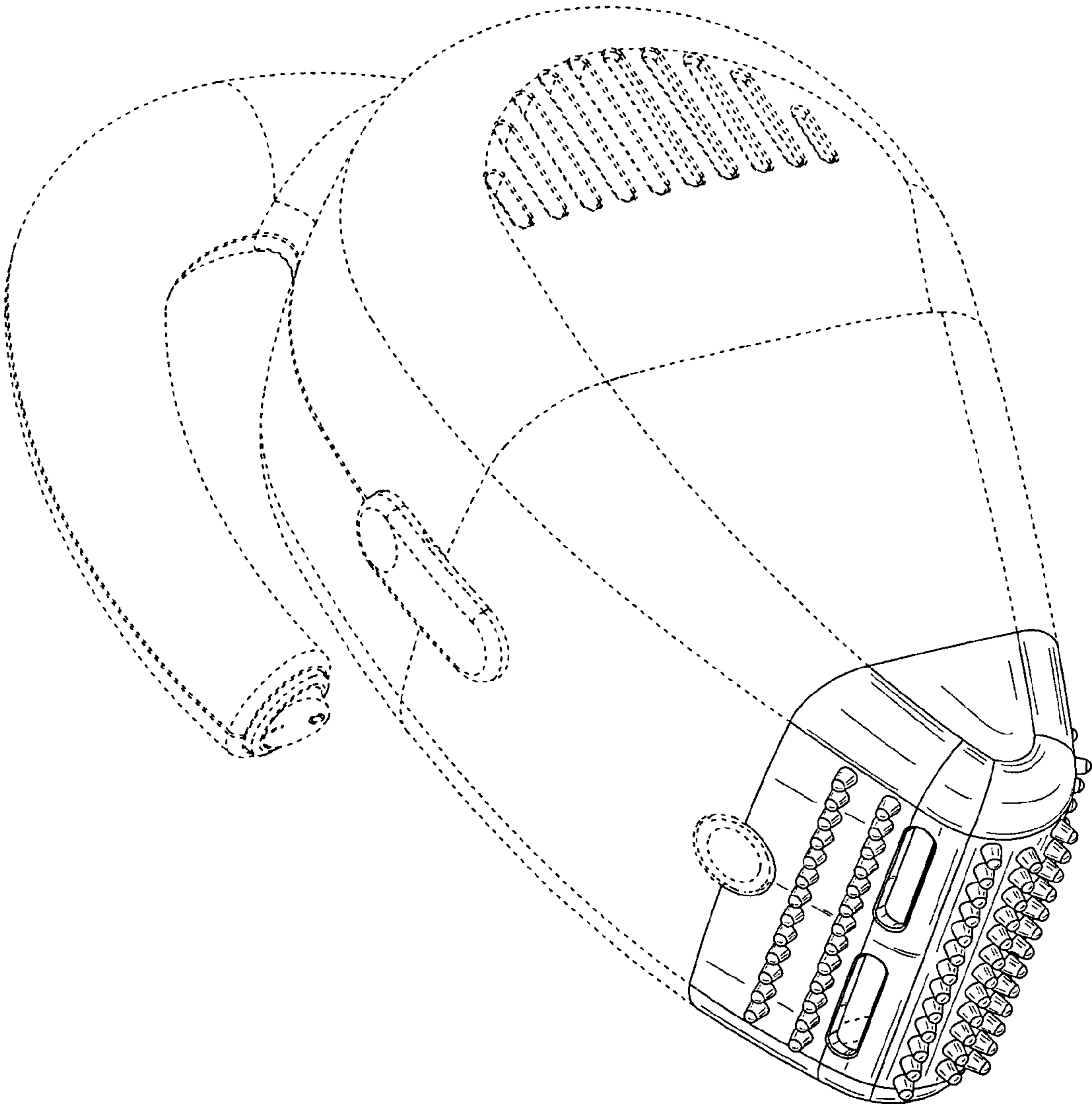


Fig. 1

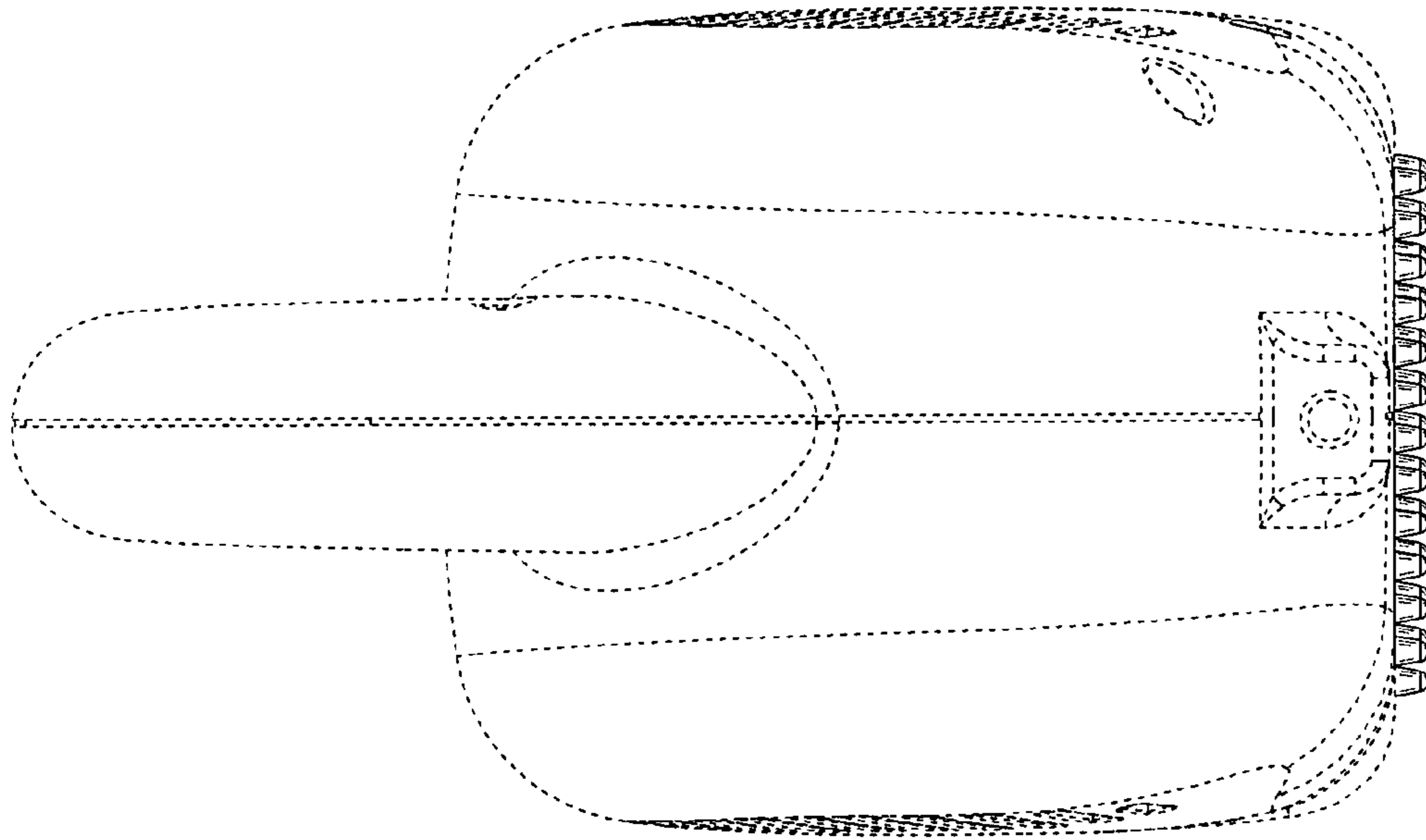


Fig. 2

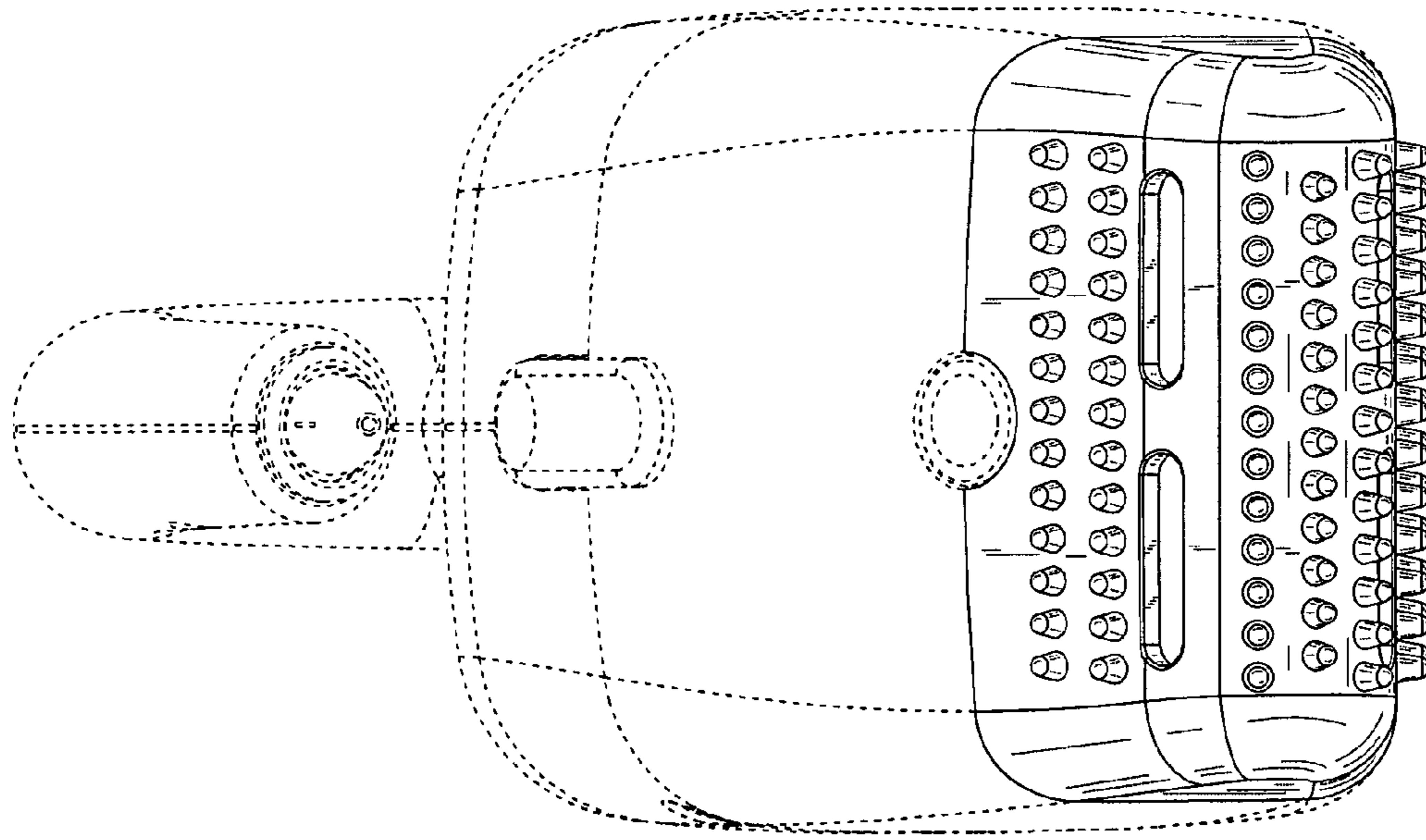


Fig. 3

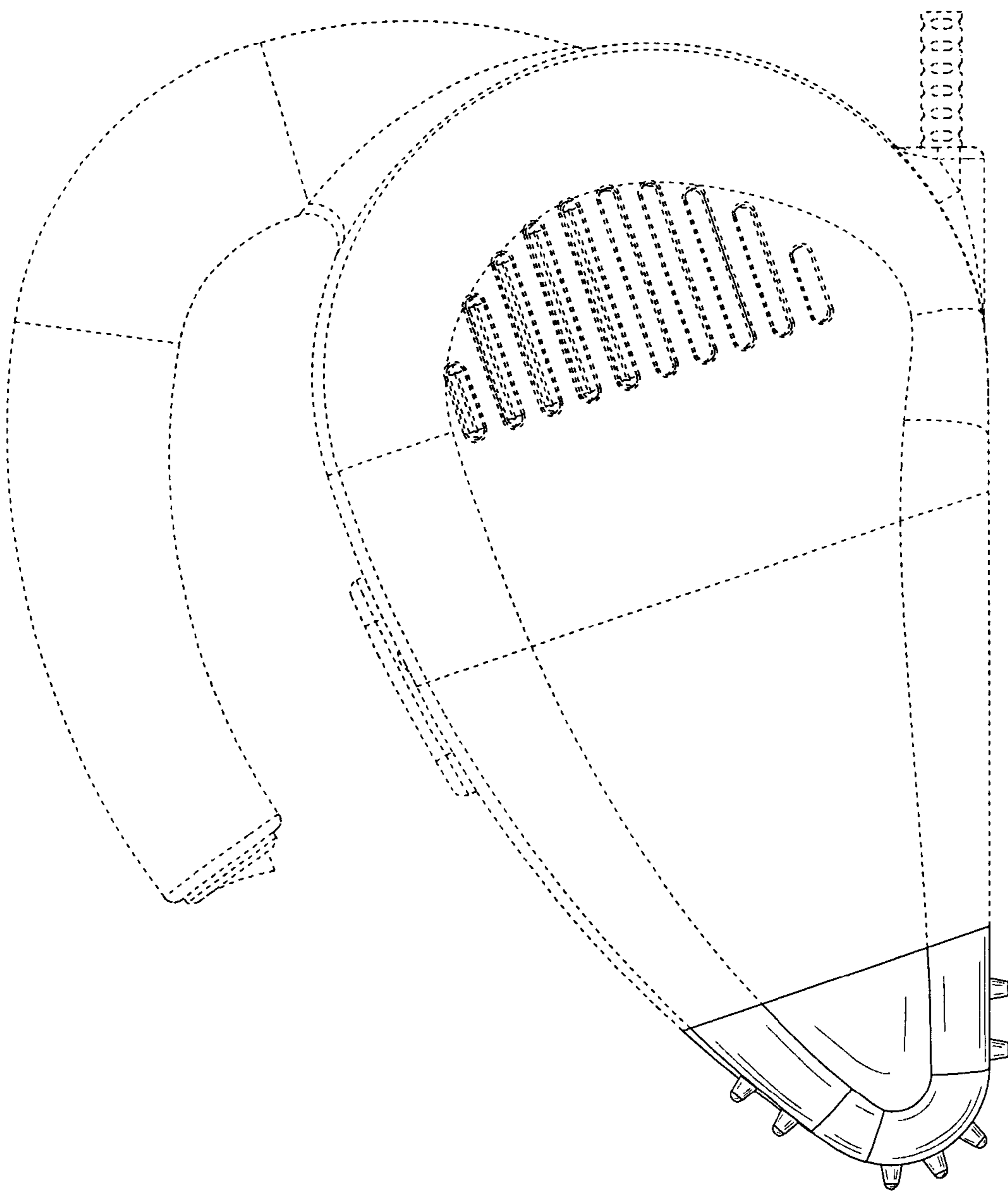


Fig. 4

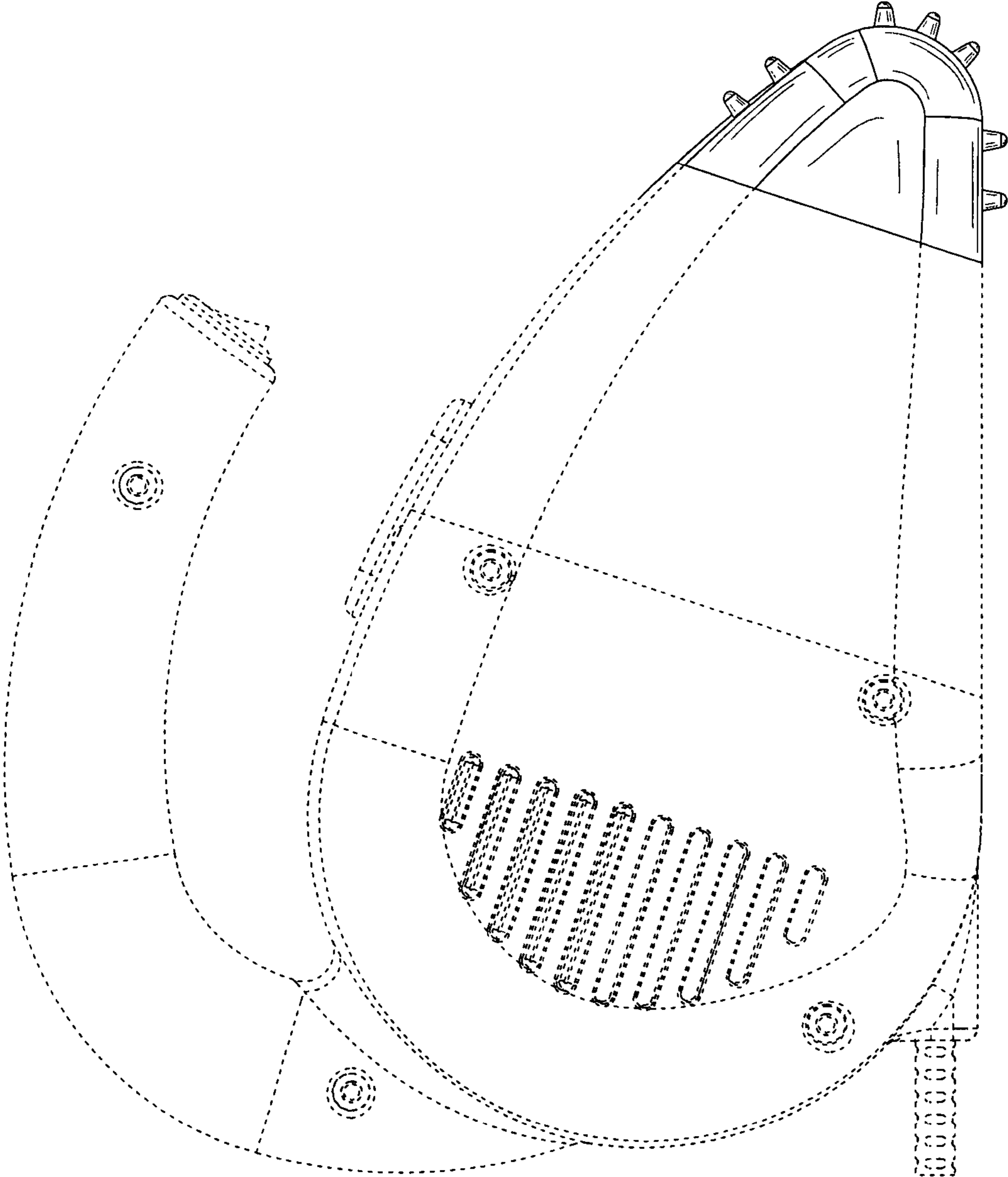


Fig. 5

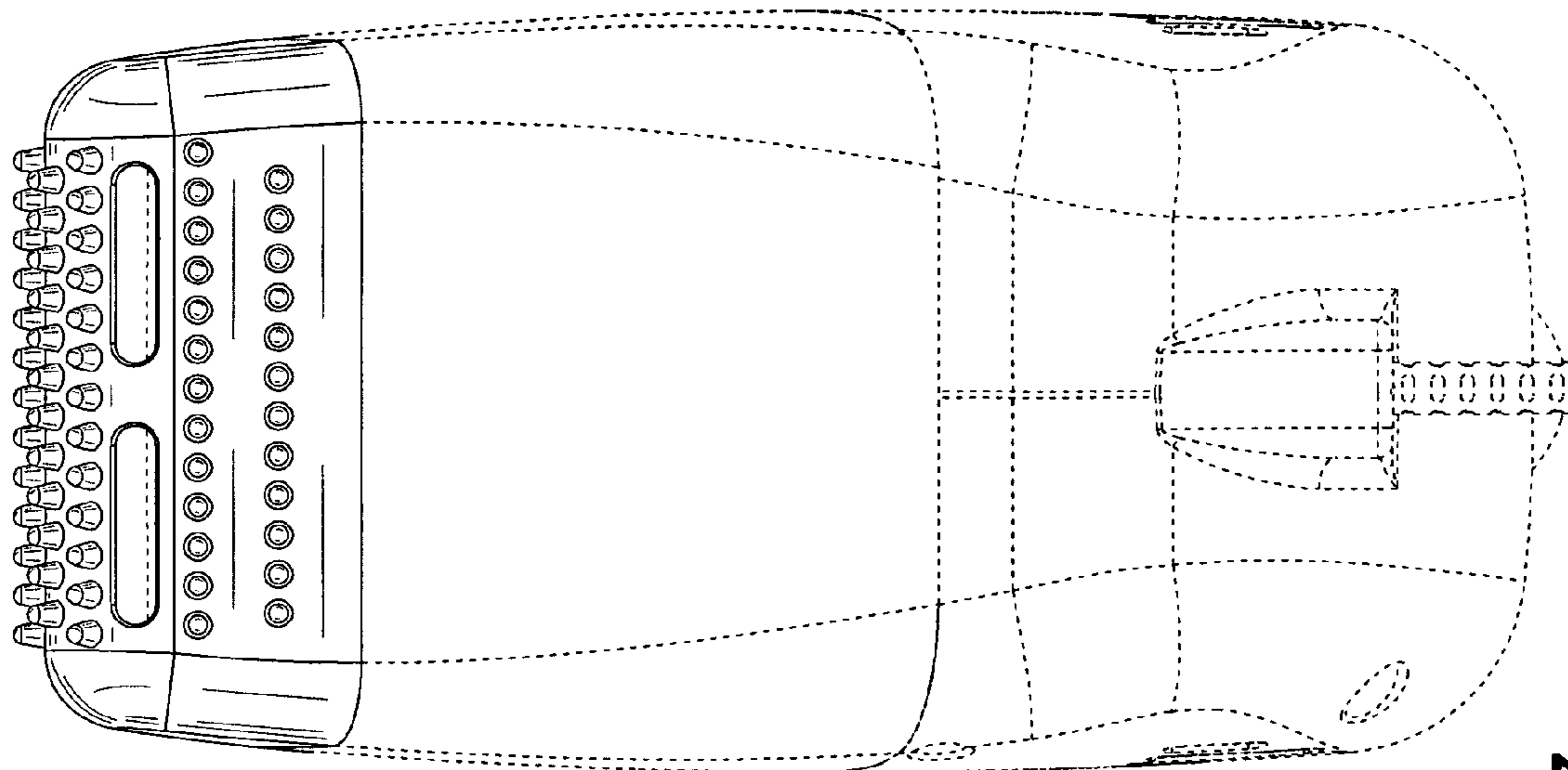


Fig. 7

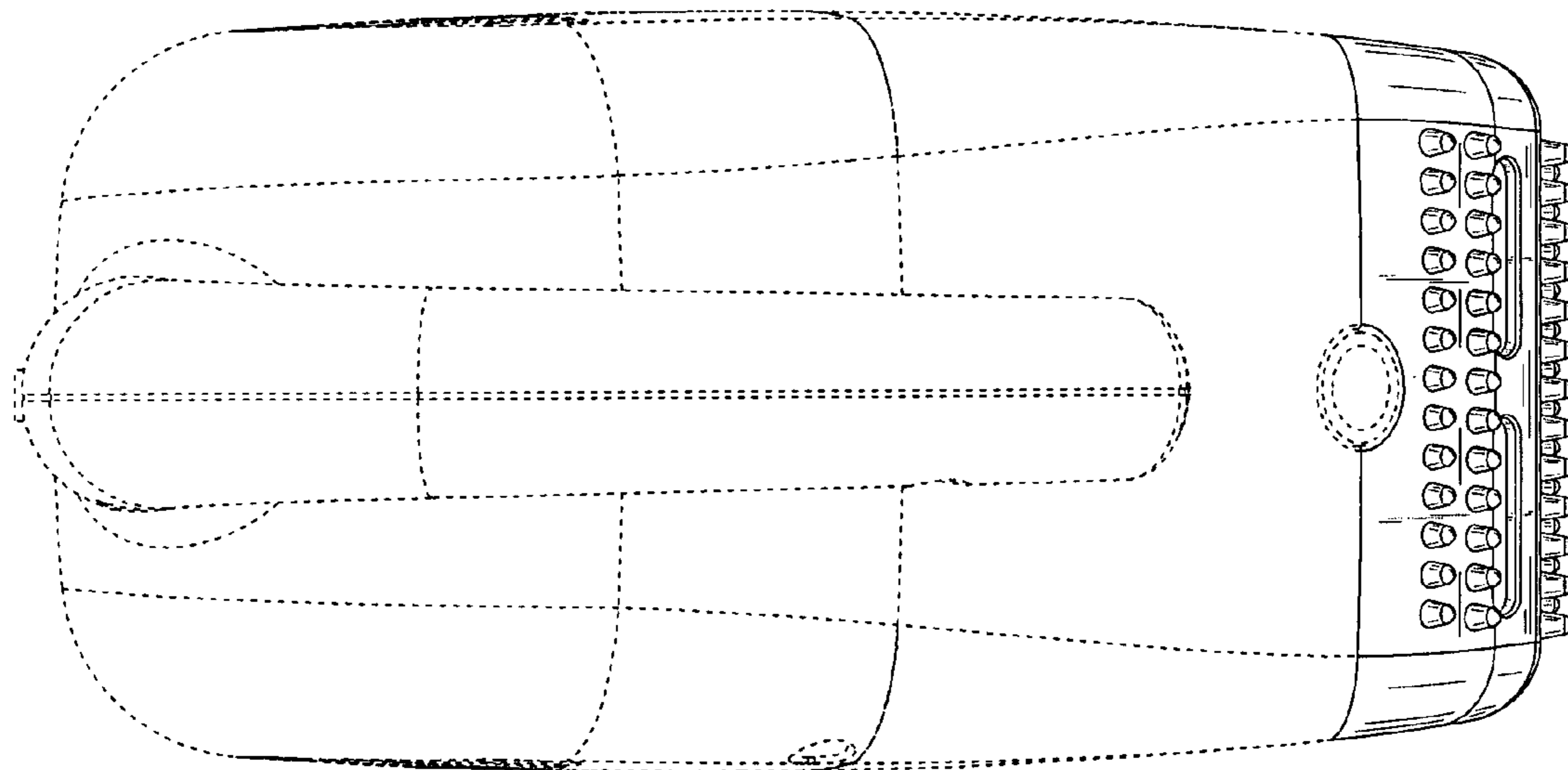


Fig. 6

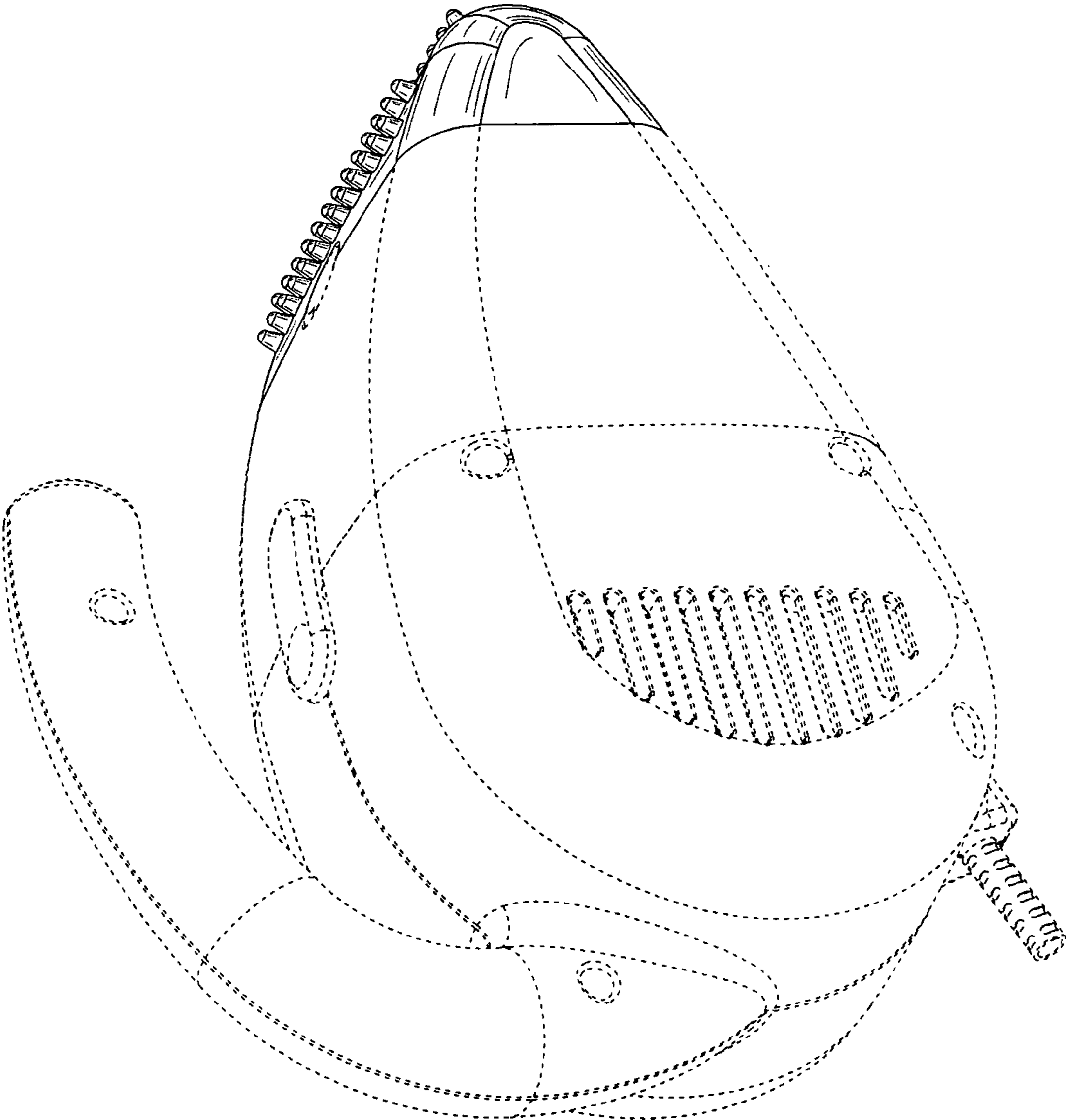


Fig. 8