



US00D588763S

(12) **United States Design Patent**
Medema et al.

(10) **Patent No.:** **US D588,763 S**
(45) **Date of Patent:** **** Mar. 17, 2009**

(54) **HAND HELD VACUUM CLEANER BODY**

(75) Inventors: **Douglas J. Medema**, Belding, MI (US);
Justin Benacquisto, Grand Rapids, MI (US);
Timothy S. Parker, Rockford, MI (US)

(73) Assignee: **BISSELL Homecare, Inc.**, Grand Rapids, MI (US)

(**) Term: **14 Years**

(21) Appl. No.: **29/305,038**

(22) Filed: **Mar. 12, 2008**

(51) **LOC (9) Cl.** **15-05**

(52) **U.S. Cl.** **D32/31**

(58) **Field of Classification Search** D32/17-18,
D32/31; 15/329, 344, 320-321, 415.1, 420,
15/421, 422, 339, 353

See application file for complete search history.

(56) **References Cited**

U.S. PATENT DOCUMENTS

- 4,209,875 A 7/1980 Pugh et al.
- 4,577,365 A 3/1986 Yuen
- D458,718 S * 6/2002 Fernandez D32/18
- D474,867 S * 5/2003 Robinson D32/18

- D489,499 S * 5/2004 Buzzi D32/17
- D515,752 S * 2/2006 Rosenzweig D32/18
- D526,752 S * 8/2006 Rosenzweig D32/18

* cited by examiner

Primary Examiner—Ruth McInroy

(74) *Attorney, Agent, or Firm*—McGarry Bair, PC

(57) **CLAIM**

The ornamental design for a hand held vacuum cleaner body, as shown and described.

DESCRIPTION

FIG. 1 is a front perspective view of a hand held vacuum cleaner body which embodies our design;

FIG. 2 is a front view thereof;

FIG. 3 is a rear view thereof;

FIG. 4 is a right side view thereof;

FIG. 5 is a left side view thereof;

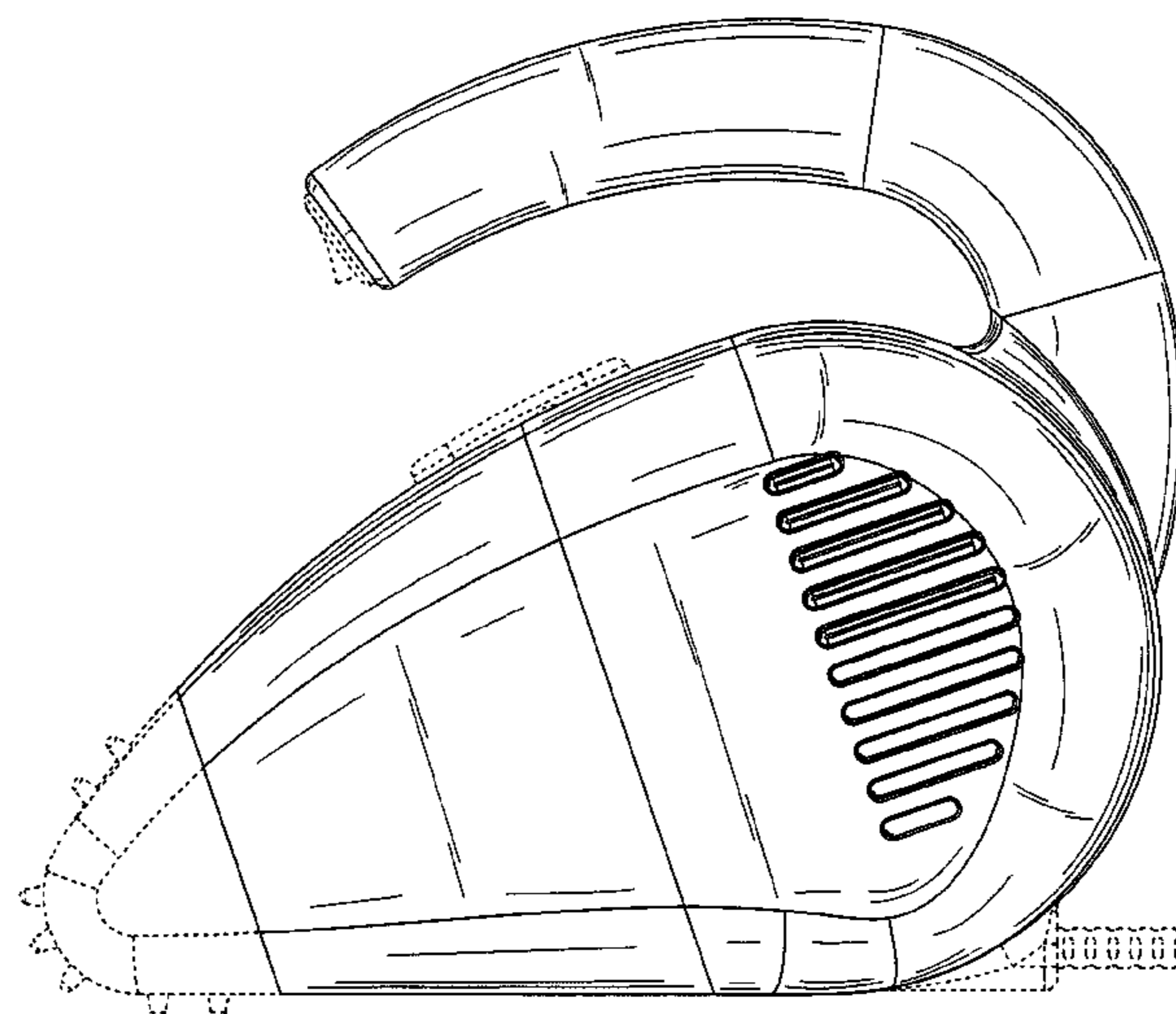
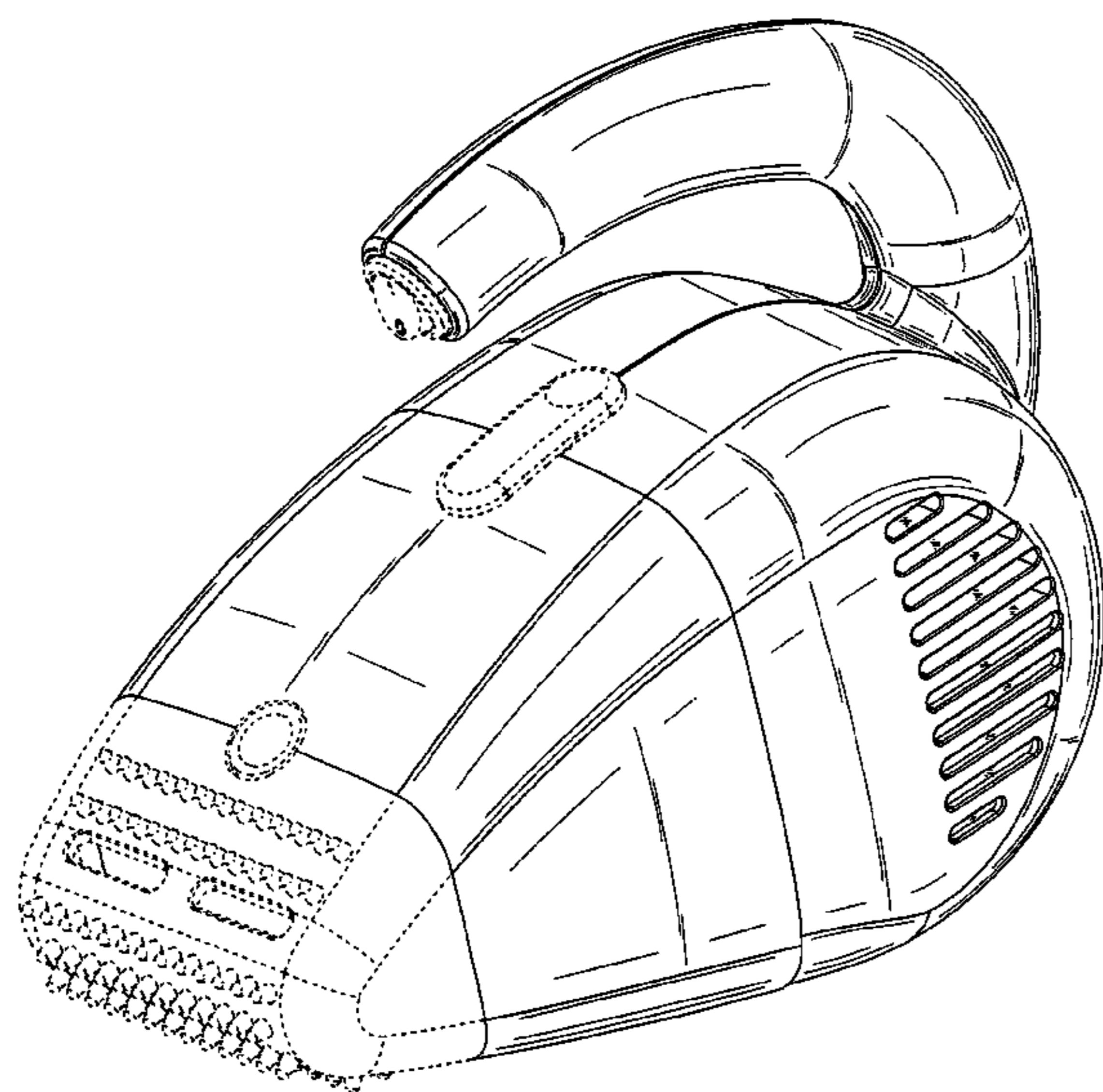
FIG. 6 is a top view thereof;

FIG. 7 is a bottom view thereof; and,

FIG. 8 is a rear perspective view.

The material in dotted lines forms no part of our design.

1 Claim, 6 Drawing Sheets



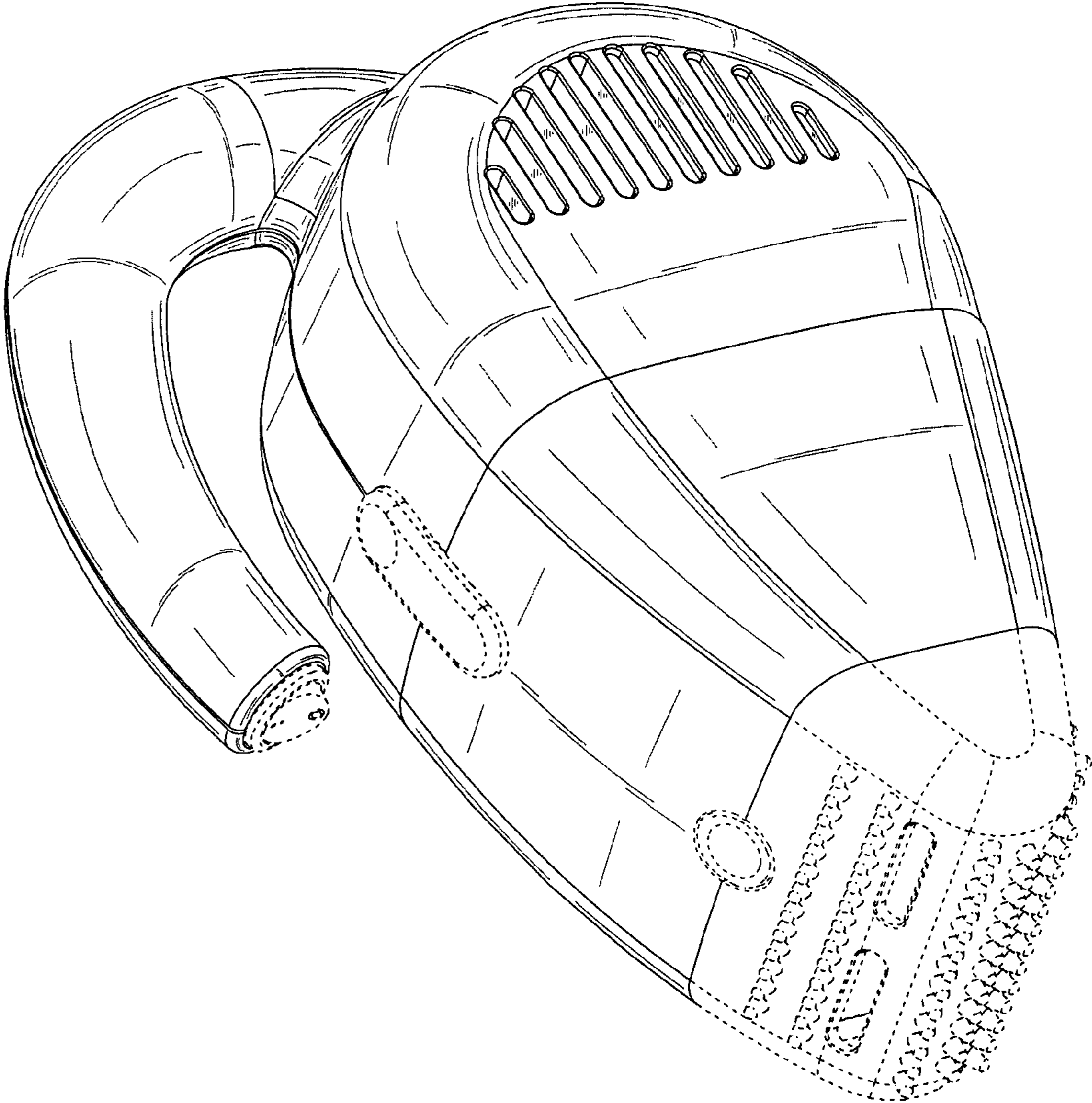


Fig. 1

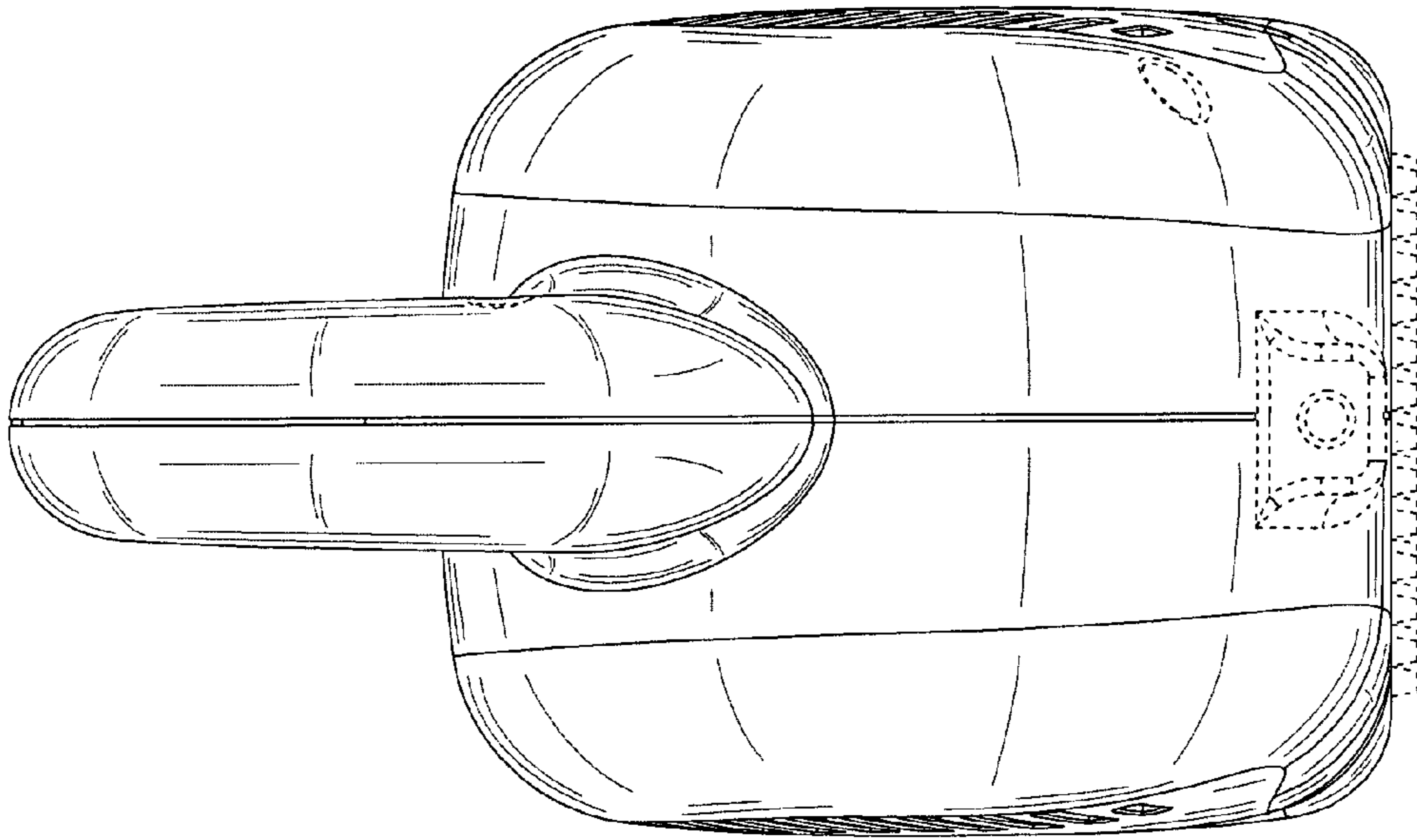


Fig. 2

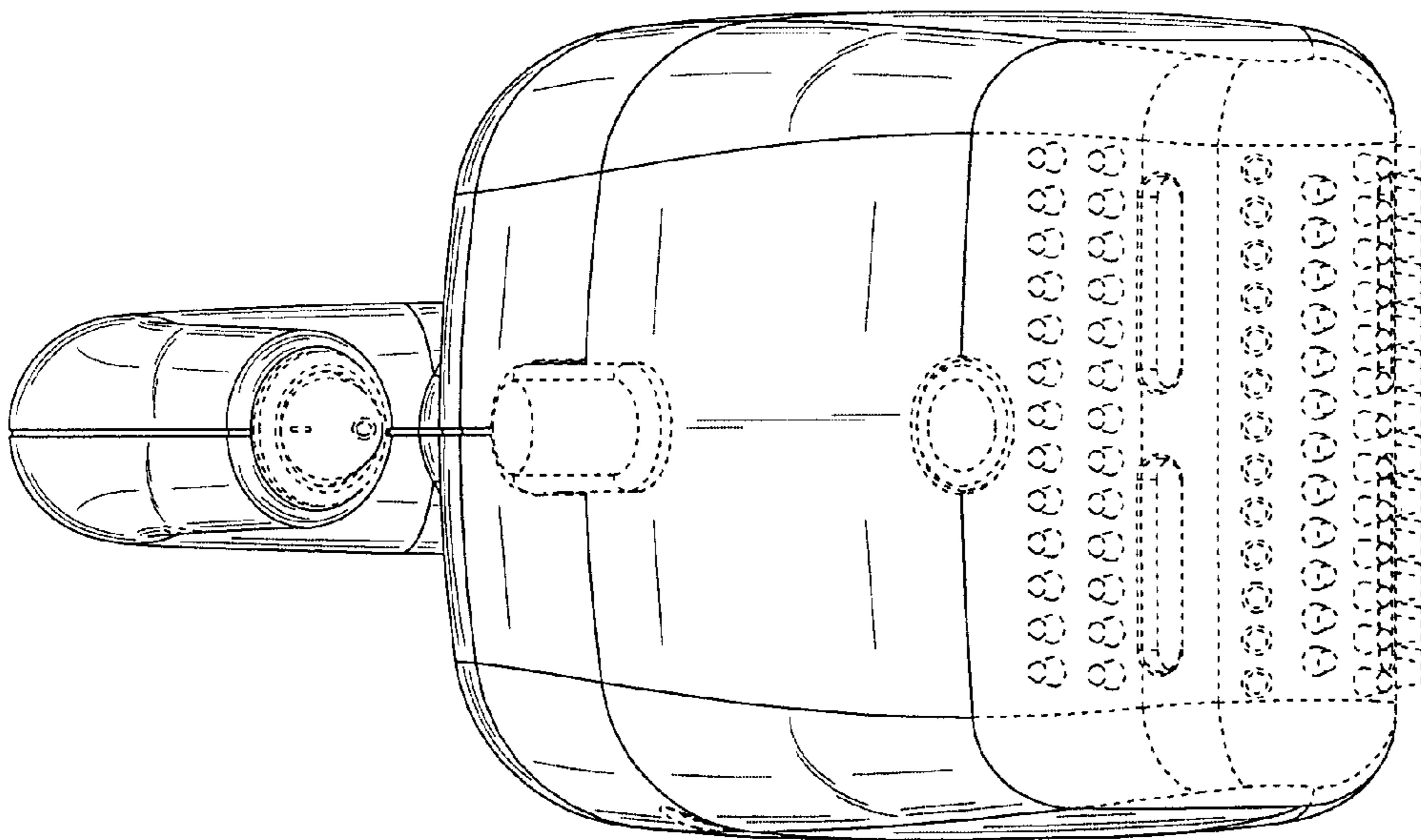


Fig. 3

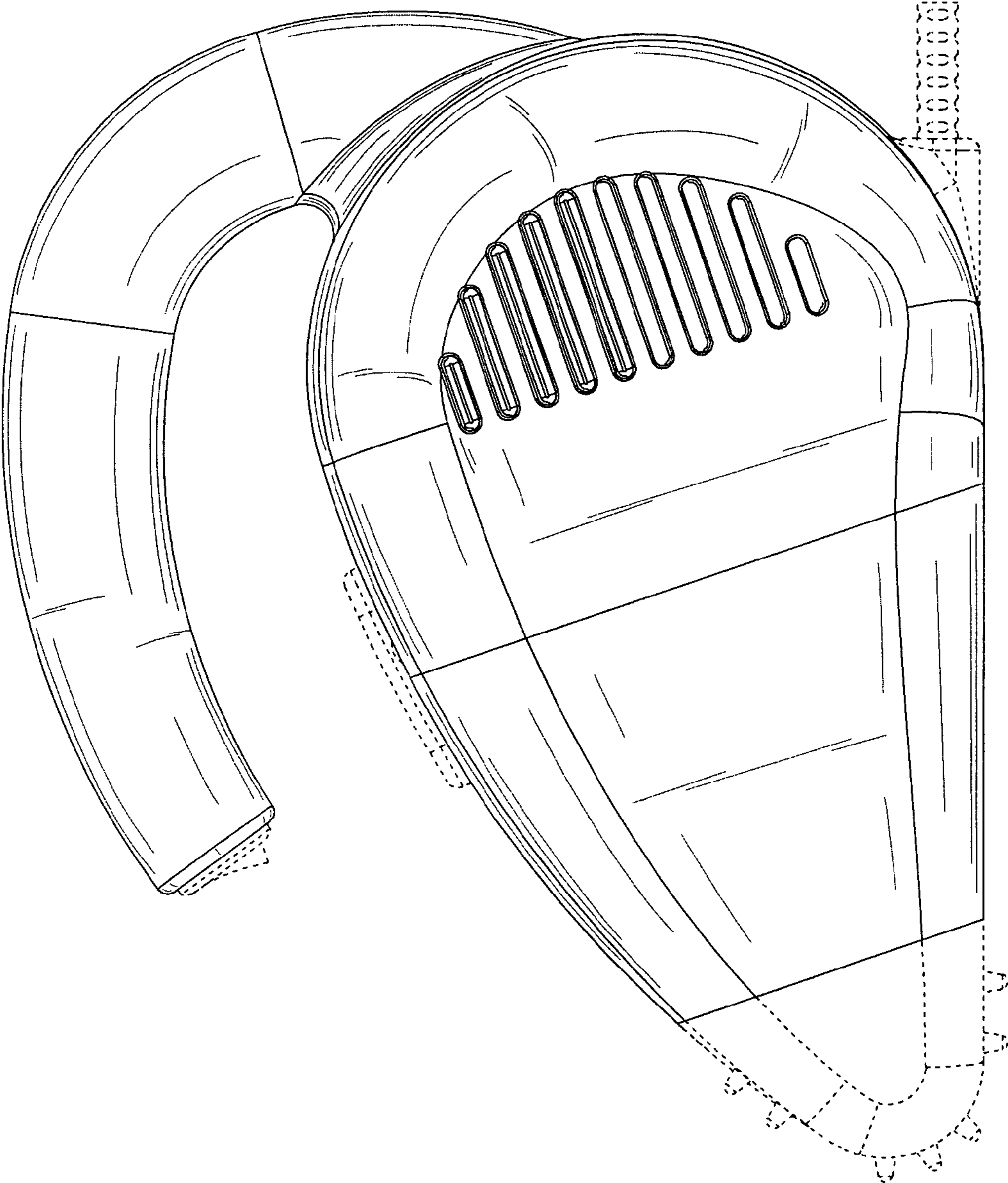


Fig. 4

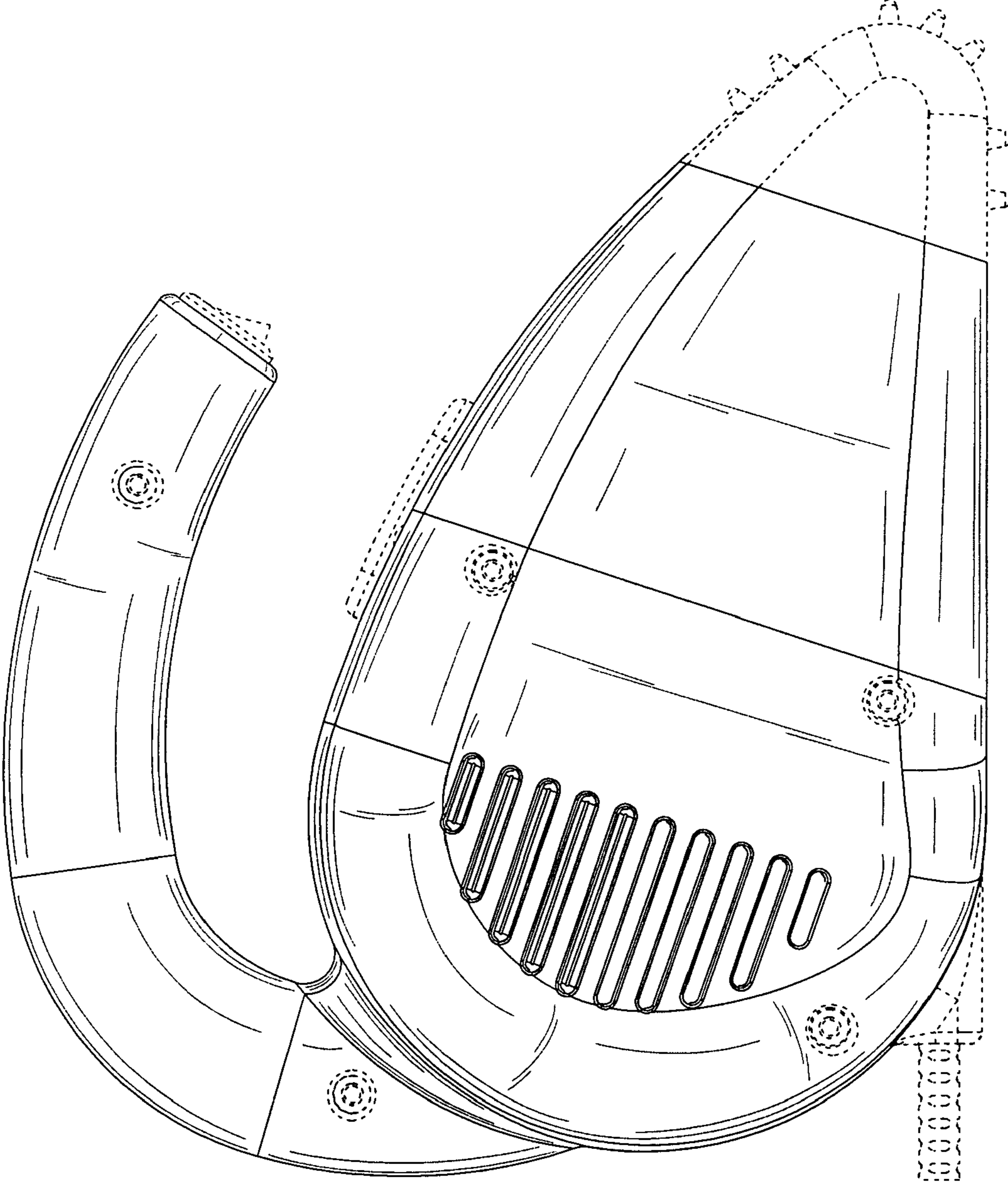


Fig. 5

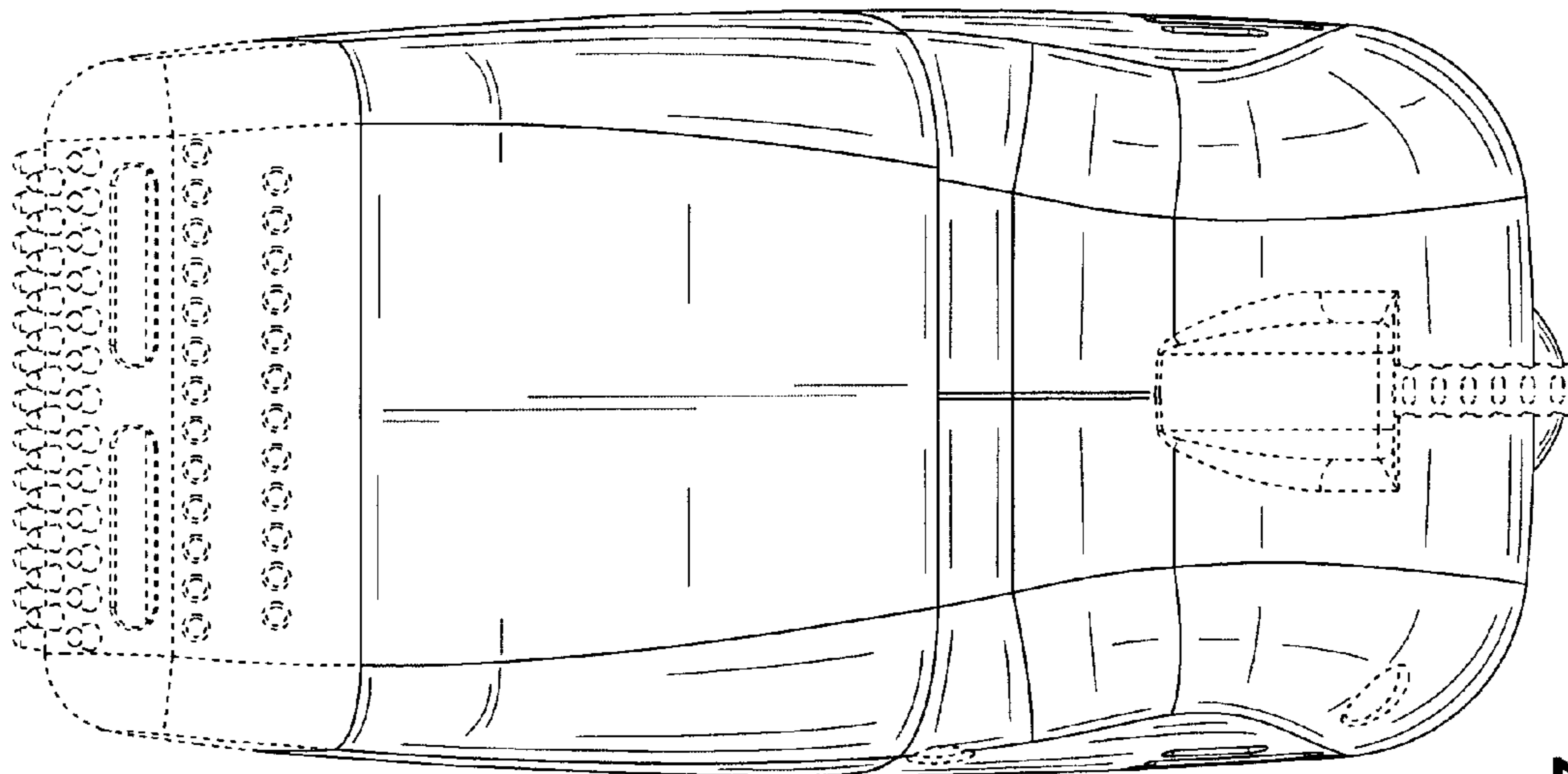


Fig. 6

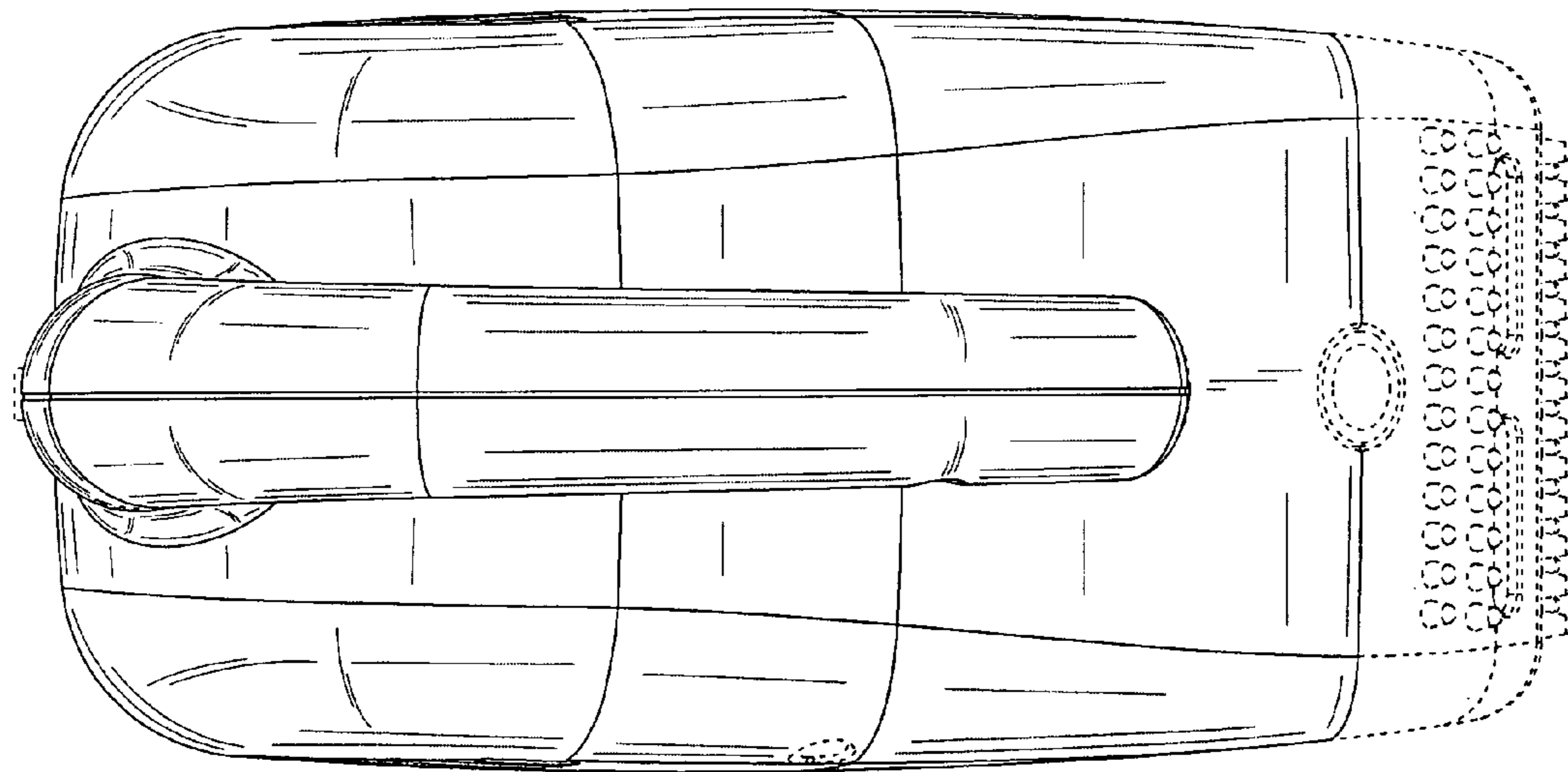


Fig. 7

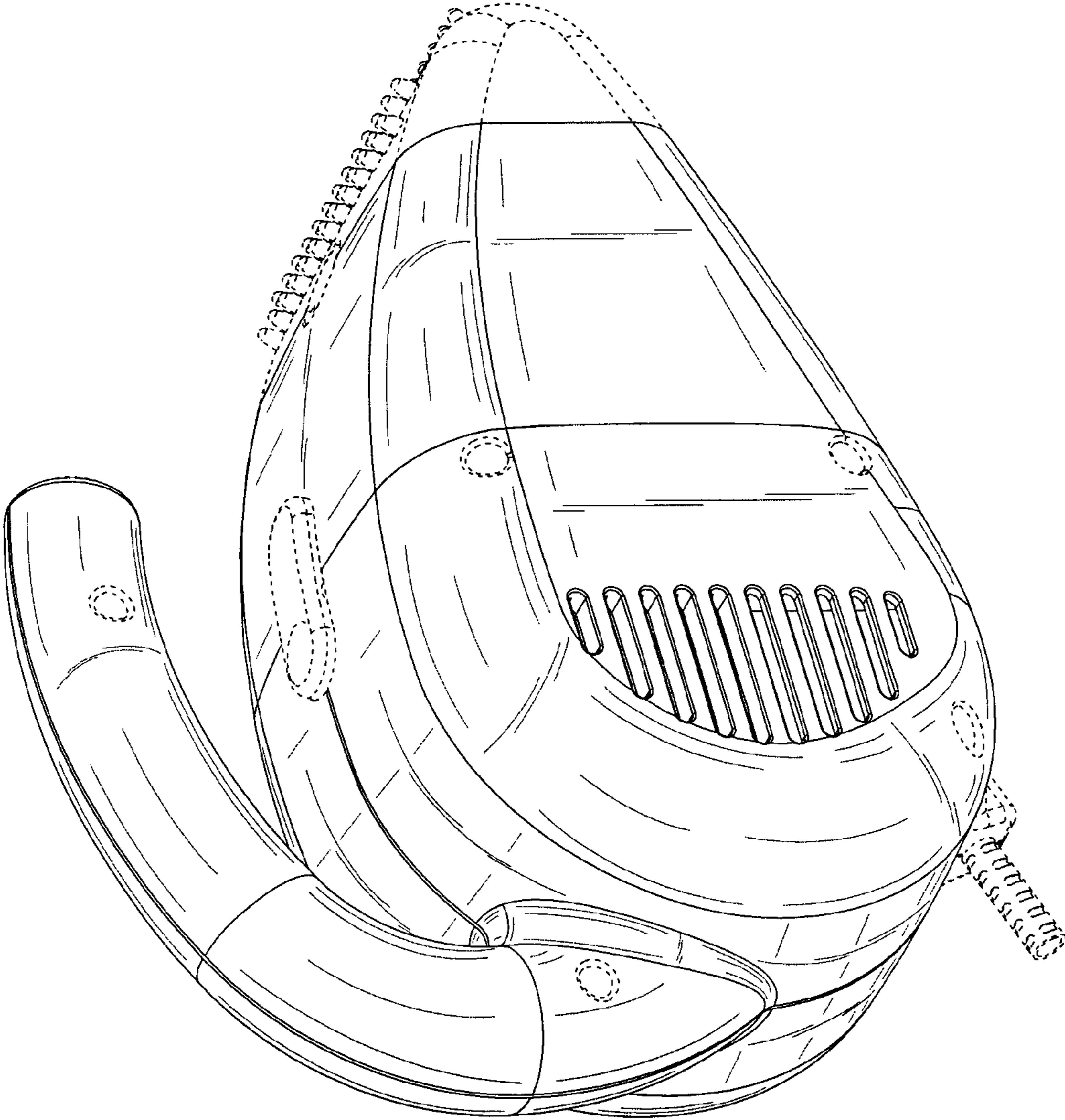


Fig. 8