



US00D588760S

(12) **United States Design Patent**  
**Chun et al.**

(10) **Patent No.:** **US D588,760 S**  
(45) **Date of Patent:** **\*\* Mar. 17, 2009**

(54) **VACUUM CLEANER**

(75) Inventors: **Dong Won Chun**, Kyunggi-do (KR);  
**Jeong Min Kim**, Seoul (KR); **Sung Hoon Jung**, Kyunggi-do (KR); **Joon Taek Lee**, Kyunggi-do (KR); **Young Seok Lee**, Seoul (KR)

(73) Assignee: **Samsung Electronics Co., Ltd.**, Suwon (KR)

(\*\*) Term: **14 Years**

(21) Appl. No.: **29/324,598**

(22) Filed: **Sep. 16, 2008**

(51) **LOC (9) Cl.** ..... **15-05**

(52) **U.S. Cl.** ..... **D32/22**

(58) **Field of Classification Search** ..... D32/22,  
D32/30-31; 15/320, 329, 335, 340.2, 347,  
15/350-353, 361, 363, 410, 412, 414, 327.1,  
15/327.2, 327.4, 327.6, 415.1, 411; 55/345,  
55/DIG. 3, 336, 337, 429, 343, 433, 418;  
95/271; 301/7, 63.101; 280/78, 47.31, 205  
See application file for complete search history.

(56) **References Cited**

**U.S. PATENT DOCUMENTS**

D462,813 S \* 9/2002 Nakano et al. .... D32/22  
D498,887 S \* 11/2004 Kent ..... D32/22

D510,465 S \* 10/2005 Takahashi et al. .... D32/22  
D533,697 S \* 12/2006 Ikeno et al. .... D32/22  
D535,069 S \* 1/2007 Breit ..... D32/22  
7,337,493 B2 \* 3/2008 Ueyama et al. .... 15/352  
D571,065 S \* 6/2008 Luebbering ..... D32/31  
D573,759 S \* 7/2008 Konno et al. .... D32/22  
7,430,783 B2 \* 10/2008 Williams et al. .... 15/320

\* cited by examiner

*Primary Examiner*—Ruth McInroy

(74) *Attorney, Agent, or Firm*—Ladas and Parry LLP

(57) **CLAIM**

We claim the ornamental design for vacuum cleaner, as shown.

**DESCRIPTION**

FIG. 1 is a top, front and right-side perspective view of a vacuum cleaner showing our new design;  
FIG. 2 is a front-side elevational view thereof;  
FIG. 3 is a rear-side elevational view thereof;  
FIG. 4 is a left-side elevational view thereof;  
FIG. 5 is a right-side elevational view thereof;  
FIG. 6 is a top-side elevational view thereof; and,  
FIG. 7 is a bottom-side elevational view thereof.

**1 Claim, 6 Drawing Sheets**

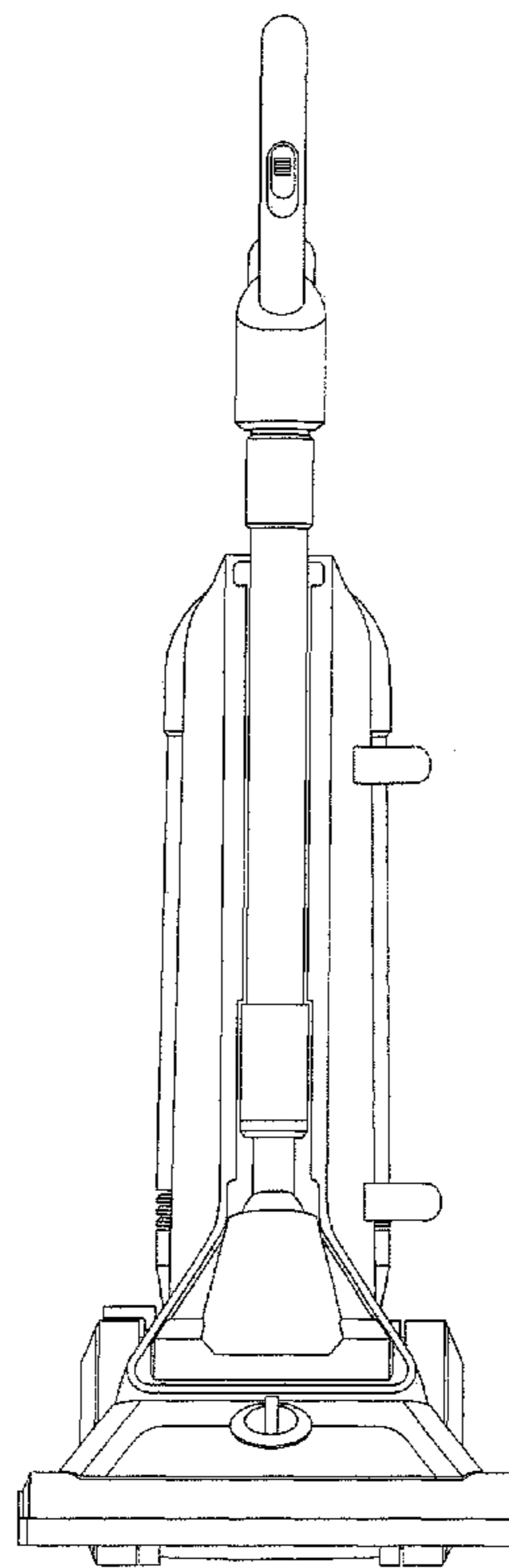
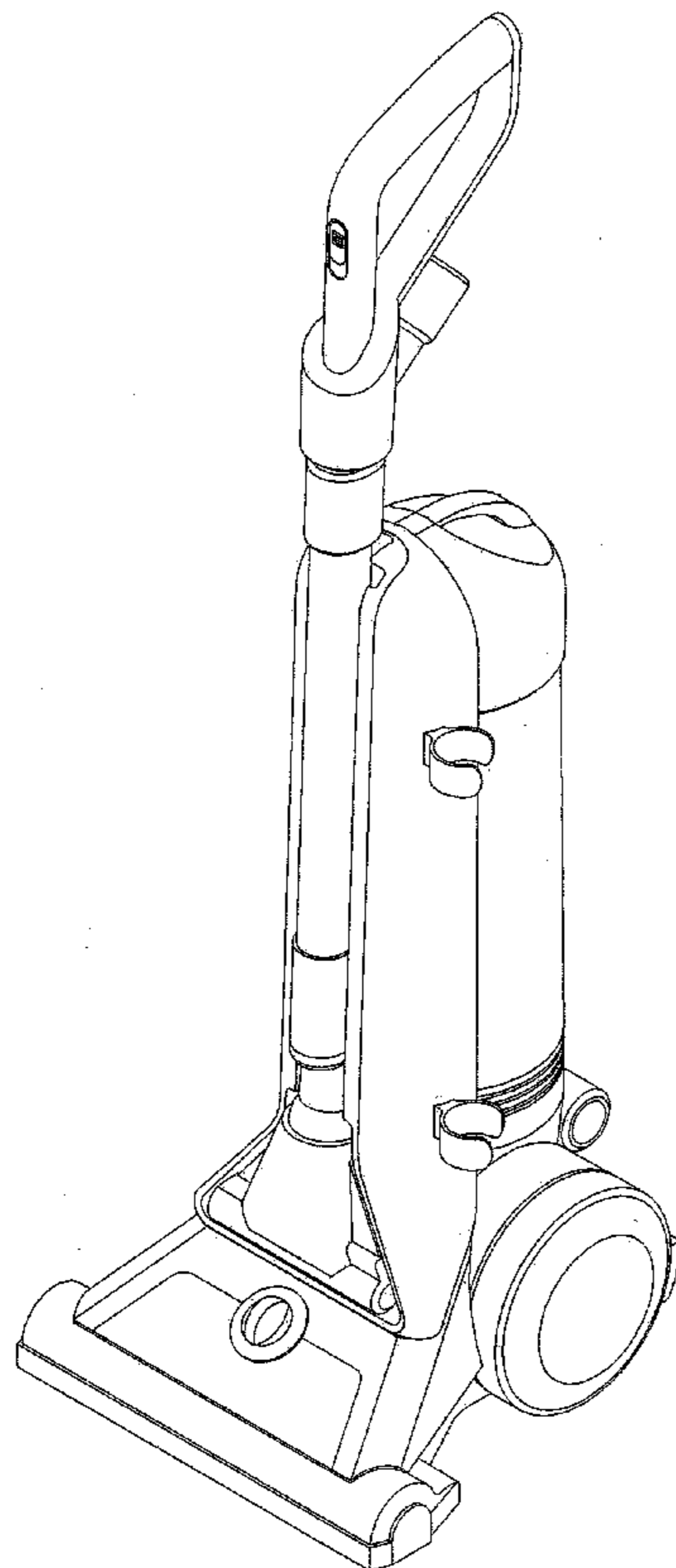


FIG. 1

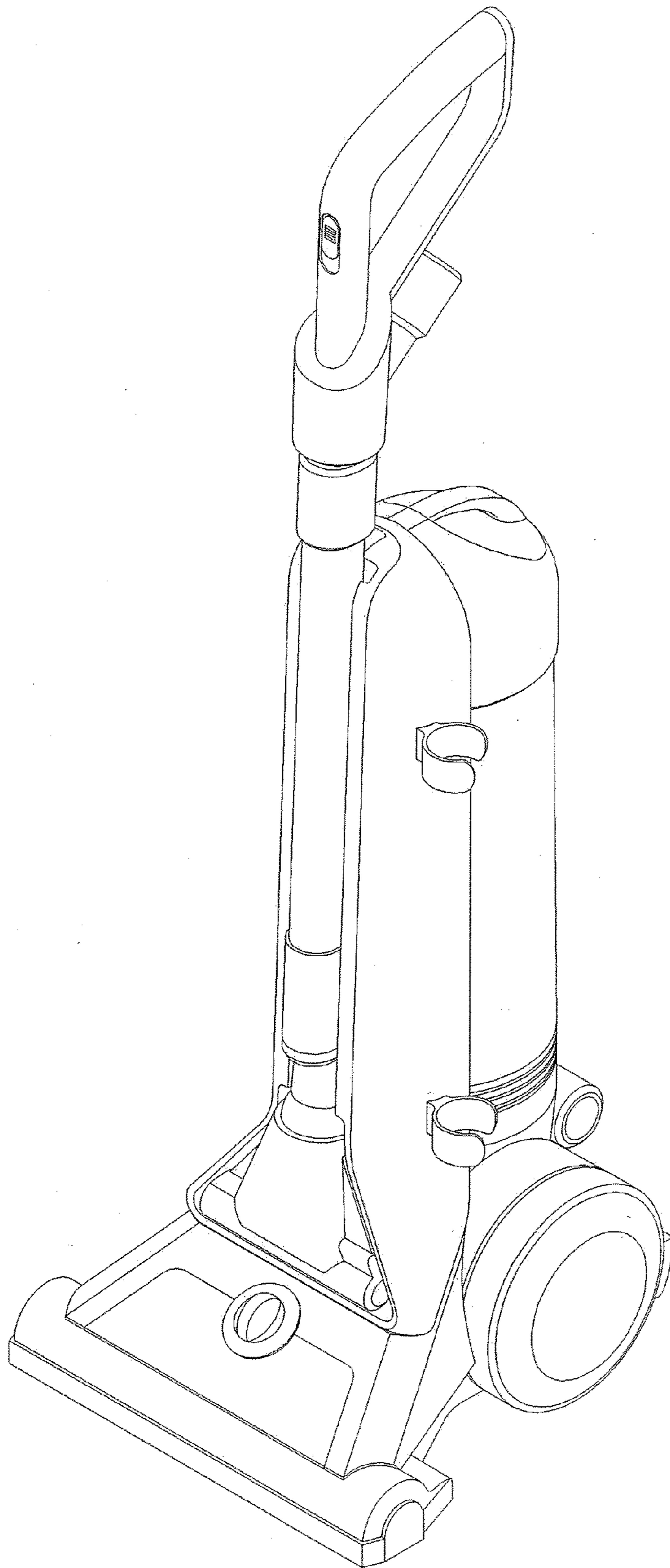


FIG. 2

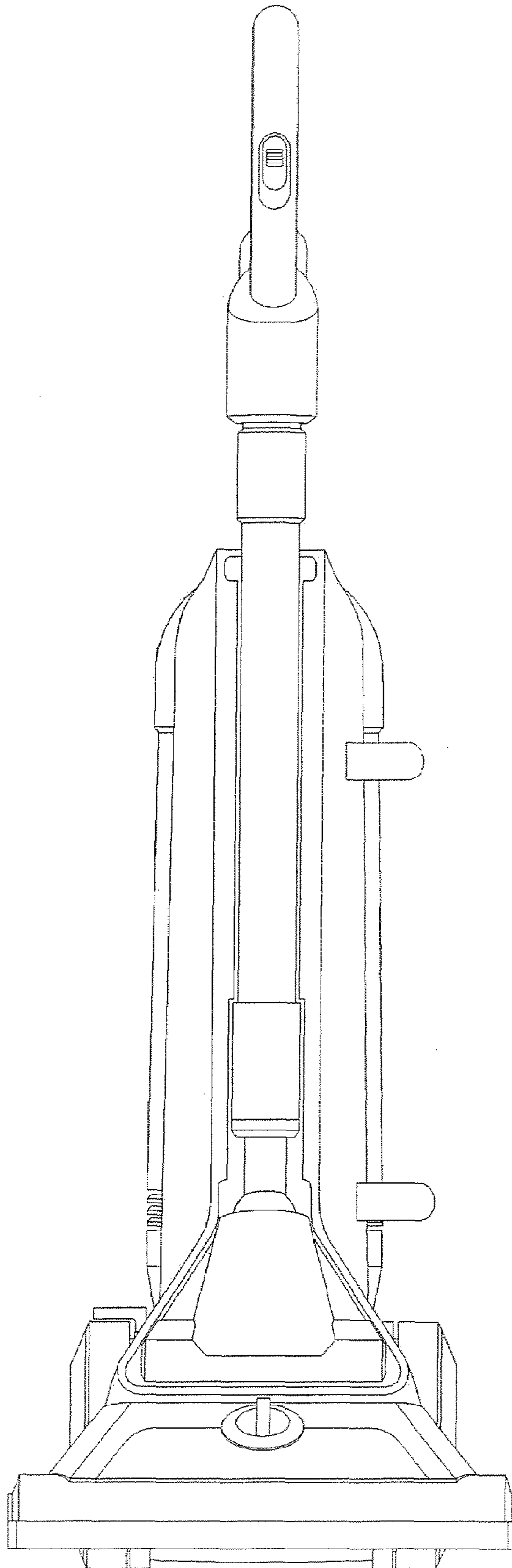


FIG. 3

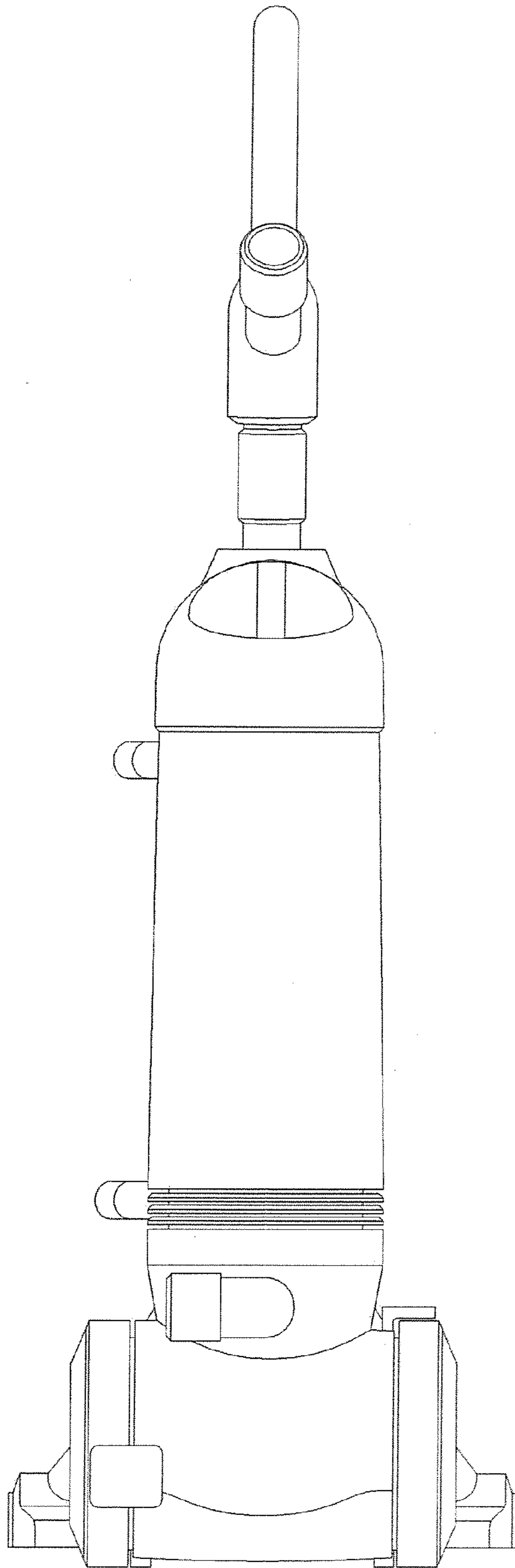


FIG. 4

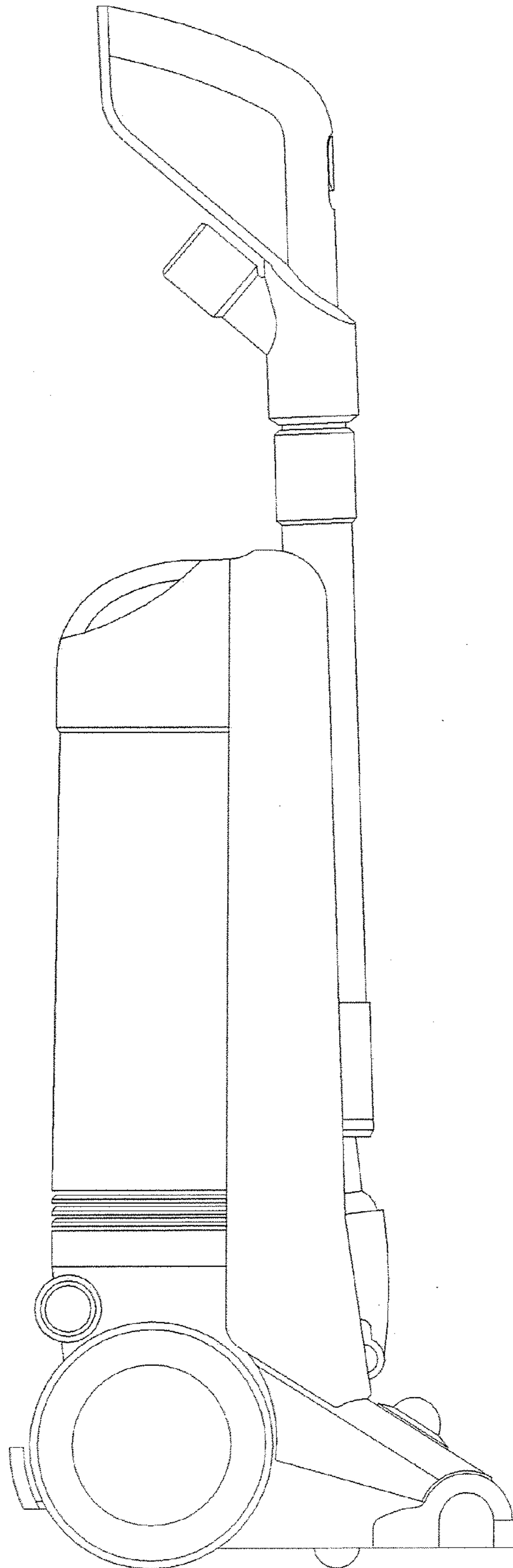


FIG. 5

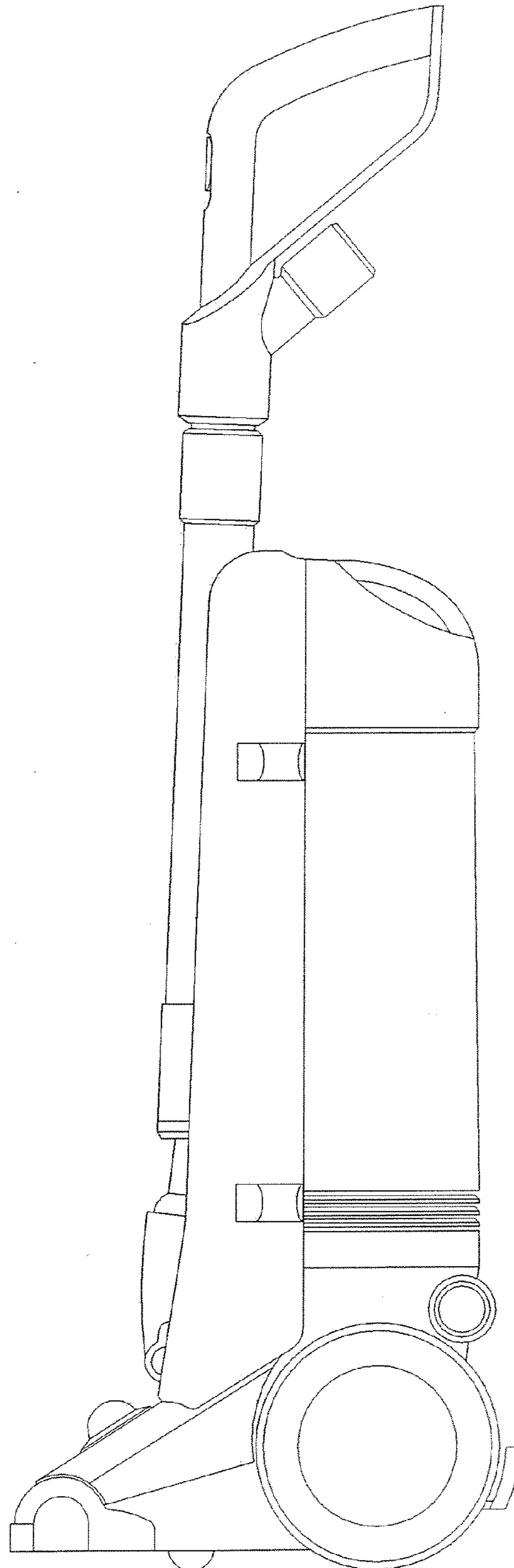


FIG. 6

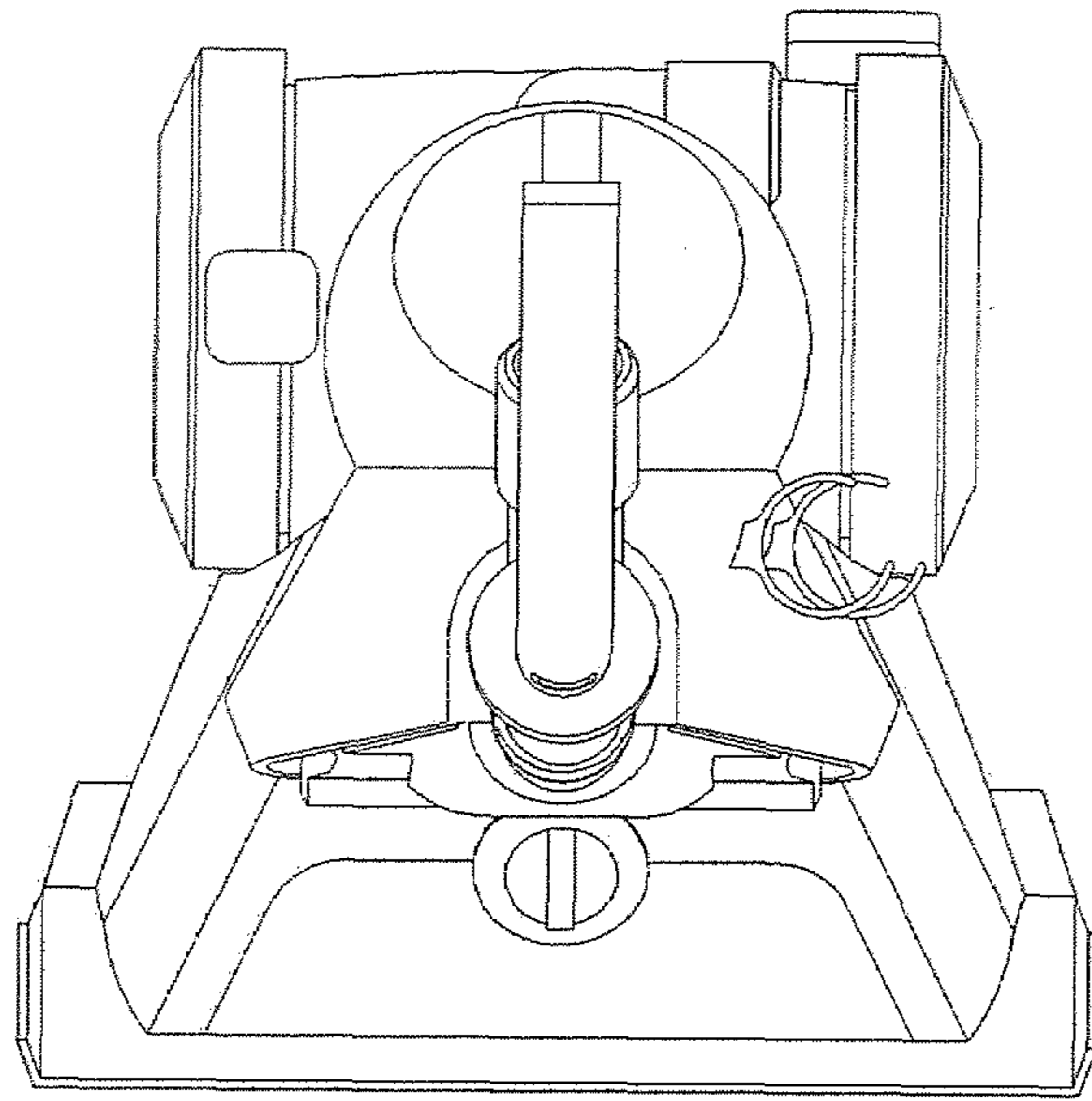


FIG. 7

