



US00D588758S

(12) **United States Design Patent**
Vagges

(10) **Patent No.:** **US D588,758 S**

(45) **Date of Patent:** **** Mar. 17, 2009**

(54) **HAND HELD CLEANER**

(75) Inventor: **Christopher Vagges**, Halesowen (GB)

(73) Assignee: **Grey Technology Limited** (GB)

(**) Term: **14 Years**

(21) Appl. No.: **29/310,220**

(22) Filed: **Aug. 1, 2008**

(30) **Foreign Application Priority Data**

Jul. 2, 2008 (EM) 000962584-0001

(51) **LOC (9) Cl.** **15-05**

(52) **U.S. Cl.** **D32/18**

(58) **Field of Classification Search** D32/17-18,
D32/31; 15/329, 344, 320-321, 415.1, 420,
15/421, 422, 339, 353
See application file for complete search history.

(56) **References Cited**

U.S. PATENT DOCUMENTS

D459,560 S * 6/2002 Lau D32/18
D481,842 S * 11/2003 Tai D32/18
D501,065 S * 1/2005 Ma D32/18

D507,385 S * 7/2005 Ma D32/18
D515,258 S * 2/2006 Robson D32/18
D564,153 S * 3/2008 Fjellman D32/18
D569,059 S * 5/2008 Stratford D32/18

* cited by examiner

Primary Examiner—Ruth McInroy

(74) *Attorney, Agent, or Firm*—Ira S. Dorman

(57) **CLAIM**

The ornamental design for a hand held cleaner, as shown and described.

DESCRIPTION

FIG. 1 is a top plan view of a hand held cleaner showing my new design;

FIG. 2 is a bottom plan view thereof;

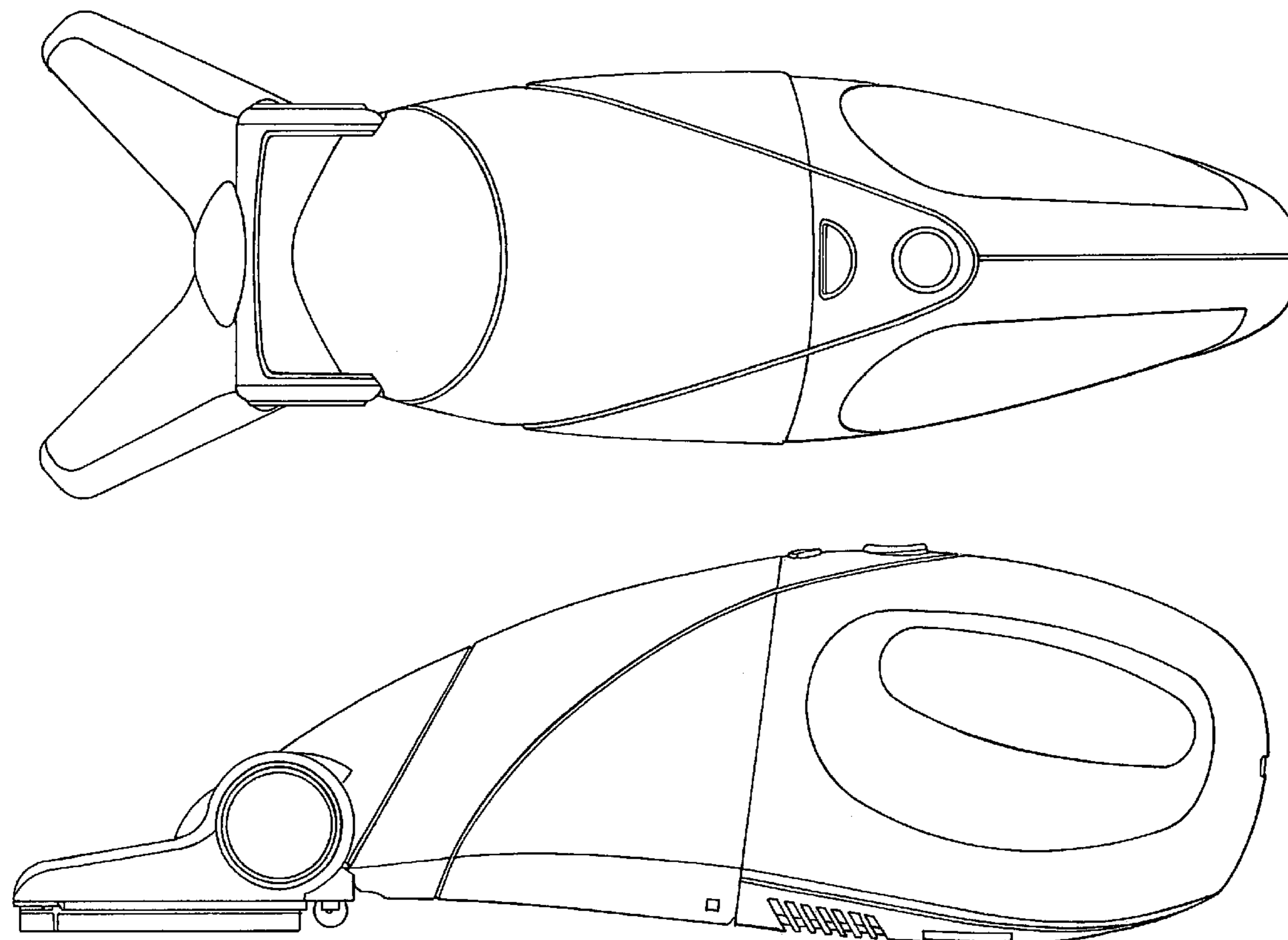
FIG. 3 is a side elevational view thereof;

FIG. 4 is a side elevational view of the opposite side of FIG. 3;

FIG. 5 is a rear elevational view thereof; and,

FIG. 6 is a front elevational view thereof.

1 Claim, 5 Drawing Sheets



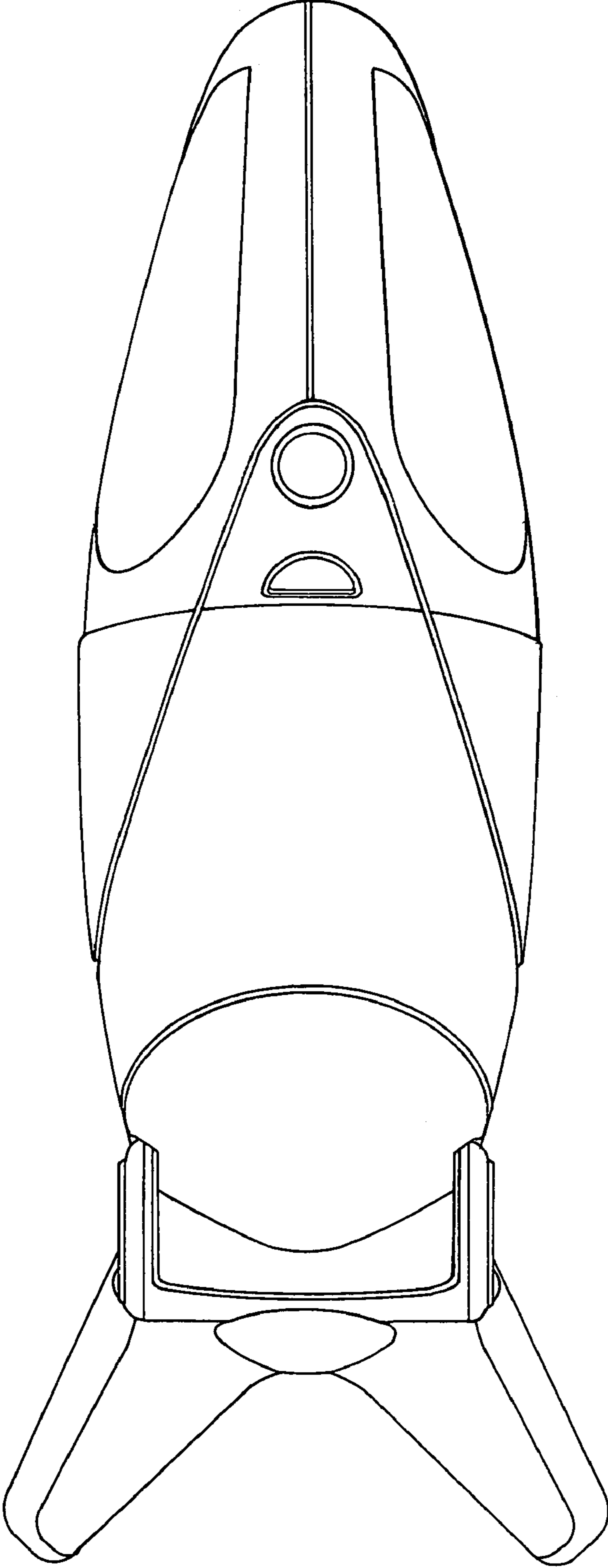


FIG. 1

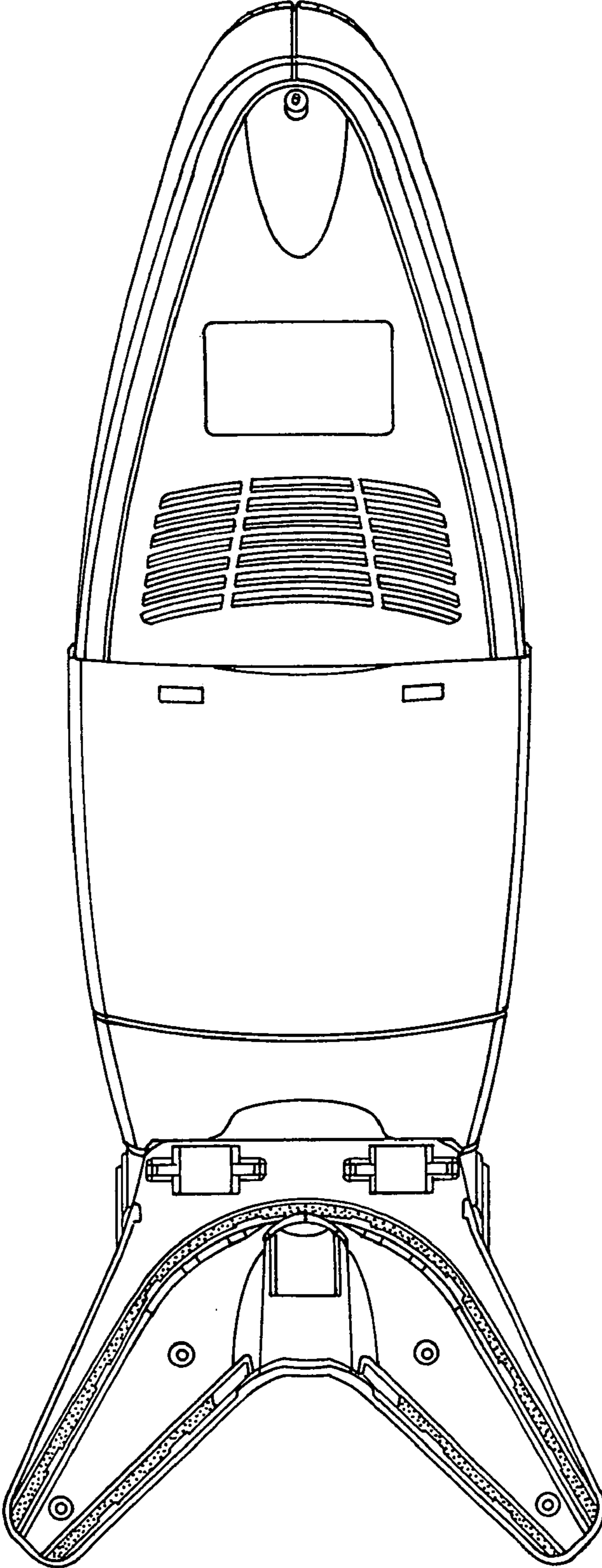


FIG. 2

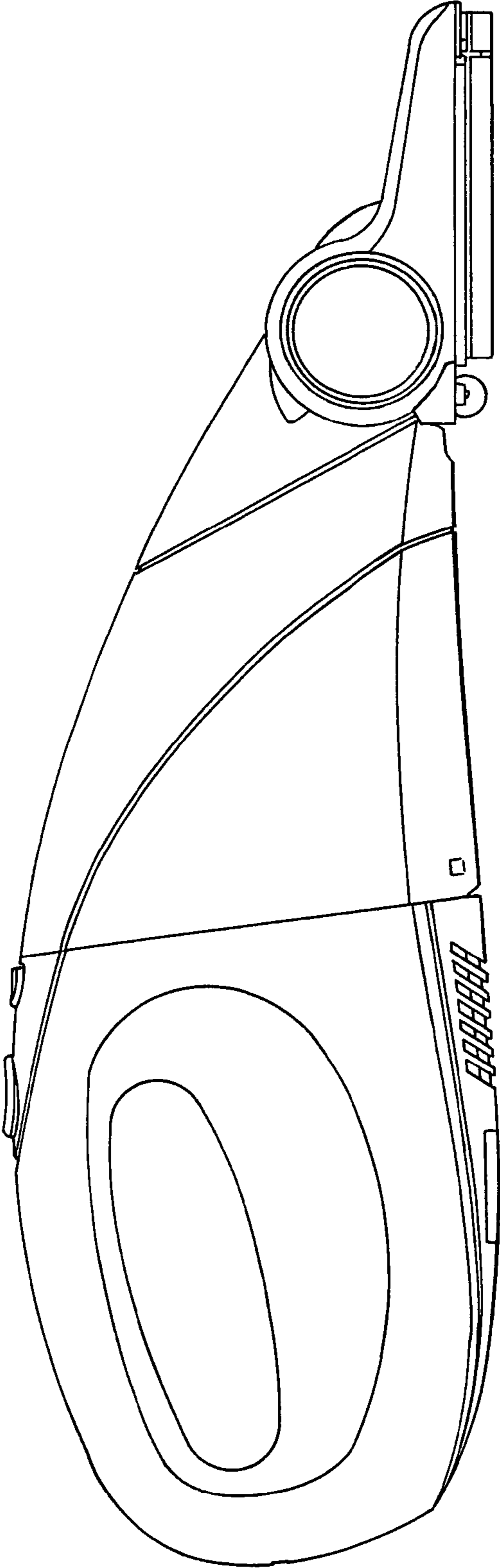


FIG. 3

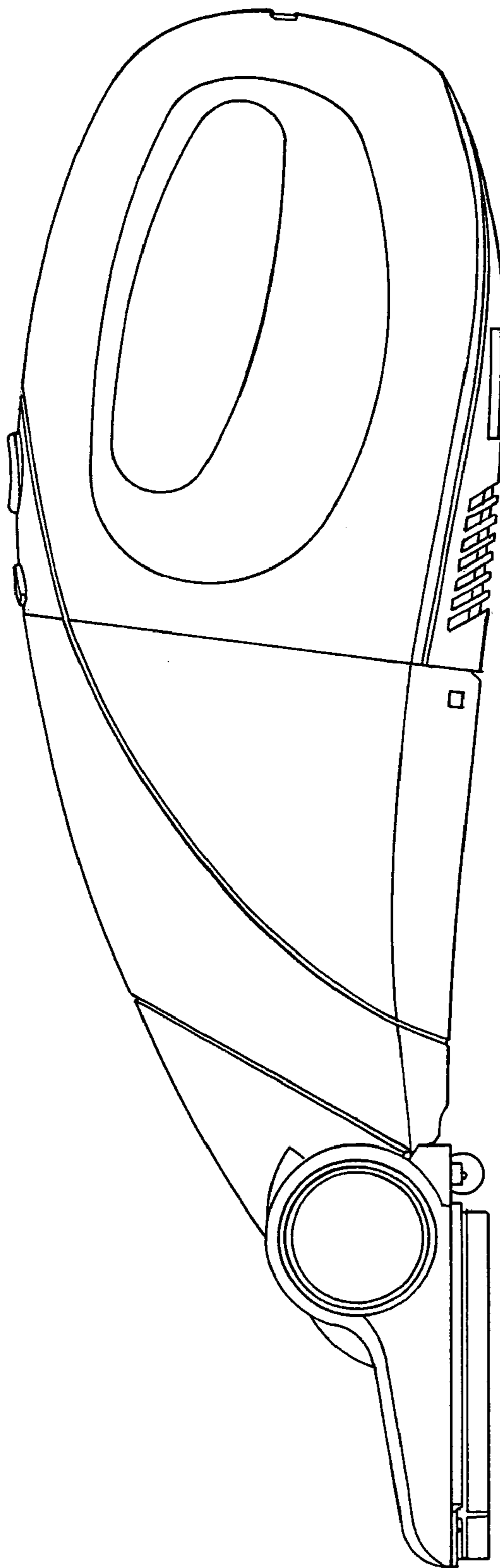


FIG. 4

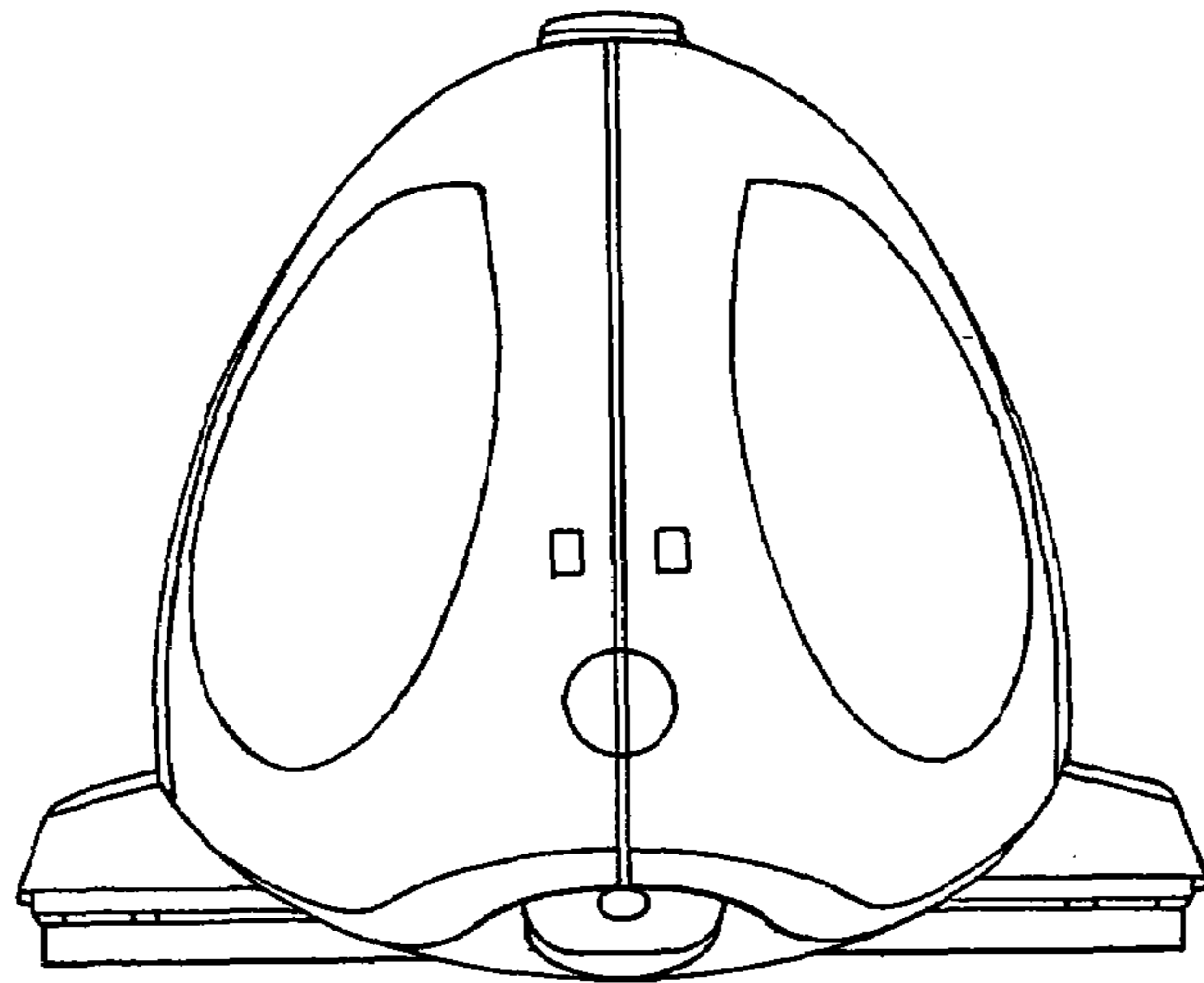


FIG. 5

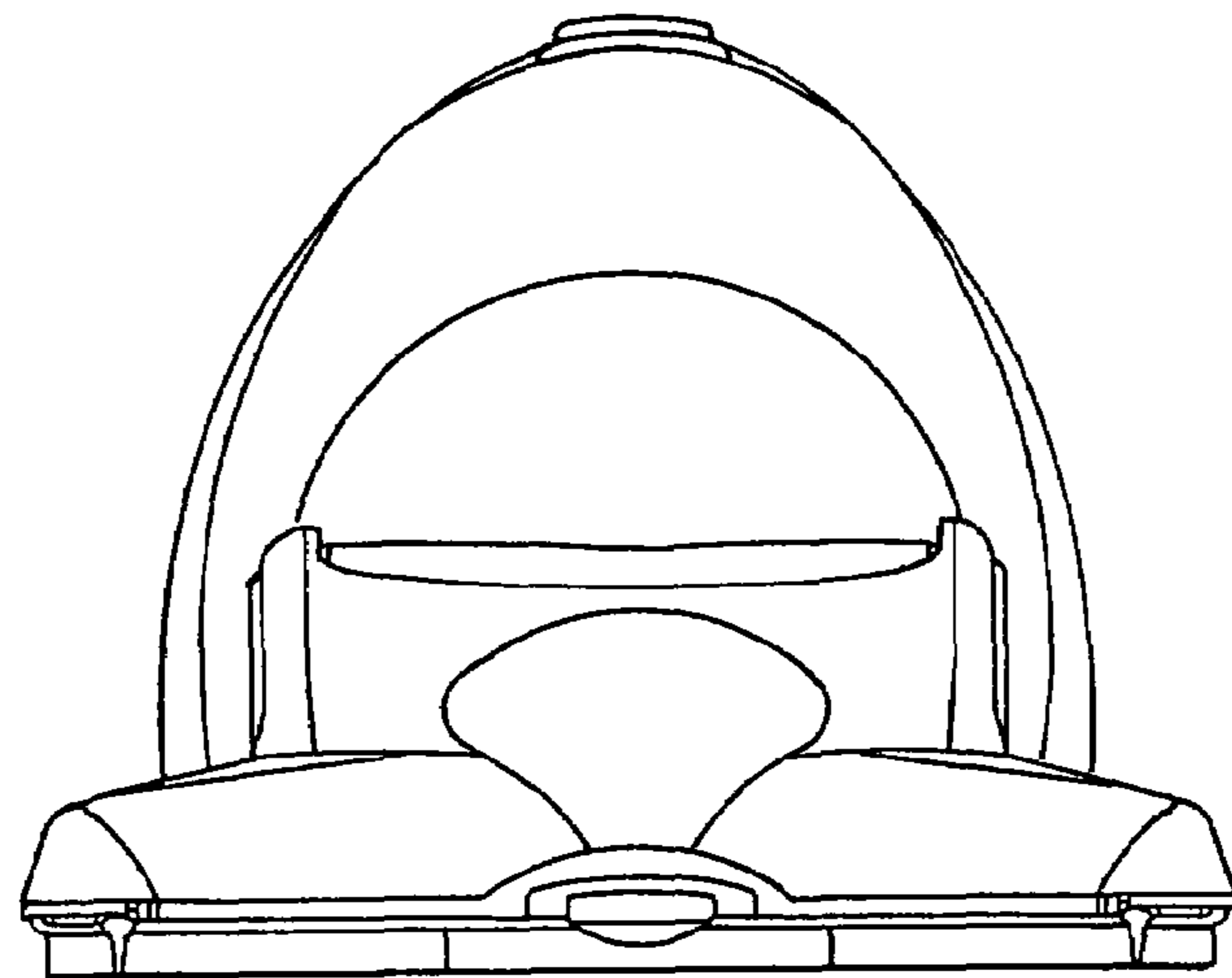


FIG. 6