



US00D588745S

(12) **United States Design Patent**
Fischer et al.

(10) **Patent No.:** **US D588,745 S**
(45) **Date of Patent:** **** Mar. 17, 2009**

(54) **PORTION OF A RAZOR CARTRIDGE**

(75) Inventors: **Stephan Fischer**, Gevelsberg (DE);
Oliver Gehrman, Wuppertal (DE)

(73) Assignee: **Eveready Battery Company, Inc.**, St.
Louis, MO (US)

(**) Term: **14 Years**

(21) Appl. No.: **29/323,866**

(22) Filed: **Sep. 2, 2008**

(51) **LOC (9) Cl.** **28-03**

(52) **U.S. Cl.** **D28/47**

(58) **Field of Classification Search** 30/32,
30/34.05, 34.1-34.2, 41-41.8, 44-45, 48-50,
30/526-533, 77-83; D28/44, 45-48
See application file for complete search history.

(56) **References Cited**

U.S. PATENT DOCUMENTS

D255,163	S	*	5/1980	Chen	D28/47
5,253,420	A		10/1993	Althaus et al.		
5,305,526	A	*	4/1994	Althaus	30/77
5,313,705	A	*	5/1994	Rivers et al.	30/50

5,365,665	A		11/1994	Coffin		
D499,843	S	*	12/2004	Nakasuka	D28/47
D501,954	S	*	2/2005	Kite et al.	D28/47
D526,089	S		8/2006	Fischer et al.		
D560,034	S		1/2008	Fischer et al.		
2006/0070240	A1		4/2006	Fischer		

* cited by examiner

Primary Examiner—Jennifer Rivard

(74) *Attorney, Agent, or Firm*—Energizer Personal Care, LLC

(57) **CLAIM**

The ornamental design for the portion of a razor cartridge, as shown and described.

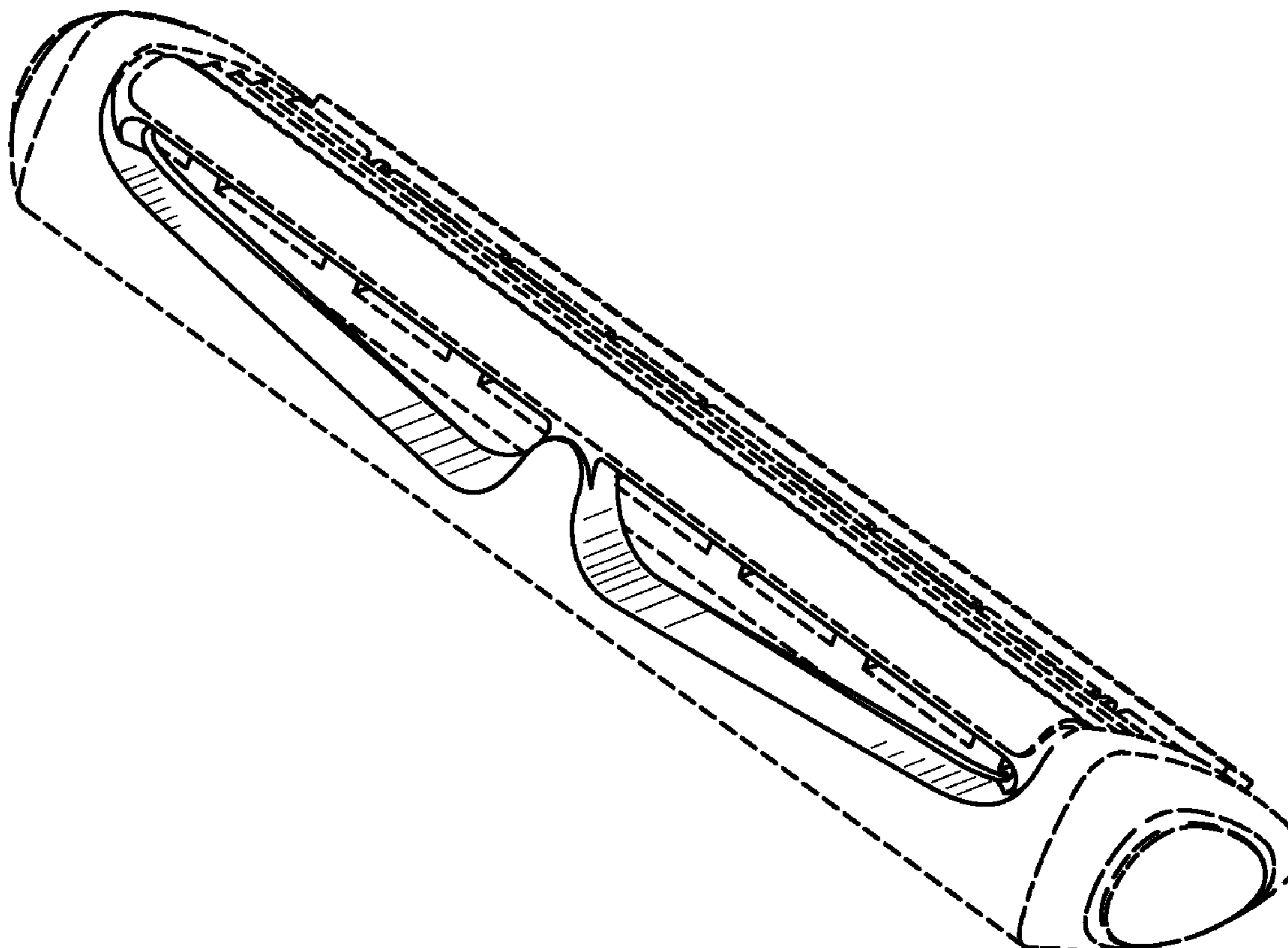
DESCRIPTION

FIG. 1 is a top rear perspective view of the portion of a razor cartridge.

FIG. 2 is a rear view of the portion of a razor cartridge; and, FIG. 3 is a top view of the portion of a razor cartridge.

The broken lines shown in the drawings illustrate portions of the article and form no part of the claimed design.

1 Claim, 1 Drawing Sheet



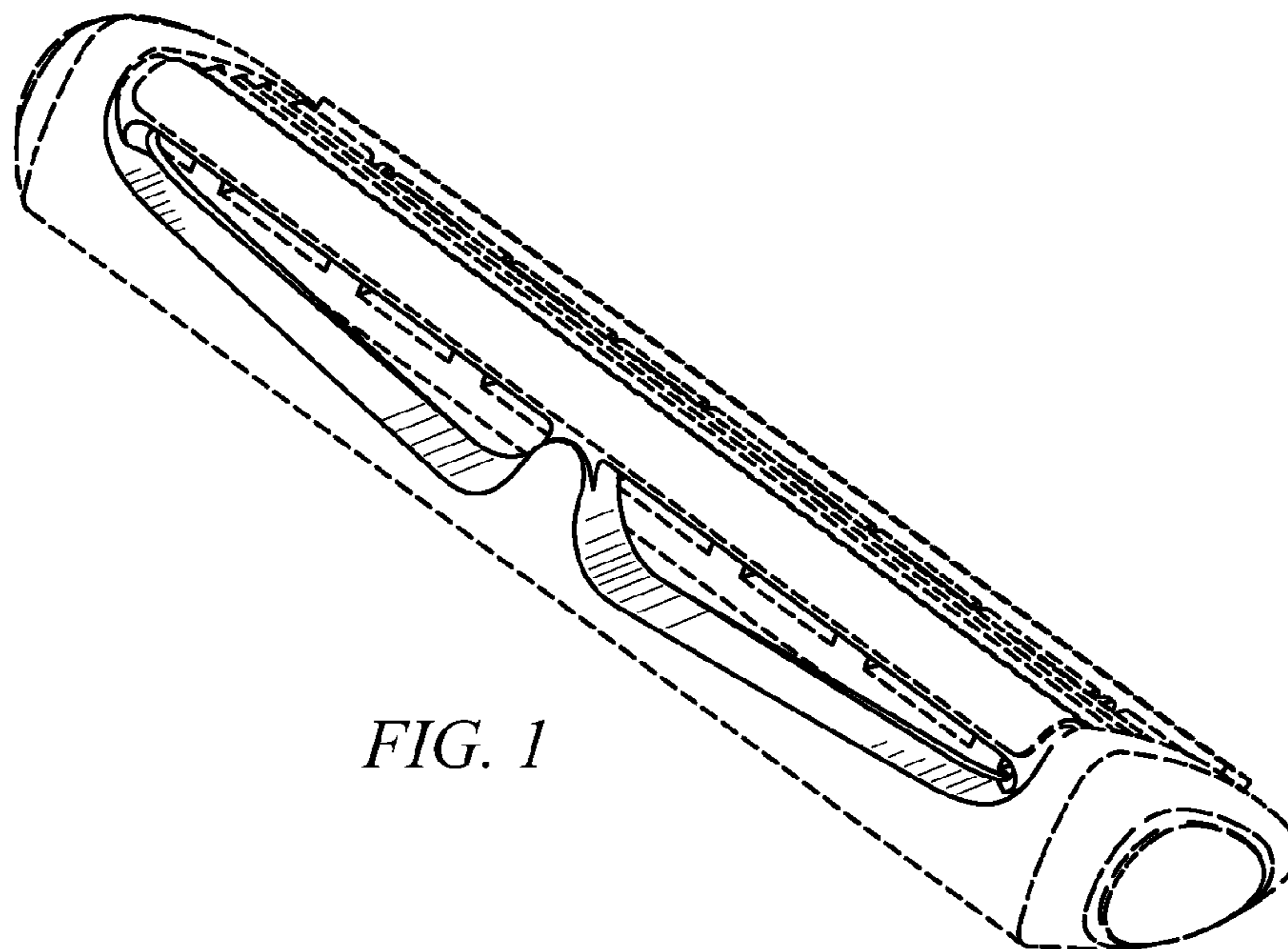


FIG. 1

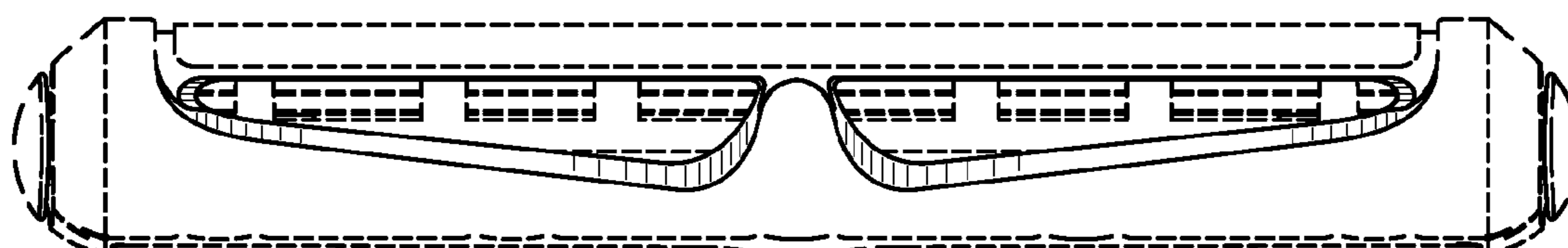


FIG. 2

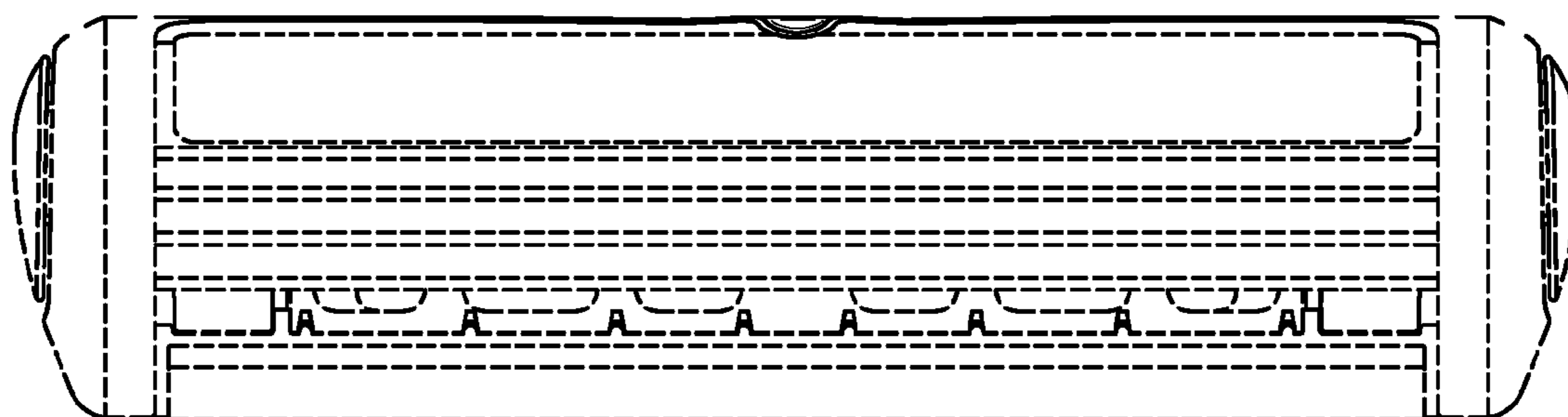


FIG. 3