



US00D588741S

(12) **United States Design Patent**
Murdaugh, III et al.

(10) **Patent No.:** **US D588,741 S**
(45) **Date of Patent:** **** Mar. 17, 2009**

(54) **CIGAR TIP**

(75) Inventors: **Cleatus Murdaugh, III**, Chicago, IL
(US); **Jeffrey Allan Swepston**,
Powhatan, VA (US)

(73) Assignee: **Philip Morris USA Inc.**, Richmond, VA
(US)

(**) Term: **14 Years**

(21) Appl. No.: **29/274,951**

(22) Filed: **Jun. 12, 2007**

(51) **LOC (9) Cl.** **27-02**

(52) **U.S. Cl.** **D27/170; D27/169**

(58) **Field of Classification Search** 131/187,
131/175, 194, 191, 198.1; D27/170-171,
D27/172, 183, 164, 169

See application file for complete search history.

(56) **References Cited**

U.S. PATENT DOCUMENTS

678,444 A * 7/1901 Thompson 131/187
D116,494 S * 9/1939 Galter D27/164
D123,754 S * 12/1940 Galter D27/164
D143,257 S * 12/1945 Abrams D27/164
3,137,303 A * 6/1964 Shaw 131/187

4,254,782 A * 3/1981 Ligeti 131/187
D401,011 S * 11/1998 Sloan, II D27/183
2005/0166931 A1 * 8/2005 Hcu 131/187

* cited by examiner

Primary Examiner—Jennifer Rivard

(74) *Attorney, Agent, or Firm*—Buchanan Ingersoll &
Rooney PC

(57) **CLAIM**

The ornamental design for a cigar tip, as shown and
described.

DESCRIPTION

FIG. 1 is a rear perspective view of a cigar tip showing our new
design.

FIG. 2 is a front perspective view thereof.

FIG. 3 is a top plan view thereof.

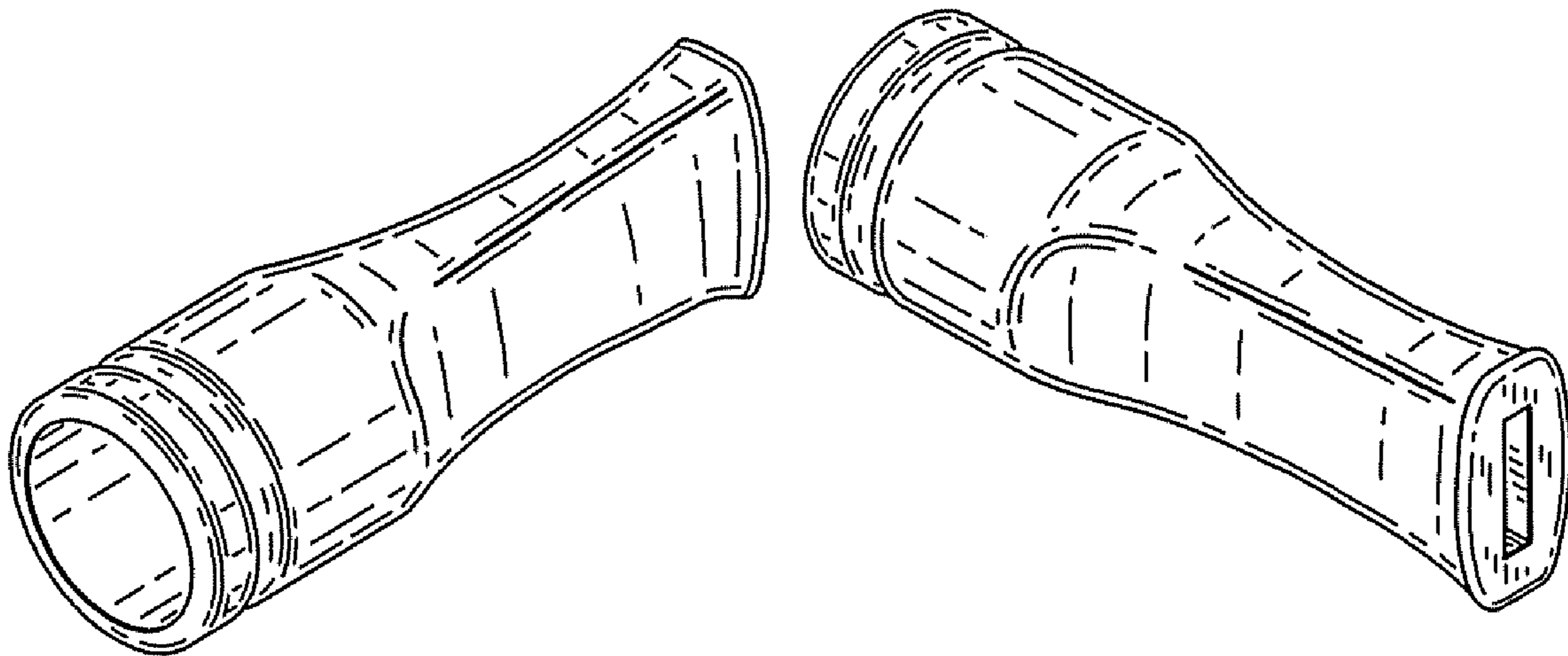
FIG. 4 is a side elevational view thereof, the other side being
a mirror image thereof.

FIG. 5 is a bottom plan view thereof.

FIG. 6 is a front elevational view thereof; and,

FIG. 7 is a rear elevational view thereof.

1 Claim, 3 Drawing Sheets



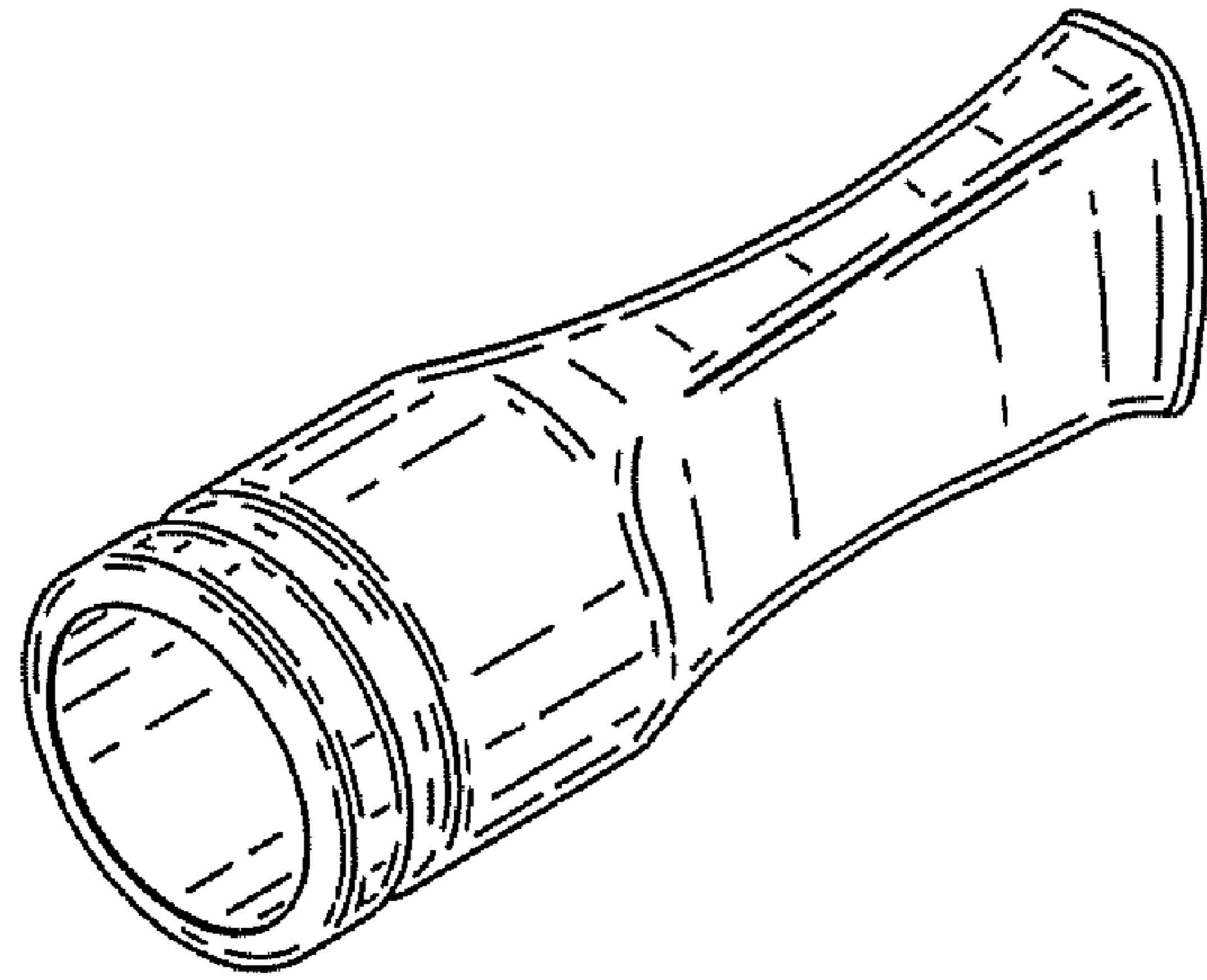


FIG. 1

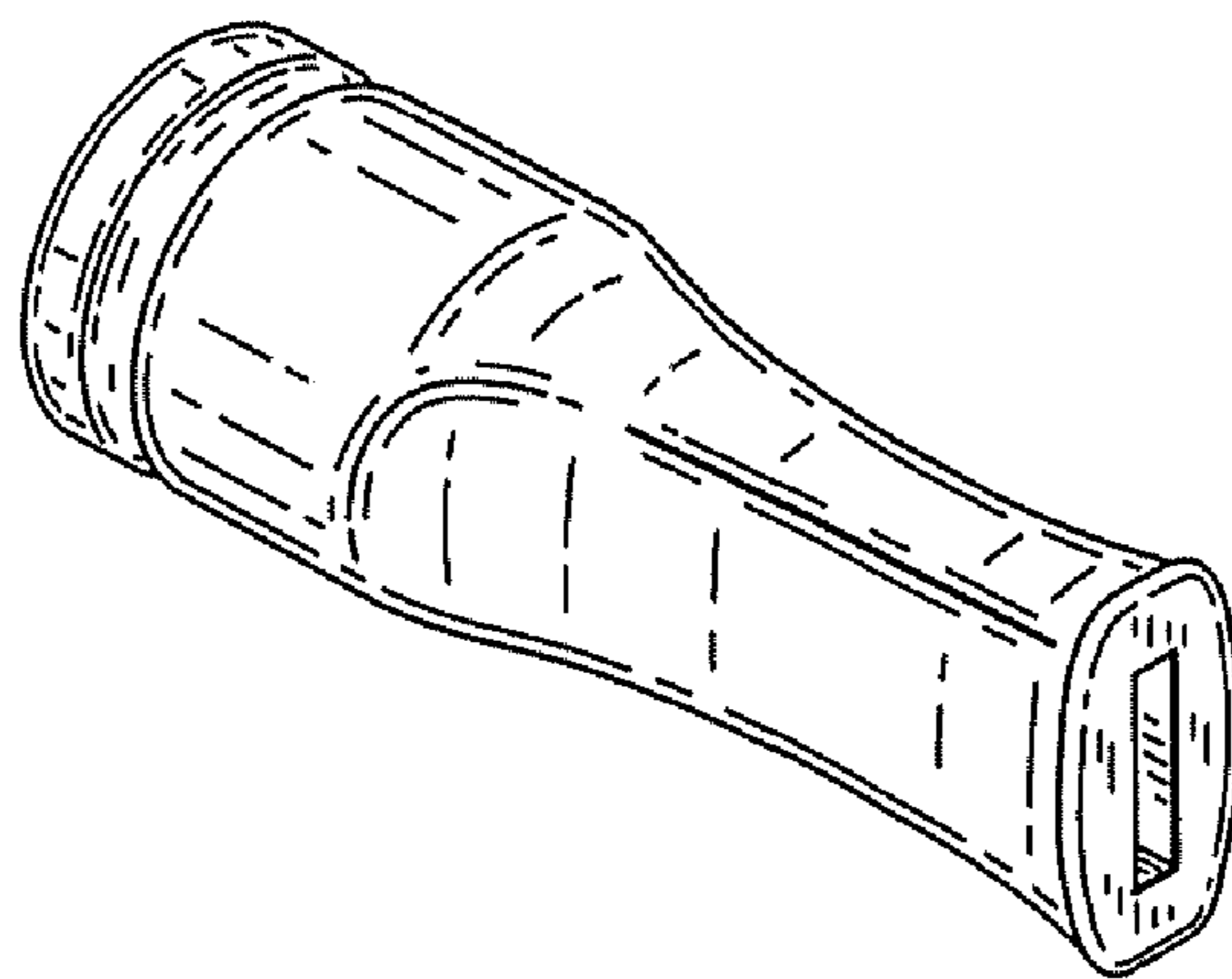


FIG. 2

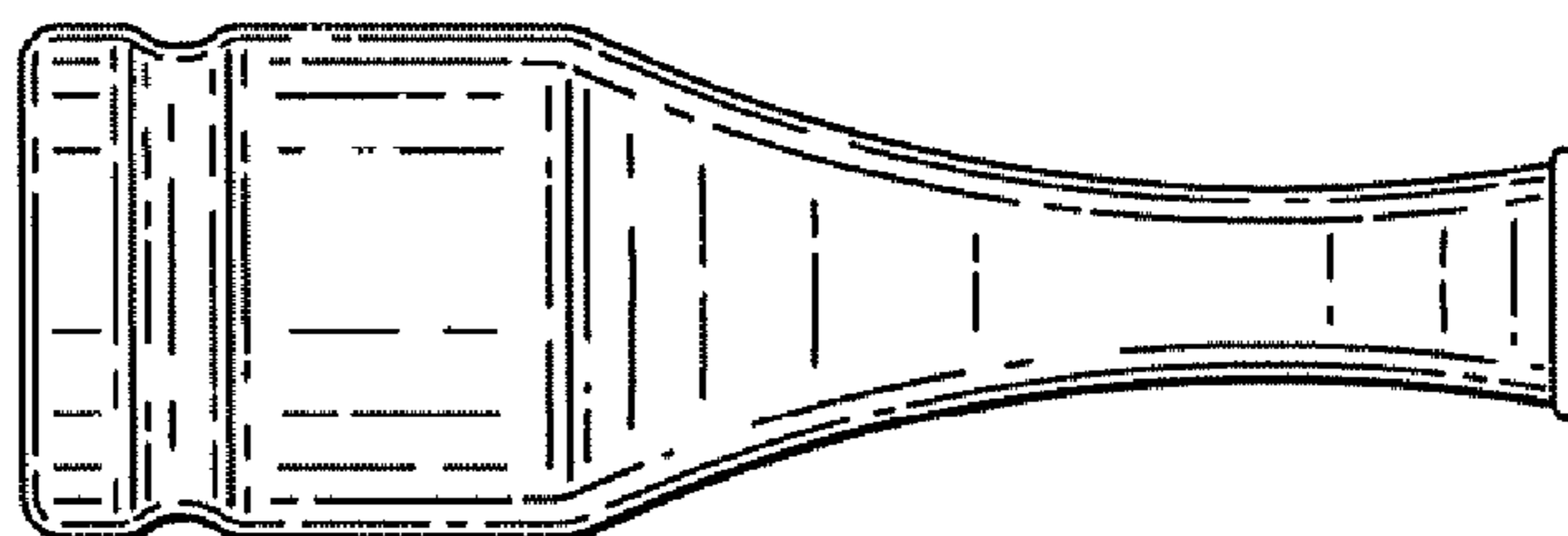


FIG. 3

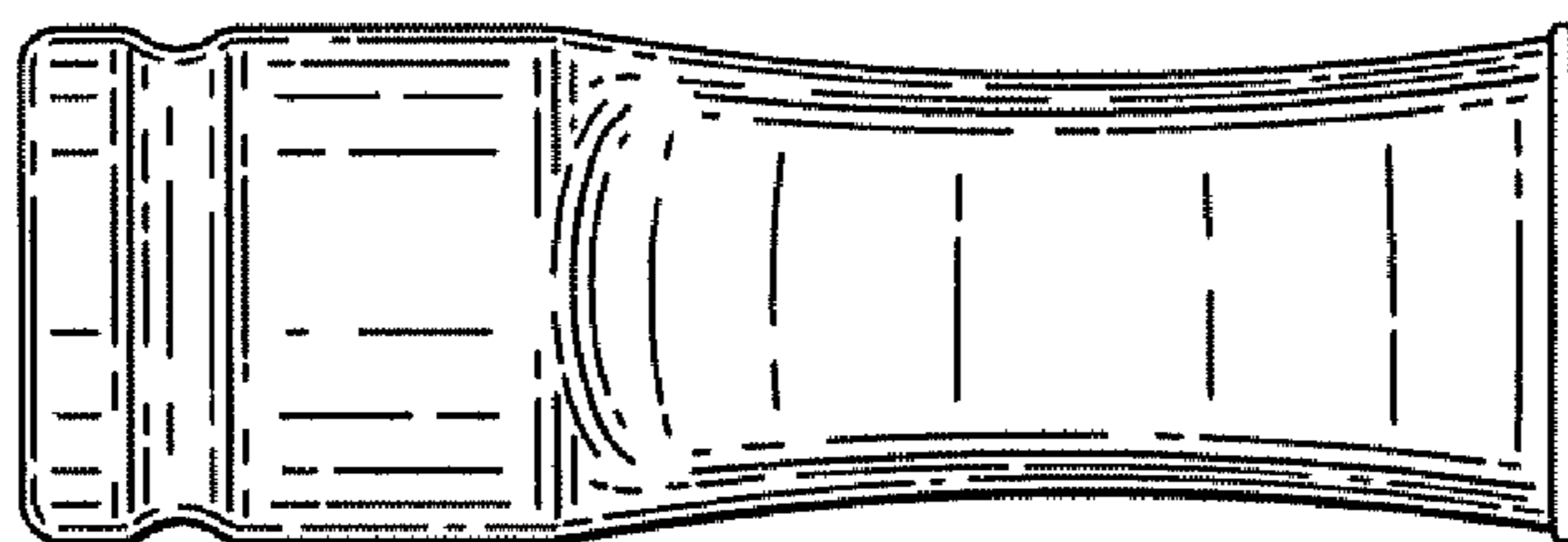


FIG. 4

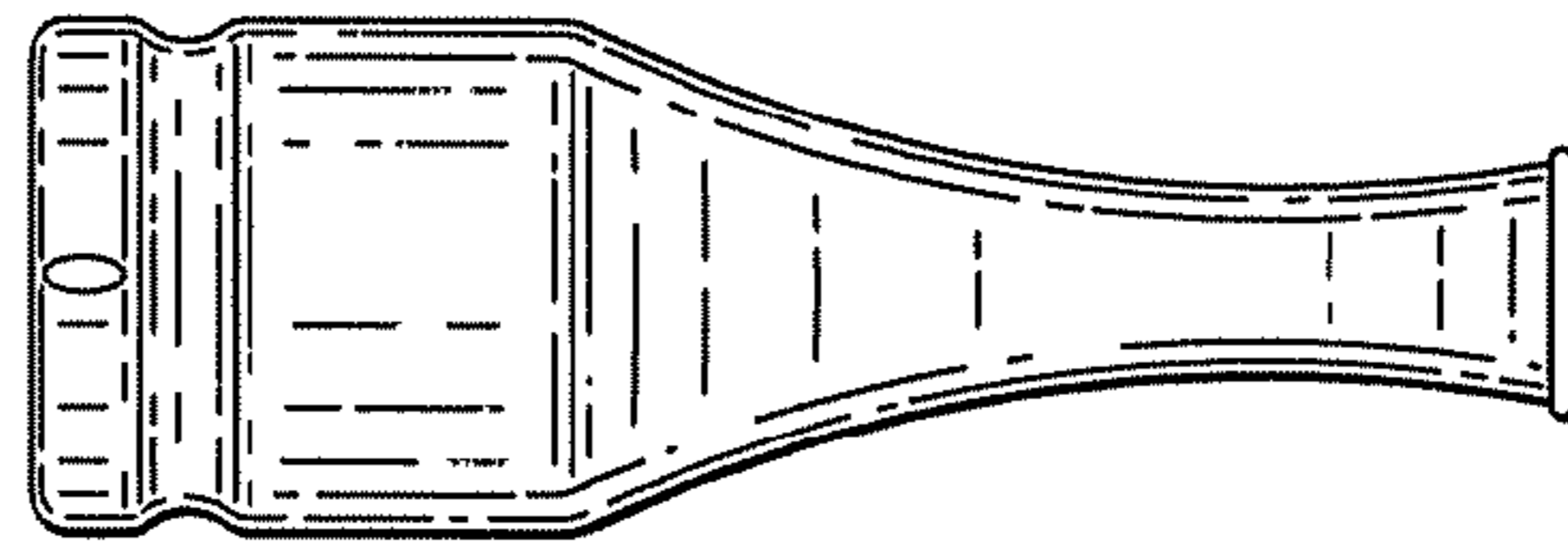


FIG. 5

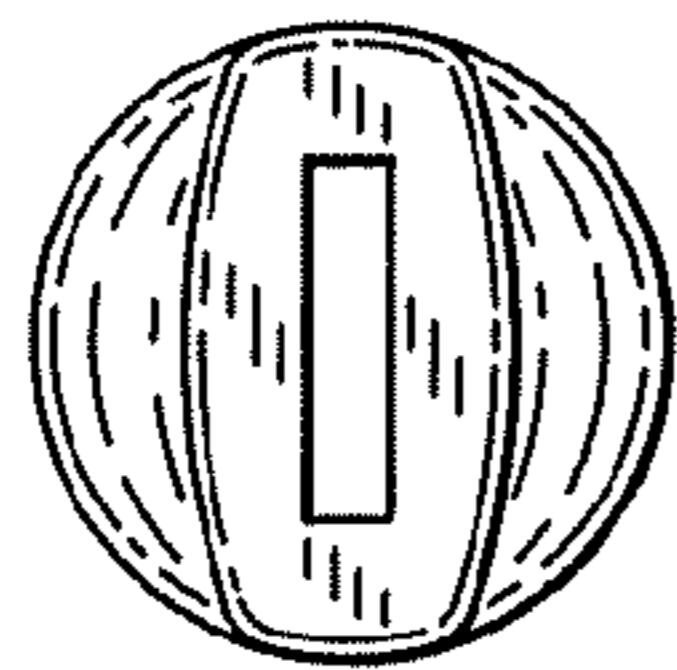


FIG. 6

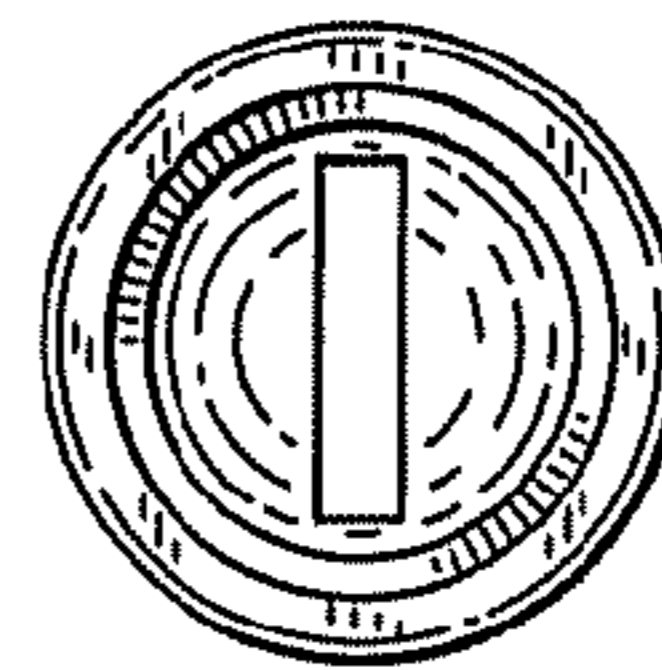


FIG. 7