



US00D588740S

(12) **United States Design Patent**  
**Maruyama**

(10) **Patent No.:** **US D588,740 S**  
(45) **Date of Patent:** **\*\* Mar. 17, 2009**

(54) **LIGHTER**

(75) Inventor: **Tatsuhiko Maruyama**, Tokyo (JP)

(73) Assignee: **Essential Gear, Inc.**, Greenfield, MA (US)

(\*\*) Term: **14 Years**

(21) Appl. No.: **29/317,319**

(22) Filed: **Apr. 28, 2008**

(51) **LOC (9) Cl.** ..... **27-05**

(52) **U.S. Cl.** ..... **D27/157**

(58) **Field of Classification Search** ..... D27/141-161;  
431/129, 143, 153, 253-256, 273-277  
See application file for complete search history.

(56) **References Cited**

U.S. PATENT DOCUMENTS

D307,475 S *	4/1990	Bomkamp	.....	D24/211
D429,027 S *	8/2000	Song	.....	D27/142
D429,540 S *	8/2000	Maruyama	.....	D27/141
D435,690 S *	12/2000	Reynolds	.....	D27/141
D528,247 S *	9/2006	Smith	.....	D27/157
D538,470 S *	3/2007	Reynolds	.....	D27/161

\* cited by examiner

*Primary Examiner*—Jennifer Rivard

(74) *Attorney, Agent, or Firm*—Deborah A. Basile

(57) **CLAIM**

The ornamental design for a lighter, as shown and described.

**DESCRIPTION**

FIG. 1 is a side elevational view of a lighter according to the present invention;

FIG. 2 is a side elevational view of a lighter, according to the present invention;

FIG. 3 is a front elevational view of a lighter, according to the present invention;

FIG. 4 is a back end elevational view of a lighter, according to the present invention;

FIG. 5 is a top plan view of a lighter, according to the present invention;

FIG. 6 is a bottom plan view of a lighter, according to the present invention;

FIG. 7 is a perspective side view of a lighter, according to the present invention;

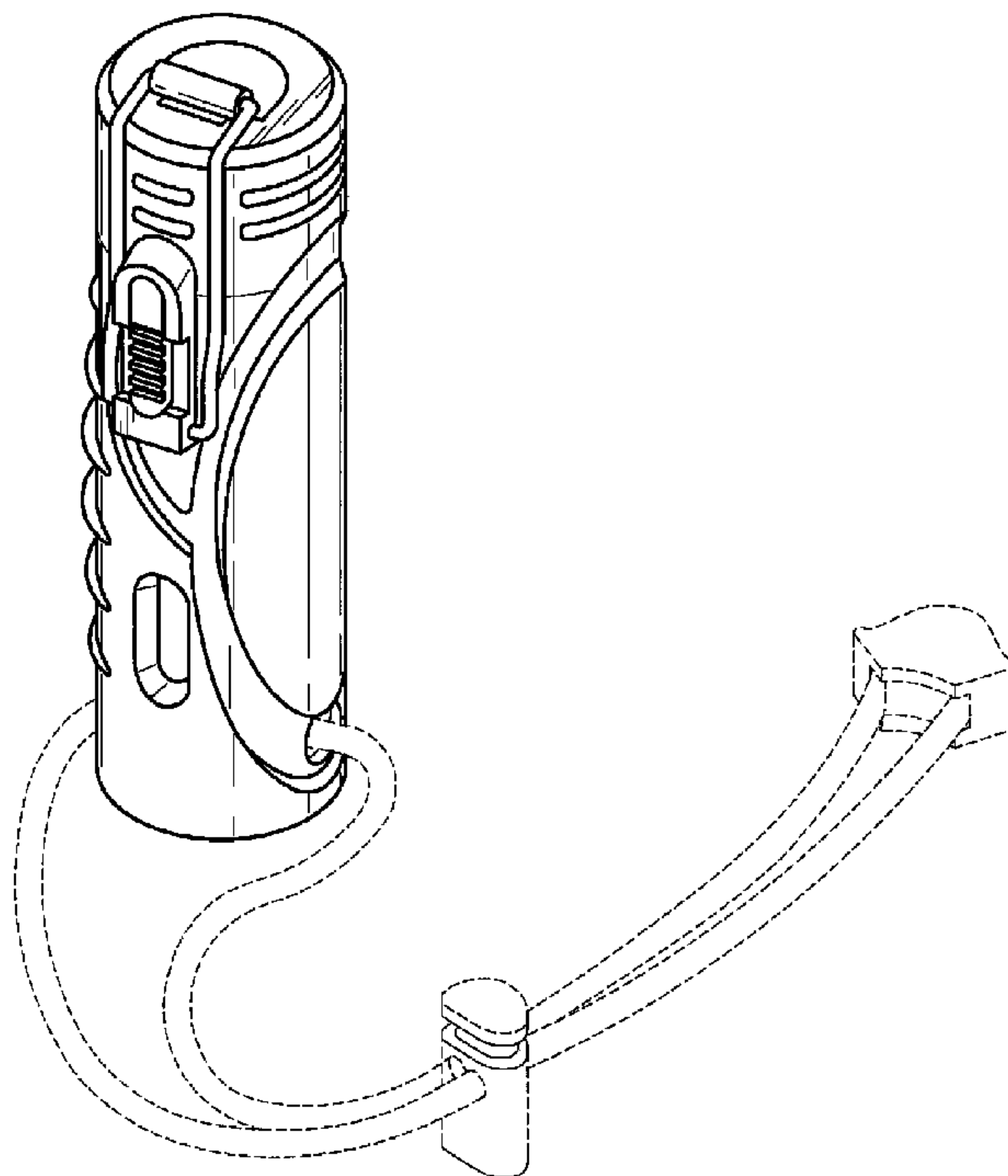
FIG. 8 is a perspective view of a lighter, according to the present invention;

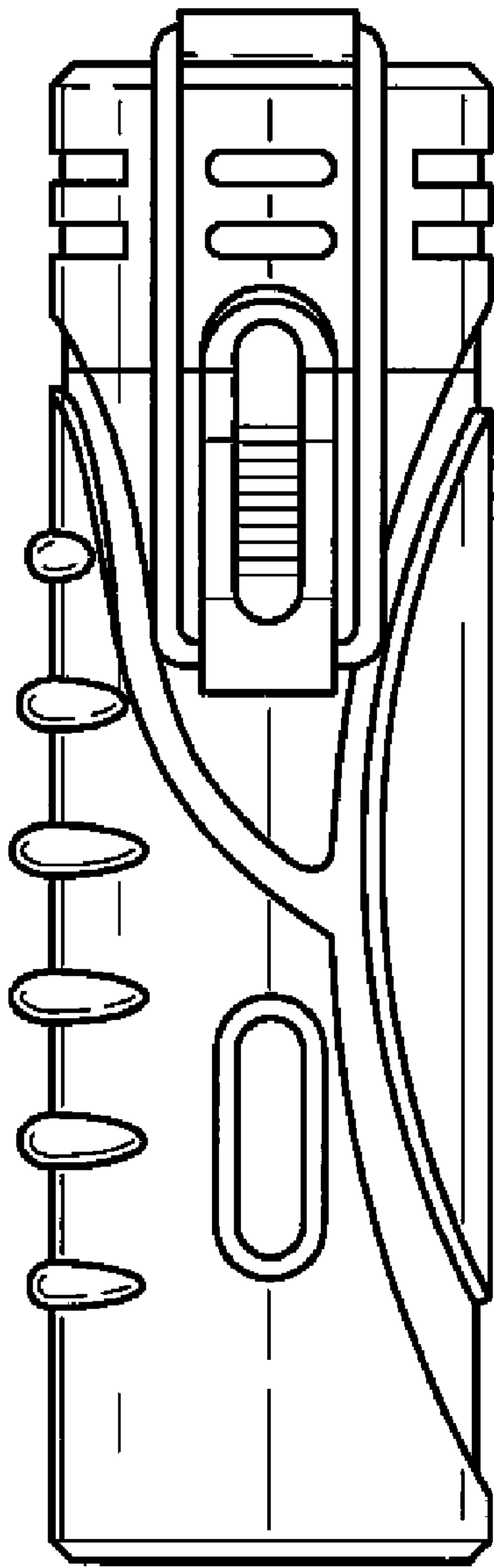
FIG. 9 is a perspective view of a lighter, according to the present invention, showing a condition in which the cap is opened; and,

FIG. 10 is a perspective view of a lighter, according to the present invention, showing a condition in which a string or lanyard is attached.

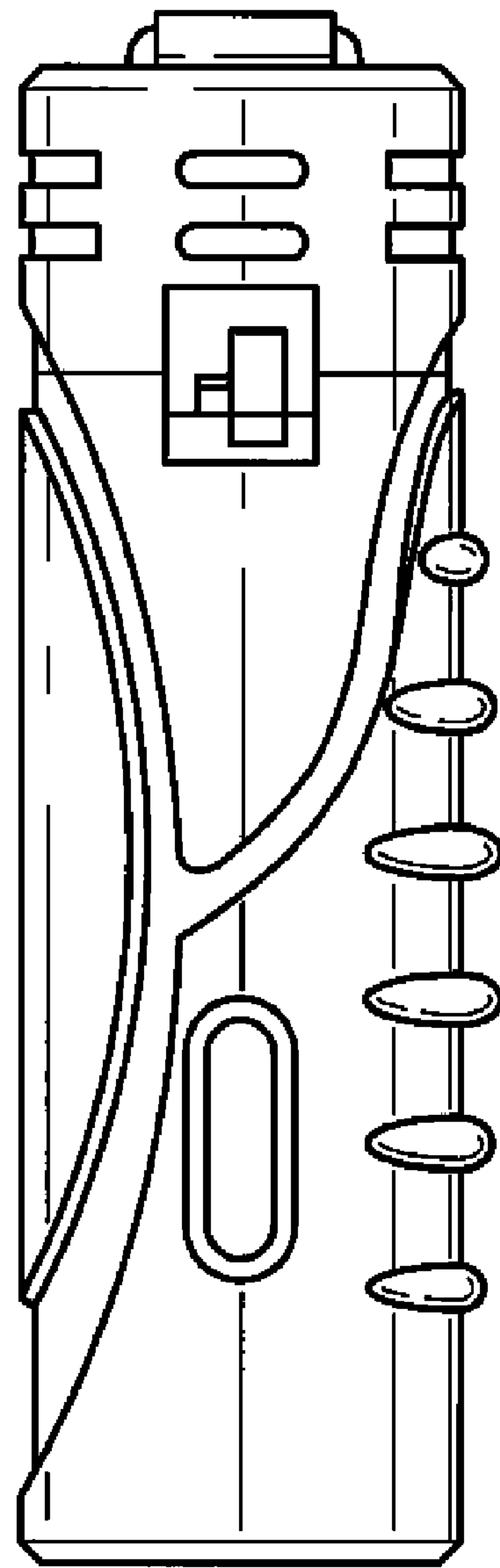
The broken line showing of the lanyard is included for the purpose of illustrating environment and forms no part of the claimed design.

**1 Claim, 5 Drawing Sheets**

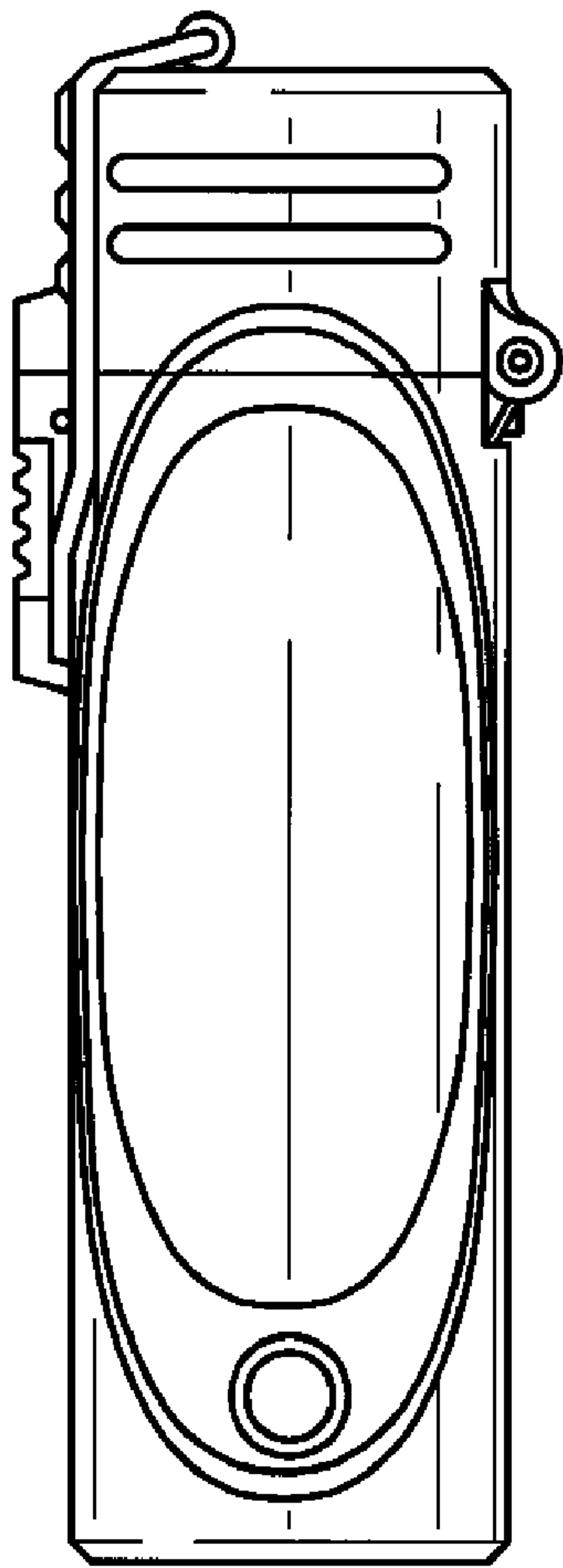




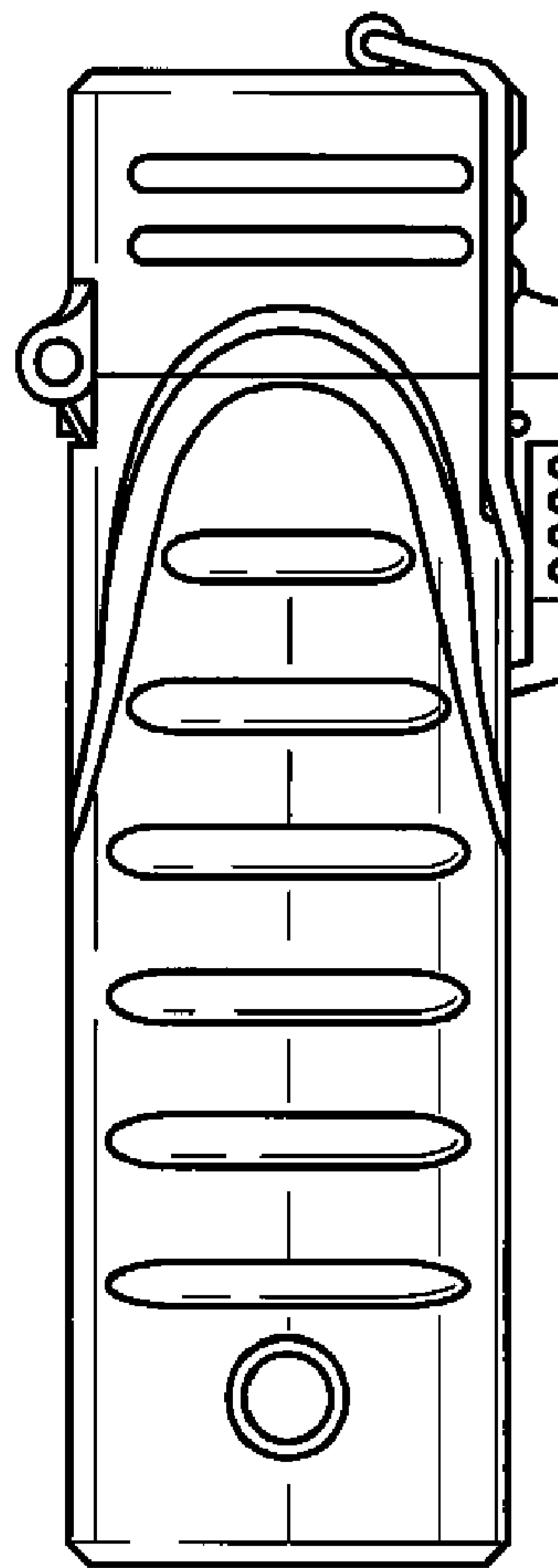
**FIG. 1**



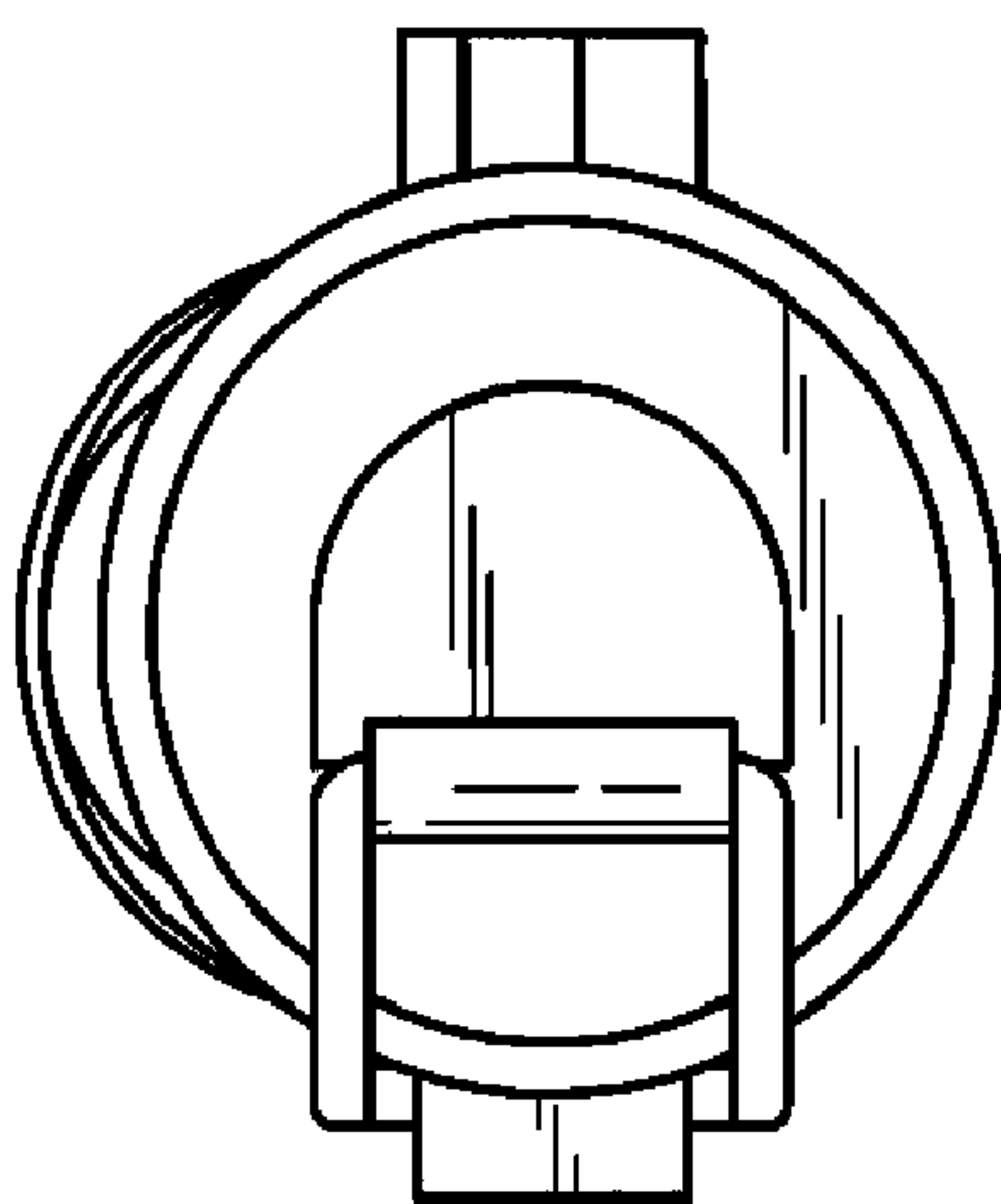
**FIG. 2**



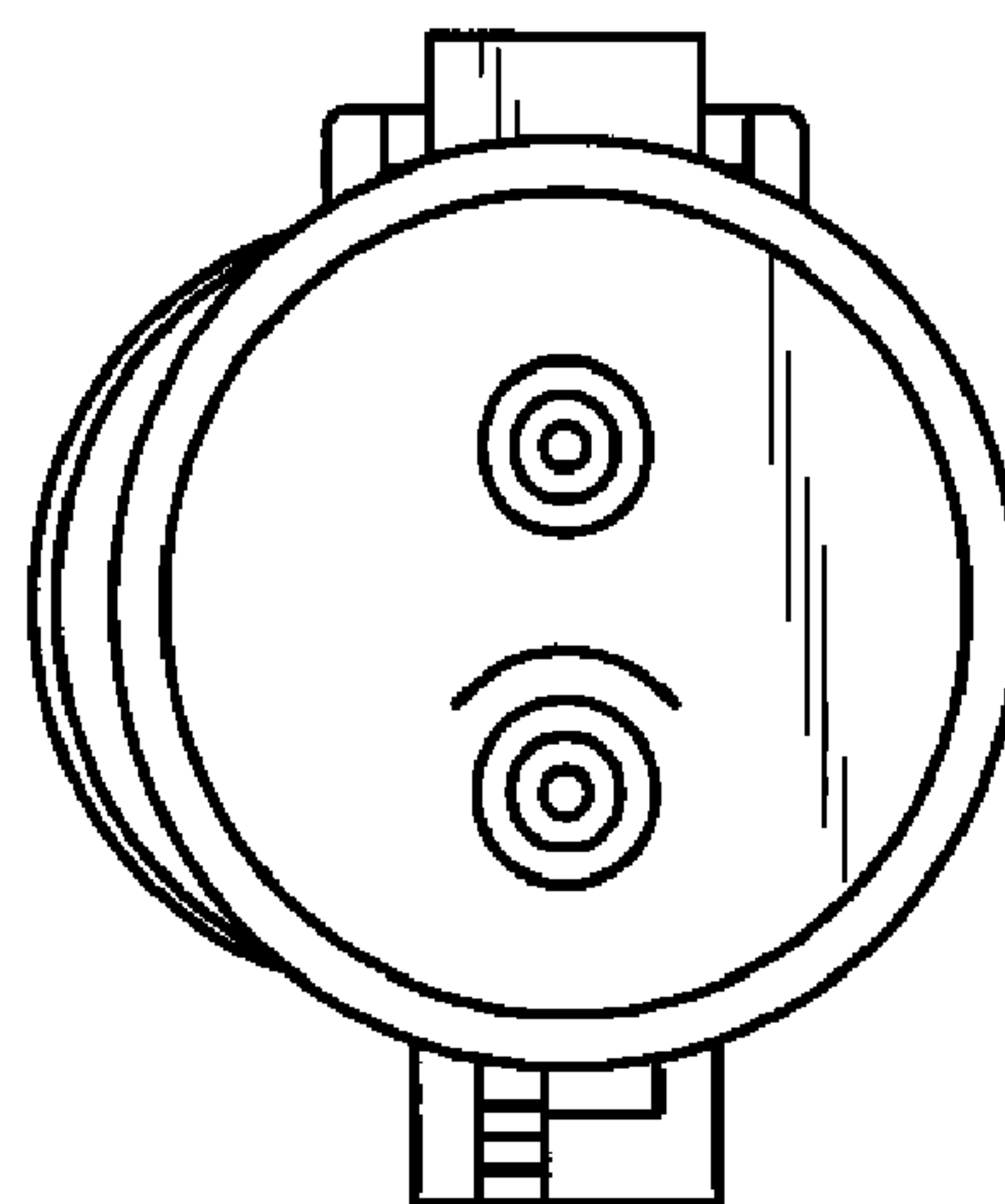
**FIG. 3**



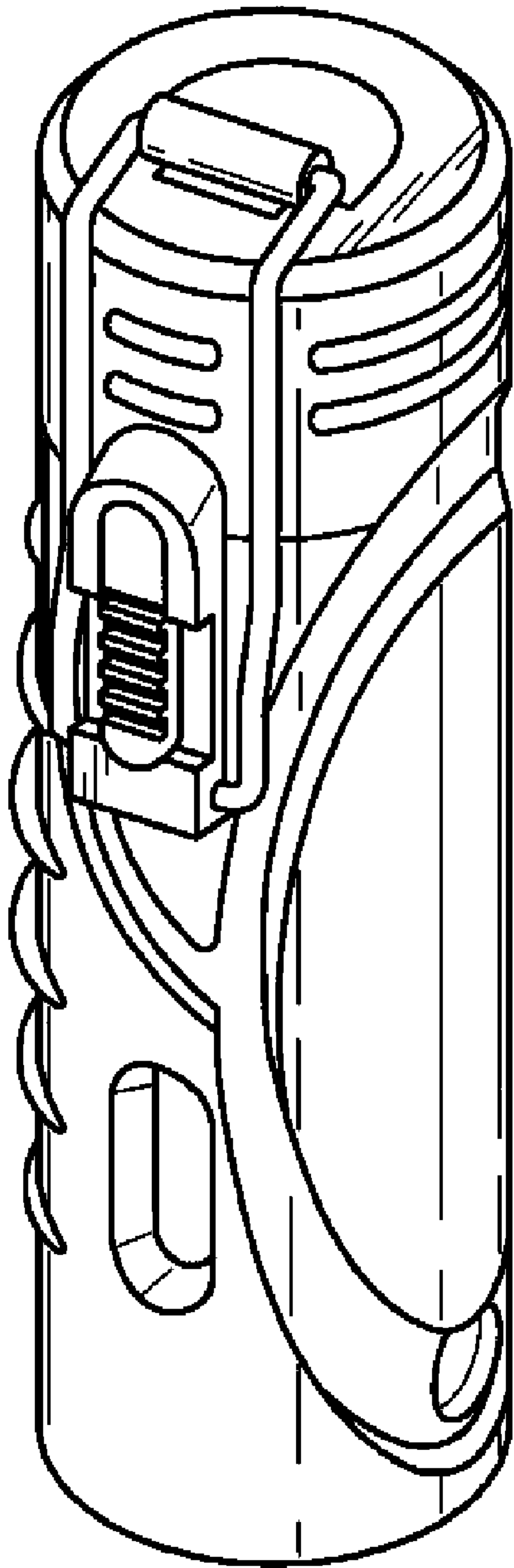
**FIG. 4**



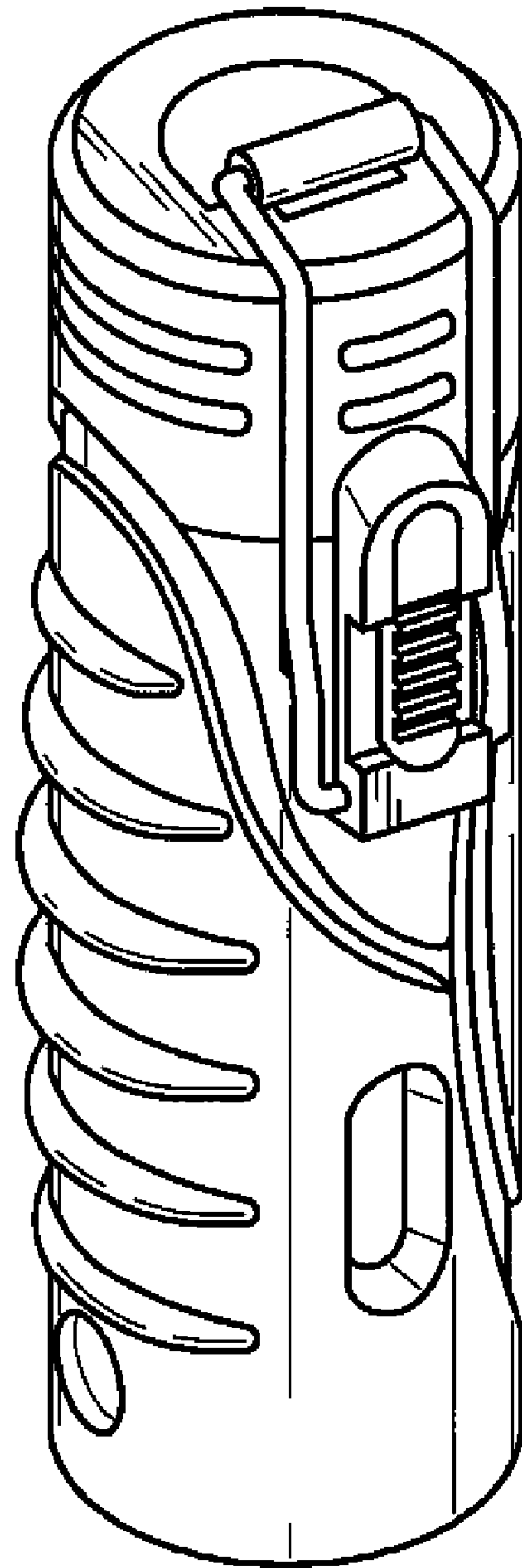
**FIG. 5**



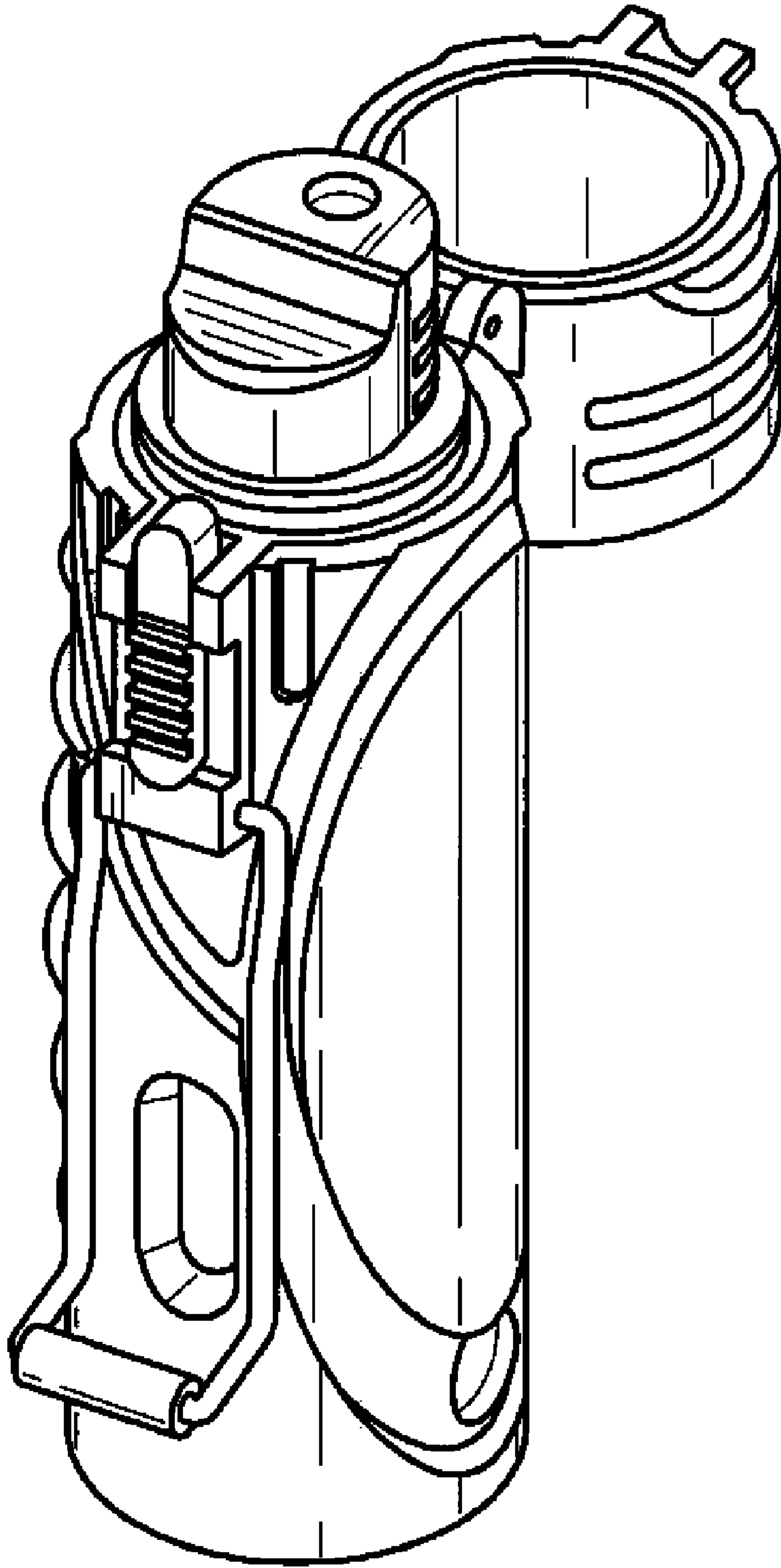
**FIG. 6**



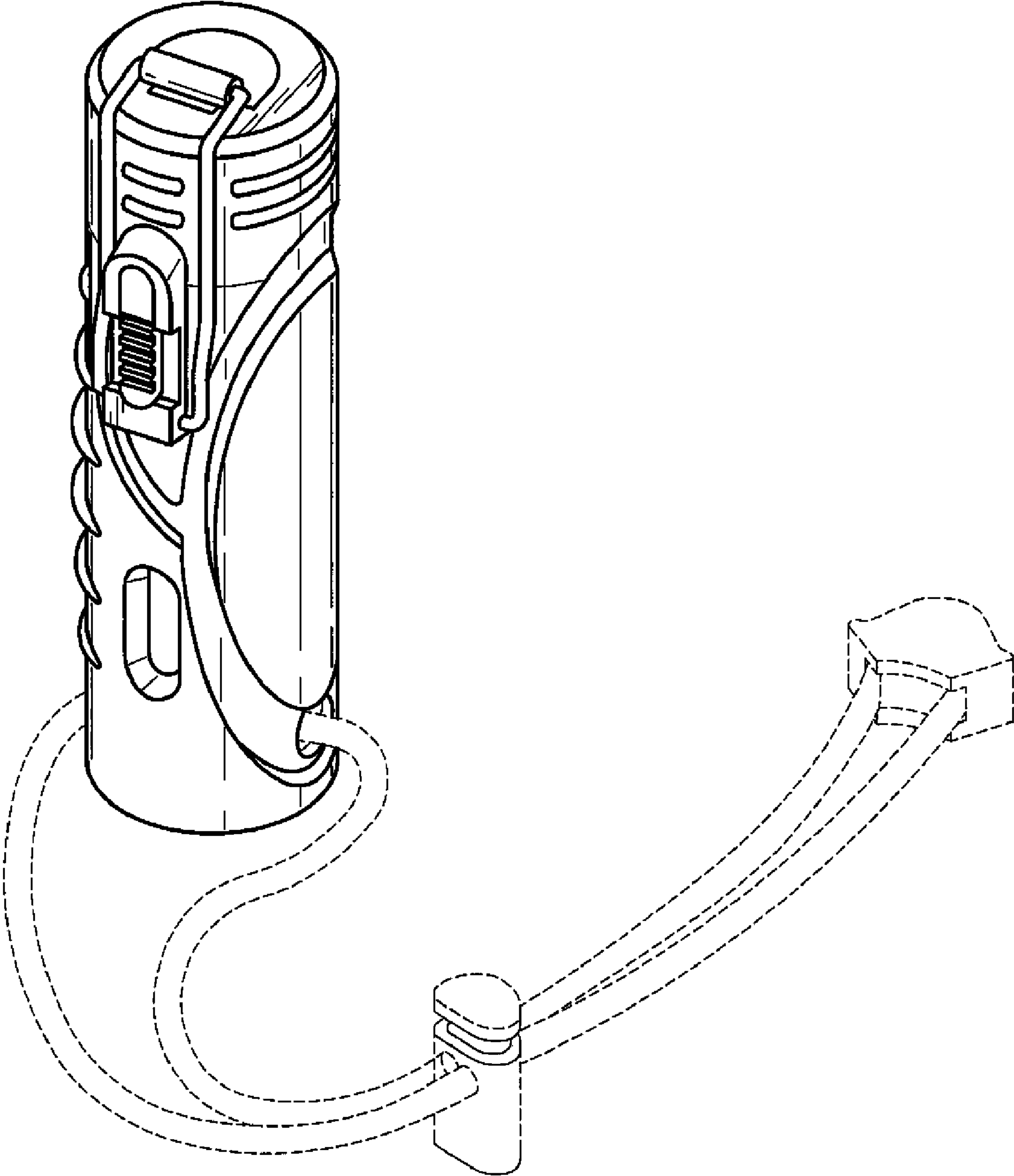
**FIG. 7**



**FIG. 8**



**FIG. 9**



**FIG. 10**