



US00D588736S

(12) **United States Design Patent**  
**Smith**

(10) **Patent No.:** **US D588,736 S**  
(45) **Date of Patent:** **\*\* Mar. 17, 2009**

(54) **LAMP**

(76) Inventor: **Anders Smith**, Wildersgade 42,  
DK-1408, Copenhagen (DK)

(\*\*) Term: **14 Years**

(21) Appl. No.: **29/234,619**

(22) Filed: **Jul. 21, 2005**

(51) **LOC (9) Cl.** ..... **26-05**

(52) **U.S. Cl.** ..... **D26/63**

(58) **Field of Classification Search** ..... D26/24,  
D26/60-67, 85; 362/285, 287, 418, 419,  
362/427, 147, 269, 271, 275, 291, 310, 311,  
362/362, 296, 159, 187, 266

See application file for complete search history.

(56) **References Cited**

**U.S. PATENT DOCUMENTS**

D290,522 S *	6/1987	de Vos et al. ....	D26/63
D291,360 S *	8/1987	De Vos et al. ....	D26/63
D301,633 S *	6/1989	Shwisha ....	D26/63
5,469,345 A *	11/1995	Pettersen et al. ....	362/188
D391,382 S *	2/1998	Rahn ....	D26/63
D412,039 S *	7/1999	Landerholm et al. ....	D26/63
6,213,626 B1 *	4/2001	Qian ....	362/413

D441,889 S \* 5/2001 Austin ..... D26/63  
7,152,997 B1 \* 12/2006 Kovacic et al. .... 362/251  
2004/0228133 A1 \* 11/2004 Tsao ..... 362/418

\* cited by examiner

*Primary Examiner*—Cathron C Brooks

*Assistant Examiner*—Barbara Fox

(74) *Attorney, Agent, or Firm*—Finnegan, Henderson,  
Farabow, Garrett and Dunner, LLP

(57) **CLAIM**

The ornamental design for a lamp, as shown and described.

**DESCRIPTION**

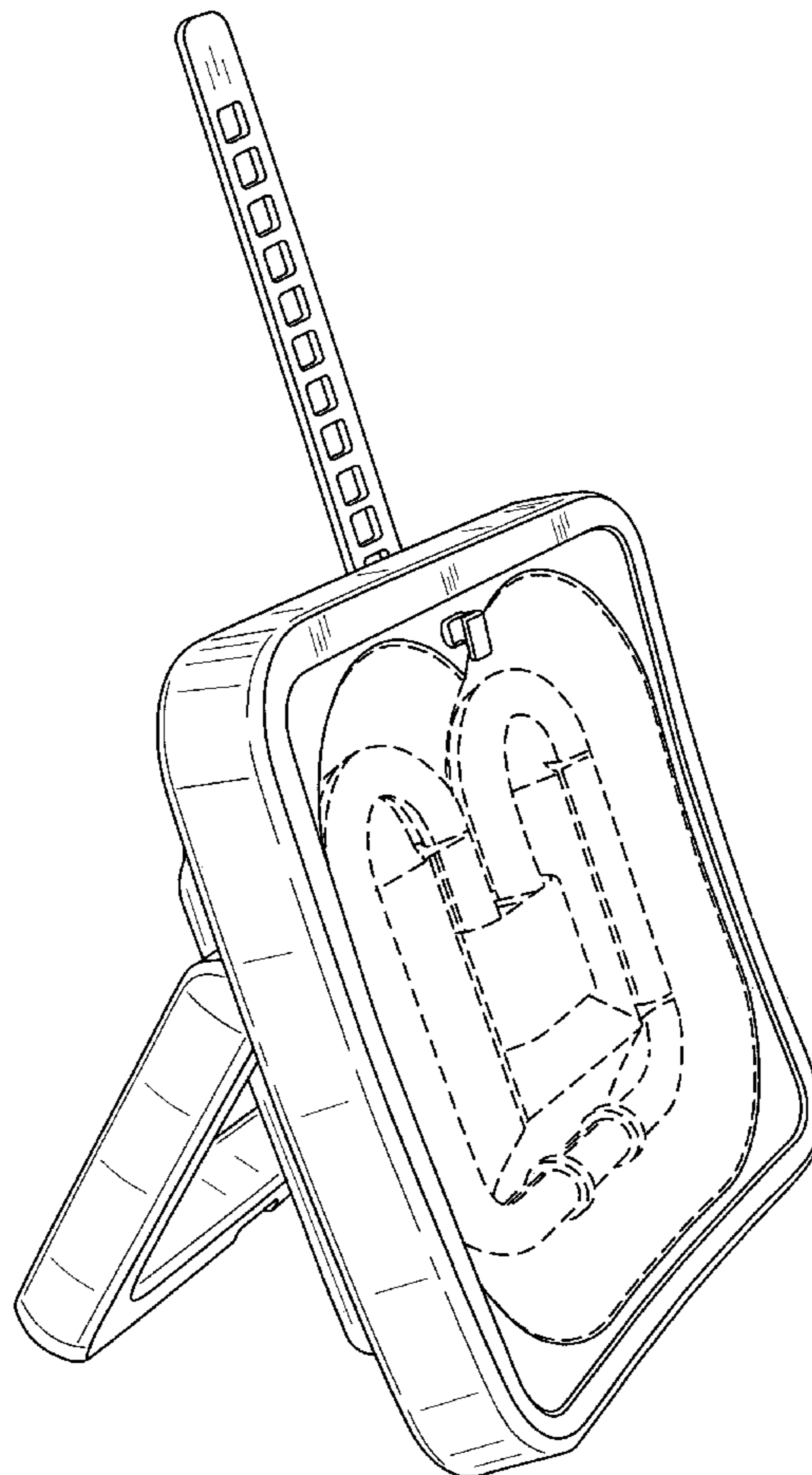
FIG. 1 is a perspective view from the left side of the front of a lamp showing my design, the portions of the lamp shown in broken lines are for the purpose of illustration and form no part of the claimed design;

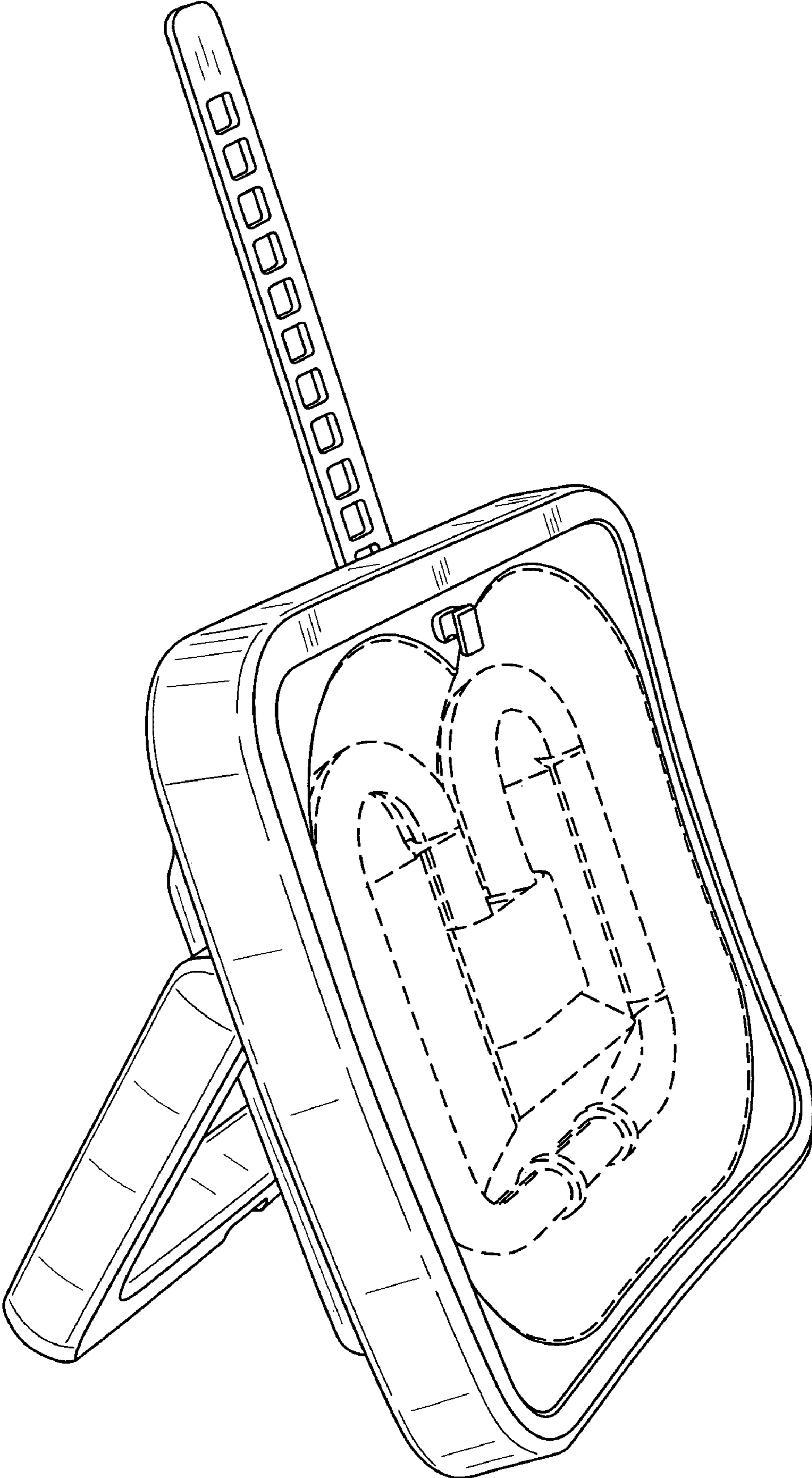
FIG. 2 is a perspective view from the left side of the rear thereof;

FIG. 3 is a perspective view from the right side of the rear thereof; and,

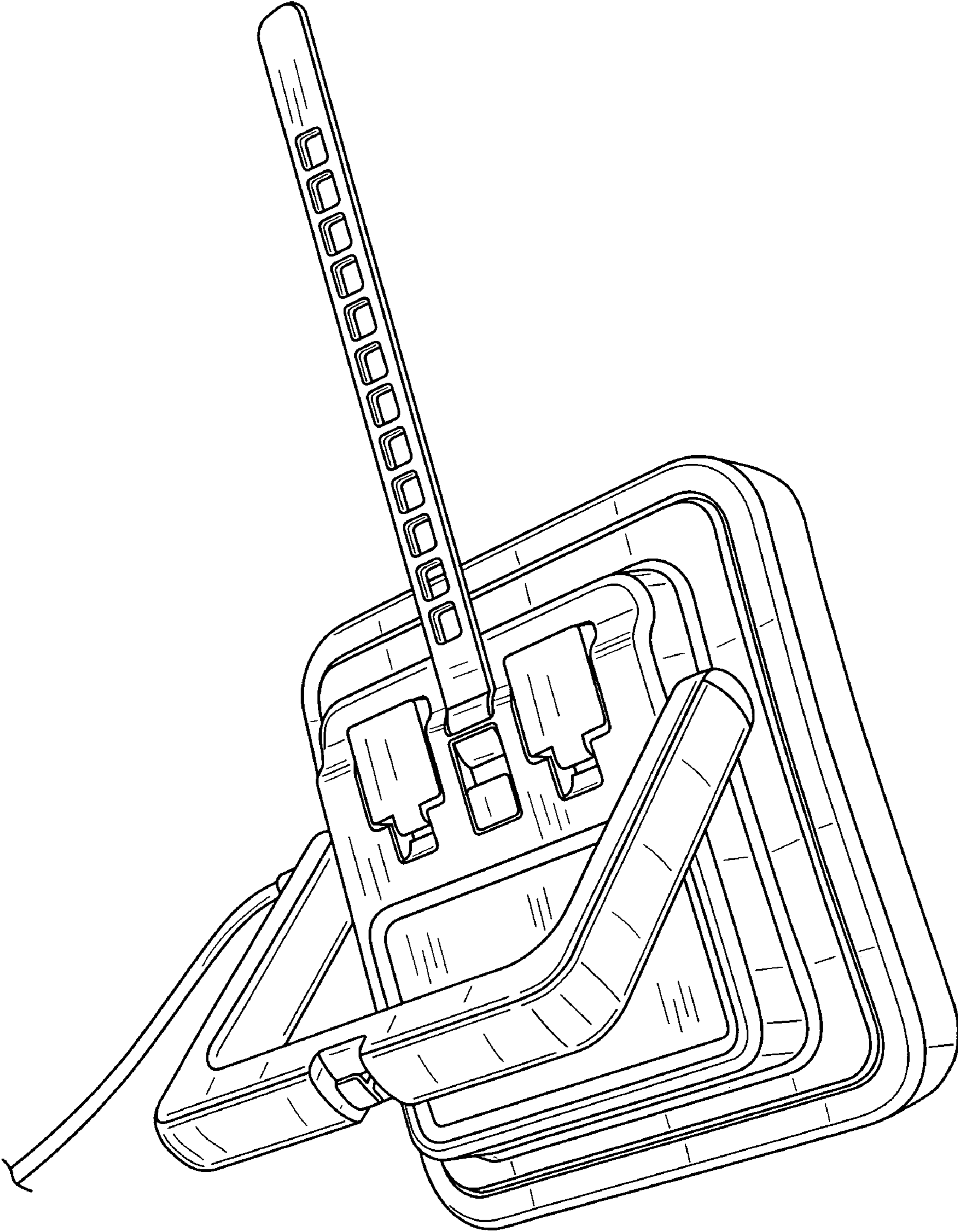
FIG. 4 is a perspective view from the top of the rear of the lamp, in an alternate position.

**1 Claim, 4 Drawing Sheets**

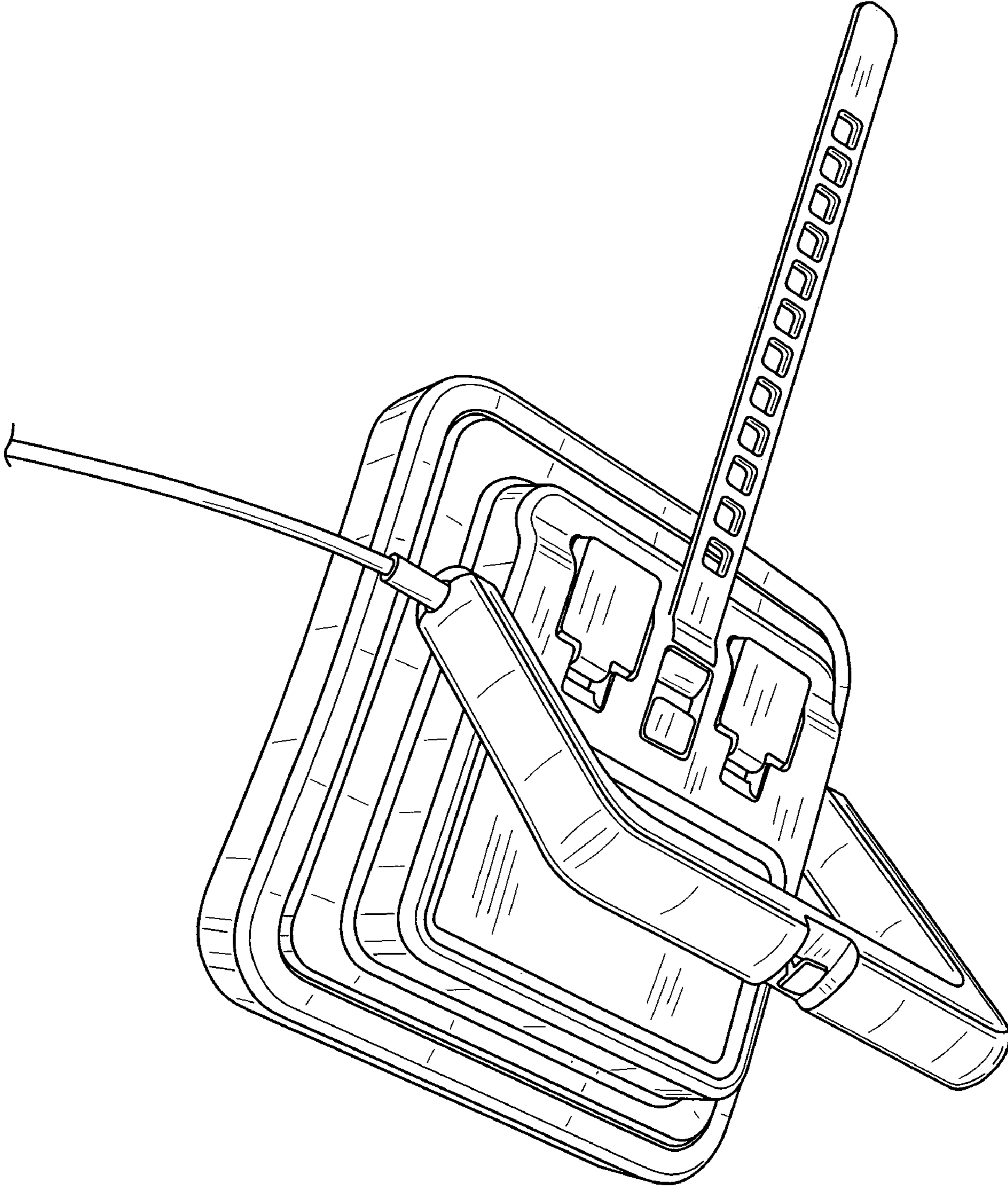




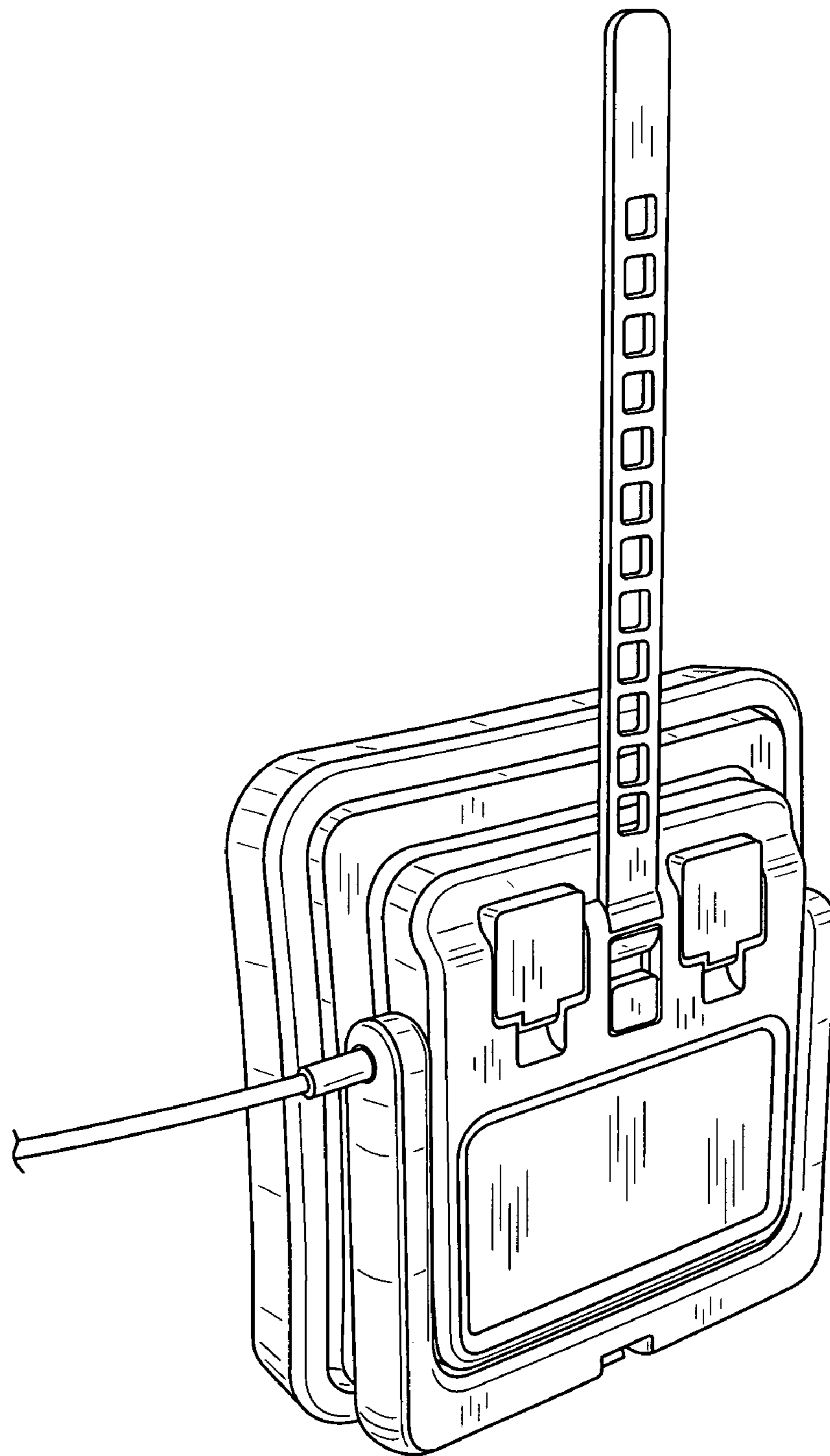
**FIG. 1**



**FIG. 2**



**FIG. 3**



**FIG. 4**