



US00D588733S

(12) **United States Design Patent**
O'Hern

(10) **Patent No.:** **US D588,733 S**
(45) **Date of Patent:** **** Mar. 17, 2009**

(54) **WORK LIGHT**

(75) Inventor: **Adam M. O'Hern**, Cambridge, MA
(US)

(73) Assignee: **Black & Decker Inc.**, Newark, DE (US)

(**) Term: **14 Years**

(21) Appl. No.: **29/292,192**

(22) Filed: **Oct. 2, 2007**

Related U.S. Application Data

(63) Continuation-in-part of application No. 29/272,640,
filed on Feb. 13, 2007, now Pat. No. Des. 558,369.

(51) **LOC (9) Cl.** **26-02**

(52) **U.S. Cl.** **D26/42**

(58) **Field of Classification Search** D26/37,
D26/42, 40, 44, 38; 362/601-606, 612, 157,
362/158, 185, 186, 190, 191, 194, 197
See application file for complete search history.

(56) **References Cited**

U.S. PATENT DOCUMENTS

5,293,306	A *	3/1994	Bamber	362/186
D351,037	S	9/1994	Poon		
5,415,420	A	5/1995	Koeller		
D359,371	S	6/1995	Osteen et al.		
5,580,157	A *	12/1996	Patricca et al.	362/191
D475,150	S	5/2003	Yuen		

6,799,863	B2	10/2004	Offiler et al.		
D505,220	S	5/2005	Stekelenburg		
D519,238	S	4/2006	Leen		
D524,962	S *	7/2006	Farmer	D26/37
D536,811	S *	2/2007	Stekelenburg	D26/37
D558,369	S *	12/2007	O'Hern	D26/42
D568,512	S *	5/2008	Shiu	D26/40

* cited by examiner

Primary Examiner—Ian Simmons

Assistant Examiner—Carissa C Fitts

(74) *Attorney, Agent, or Firm*—John Yun; Bruce S. Shapiro;
Wesley Muller

(57) **CLAIM**

The ornamental design for a work light, as shown and described.

DESCRIPTION

FIG. 1 is a perspective view of a work light showing the new design.

FIG. 2 is a front view of a work light according to FIG. 1.

FIG. 3 is a rear view of a work light according to FIG. 1.

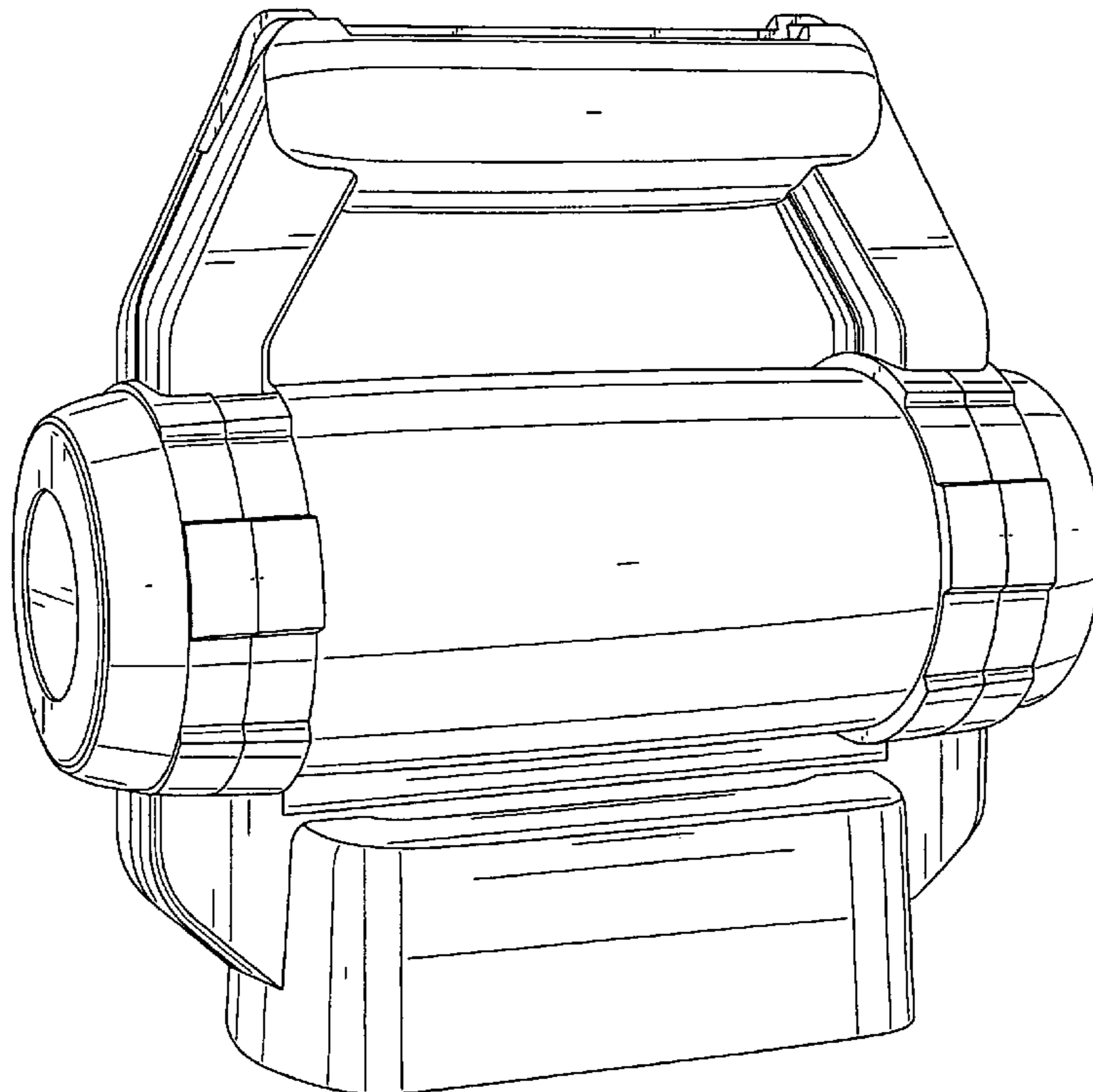
FIG. 4 is a right side view of a work light according to FIG. 1.

FIG. 5 is a left side view of a work light according to FIG. 1.

FIG. 6 is a top view of a work light according to FIG. 1; and,

FIG. 7 is a bottom view of a work light according to FIG. 1.

1 Claim, 7 Drawing Sheets



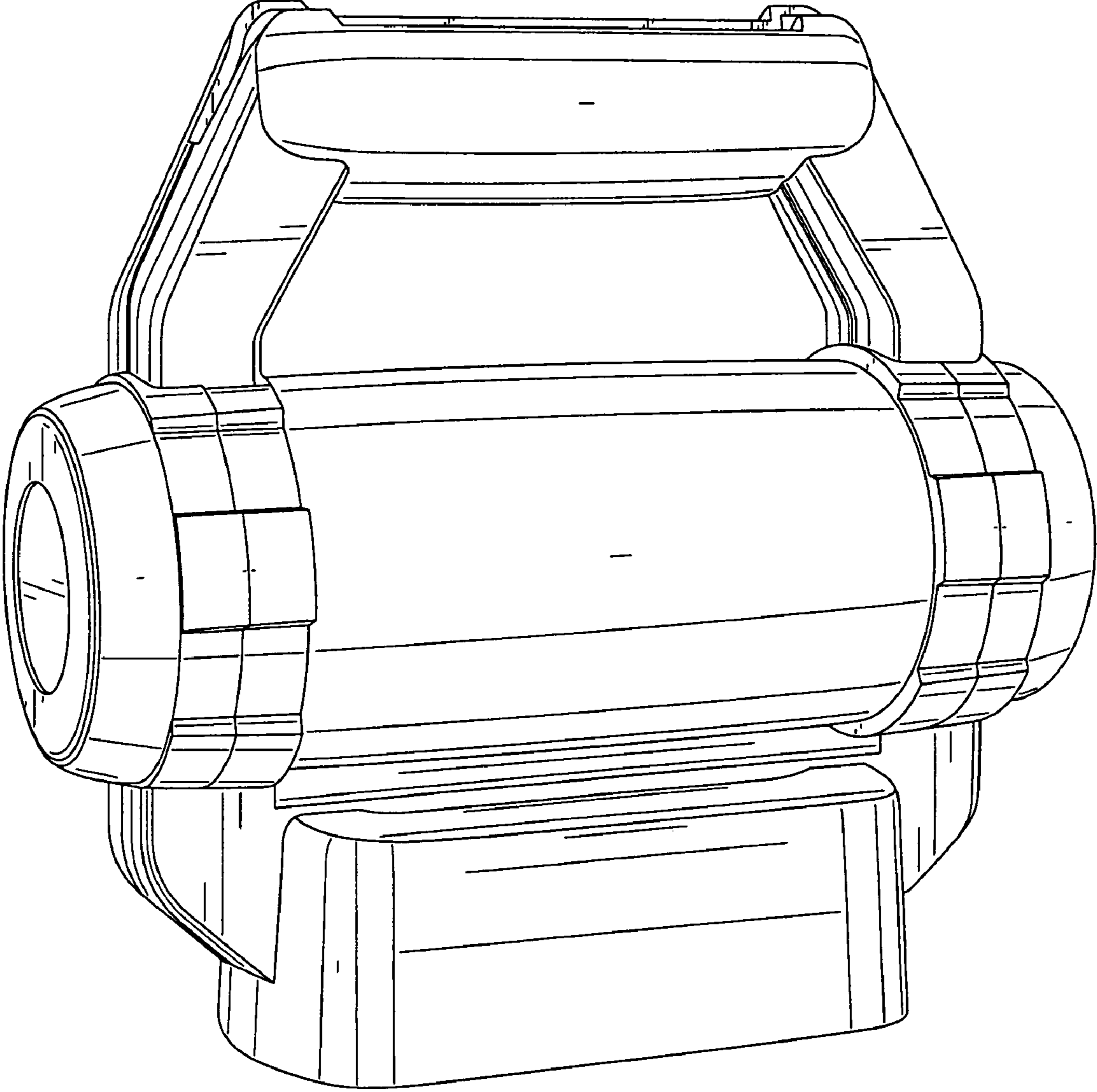


FIG. 1

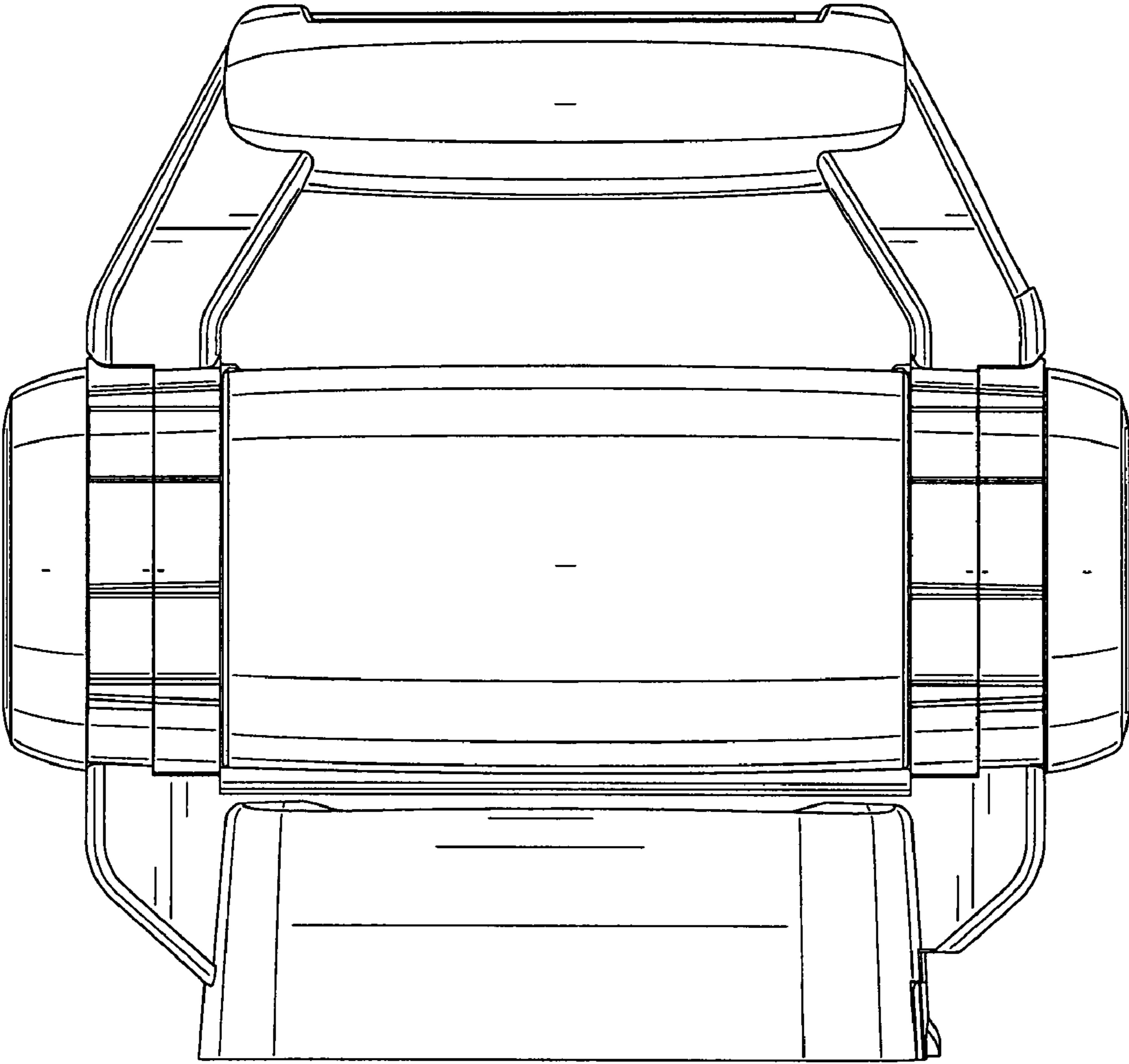


FIG. 2

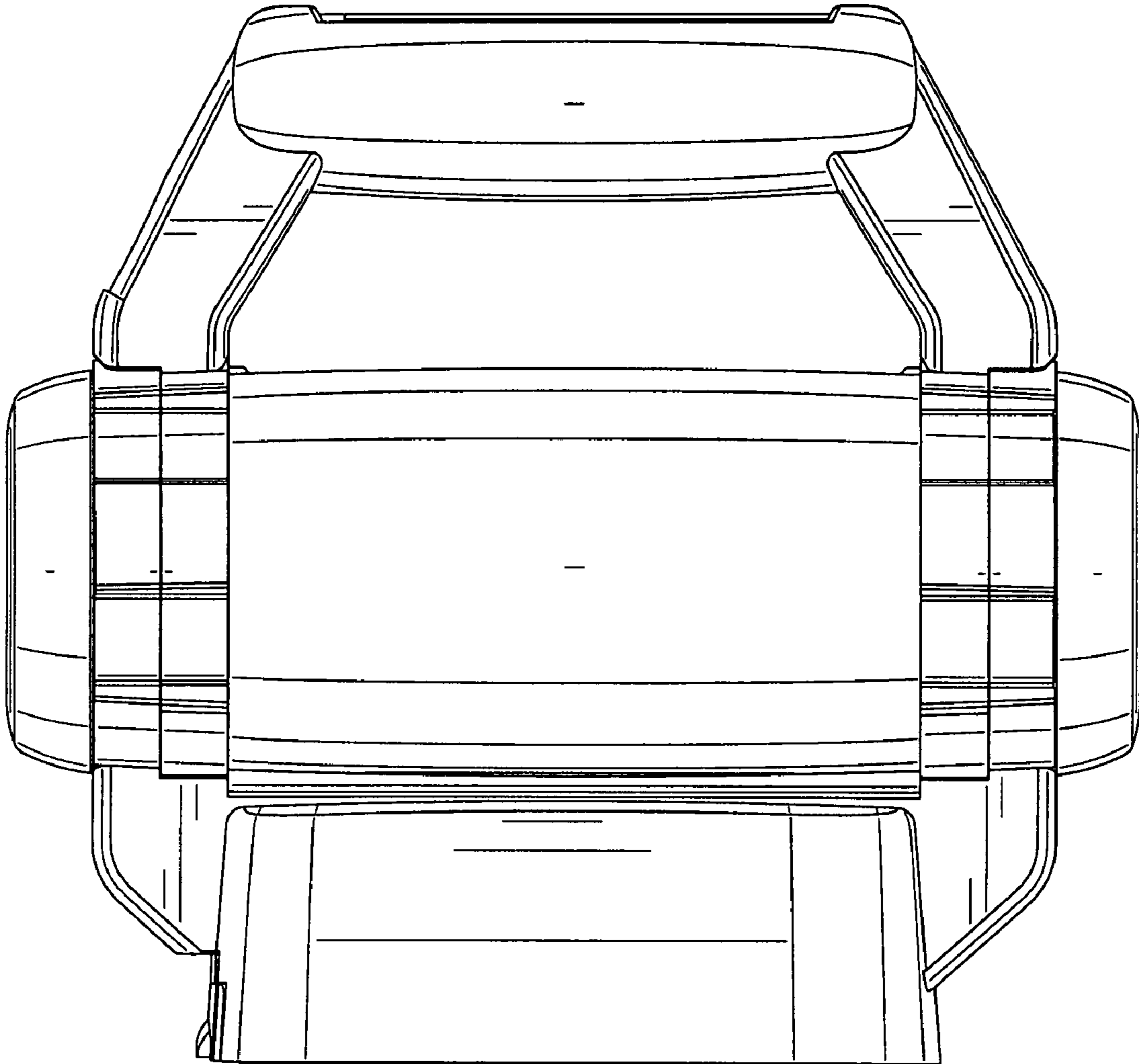


FIG. 3

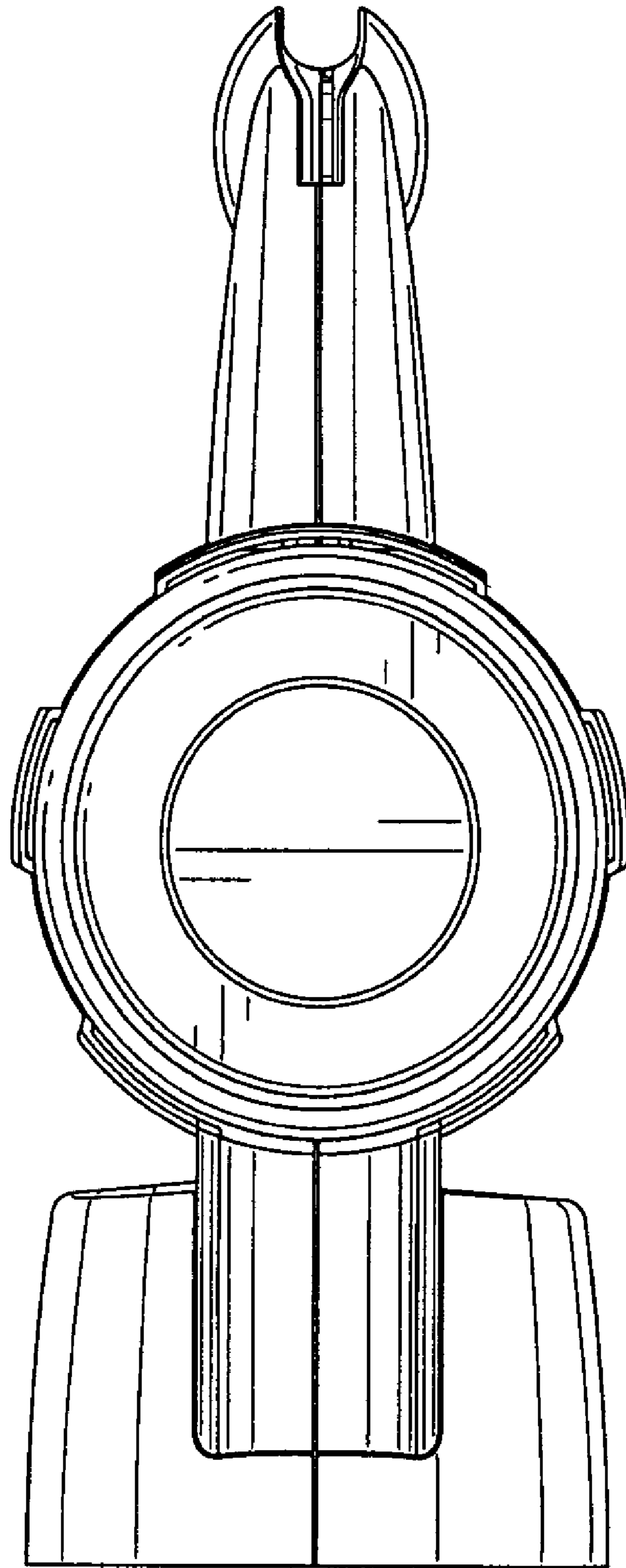


FIG. 4

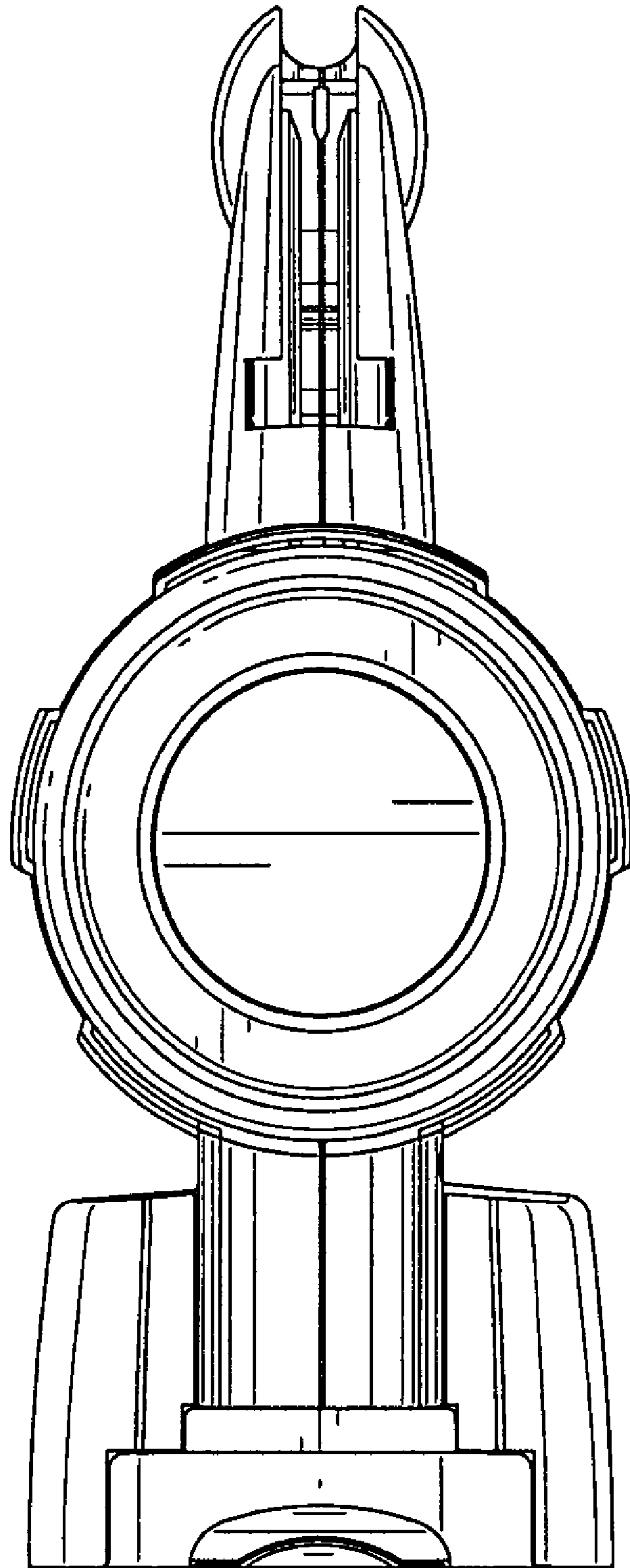


FIG. 5

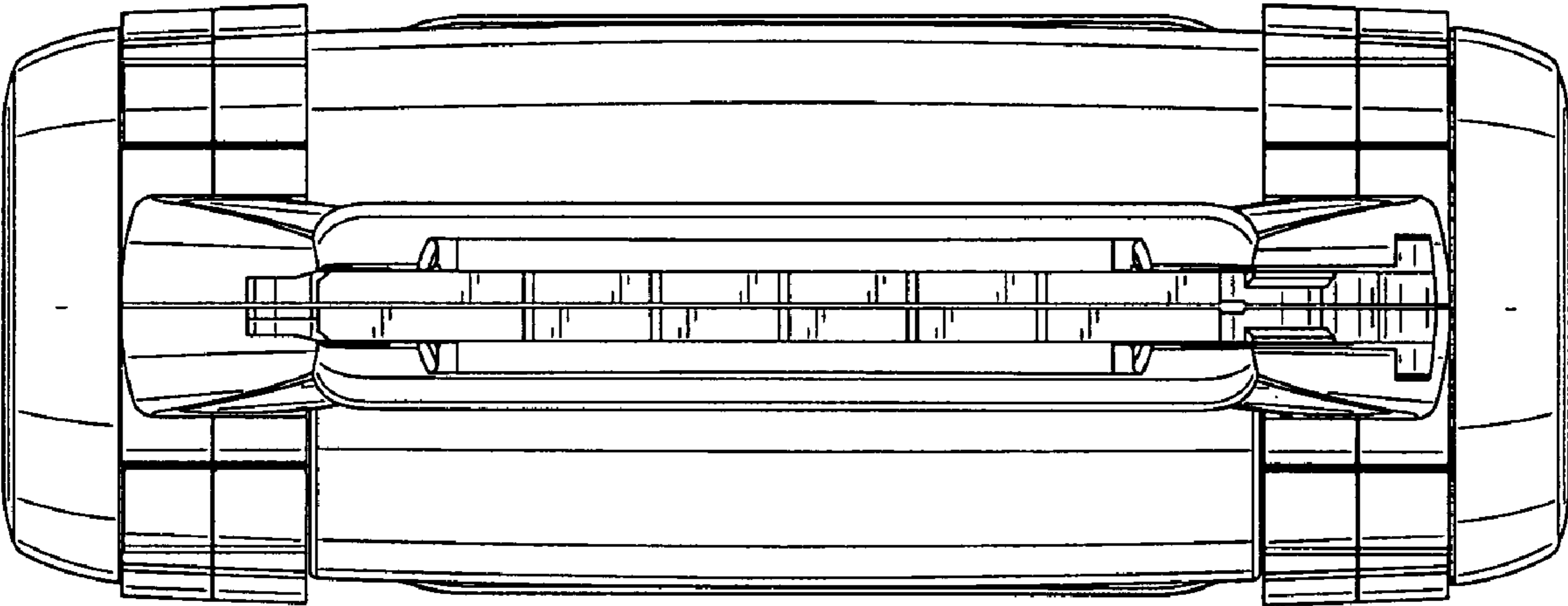


FIG. 6

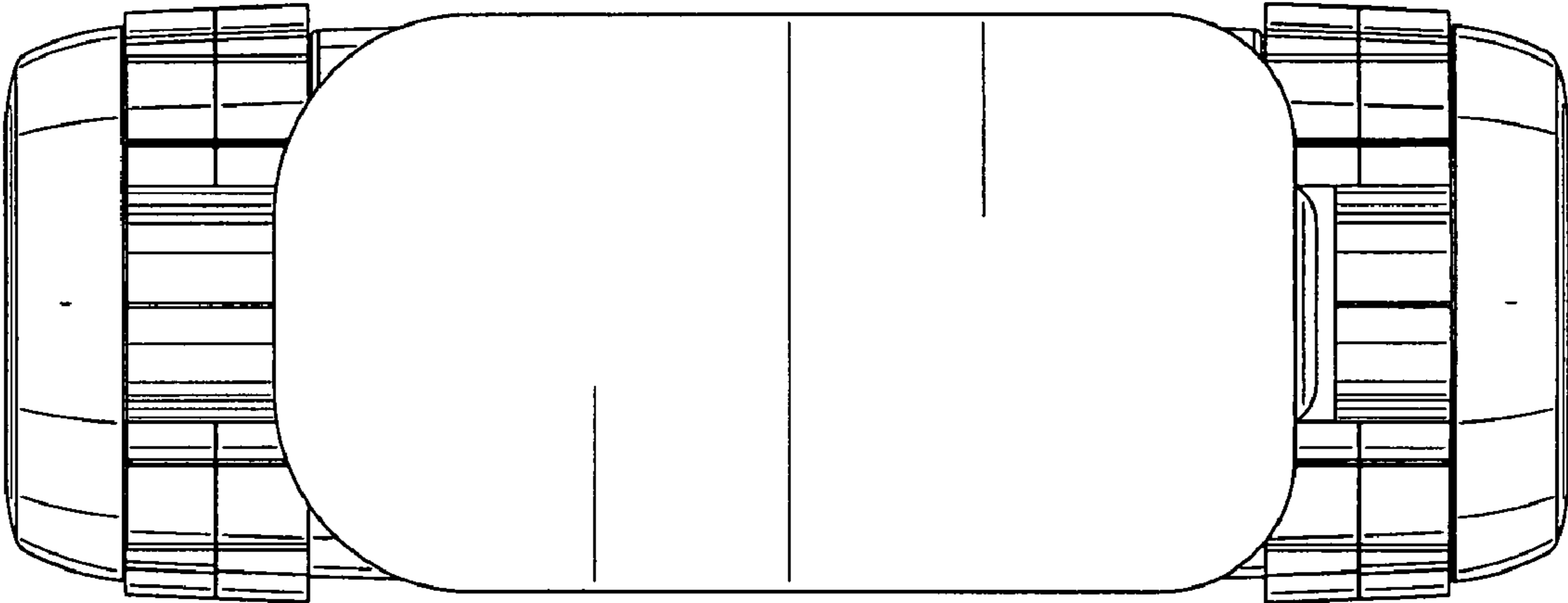


FIG. 7