



US00D588728S

(12) **United States Design Patent**
Hsu

(10) **Patent No.:** **US D588,728 S**
(45) **Date of Patent:** **** Mar. 17, 2009**

(54) **VEHICLE FRONT LIGHT UNIT**

D563,576 S * 3/2008 Hanaoka D26/28

* cited by examiner

(76) Inventor: **Hong Ming Hsu**, No. 152, Sec. 2,
Funong St. East District, Tainan City
(TW) 701

Primary Examiner—Marcus A. Jackson

(74) *Attorney, Agent, or Firm*—Alexander Chen, Esq.

(**) Term: **14 Years**

(57) **CLAIM**

(21) Appl. No.: **29/322,938**

The ornamental design for an vehicle front light unit, as shown and described.

(22) Filed: **Aug. 14, 2008**

DESCRIPTION

(51) **LOC (9) Cl.** **26-06**

FIG. 1 is perspective view from the front right of an exterior surface configuration of a vehicle front light.

(52) **U.S. Cl.** **D26/28**

FIG. 2 is a front elevation view thereof;

(58) **Field of Classification Search** D26/28-36;
362/459-468, 475-478, 485-487

FIG. 3 is a right elevation view thereof; and,

See application file for complete search history.

FIG. 4 is a top view thereof.

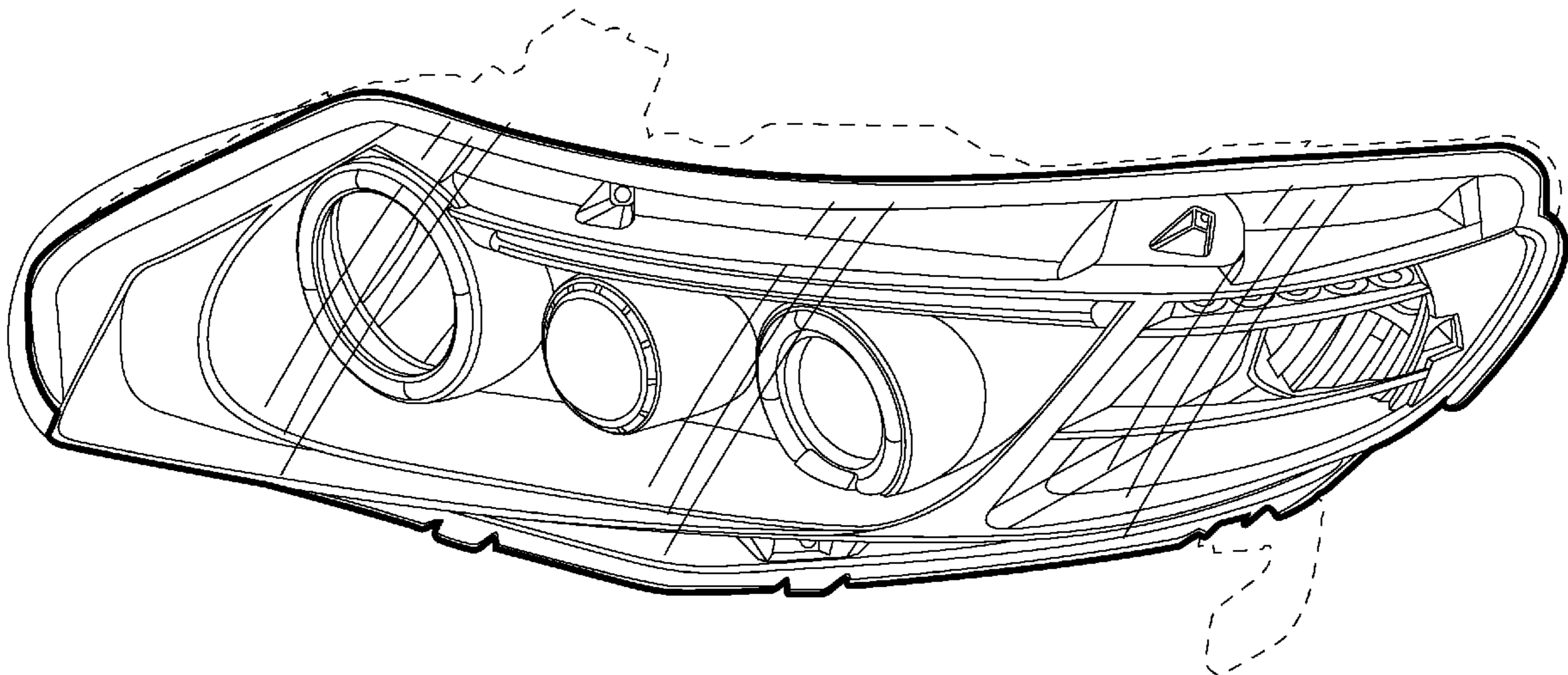
(56) **References Cited**

The drawings and descriptions represent the left side embodiment. The design also contemplates a mirror symmetrical embodiment on the right side of the vehicle. The dash line included denotes environment and is not part of the claimed design.

U.S. PATENT DOCUMENTS

- D560,291 S * 1/2008 Koyama D26/28
- D560,832 S * 1/2008 Hsu D26/28
- D561,358 S * 2/2008 Tachibana D26/28
- D561,359 S * 2/2008 Hsu D26/28

1 Claim, 4 Drawing Sheets



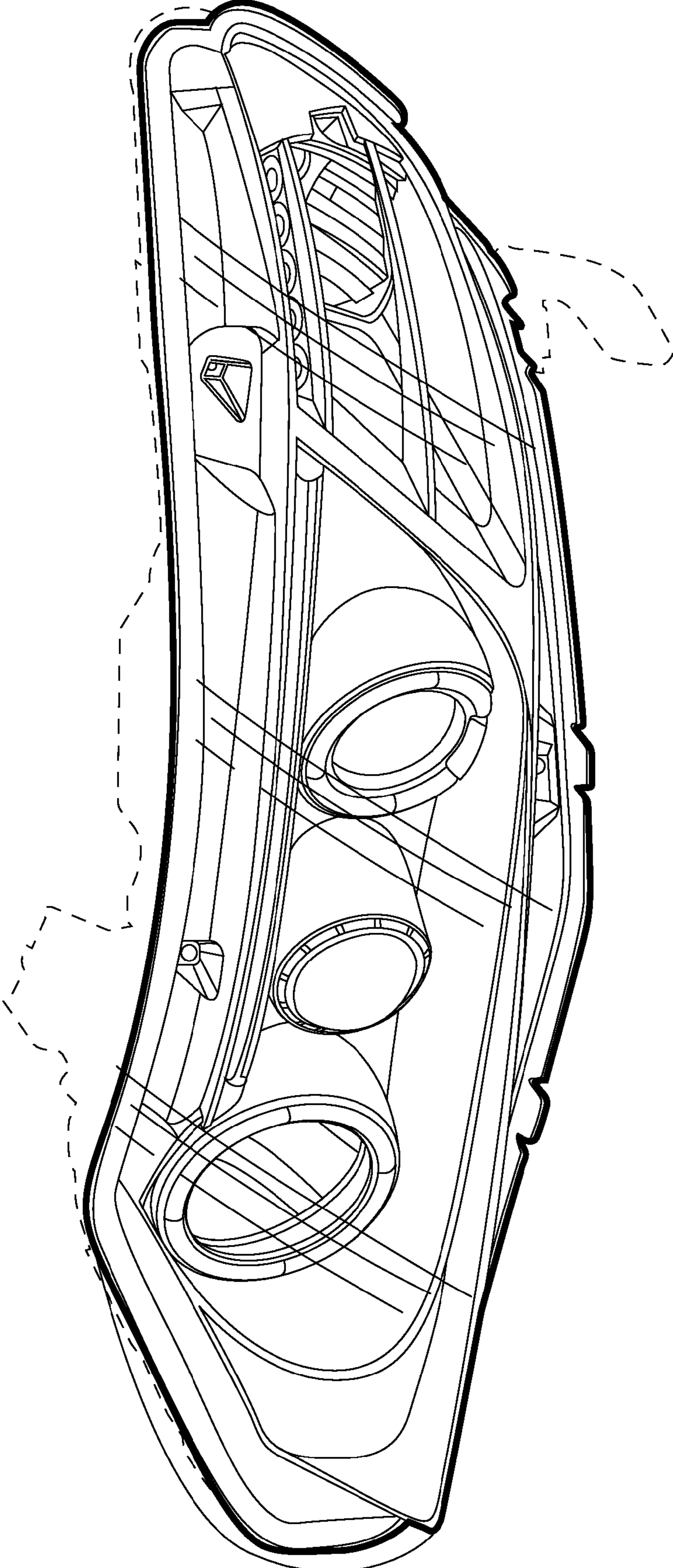


FIG. 1

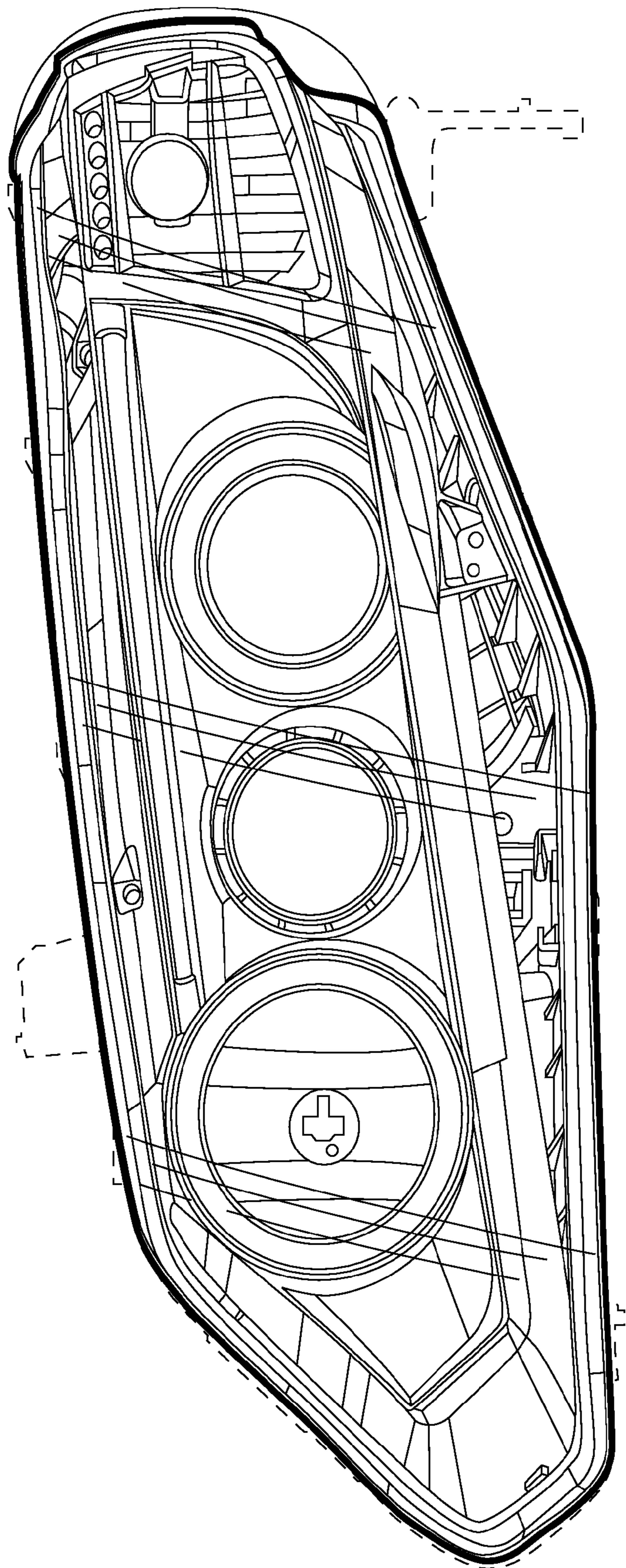


FIG. 2

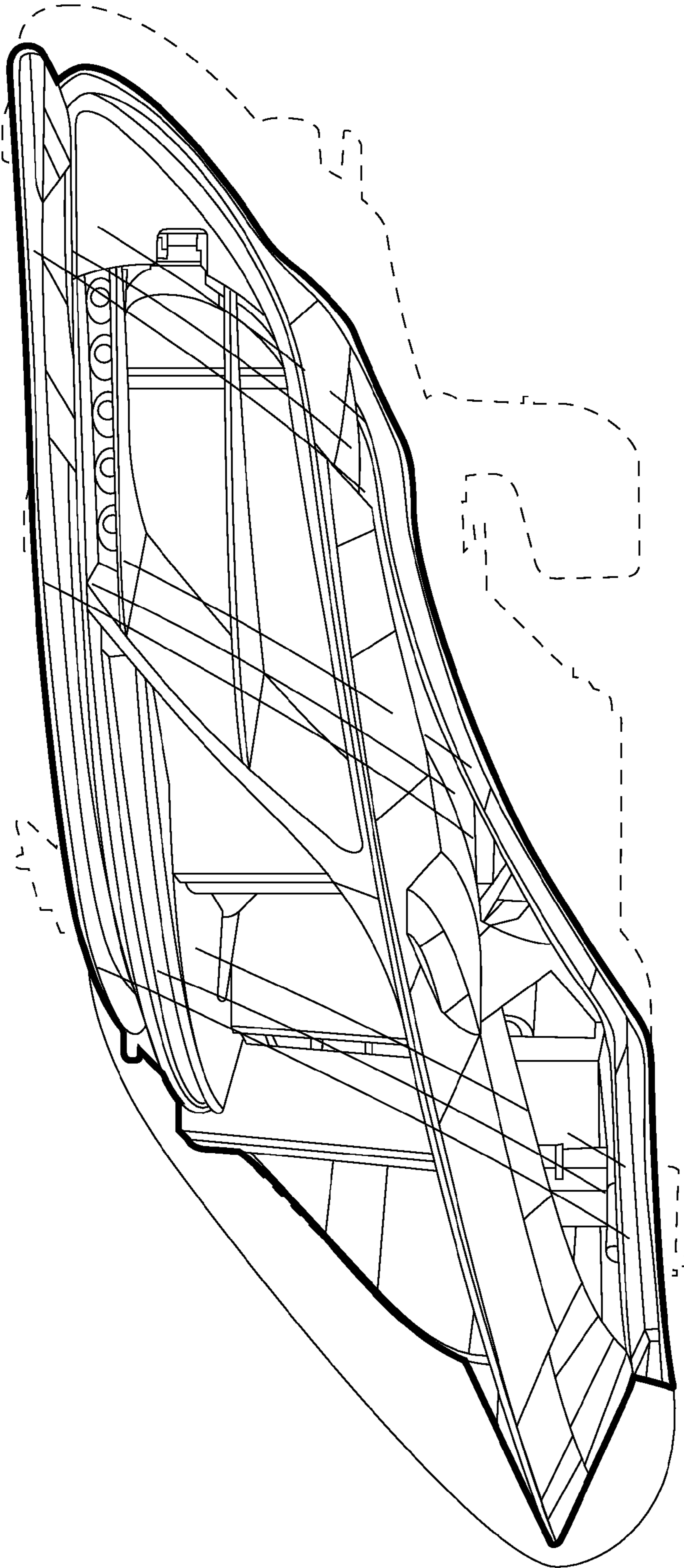


FIG. 3

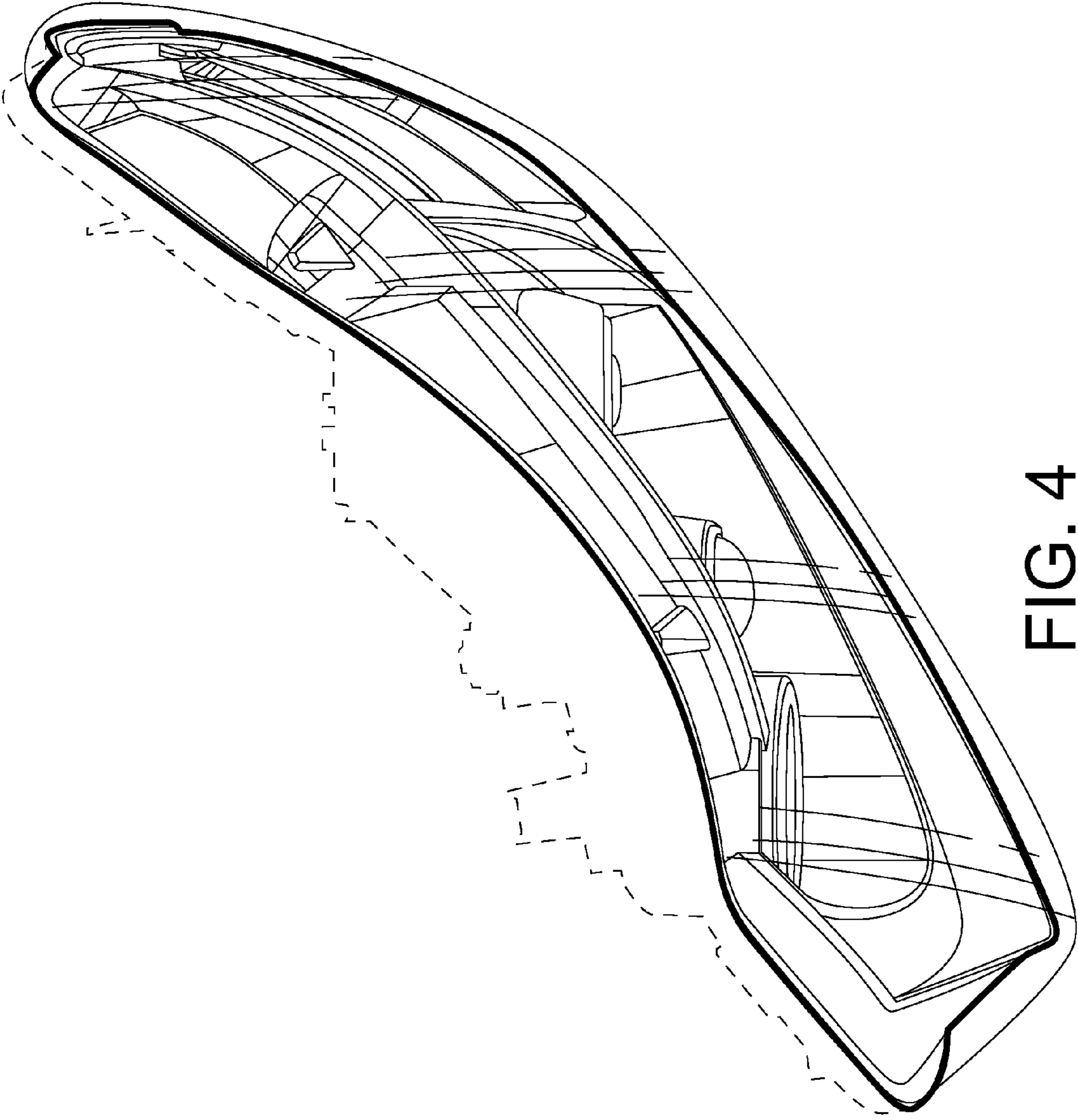


FIG. 4