



US00D588727S

(12) **United States Design Patent**  
**Hsu**

(10) **Patent No.:** **US D588,727 S**  
(45) **Date of Patent:** **\*\* Mar. 17, 2009**

(54) **VEHICLE FRONT LIGHT UNIT**

(76) Inventor: **Hong Ming Hsu**, No. 152, Sec 2,  
Funong St. East District, Tainan City  
(TW) 701

(\*\*) Term: **14 Years**

(21) Appl. No.: **29/322,933**

(22) Filed: **Aug. 14, 2008**

(51) **LOC (9) Cl.** ..... **26-06**

(52) **U.S. Cl.** ..... **D26/28**

(58) **Field of Classification Search** ..... D26/28-36;  
362/459-468, 475-478, 485-487  
See application file for complete search history.

(56) **References Cited**

**U.S. PATENT DOCUMENTS**

D560,832 S *	1/2008	Hsu	.....	D26/28
D561,359 S *	2/2008	Hsu	.....	D26/28
D563,576 S *	3/2008	Hanaoka	.....	D26/28

\* cited by examiner

*Primary Examiner*—Marcus A. Jackson  
(74) *Attorney, Agent, or Firm*—Alexander Chen, Esq.

(57) **CLAIM**

The ornamental design for vehicle front light unit, as shown and described.

**DESCRIPTION**

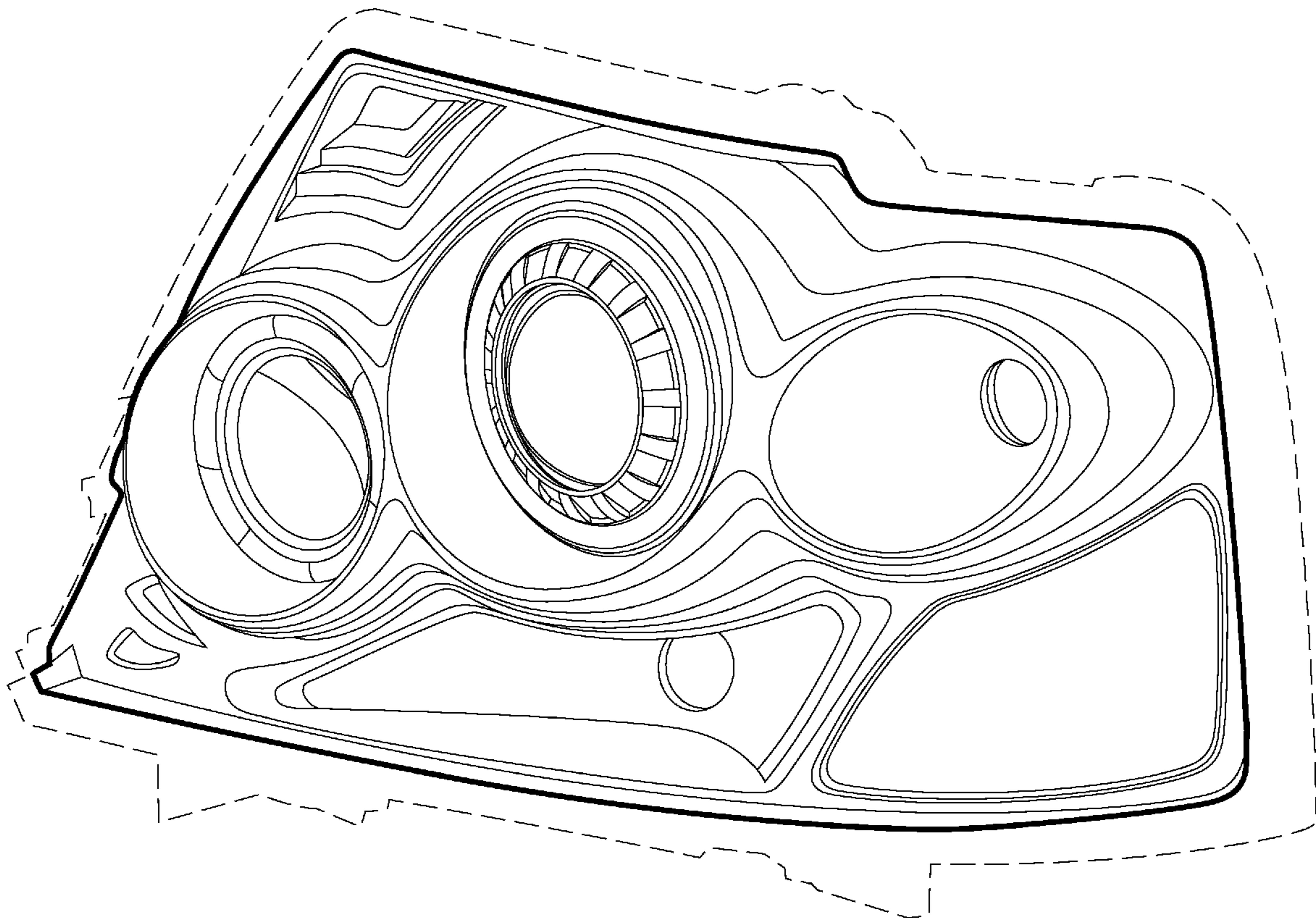
FIG. 1 is perspective view from the front right of a vehicle front light unit. The drawings and descriptions represent the left side embodiment. The design also contemplates a mirror symmetrical embodiment on the right side of the vehicle. The dash line included denotes environment and is not part of the claimed design

FIG. 2 is a front elevation view thereof;

FIG. 3 is a right elevation view thereof; and,

FIG. 4 is a top view thereof.

**1 Claim, 4 Drawing Sheets**



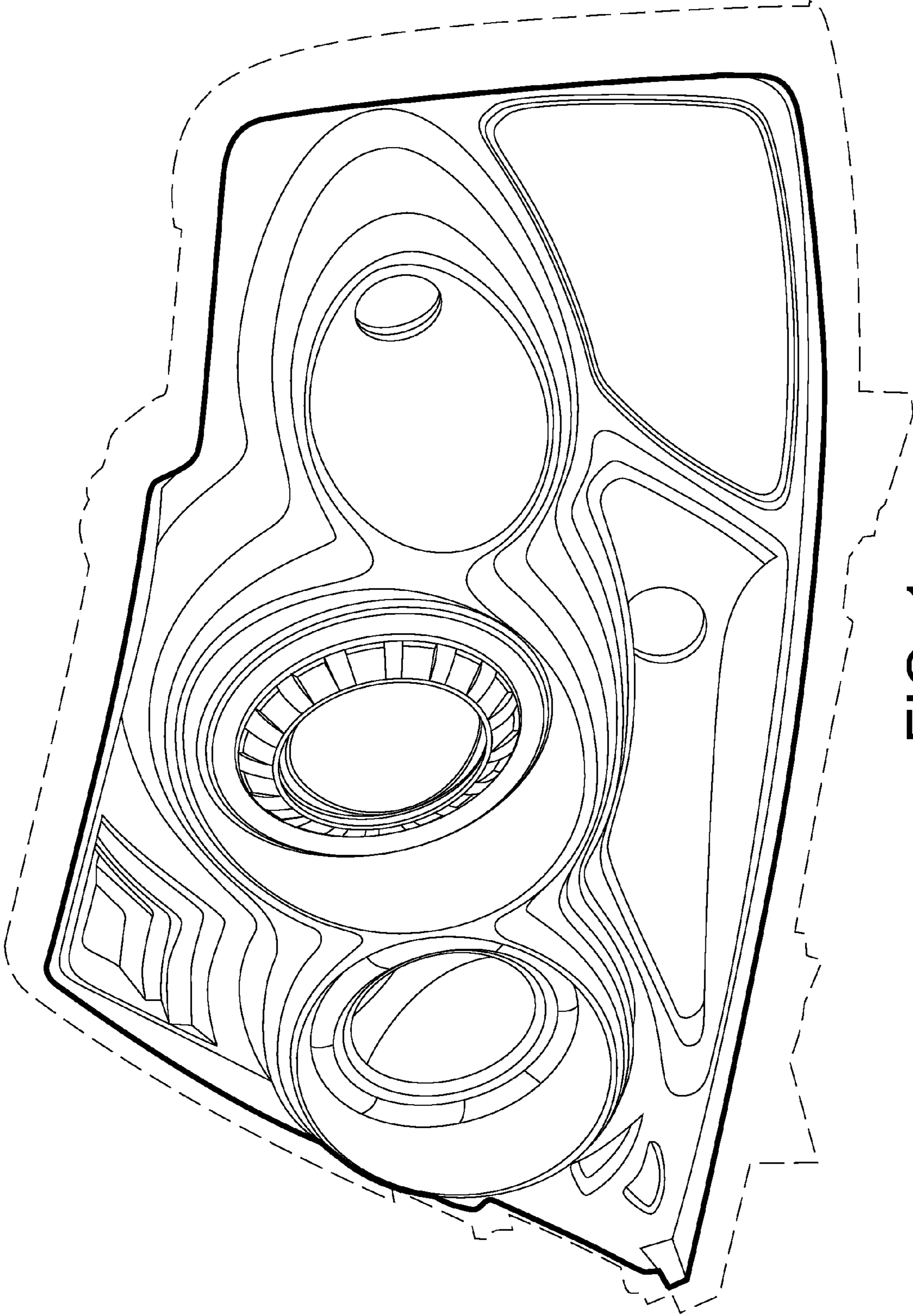


FIG. 1

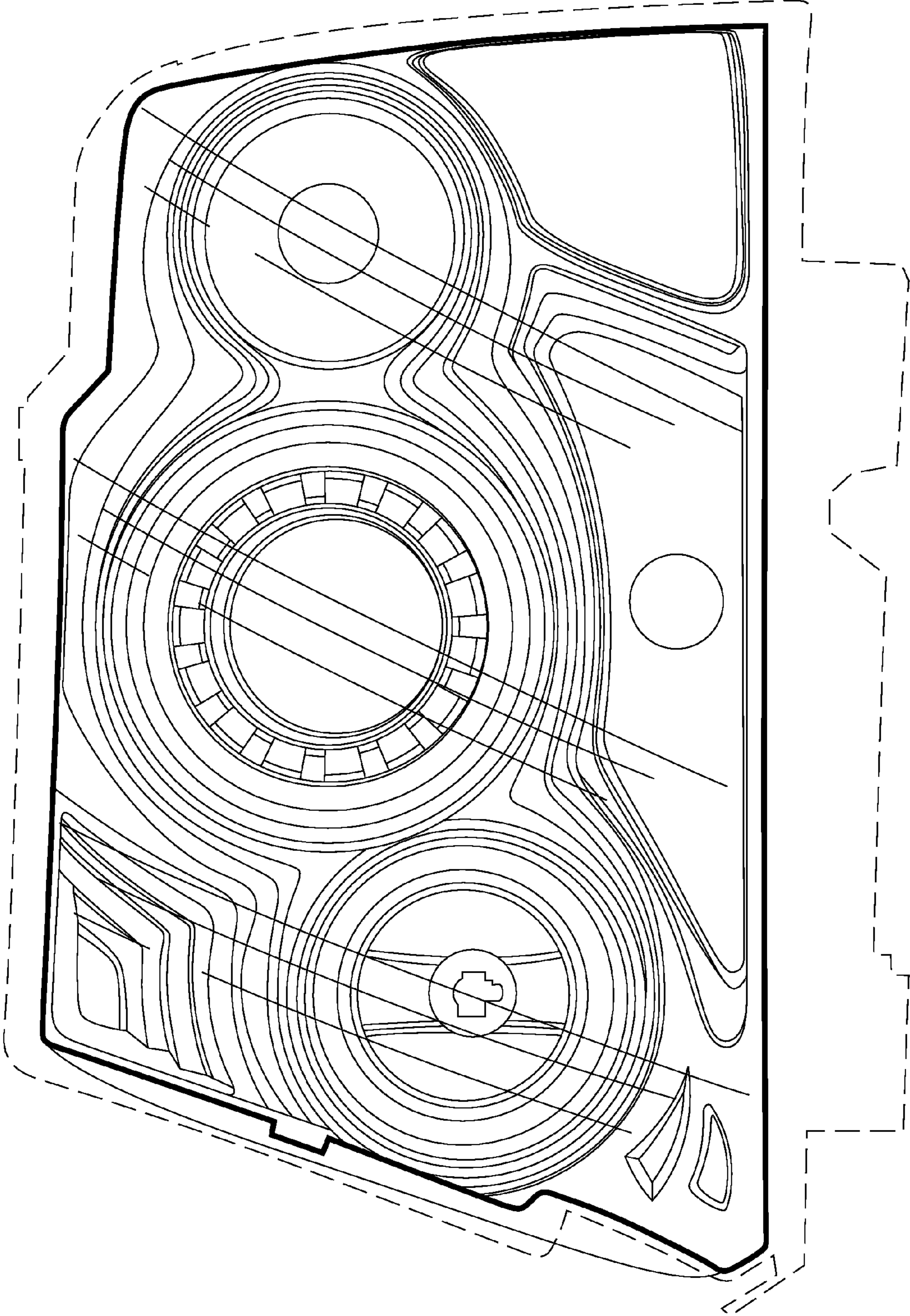


FIG. 2

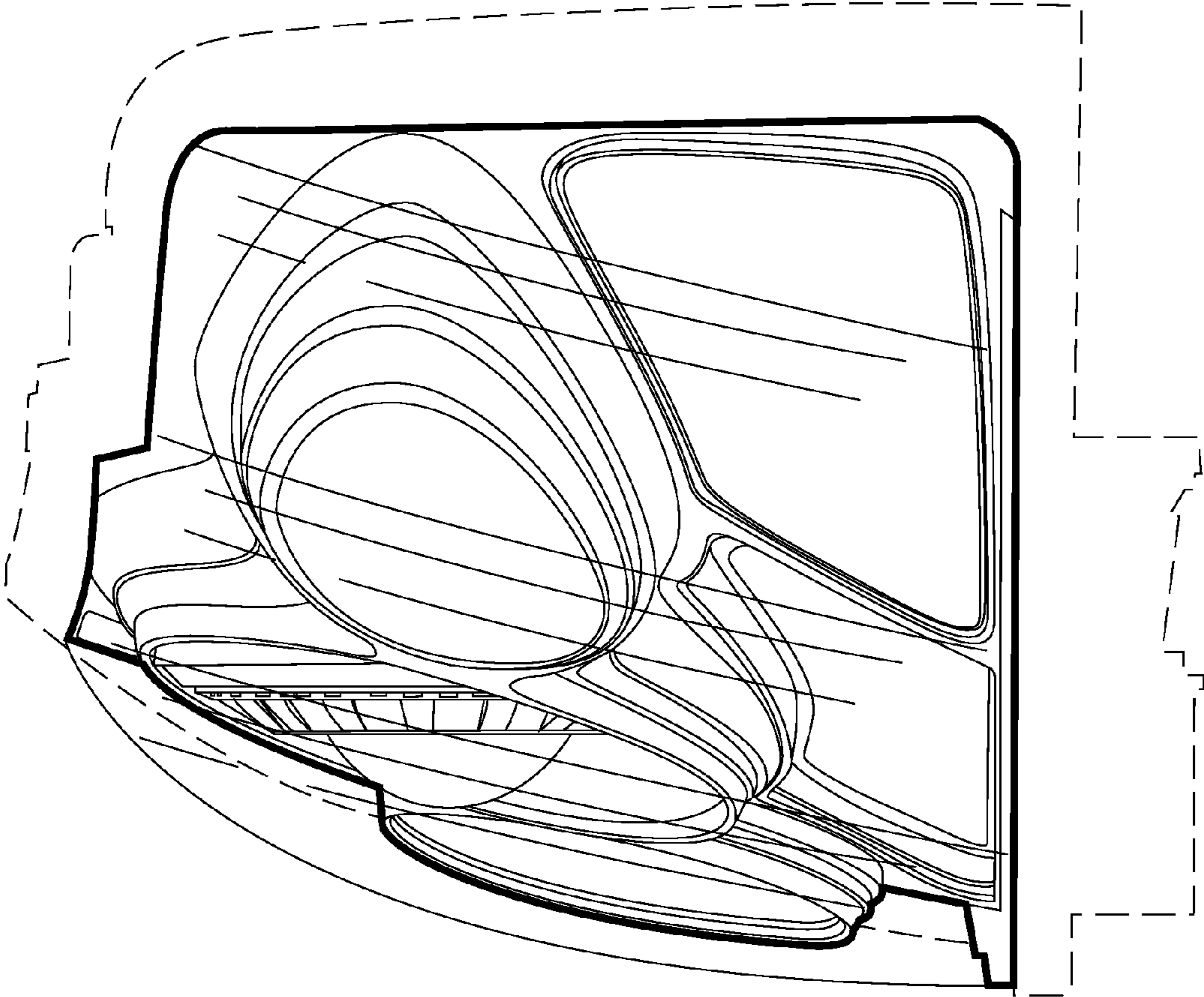


FIG. 3

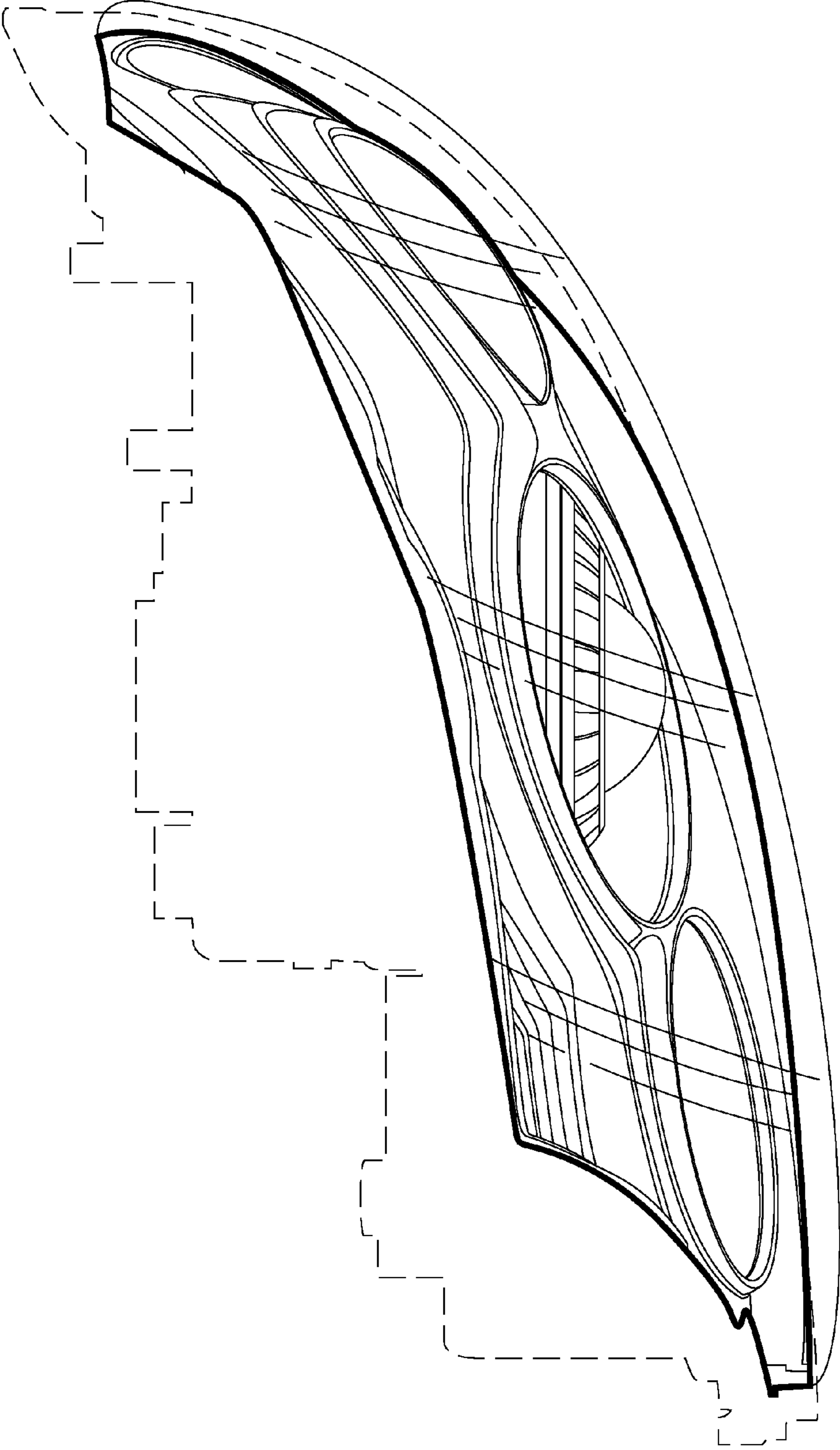


FIG. 4