



US00D588723S

(12) **United States Design Patent**  
**Hsu**

(10) **Patent No.:** **US D588,723 S**  
(45) **Date of Patent:** **\*\* Mar. 17, 2009**

(54) **VEHICLE FRONT LIGHT UNIT**

(76) Inventor: **Hong Ming Hsu**, No 152, Sec 2, Funong St. East District, Tainan City (TW) 701

(\*\*) Term: **14 Years**

(21) Appl. No.: **29/321,062**

(22) Filed: **Jul. 10, 2008**

(51) **LOC (9) Cl.** ..... **26-06**

(52) **U.S. Cl.** ..... **D26/28**

(58) **Field of Classification Search** ..... D26/28-36;  
362/459-468, 475-478, 485-487

See application file for complete search history.

(56) **References Cited**

**U.S. PATENT DOCUMENTS**

|              |        |           |       |        |
|--------------|--------|-----------|-------|--------|
| D560,291 S * | 1/2008 | Koyama    | ..... | D26/28 |
| D560,832 S * | 1/2008 | Hsu       | ..... | D26/28 |
| D561,358 S * | 2/2008 | Tachibana | ..... | D26/28 |
| D561,359 S * | 2/2008 | Hsu       | ..... | D26/28 |
| D563,576 S * | 3/2008 | Hanaoka   | ..... | D26/28 |

\* cited by examiner

*Primary Examiner*—Marcus A. Jackson

(74) *Attorney, Agent, or Firm*—Alexander Chen, Esq.

(57) **CLAIM**

The ornamental design for a vehicle front light unit, as shown and described.

**DESCRIPTION**

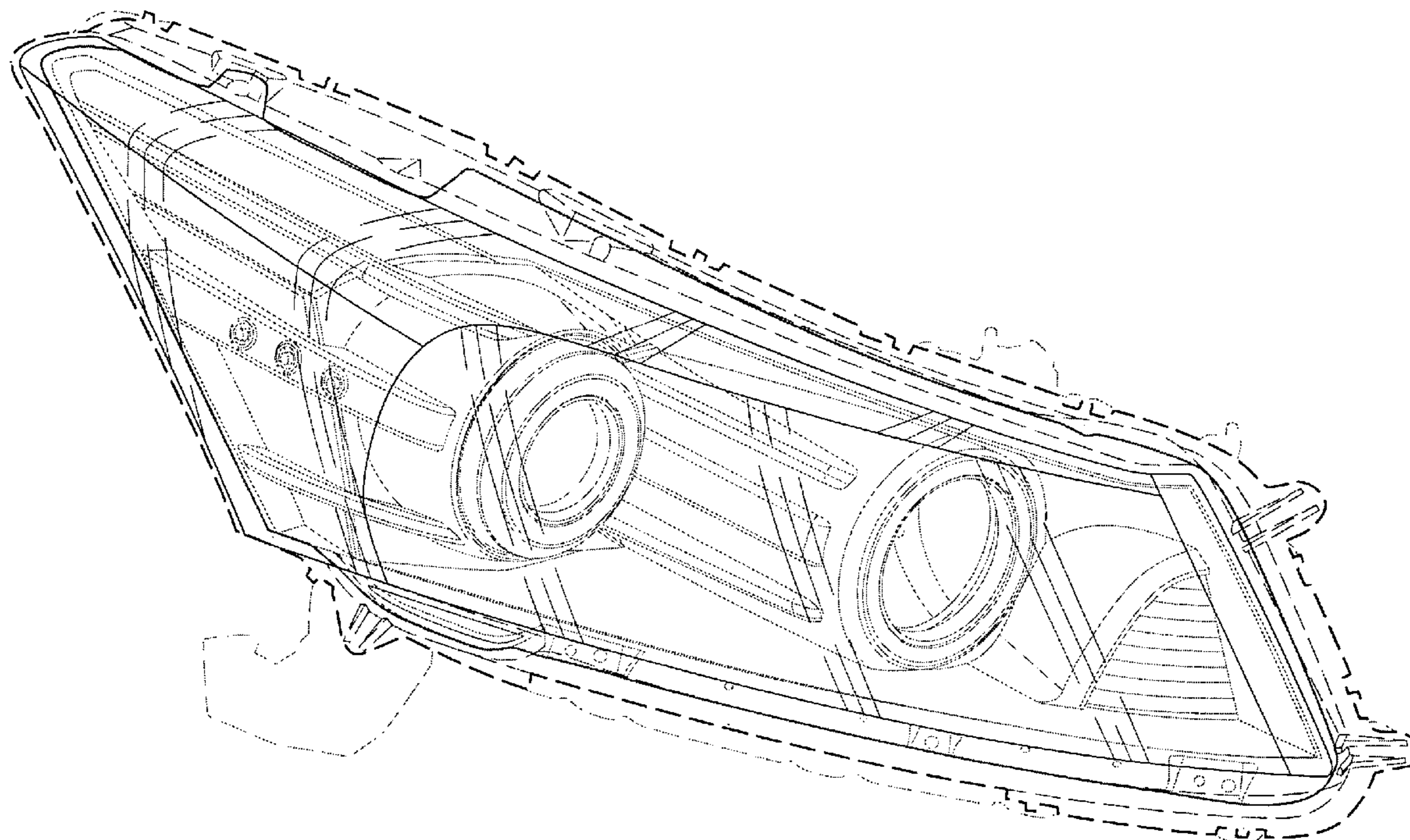
FIG. 1 is perspective view from the front left of an exterior surface configuration of a vehicle front light. The drawings and descriptions represent the right side embodiment. The design also contemplates a mirror symmetrical embodiment on the left side of the vehicle. The dash line included denotes environment and is not part of the claimed design

FIG. 2 is a front elevation view thereof;

FIG. 3 is a left elevation view thereof; and,

FIG. 4 is a top view thereof.

**1 Claim, 4 Drawing Sheets**



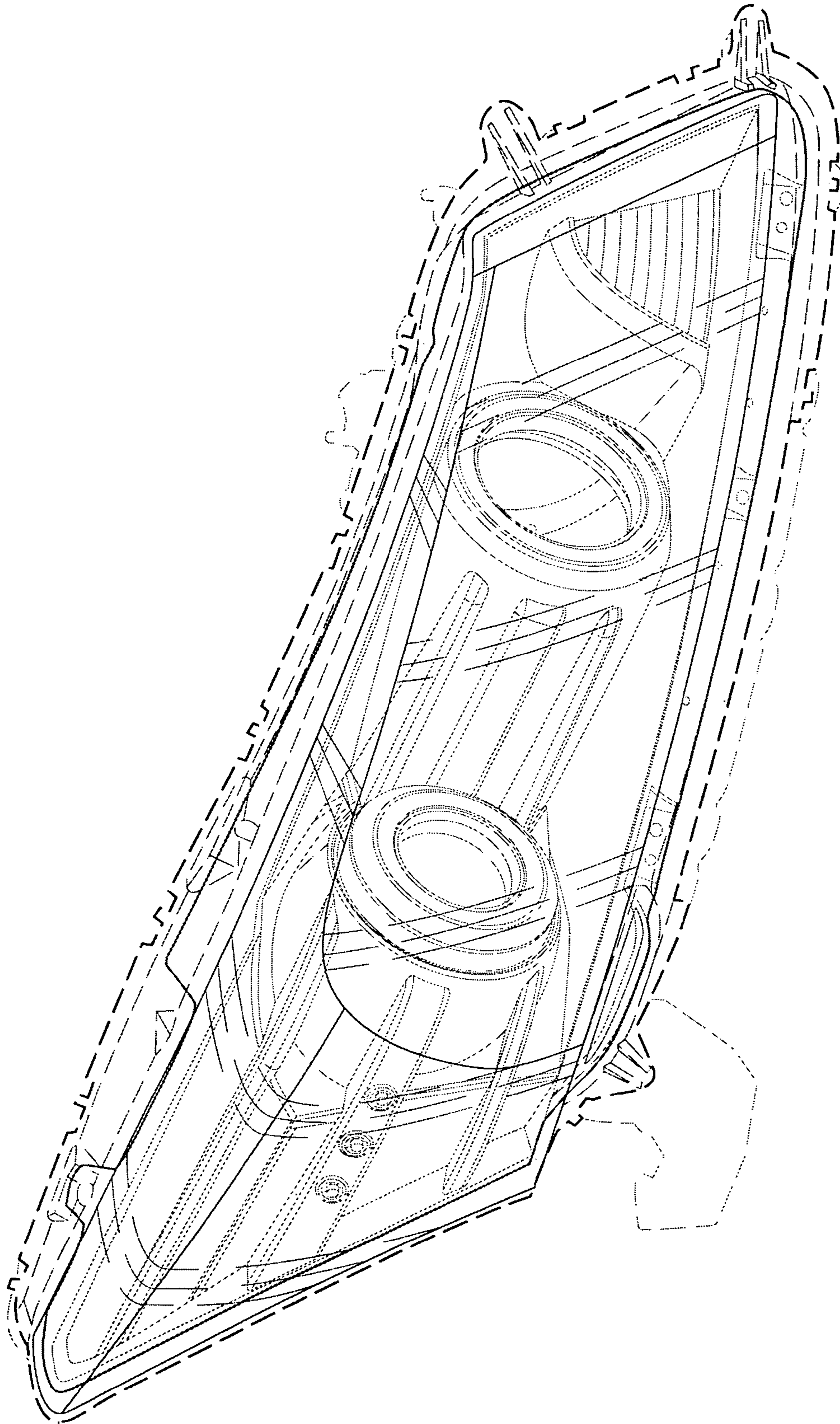


Fig. 1

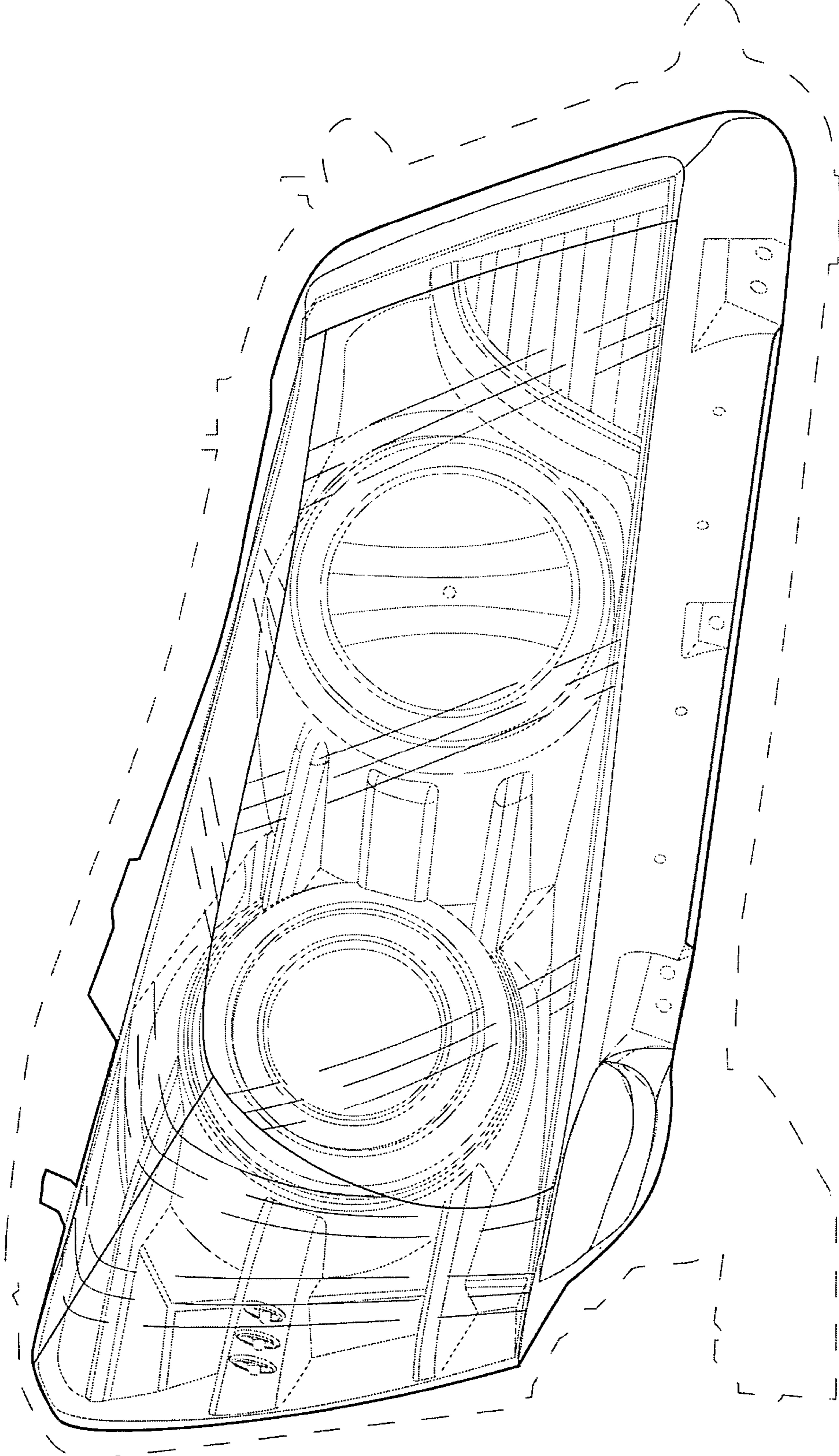


Fig. 2

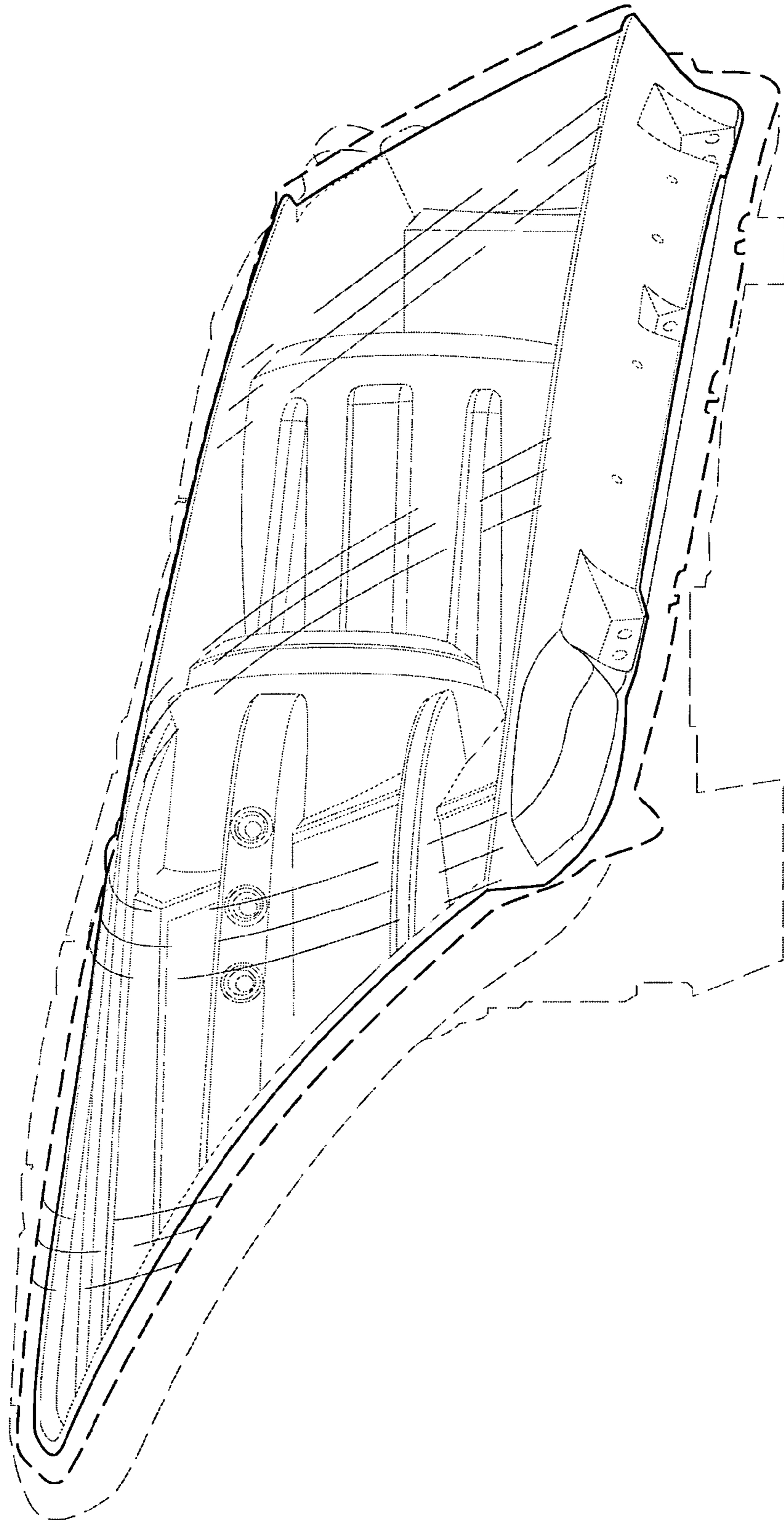


Fig. 3

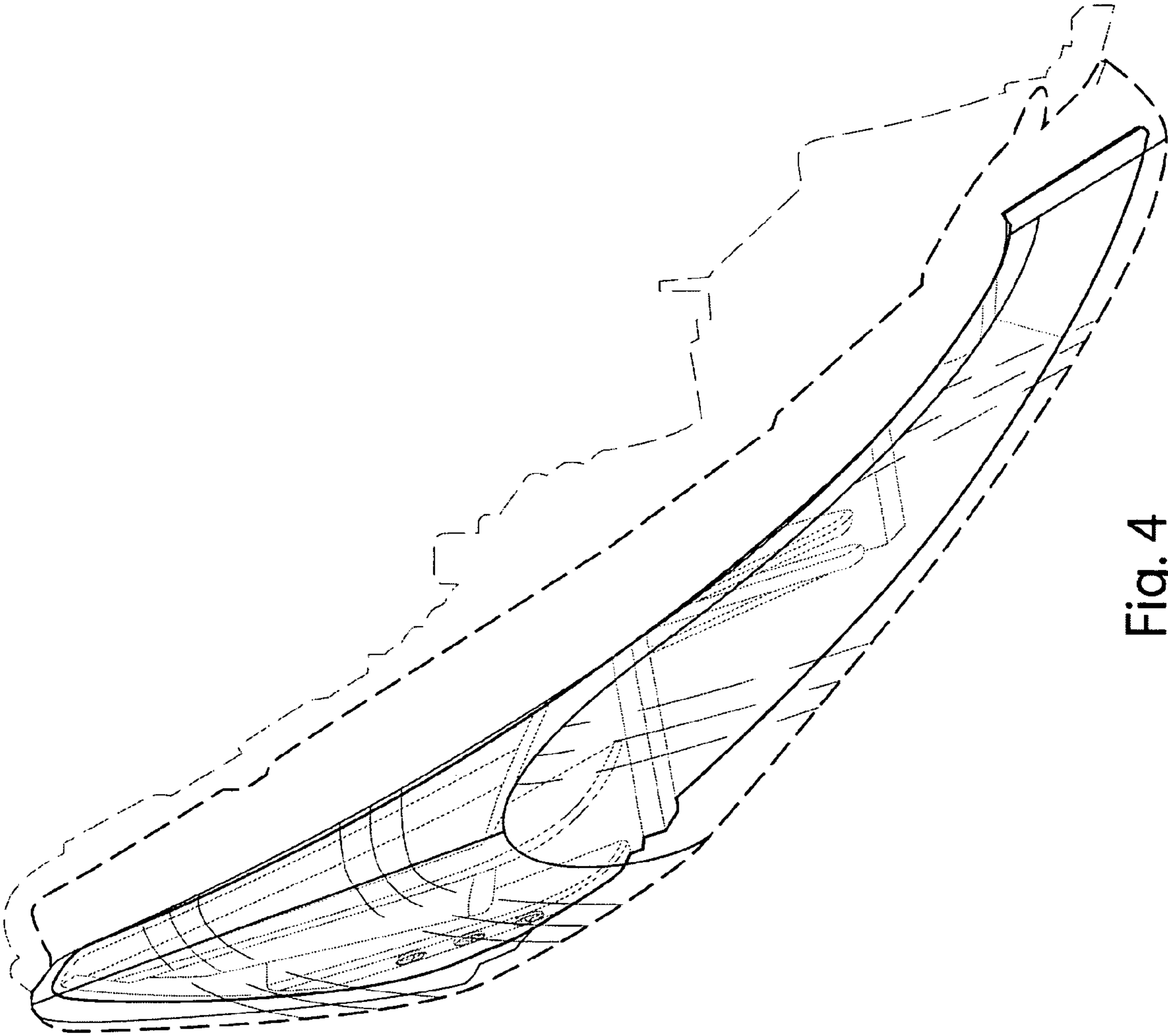


Fig. 4