



US00D588721S

(12) **United States Design Patent**  
**Cheng**

(10) **Patent No.:** **US D588,721 S**  
(45) **Date of Patent:** **\*\* Mar. 17, 2009**

(54) **BICYCLE TAIL LIGHT**

(75) Inventor: **Loewi Siu Kwong Cheng**, New Territories (CN)

(73) Assignee: **Weston Pointer Ltd.**, Yuen Long, New Territories, Hong Kong (CN)

(\*\*) Term: **14 Years**

(21) Appl. No.: **29/308,832**

(22) Filed: **Jul. 10, 2008**

(51) **LOC (9) Cl.** ..... **26-06**

(52) **U.S. Cl.** ..... **D26/28**

(58) **Field of Classification Search** ..... D26/28-36;  
362/459-468, 475-478, 485-487  
See application file for complete search history.

(56) **References Cited**

**U.S. PATENT DOCUMENTS**

D547,889 S \* 7/2007 Huang ..... D26/28

D570,012 S \* 5/2008 Huang ..... D26/28  
D577,836 S \* 9/2008 Engebrigtsen ..... D26/24

\* cited by examiner

*Primary Examiner*—Marcus A. Jackson

(74) *Attorney, Agent, or Firm*—Alix, Yale & Ristas, LLP

(57) **CLAIM**

The ornamental design for a bicycle tail light, as shown and described.

**DESCRIPTION**

FIG. 1 is a front view of a bicycle tail light showing my new design;

FIG. 2 is a rear view thereof;

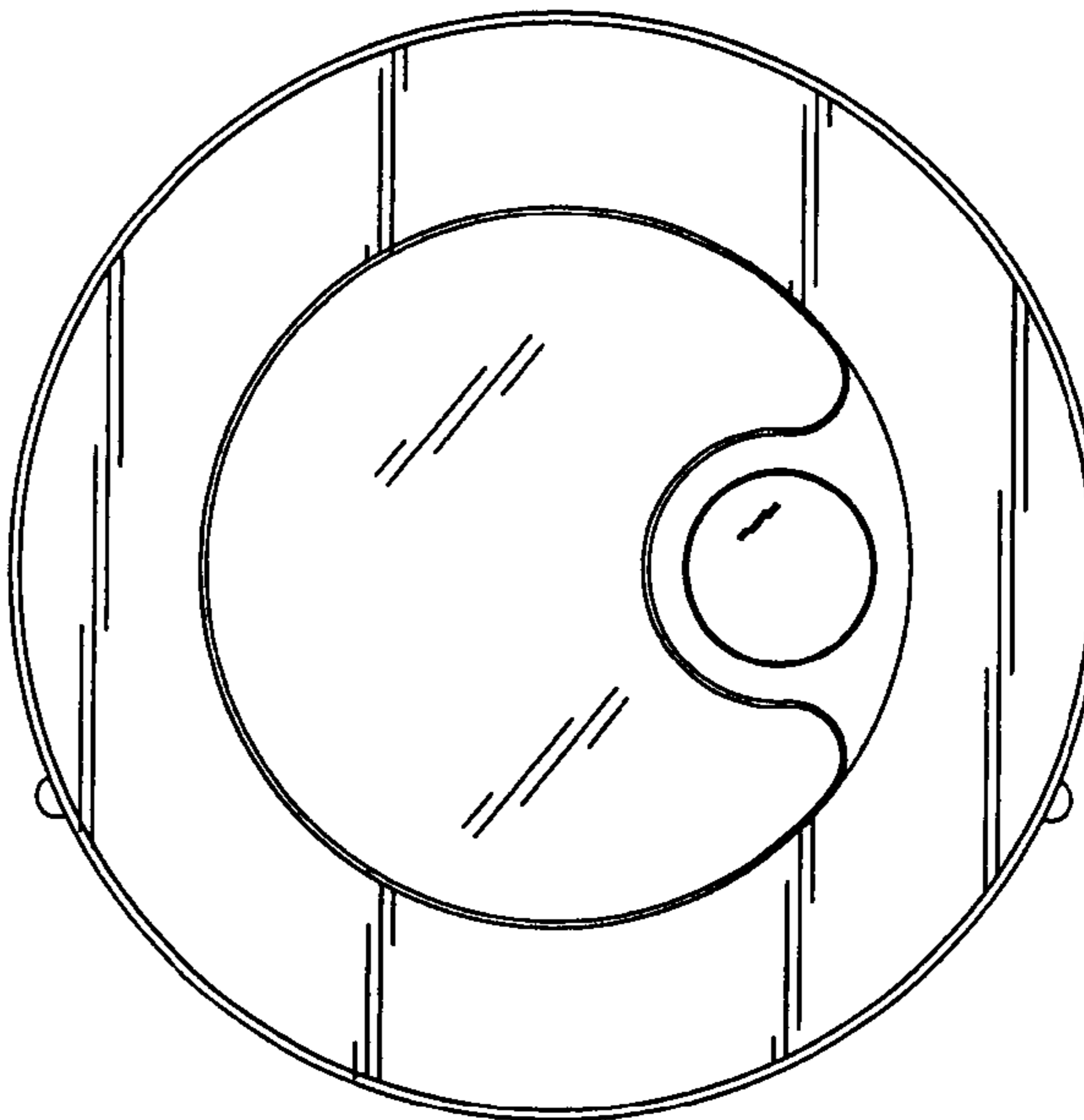
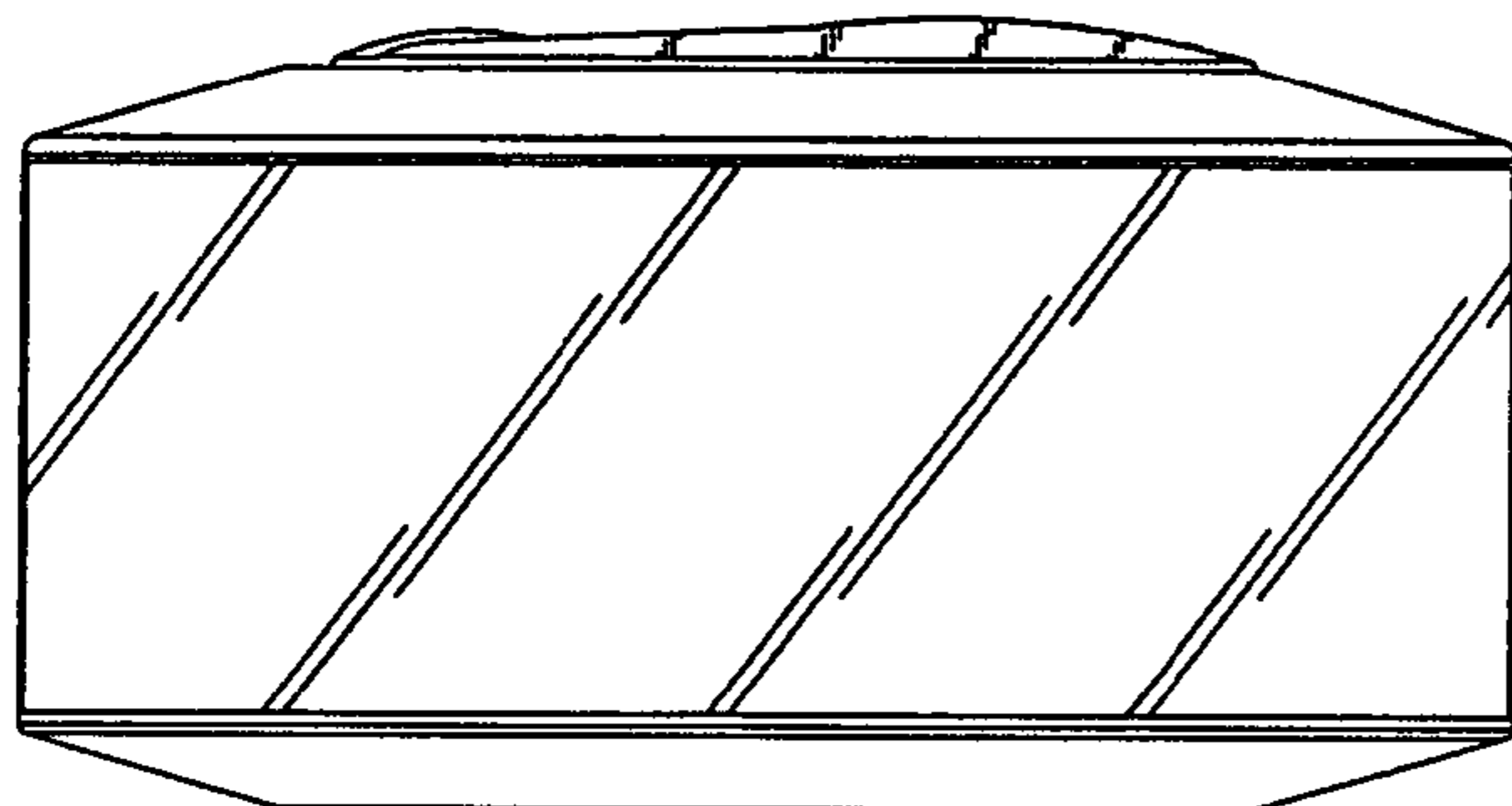
FIG. 3 is a left side view thereof;

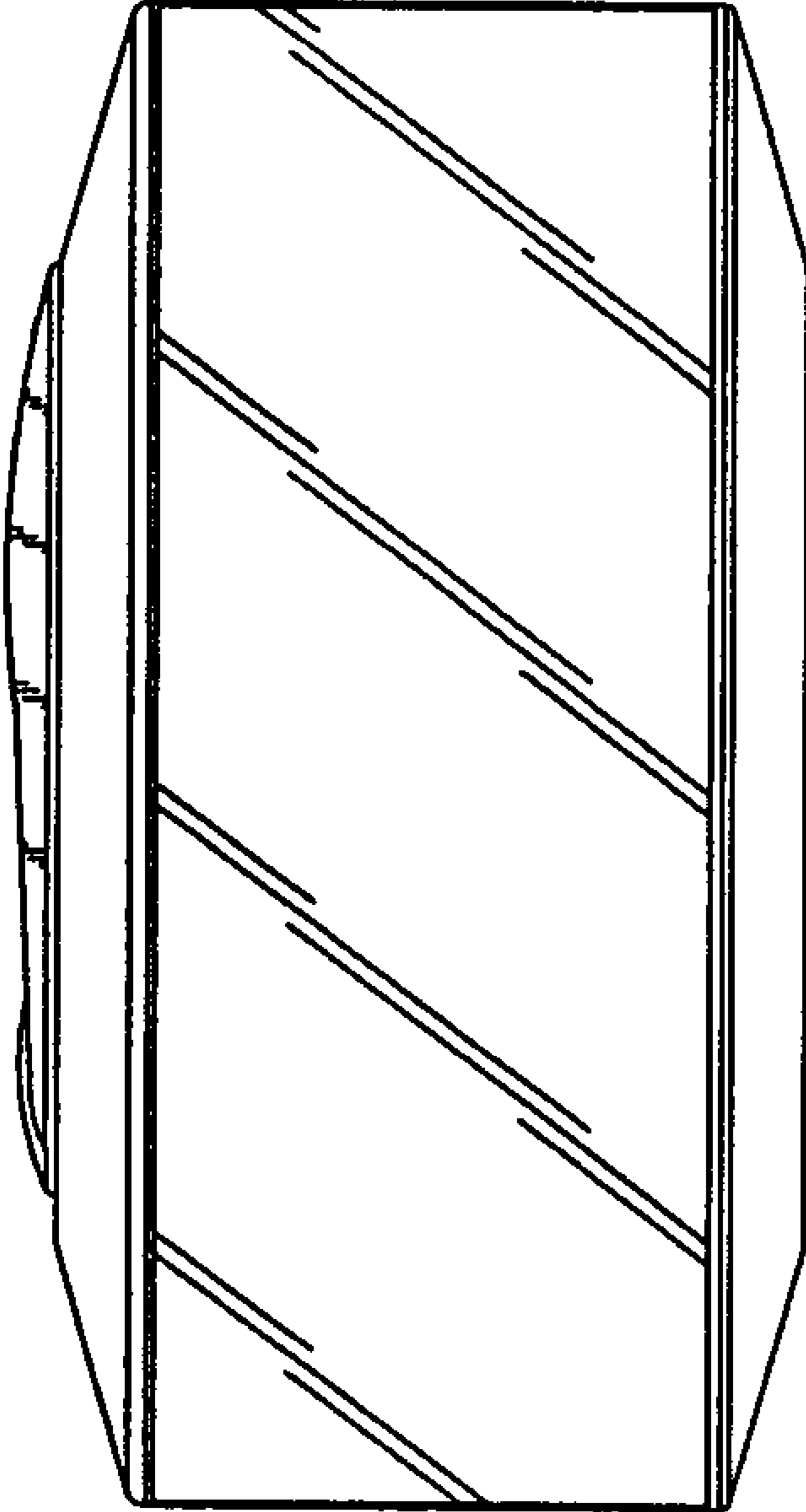
FIG. 4 is a right side view thereof;

FIG. 5 is a top plan view thereof; and,

FIG. 6 is a bottom plan front view thereof.

**1 Claim, 6 Drawing Sheets**





**Fig. 1**

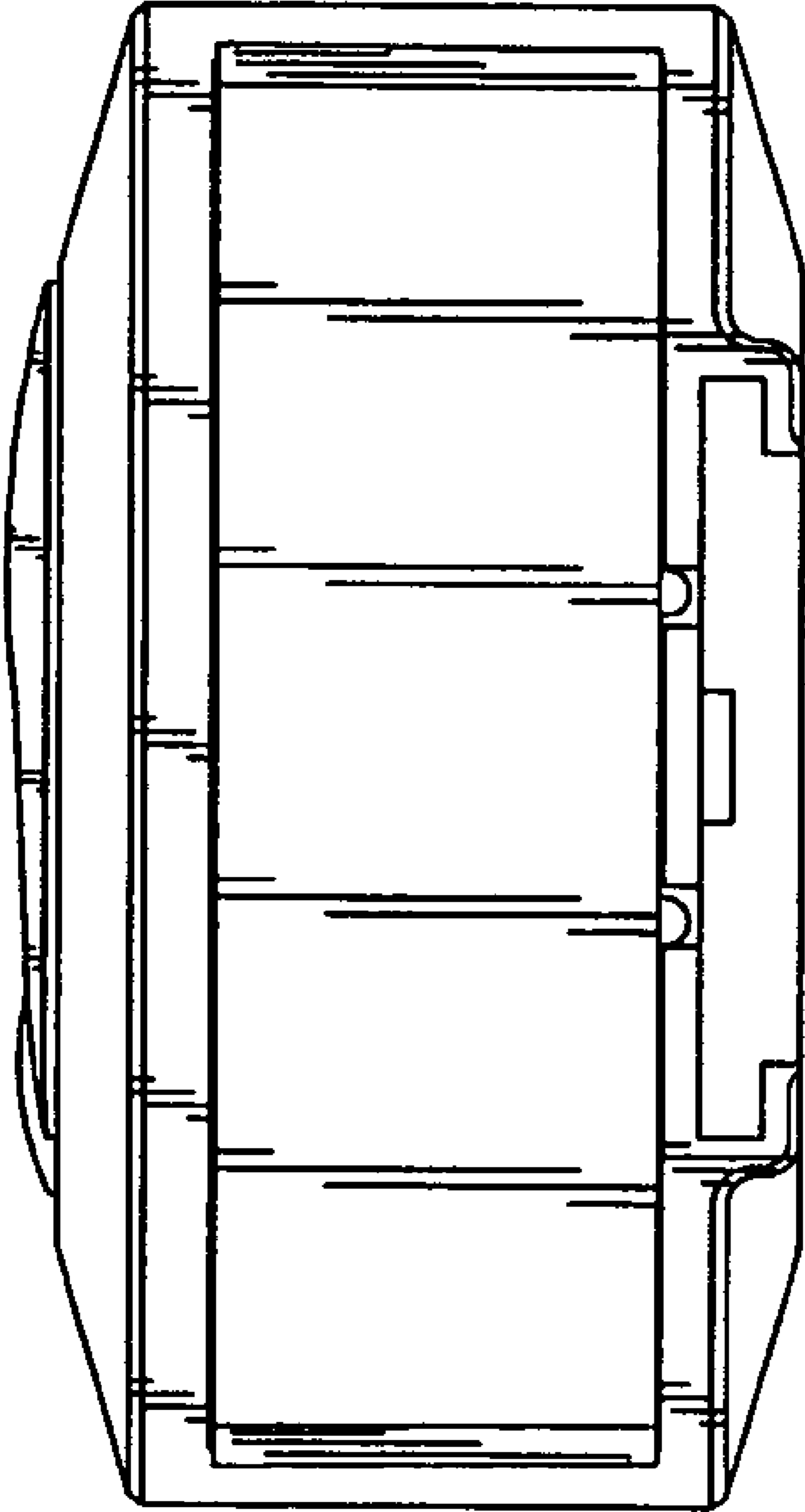
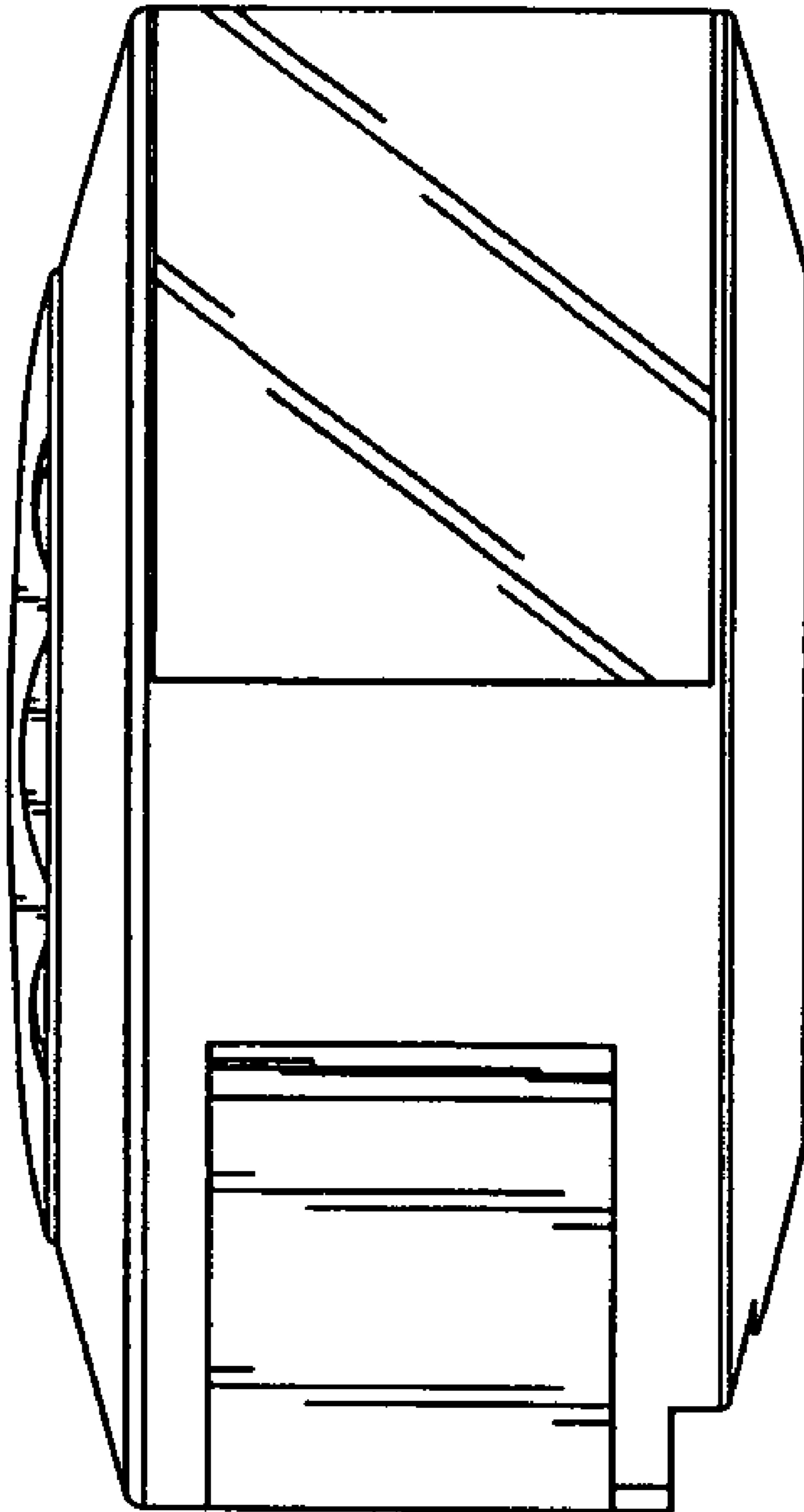
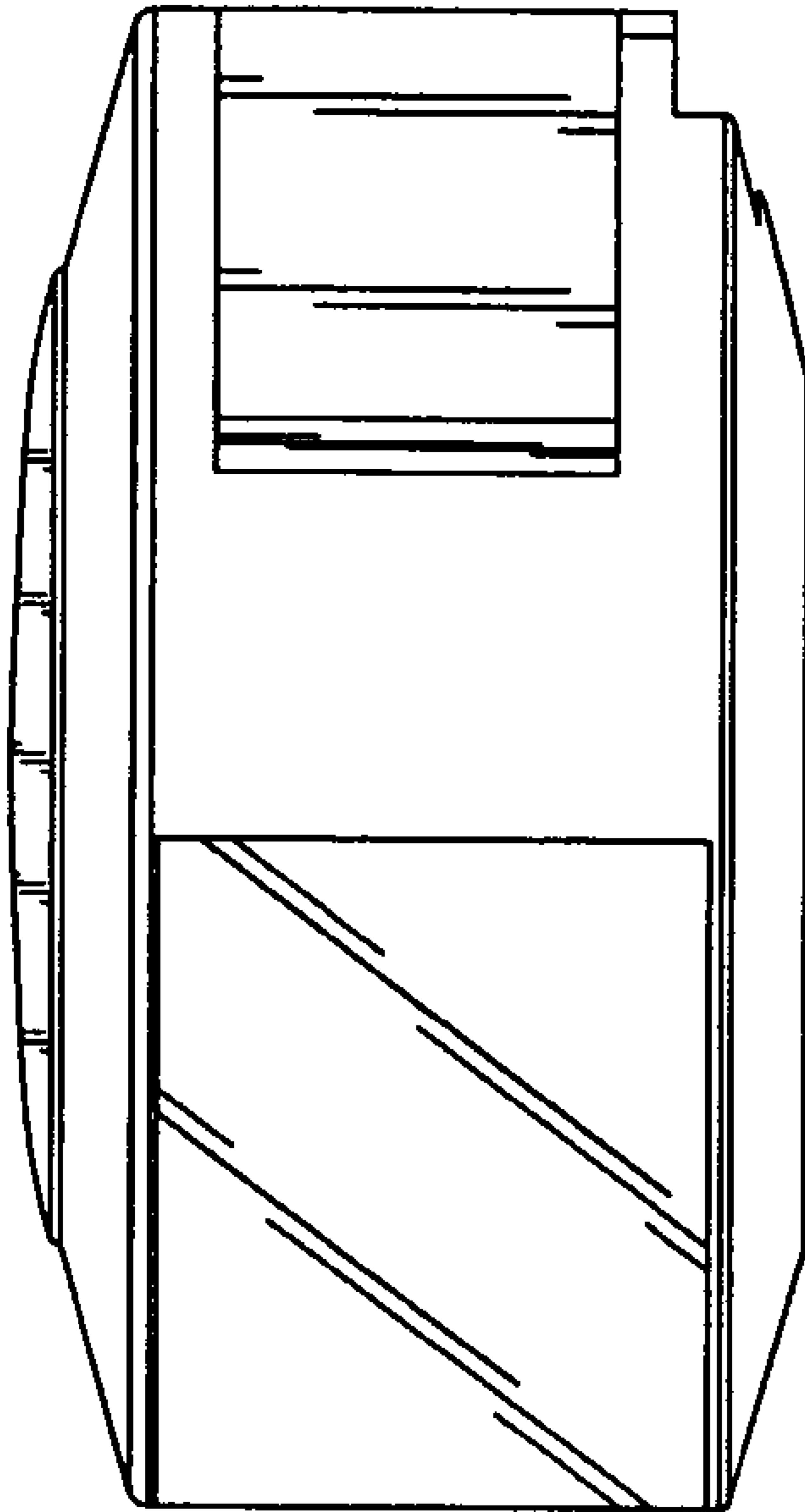


Fig. 2



**Fig. 3**



**Fig. 4**

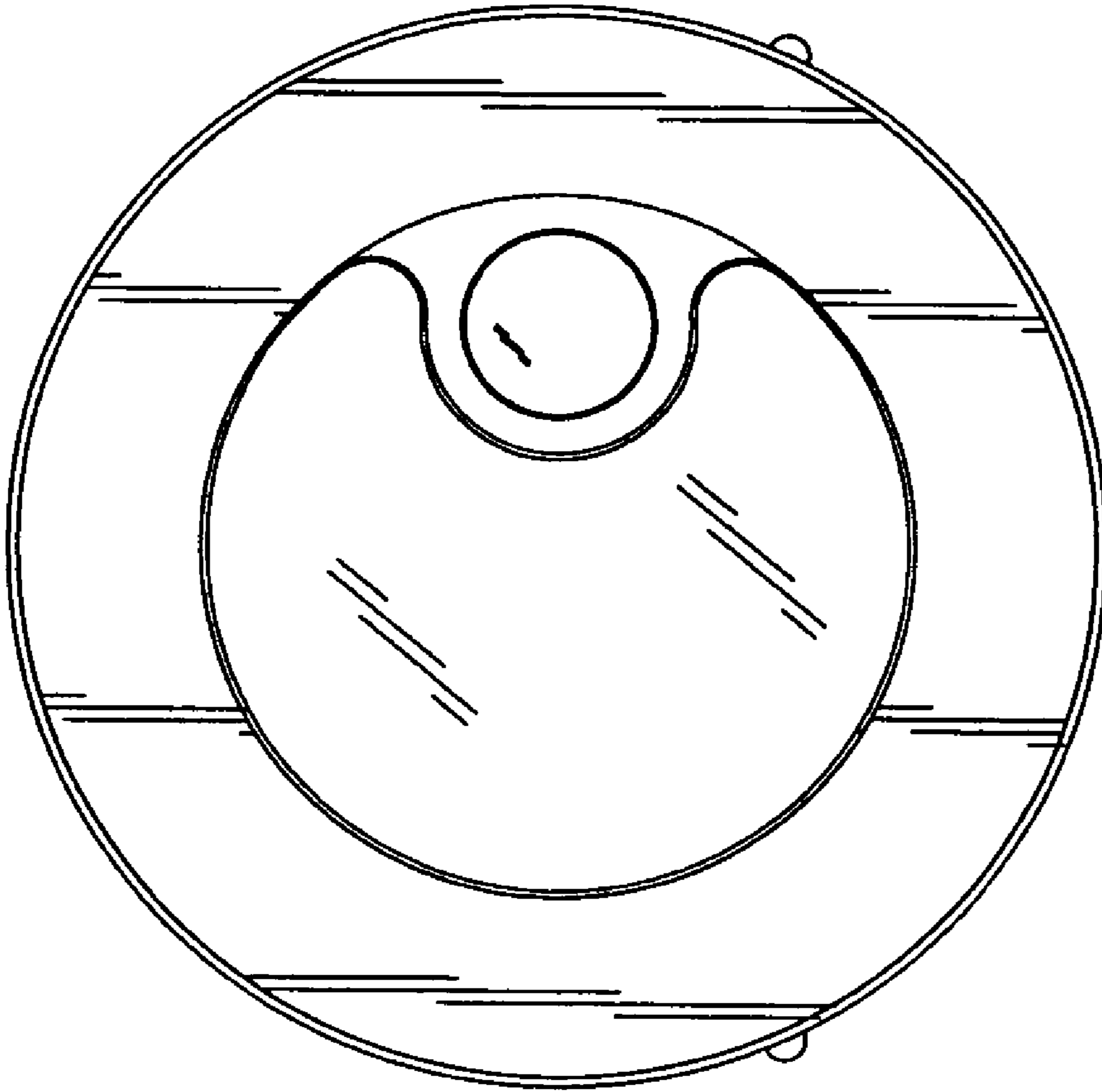


Fig. 5

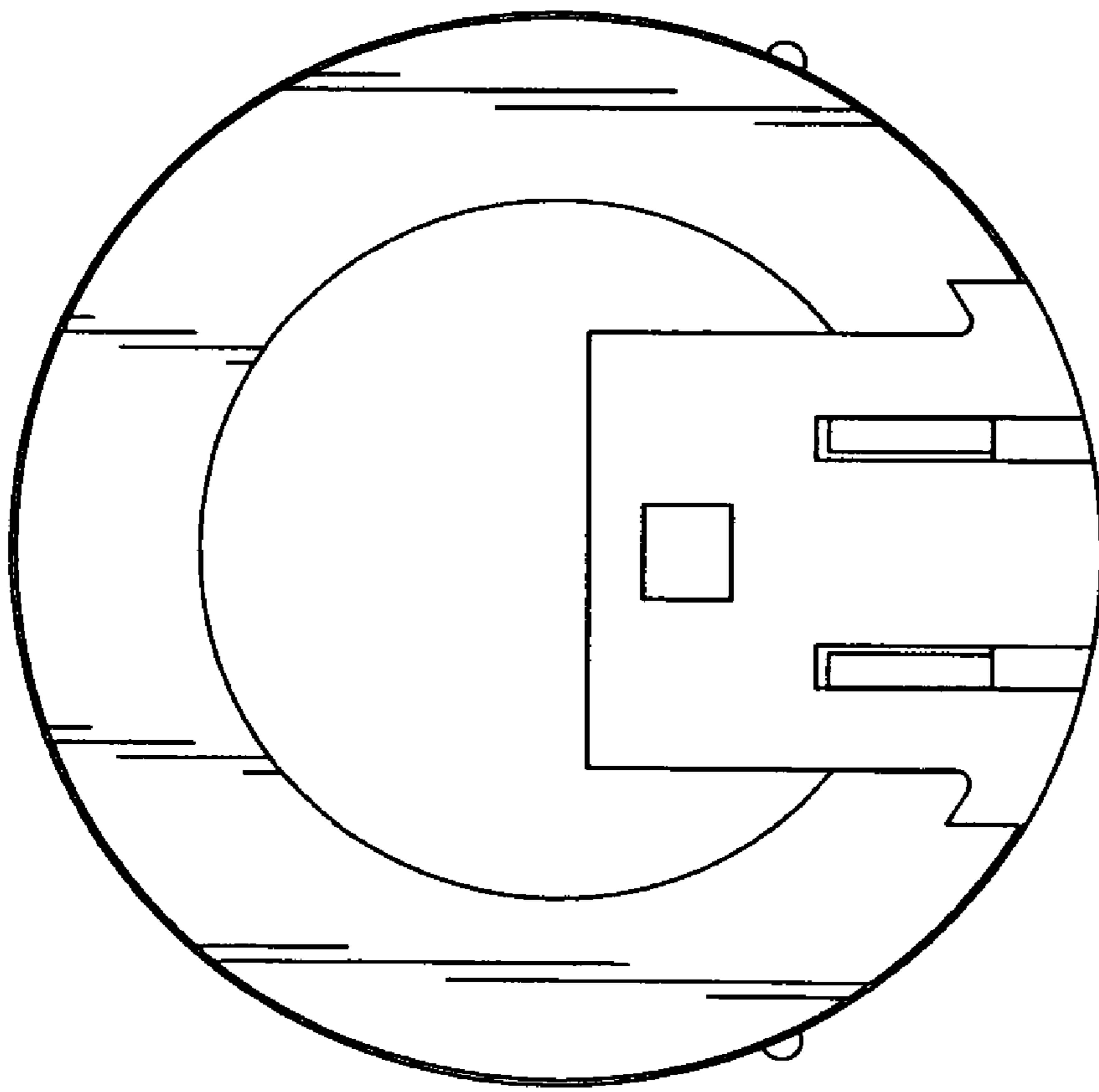


Fig. 6