



US00D588720S

(12) **United States Design Patent**
Liu

(10) **Patent No.:** **US D588,720 S**
(45) **Date of Patent:** **** Mar. 17, 2009**

(54) **CAR LIGHT**

D572,389 S * 7/2008 Budde D26/28

(75) Inventor: **Kwok Hung Liu**, Kowloon (CN)

* cited by examiner

(73) Assignee: **Smartlite Manufacturing Limited**,
Kowloon, Hong Kong (CN)

Primary Examiner—Marcus A. Jackson

(74) *Attorney, Agent, or Firm*—Alix, Yale & Ristas, LLP

(**) Term: **14 Years**

(57) **CLAIM**

(21) Appl. No.: **29/308,697**

The ornamental design for a car light, as shown and described.

(22) Filed: **Jul. 1, 2008**

(51) **LOC (9) Cl.** **26-06**

(52) **U.S. Cl.** **D26/28**

(58) **Field of Classification Search** D26/28-36;
362/459-468, 475-478, 485-487
See application file for complete search history.

DESCRIPTION

FIG. 1 is a front view of a car light showing my new design;

FIG. 2 is a rear view thereof;

FIG. 3 is a left side view thereof;

FIG. 4 is a right side view thereof;

FIG. 5 is a top plan view thereof; and,

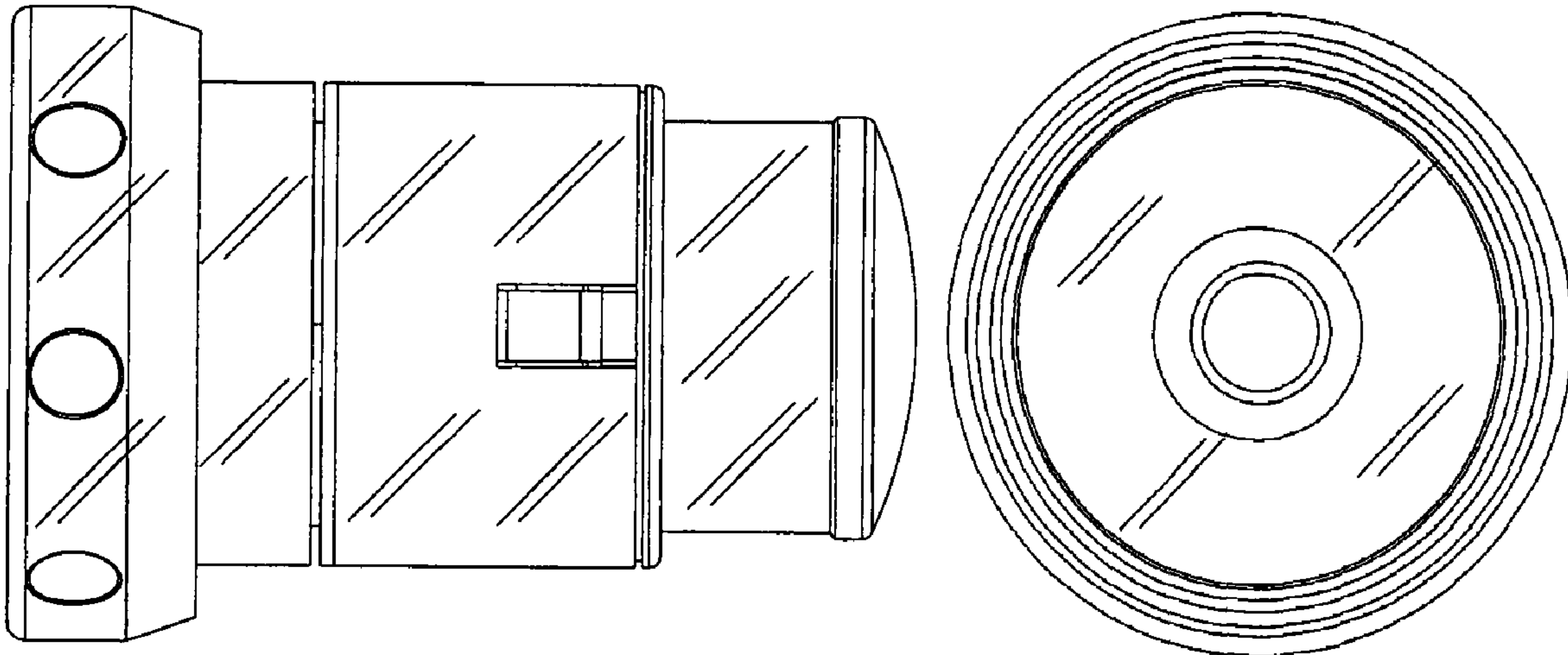
FIG. 6 is a bottom plan view thereof.

(56) **References Cited**

U.S. PATENT DOCUMENTS

D539,451 S * 3/2007 Opolka D26/28
D570,009 S * 5/2008 Kani et al. D26/28

1 Claim, 3 Drawing Sheets



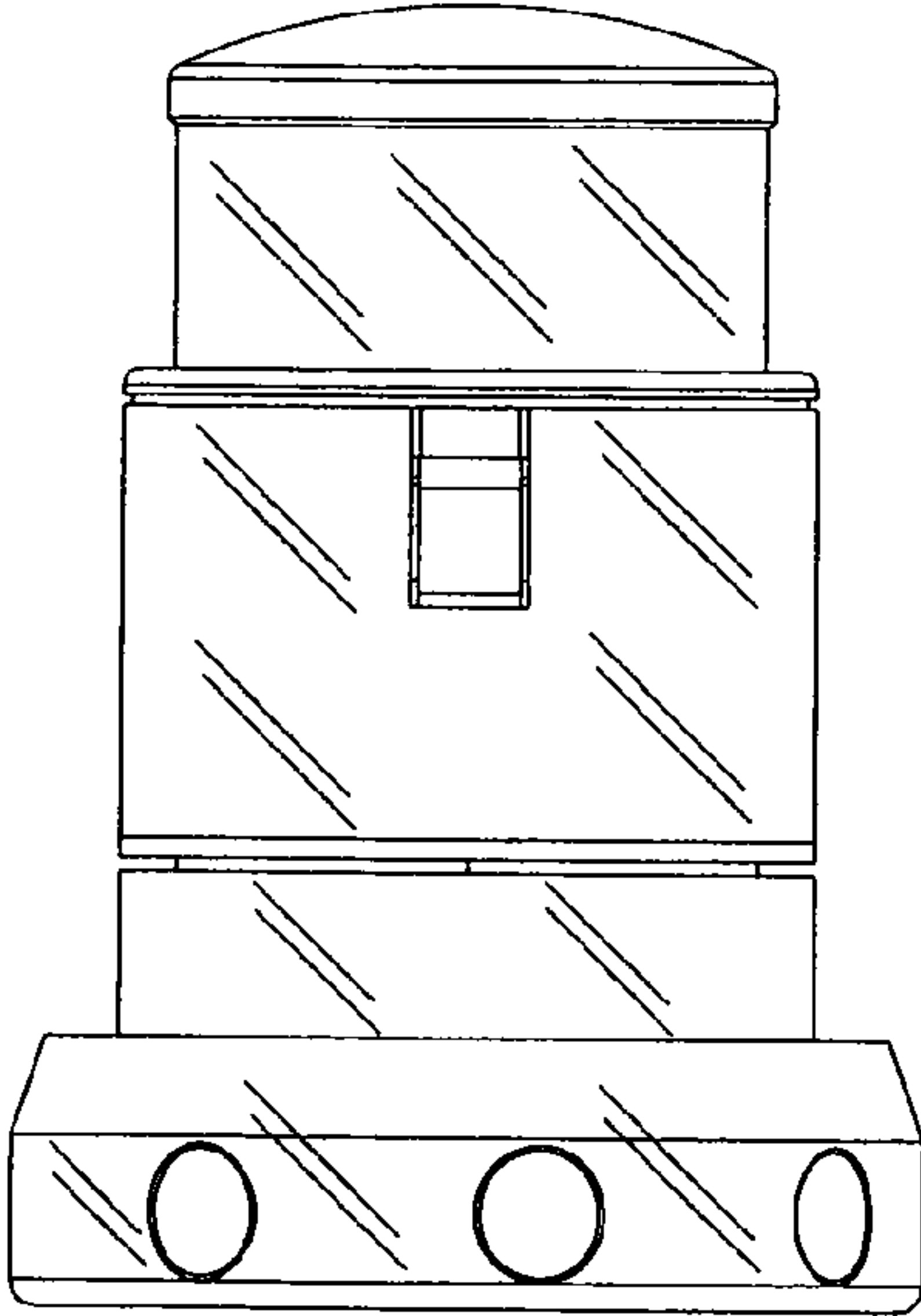


Fig. 1

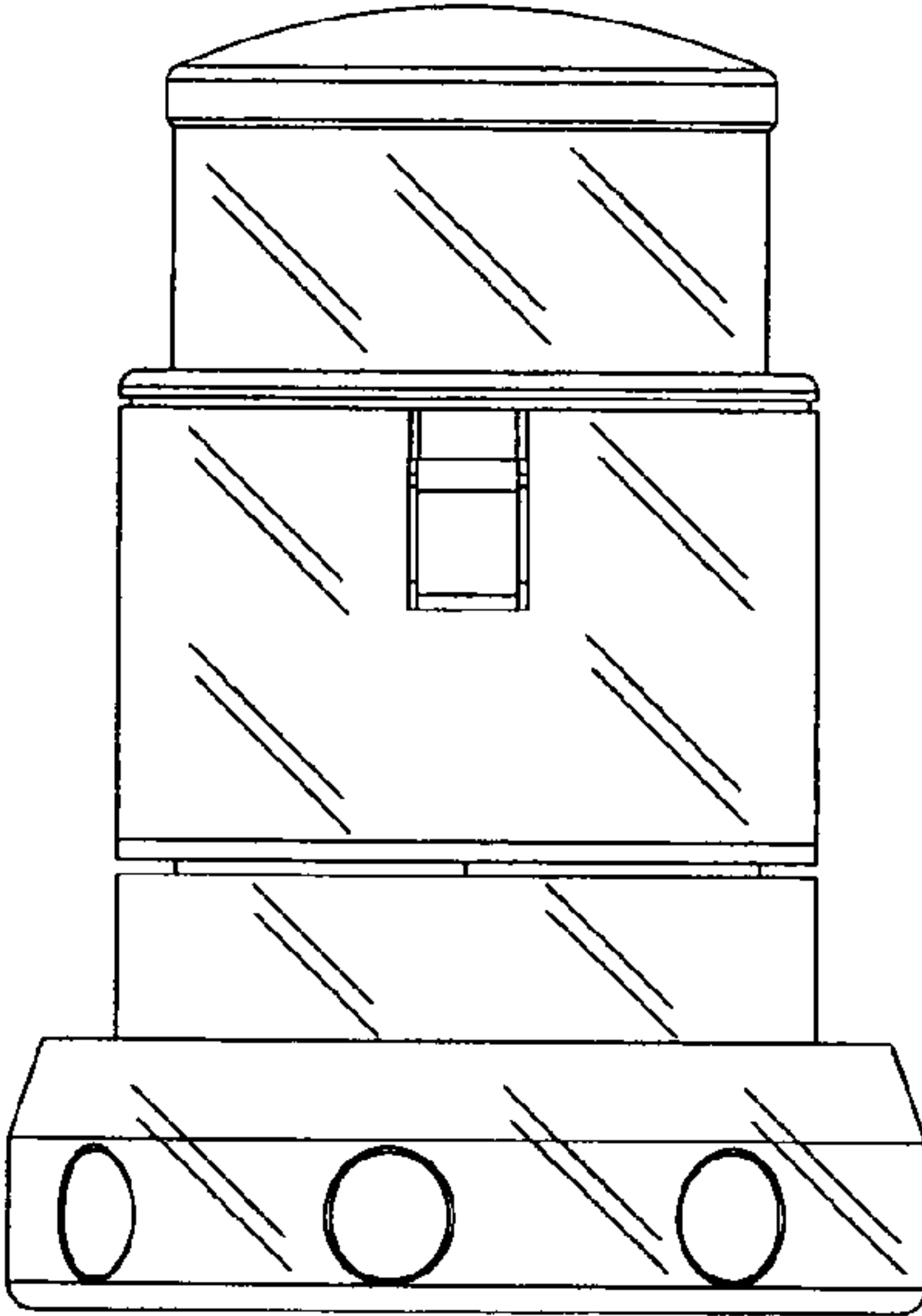


Fig. 2

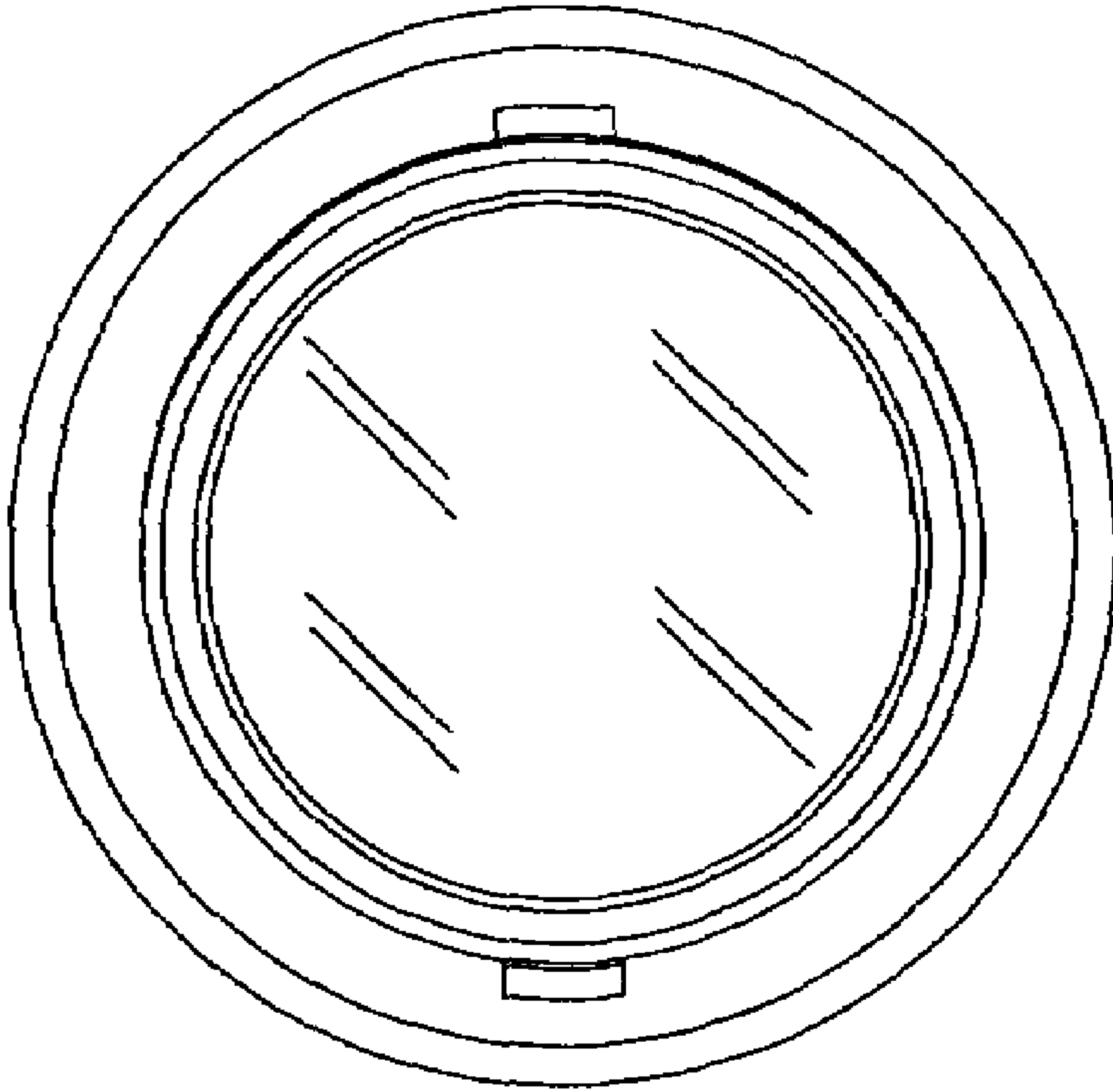


Fig. 3

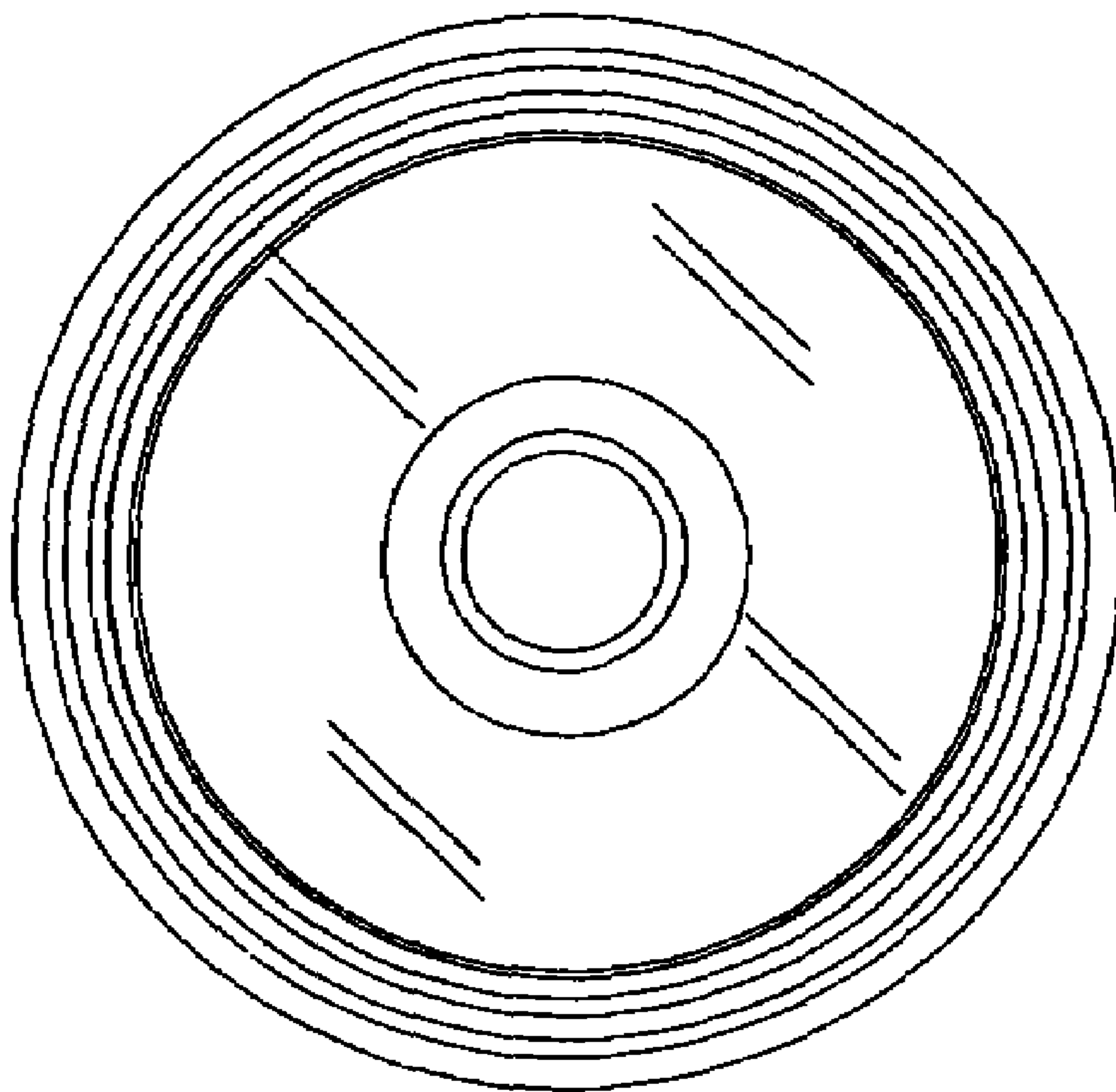


Fig. 4

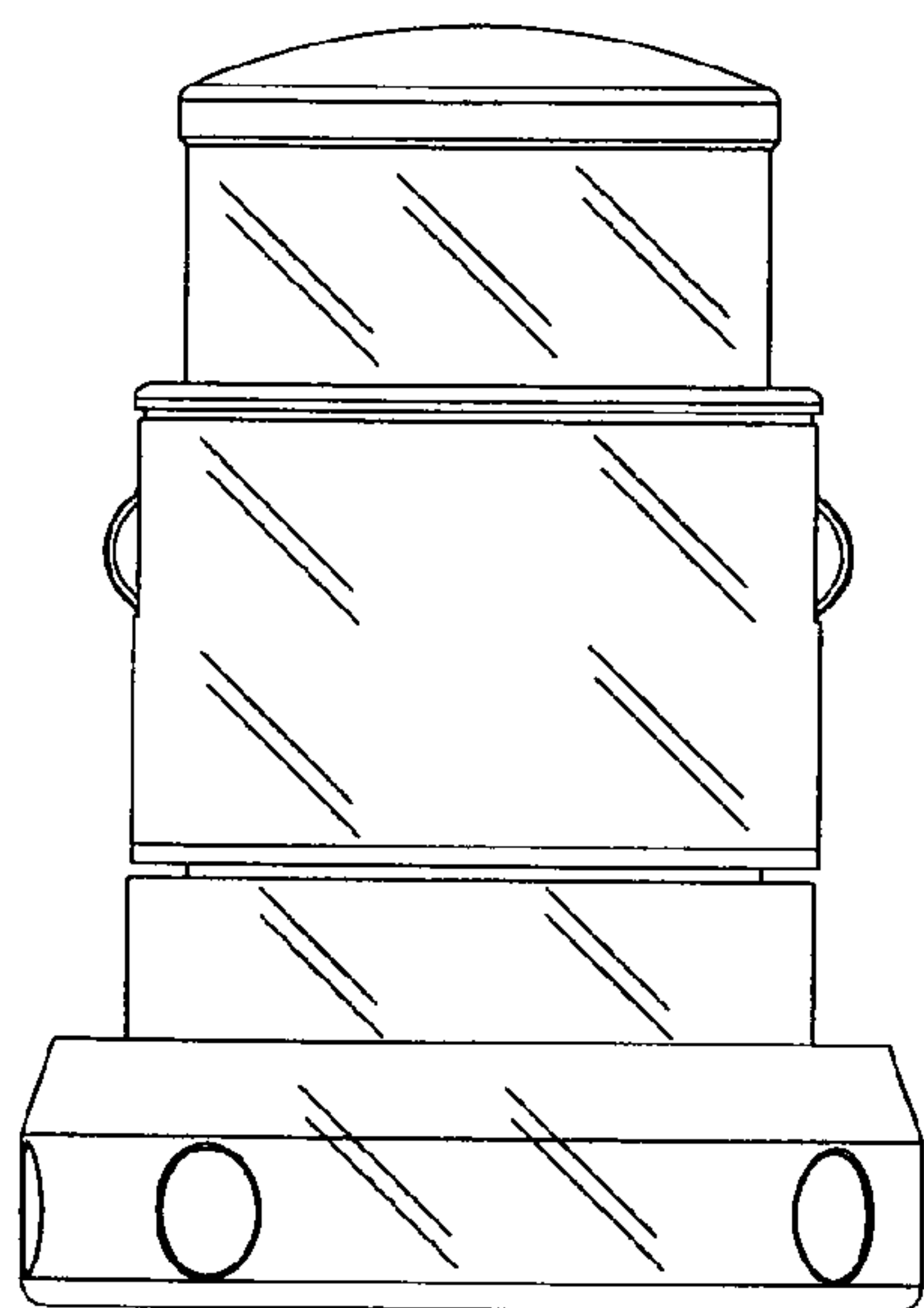


Fig. 5

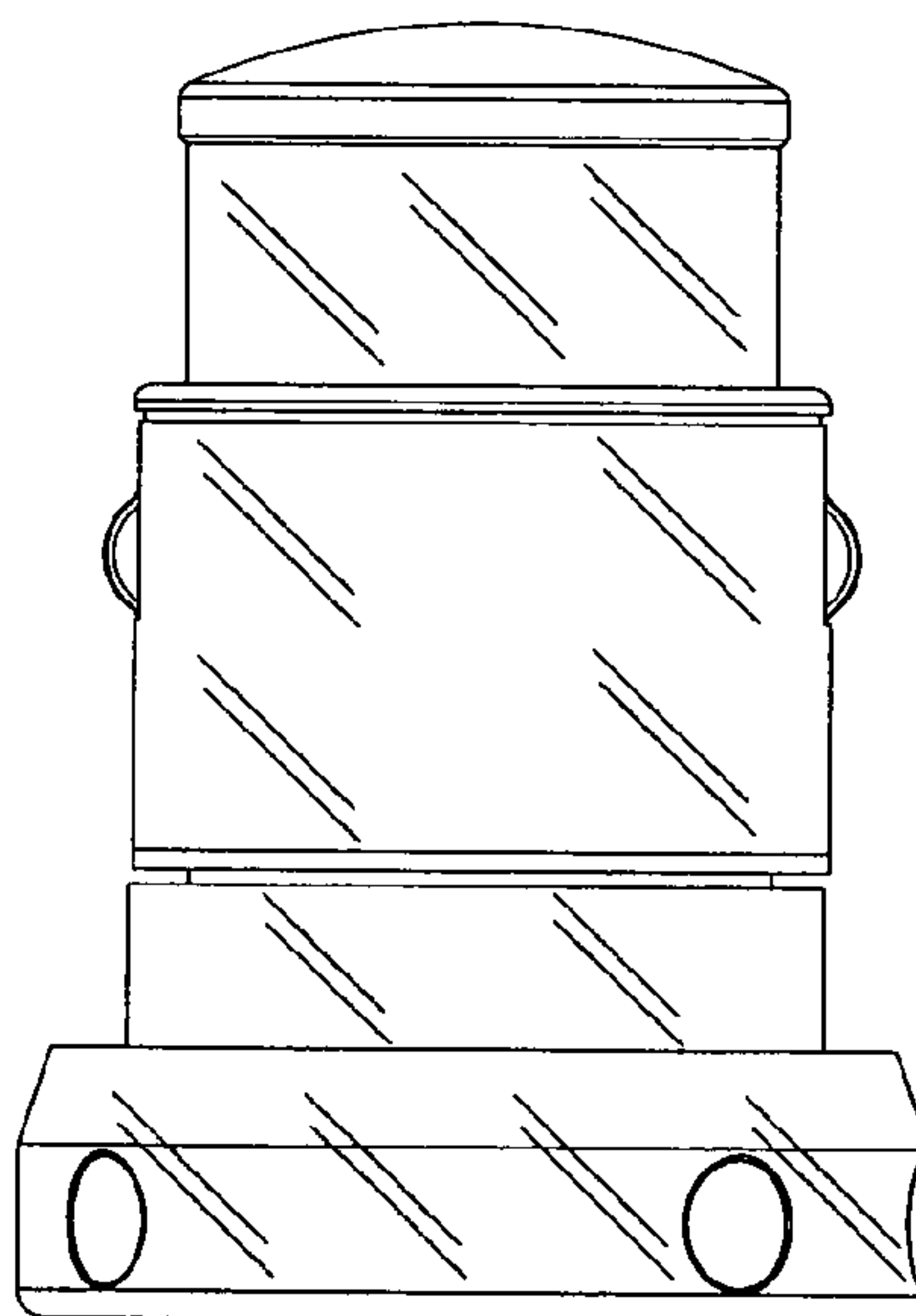


Fig. 6