



US00D588718S

(12) **United States Design Patent**  
**Spearman-Oxx et al.**

(10) **Patent No.:** **US D588,718 S**  
(45) **Date of Patent:** **\*\* Mar. 17, 2009**

- (54) **VEHICLE HEADLIGHT**
- (75) Inventors: **Simon Spearman-Oxx**, Kent (GB);  
**Ehab Kaoud**, Canton, MI (US)
- (73) Assignee: **Ford Global Technologies, LLC**,  
Dearborn, MI (US)
- (\*\*) Term: **14 Years**
- (21) Appl. No.: **29/283,850**
- (22) Filed: **Aug. 24, 2007**

- D517,228 S \* 3/2006 Pfeiffer et al. .... D26/28
- D526,257 S \* 8/2006 Konaka ..... D12/184
- D542,200 S \* 5/2007 Levy ..... D12/196
- D569,020 S \* 5/2008 Schiavone et al. .... D26/28
- D571,025 S \* 6/2008 Golden et al. .... D26/28

\* cited by examiner

*Primary Examiner*—Melody N Brown

(74) *Attorney, Agent, or Firm*—Damian Porcari

(57) **CLAIM**

The ornamental design for a vehicle headlight, as described and shown.

**Related U.S. Application Data**

- (62) Division of application No. 29/246,054, filed on Jan. 13, 2006, now Pat. No. Des. 564,423.
- (51) **LOC (9) Cl.** ..... **26-06**
- (52) **U.S. Cl.** ..... **D26/28**
- (58) **Field of Classification Search** ..... D12/184,  
D12/196, 90–92, 86; 296/181.1; D26/28–36;  
362/459–468, 475–478, 485–487  
See application file for complete search history.

**DESCRIPTION**

Vehicle headlight intended for use on a motor vehicle as an original equipment component and as a replacement part, of which the following is a specification, reference being had to the drawings, forming a part hereof. Shading is used to illustrate the curvature of the part and not color.

FIG. 1 is a perspective view of a right vehicle headlight (the left vehicle headlight being a mirror of the right vehicle headlight and is not shown);

FIG. 2 is a front elevational view of the vehicle headlight;

FIG. 3 is a right side elevational view of the vehicle headlight;

FIG. 4 is a left side elevational view of the vehicle headlight;

FIG. 5 is a top plan view of the vehicle headlight; and,

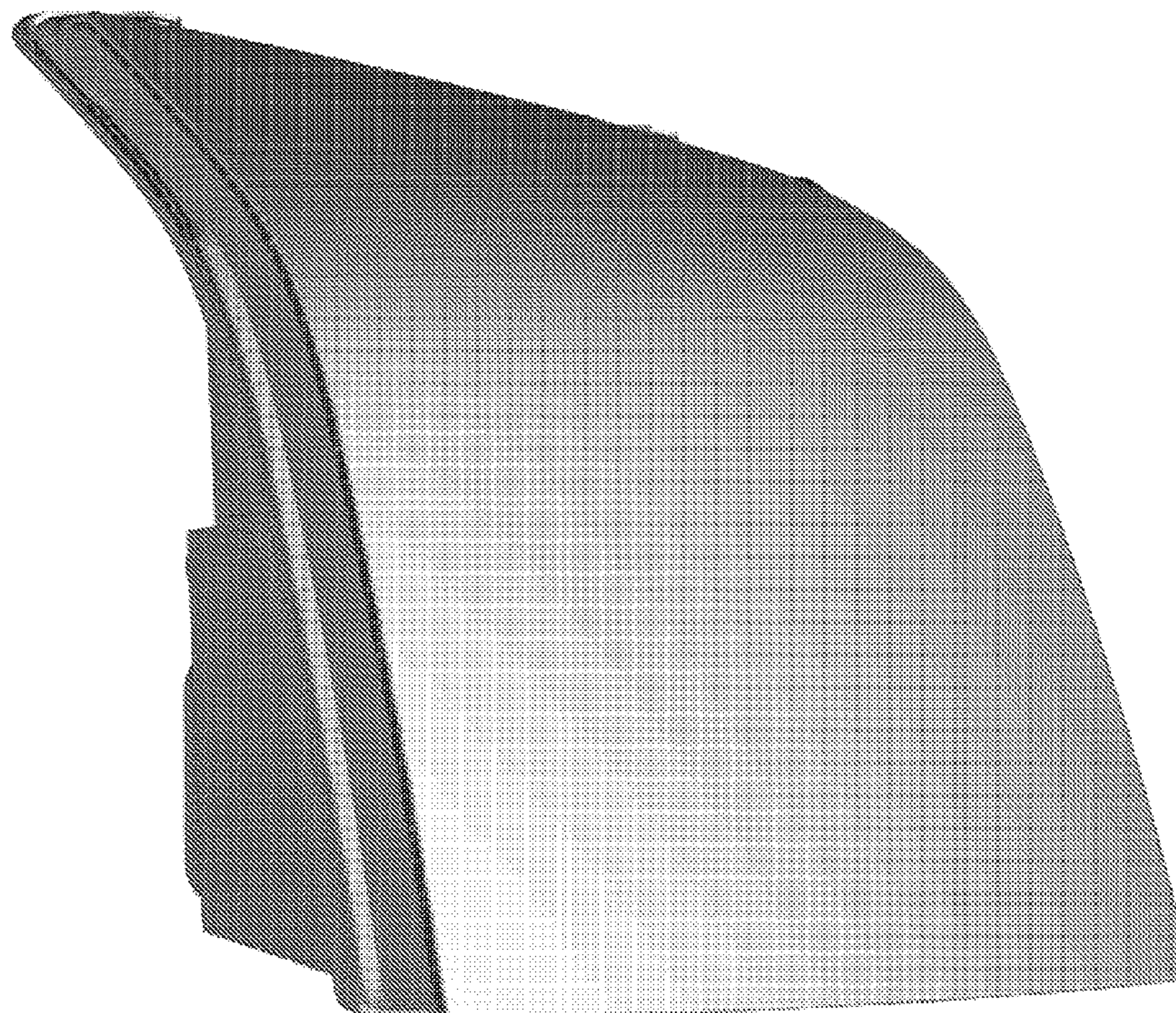
FIG. 6 is a bottom plan view of the vehicle headlight.

(56) **References Cited**

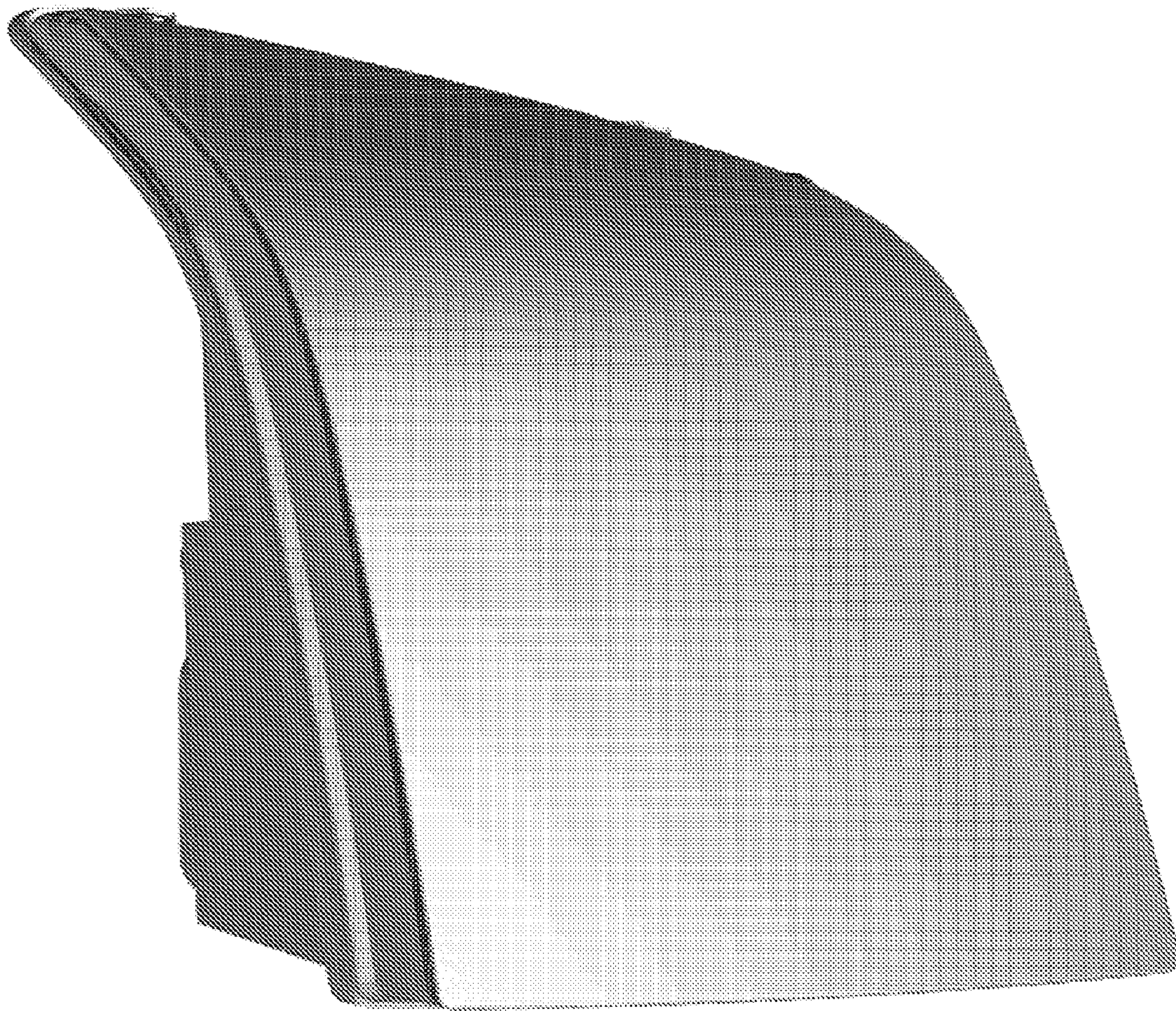
**U.S. PATENT DOCUMENTS**

- D472,987 S \* 4/2003 Warming ..... D26/28
- D476,756 S \* 7/2003 Weber et al. .... D26/28
- D507,363 S \* 7/2005 Lai ..... D26/28
- D507,514 S \* 7/2005 Nagura et al. .... D12/184
- D508,746 S \* 8/2005 Lai ..... D26/28

**1 Claim, 6 Drawing Sheets**

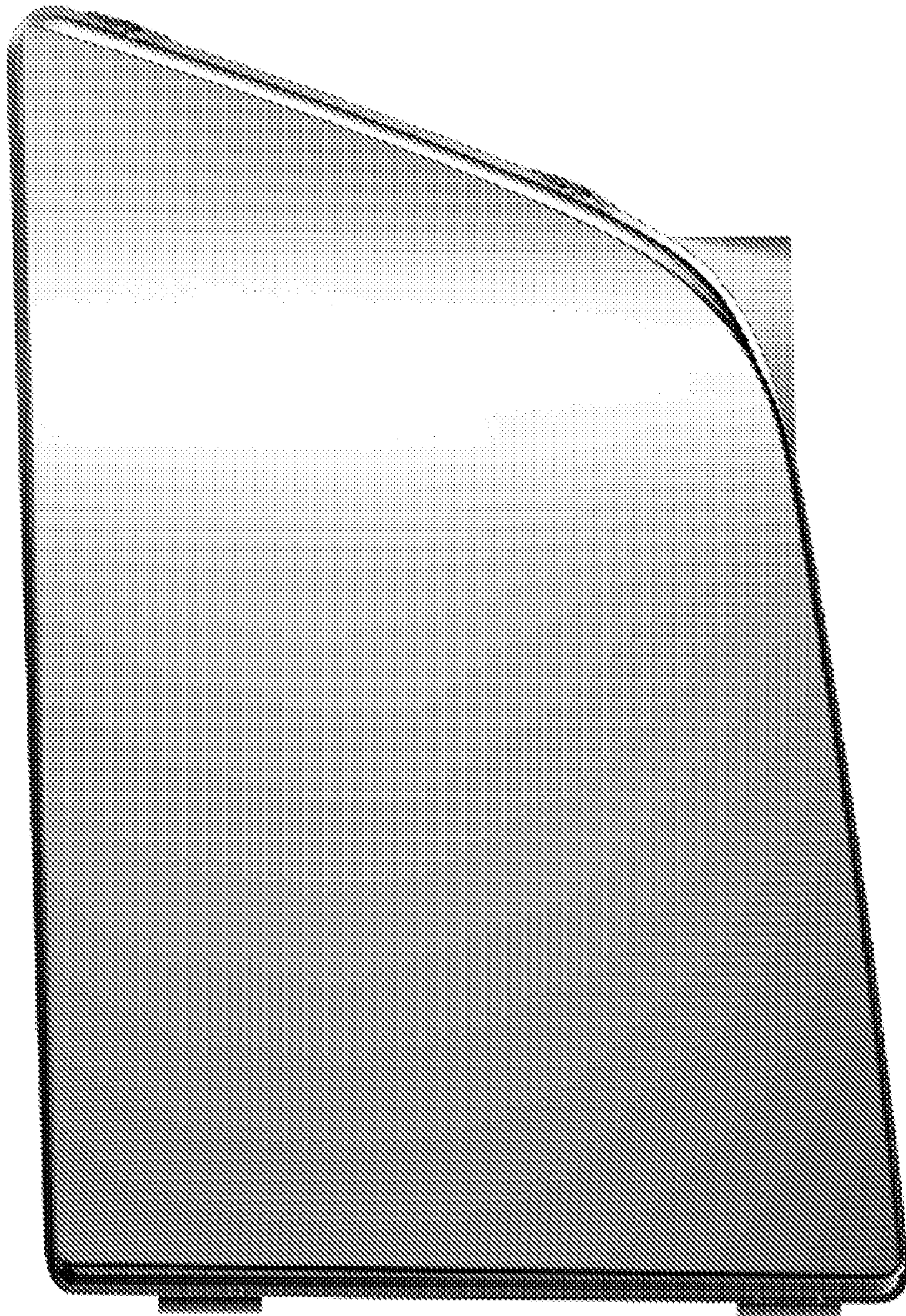






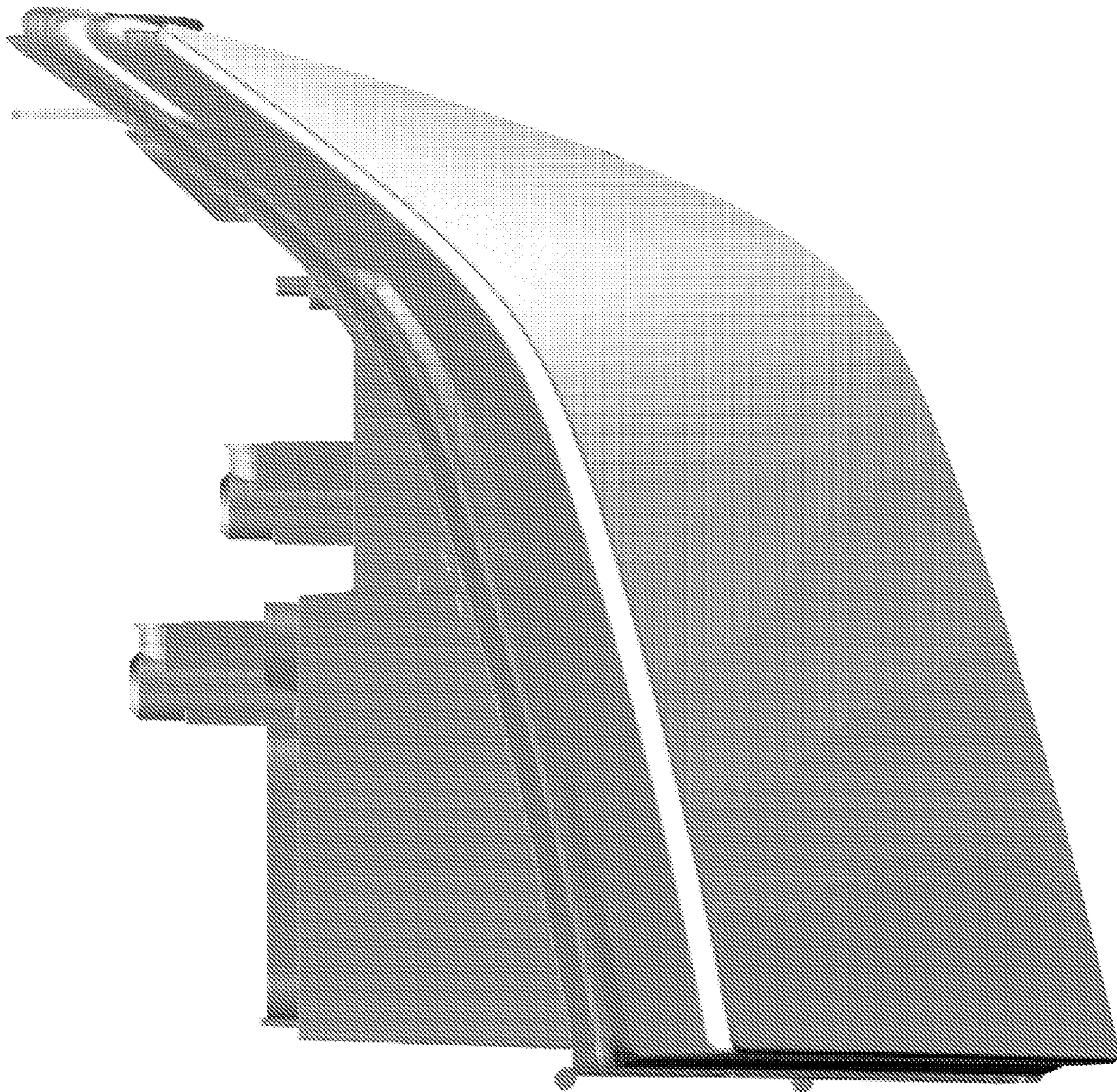
*Figure 1*





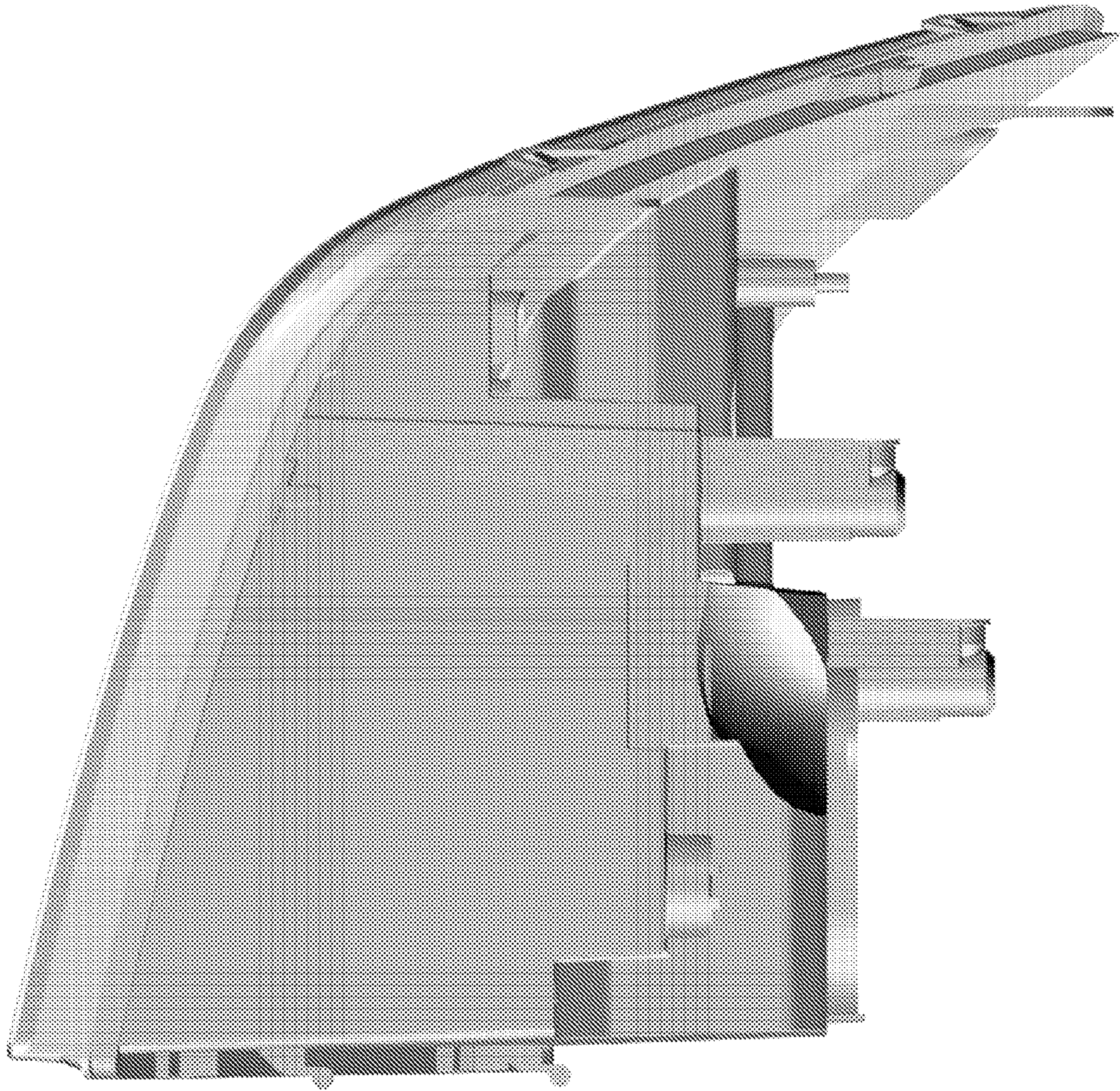
*Figure 2*





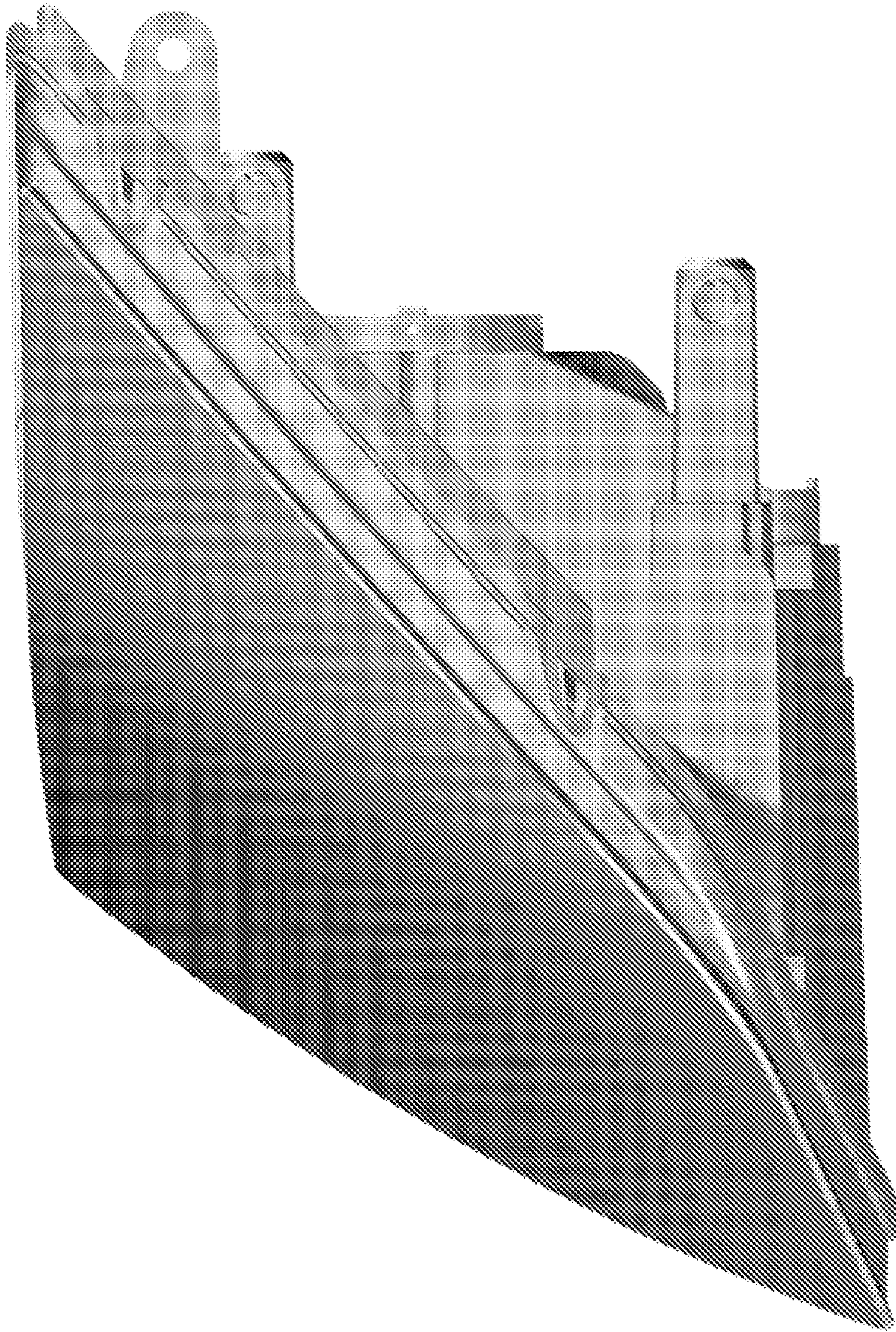
*Figure 3*





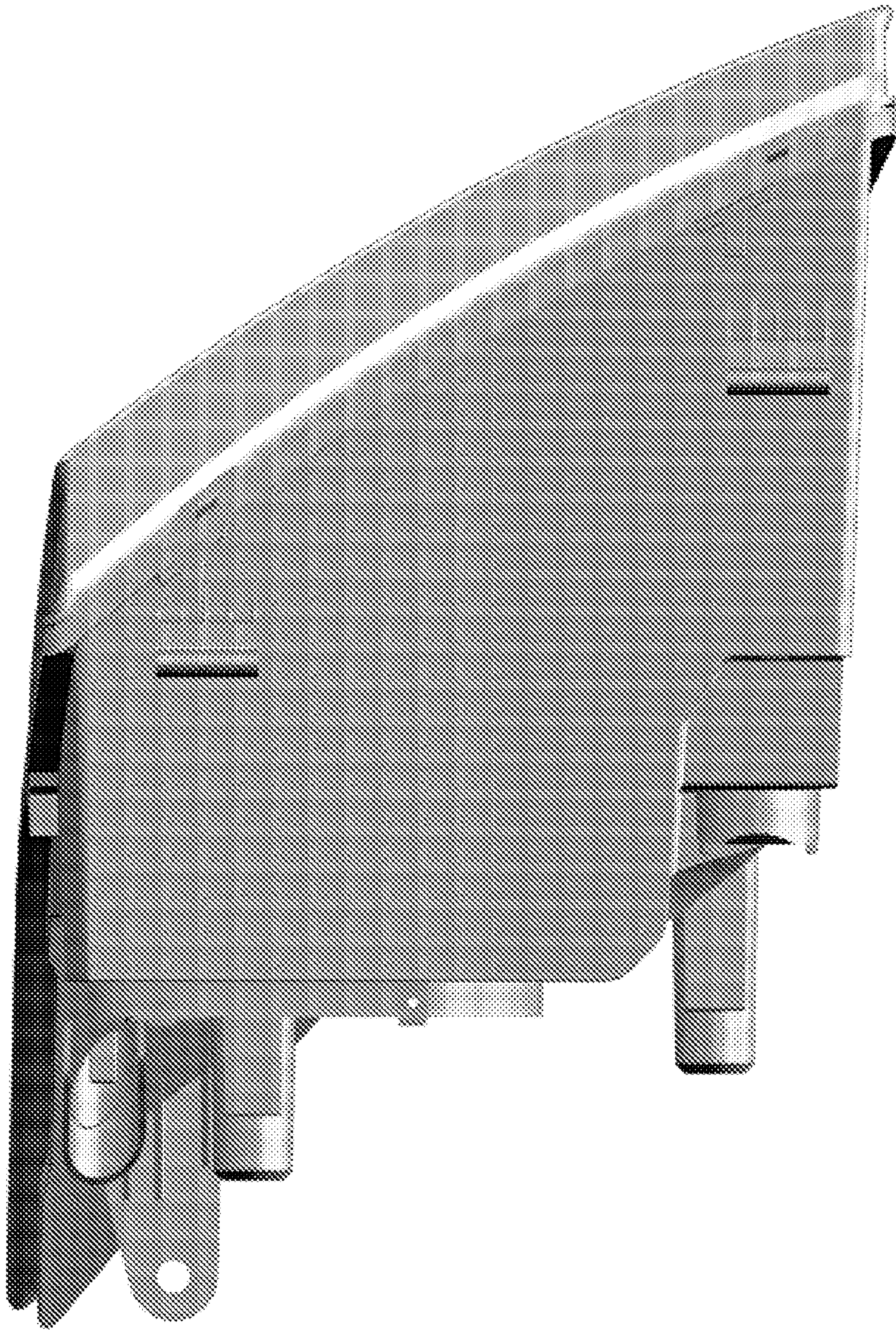
*Figure 4*





*Figure 5*





*Figure 6*