



US00D588715S

(12) **United States Design Patent**
Funk

(10) **Patent No.:** **US D588,715 S**
(45) **Date of Patent:** **** Mar. 17, 2009**

(54) **SHELTER FRAME**

DESCRIPTION

(76) Inventor: **Otis D. Funk**, 300 Tramell Rd.,
Sherwood, AR (US) 72124

(**) Term: **14 Years**

(21) Appl. No.: **29/288,224**

(22) Filed: **Jun. 5, 2007**

(51) **LOC (9) Cl.** **25-01**

(52) **U.S. Cl.** **D25/121; D25/61**

(58) **Field of Classification Search** **D25/121,**
D25/61; 135/124, 141

See application file for complete search history.

(56) **References Cited**

U.S. PATENT DOCUMENTS

5,660,002 A * 8/1997 Lashinger 52/63

D430,306 S * 8/2000 Goldwitz D25/61

6,289,909 B1 * 9/2001 Wood 135/124

D478,998 S * 8/2003 Funk D25/61

* cited by examiner

Primary Examiner—Doris Clark

(57) **CLAIM**

The ornamental design for a shelter frame, as shown and described.

FIG. 1 is a isometric view of my new shelter frame showing the new design;

FIG. 2 is a enlarged left front bottom corner isometric partial view of FIG. 1, the opposite end being a mirror image;

FIG. 3 is a enlarged right rear bottom corner isometric partial view of FIG. 1, the opposite end being a mirror image;

FIG. 4 is a enlarged bottom midsection isometric partial view of FIG. 1, the opposite side being a mirror image;

FIG. 5 is a enlarged right rear corner isometric partial view of FIG. 1, the opposite side being a mirror image;

FIG. 6 is a enlarged partial isometric view of the apex of the rear frame member of FIG. 1, the opposite front end frame member being a mirror image;

FIG. 7 is a enlarged front elevation view of FIG. 1, the opposite end being a mirror image;

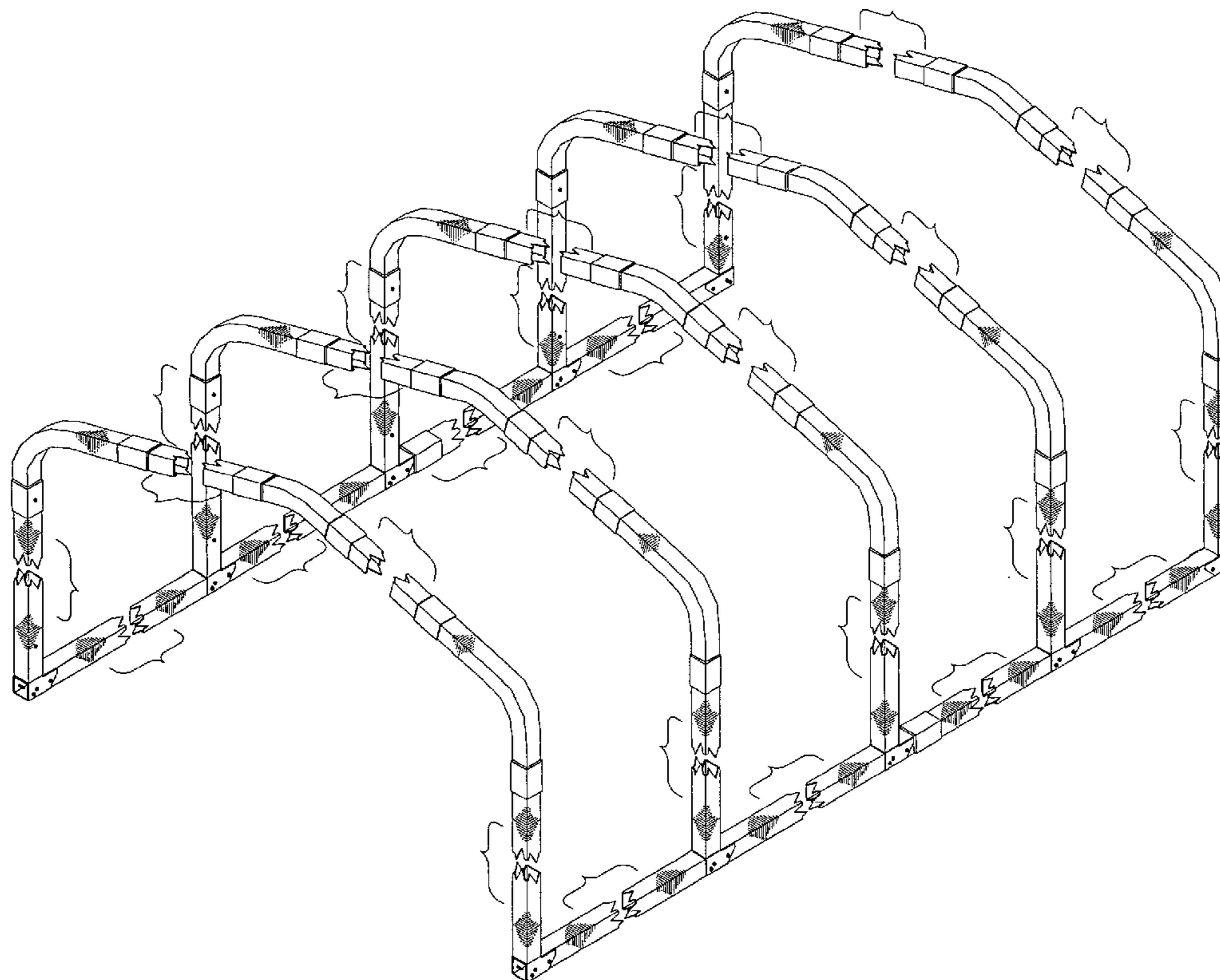
FIG. 8 is a enlarged right side elevation view of FIG. 1, the opposite side being a mirror image;

FIG. 9 is a enlarged top plan view of FIG. 1; and,

FIG. 10 is a enlarged bottom plan view of FIG. 1.

The portions that would indicate height, width, and length relationships in FIGS. 1–10 are shown fragmented to show indeterminateness in height, width, and length.

1 Claim, 10 Drawing Sheets



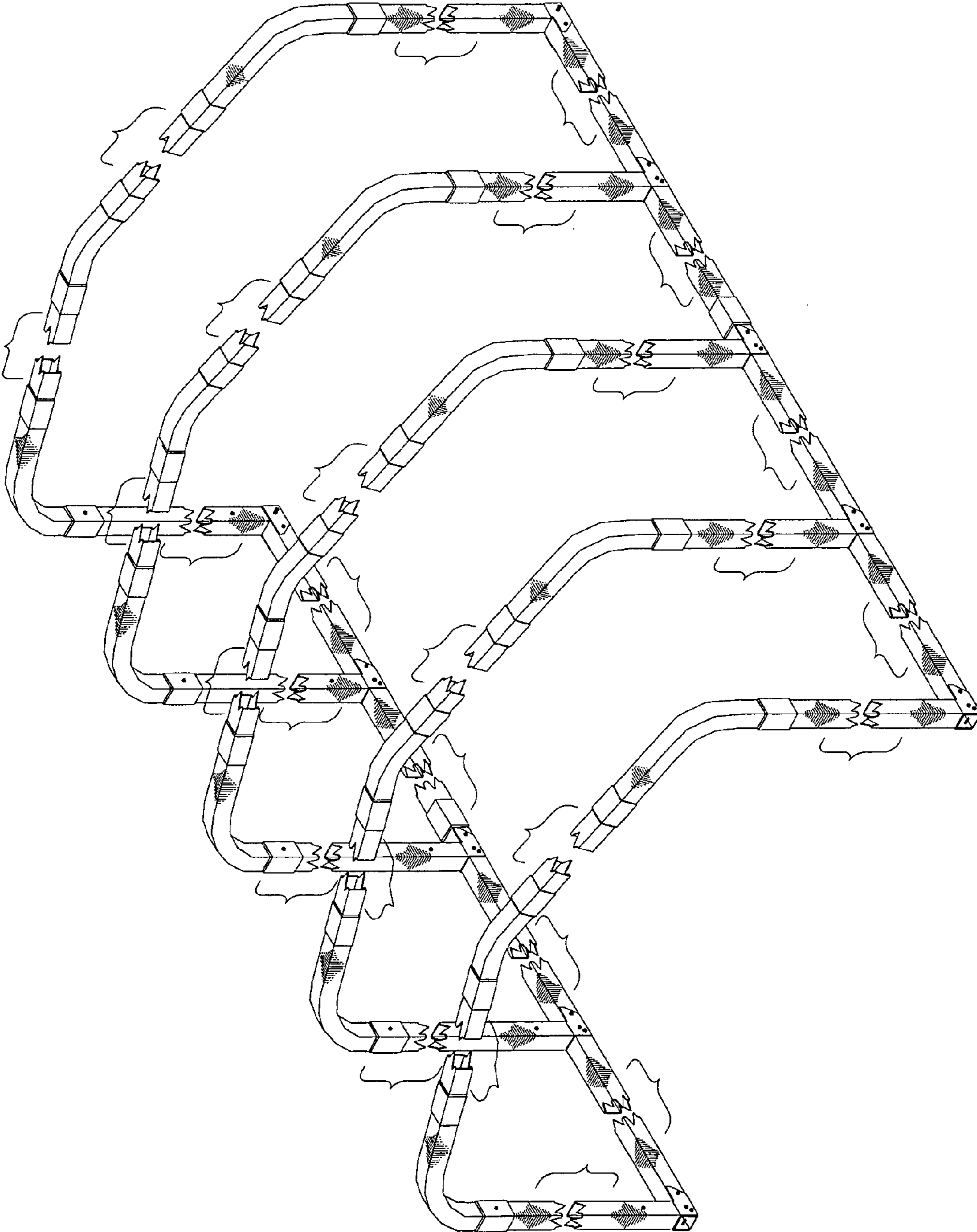


Fig. 1

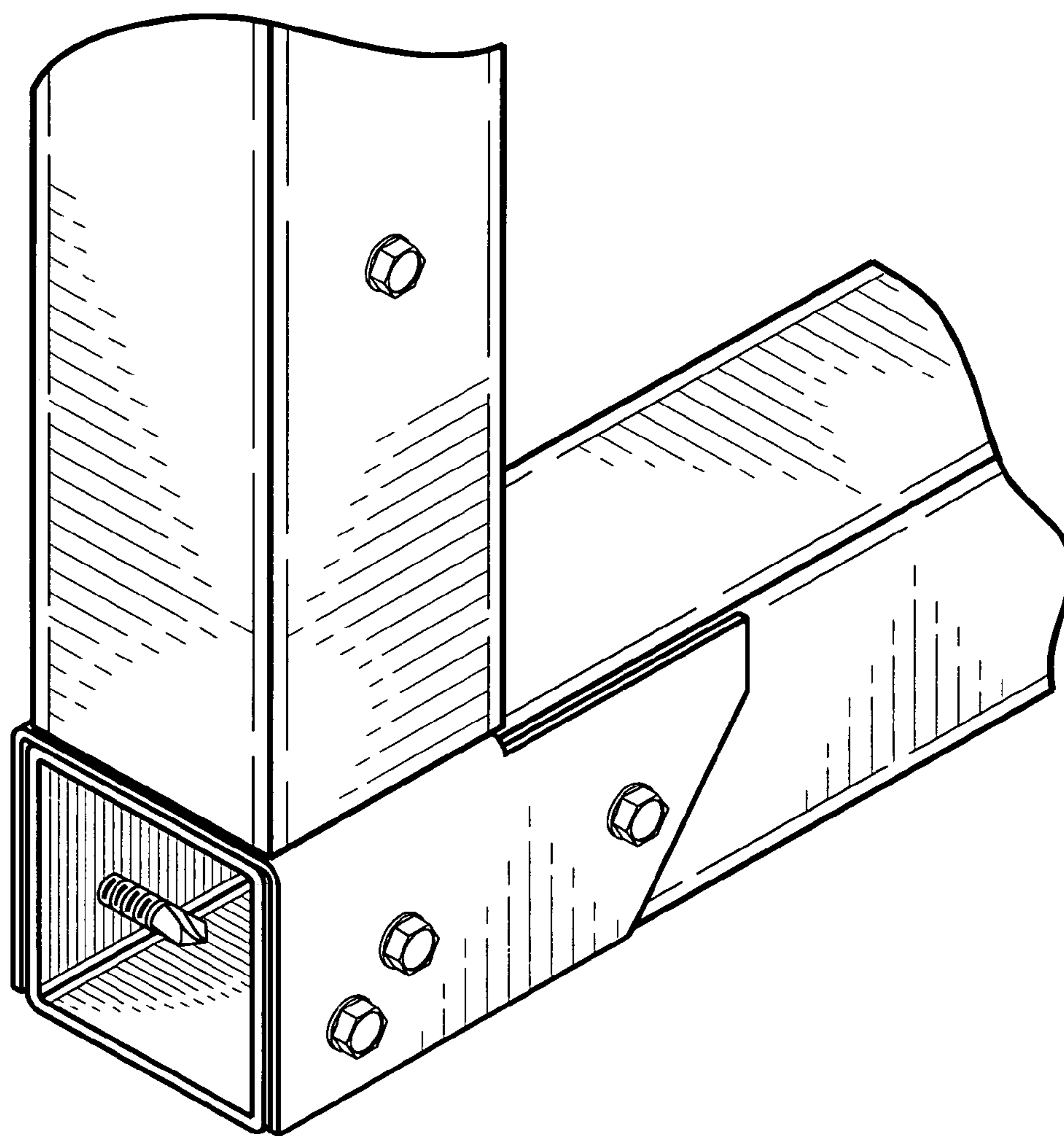


Fig. 2

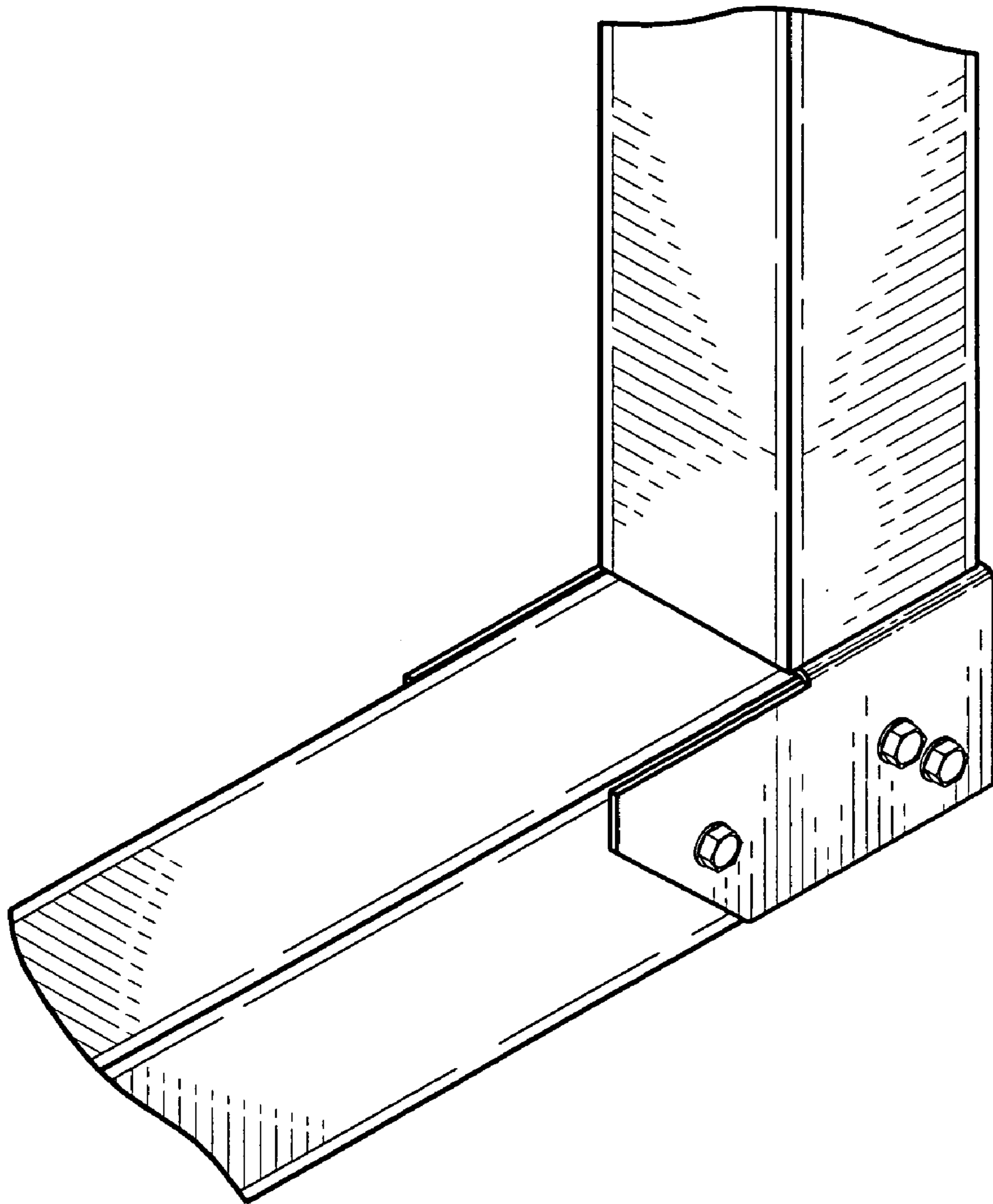


Fig. 3

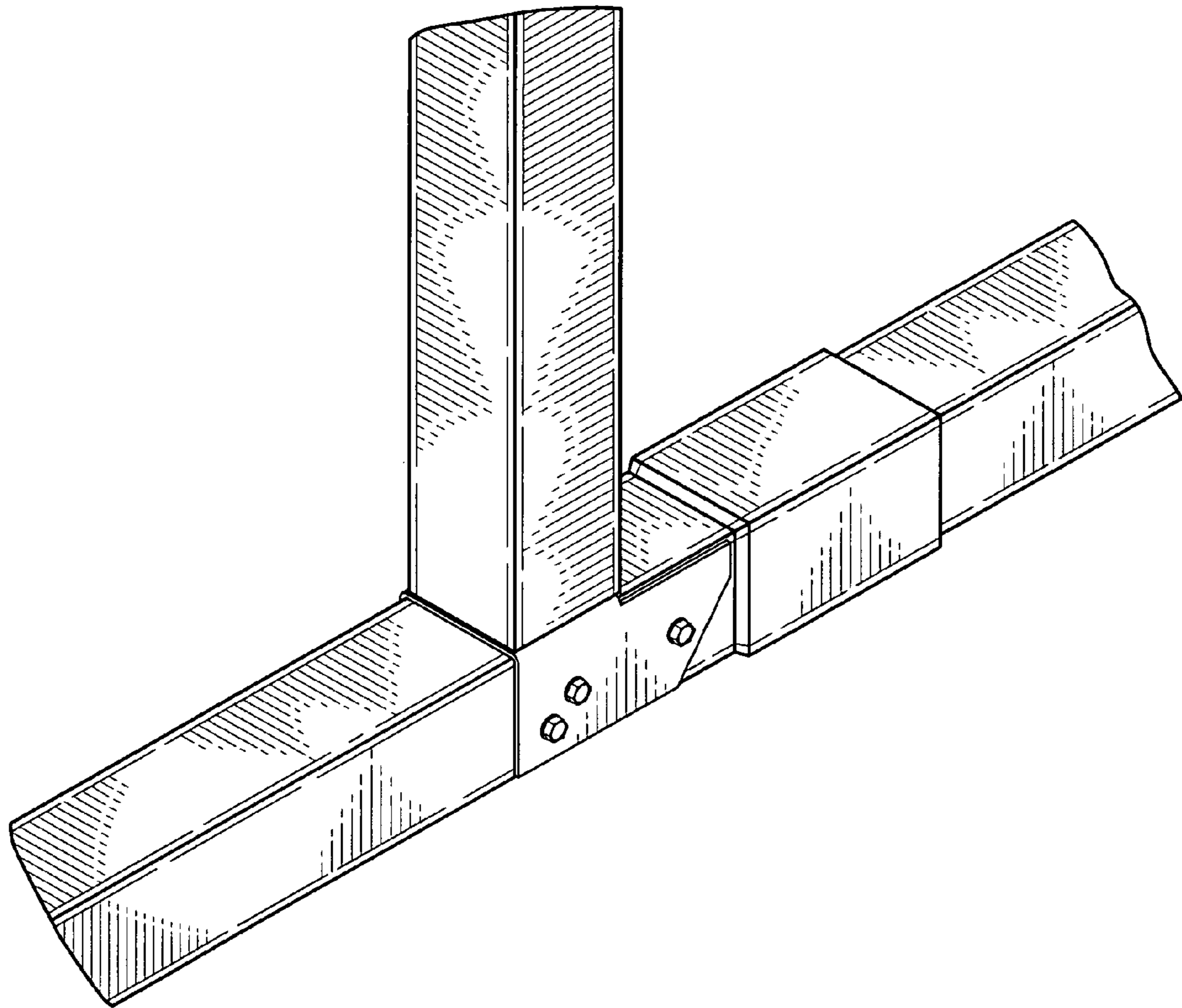


Fig. 4

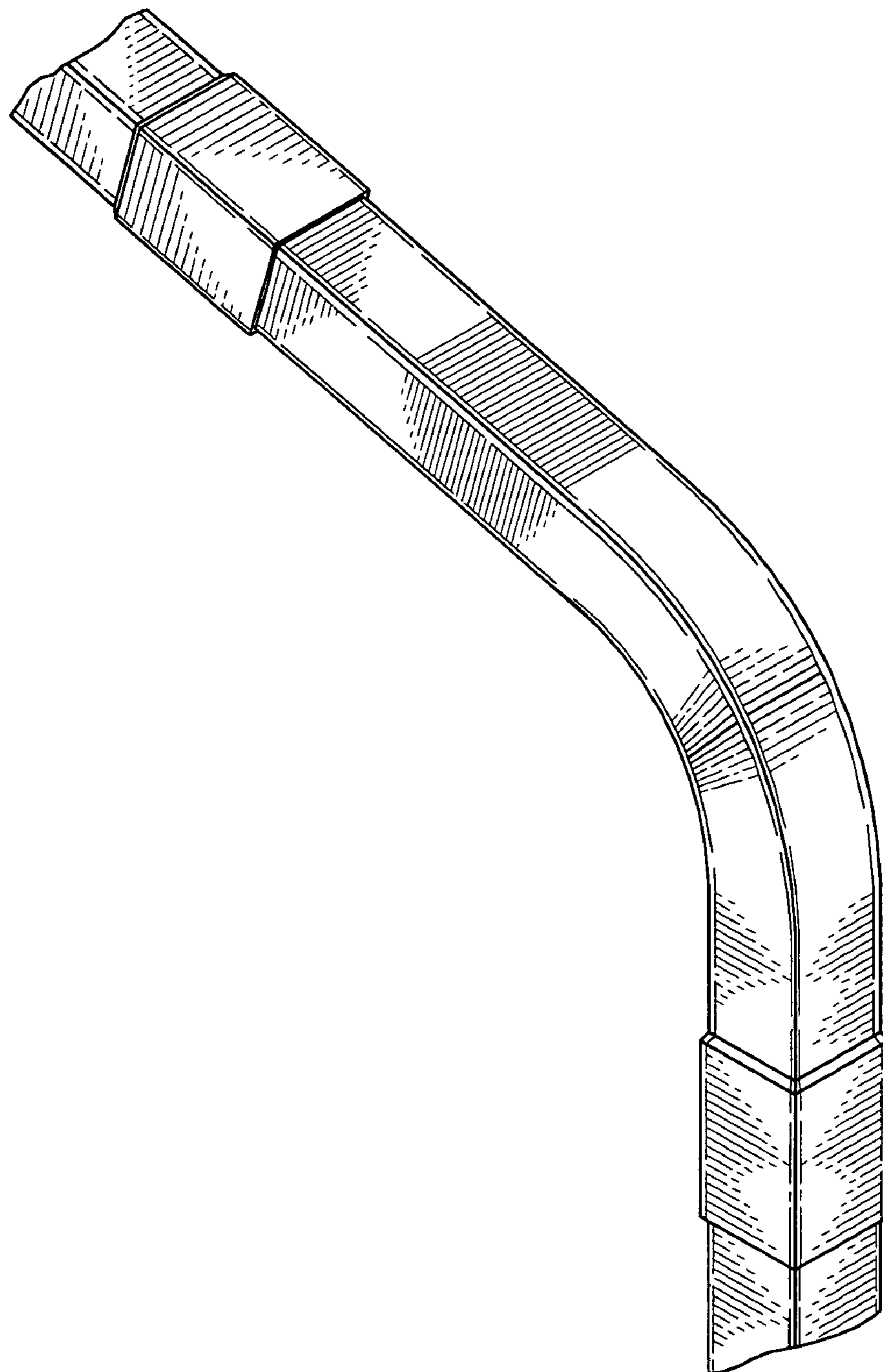


Fig. 5

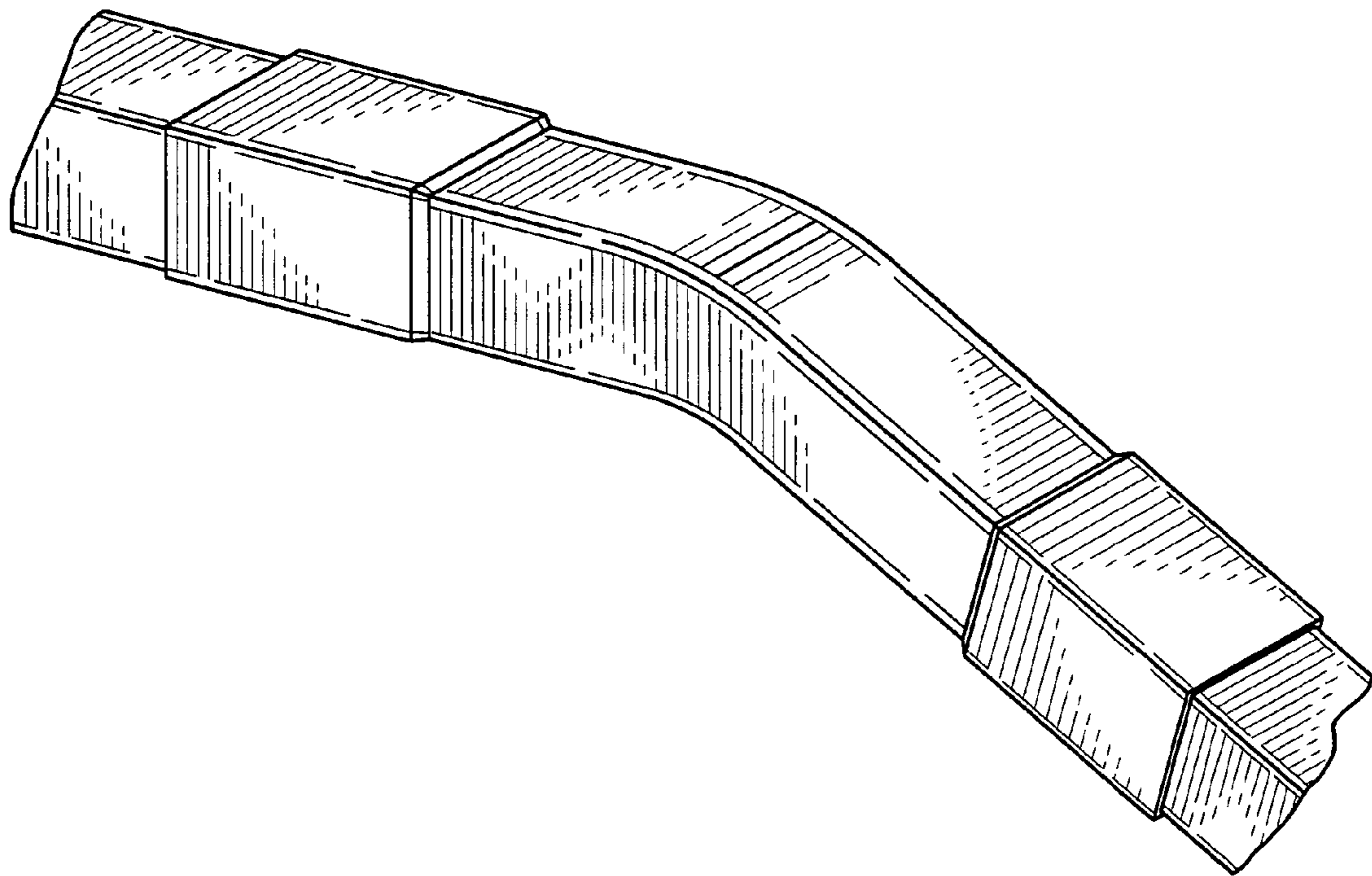


Fig. 6

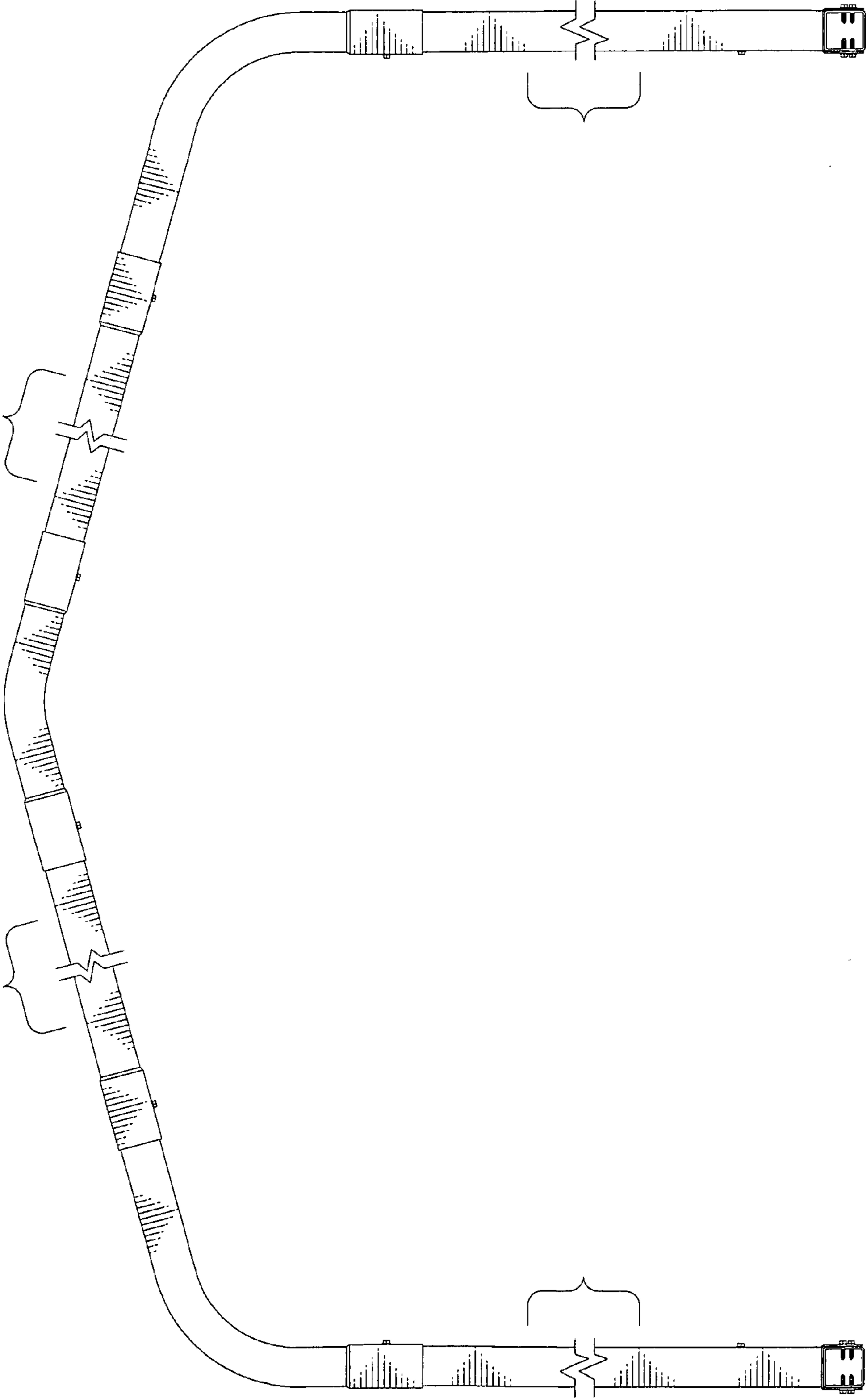


Fig. 7

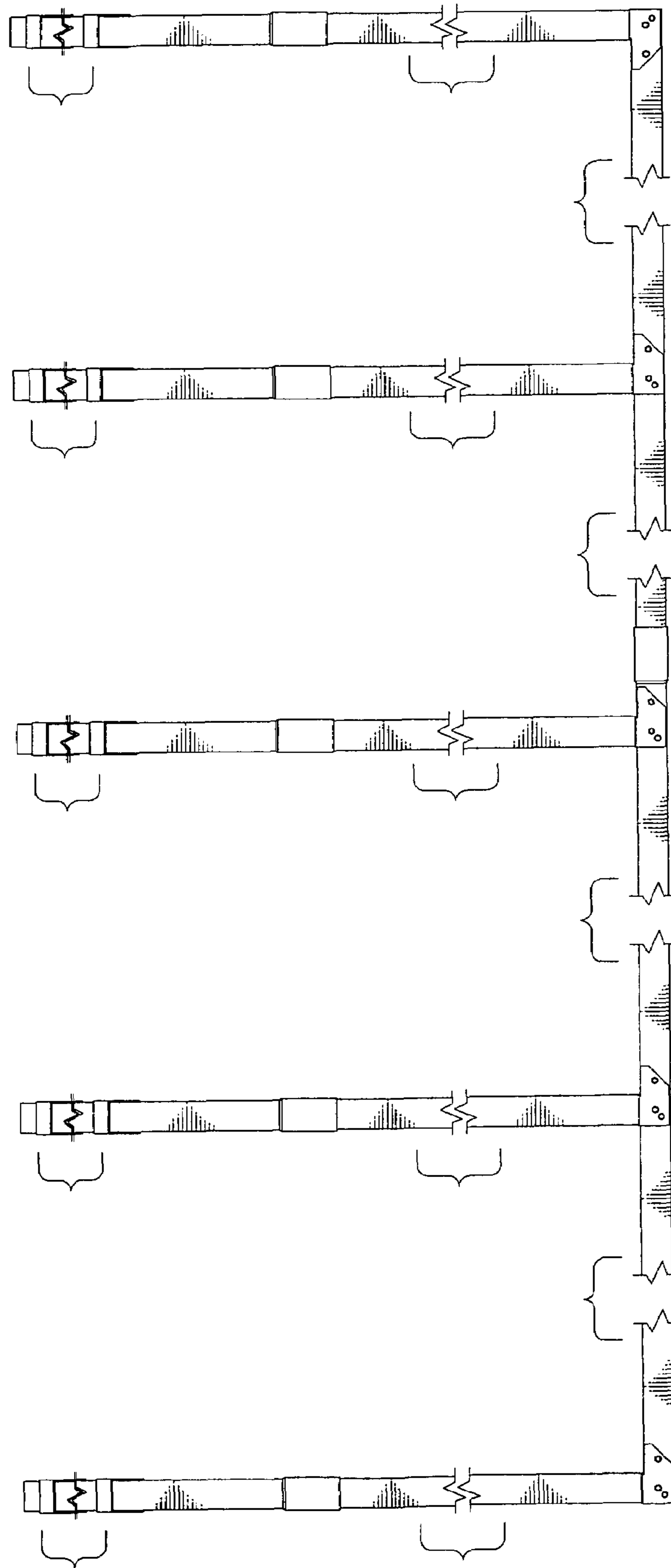


Fig. 8

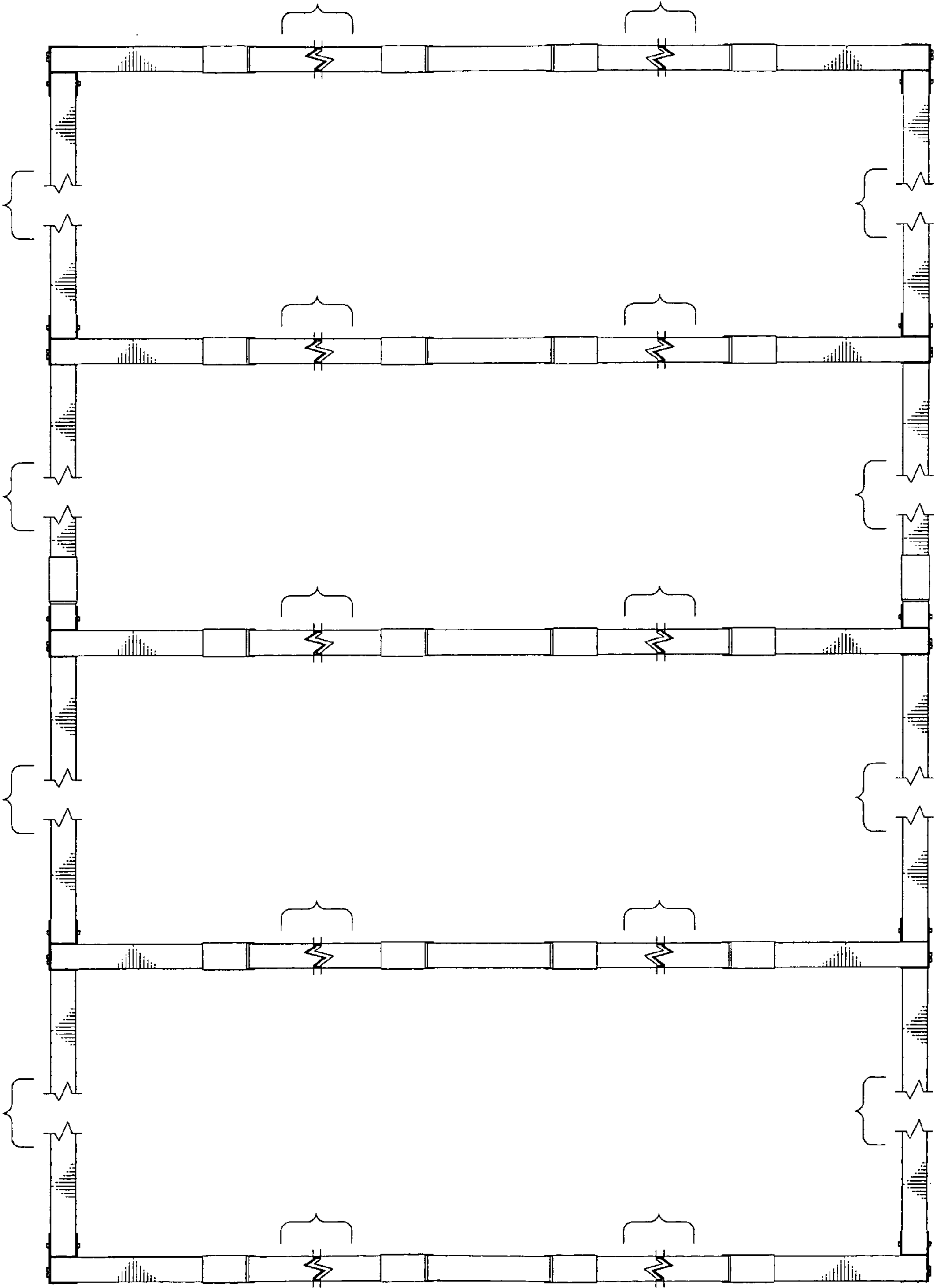


Fig. 9

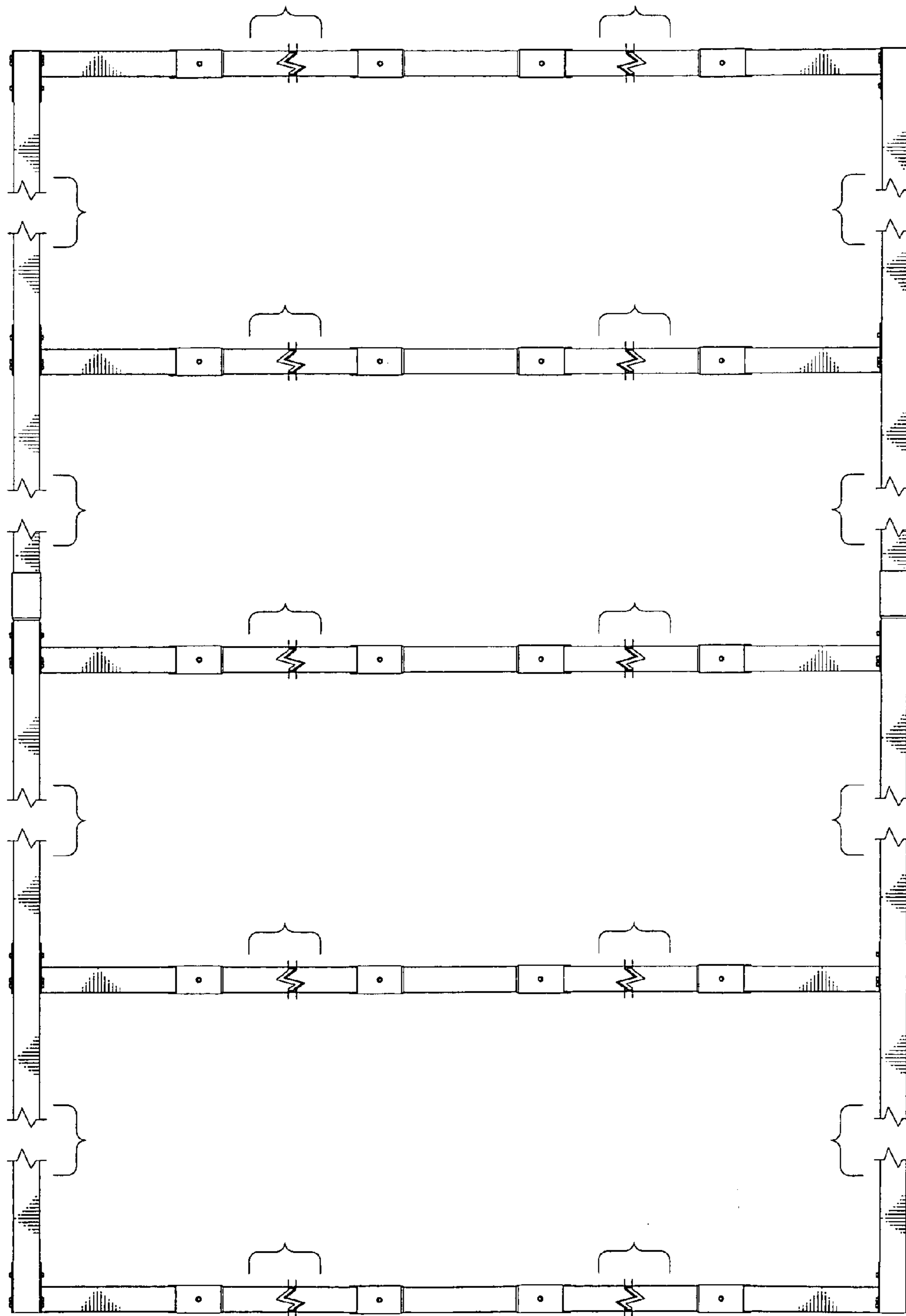


Fig. 10