



US00D588712S

(12) **United States Design Patent**
Wyse

(10) **Patent No.:** **US D588,712 S**
(45) **Date of Patent:** **** Mar. 17, 2009**

(54) **MOBILE SCAFFOLD SKID BAR**

(76) Inventor: **Steven J. Wyse**, 82 Pin Oak, Archbold,
OH (US) 43502

(**) Term: **14 Years**

(21) Appl. No.: **29/283,488**

(22) Filed: **Aug. 15, 2007**

(51) **LOC (9) Cl.** **25-04**

(52) **U.S. Cl.** **D25/68**

(58) **Field of Classification Search** D25/62,
D25/66, 68; 182/152, 141, 128, 129, 130
See application file for complete search history.

(56) **References Cited**

U.S. PATENT DOCUMENTS

3,817,347	A *	6/1974	Spencer	182/115
D265,425	S *	7/1982	Graas	D25/66
5,988,317	A *	11/1999	Riding	182/152
D520,646	S *	5/2006	Wyse	D25/68

* cited by examiner

Primary Examiner—Doris Clark
(74) *Attorney, Agent, or Firm*—Hovey Williams LLP

(57) **CLAIM**

The ornamental design for a mobile scaffold skid bar, as shown and described.

DESCRIPTION

FIG. 1 is a perspective view of a mobile scaffold skid bar showing my new design. The broken lines are for illustrative purposes only and form no part of the claimed design.

FIG. 2 is a perspective view thereof;

FIG. 3 is a front view thereof;

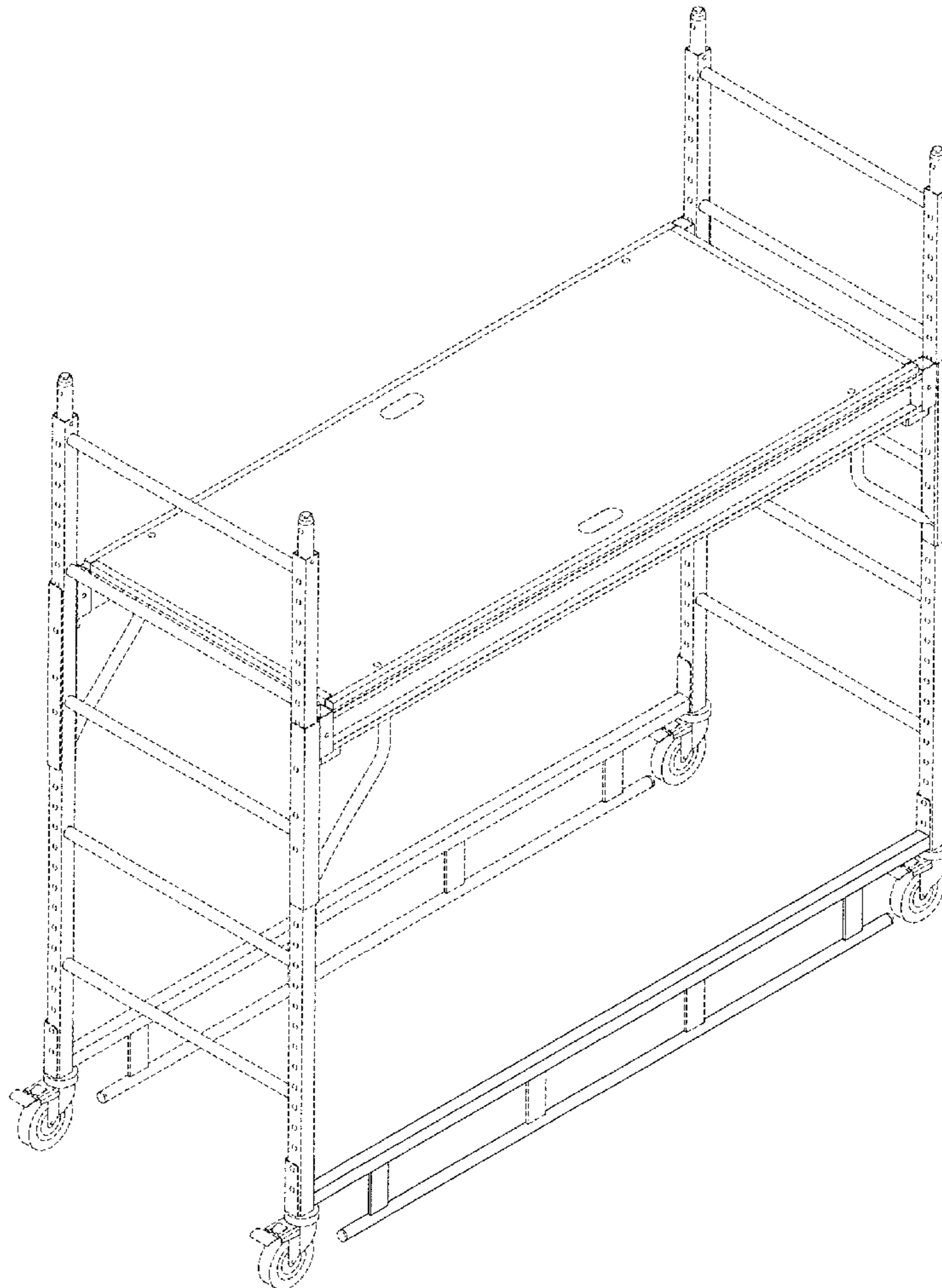
FIG. 4 is a top plan view thereof;

FIG. 5 is a bottom plan view thereof;

FIG. 6 is a rear elevation view thereof; and,

FIG. 7 is an end elevation view thereof, the opposite end being a mirror image thereto.

1 Claim, 4 Drawing Sheets



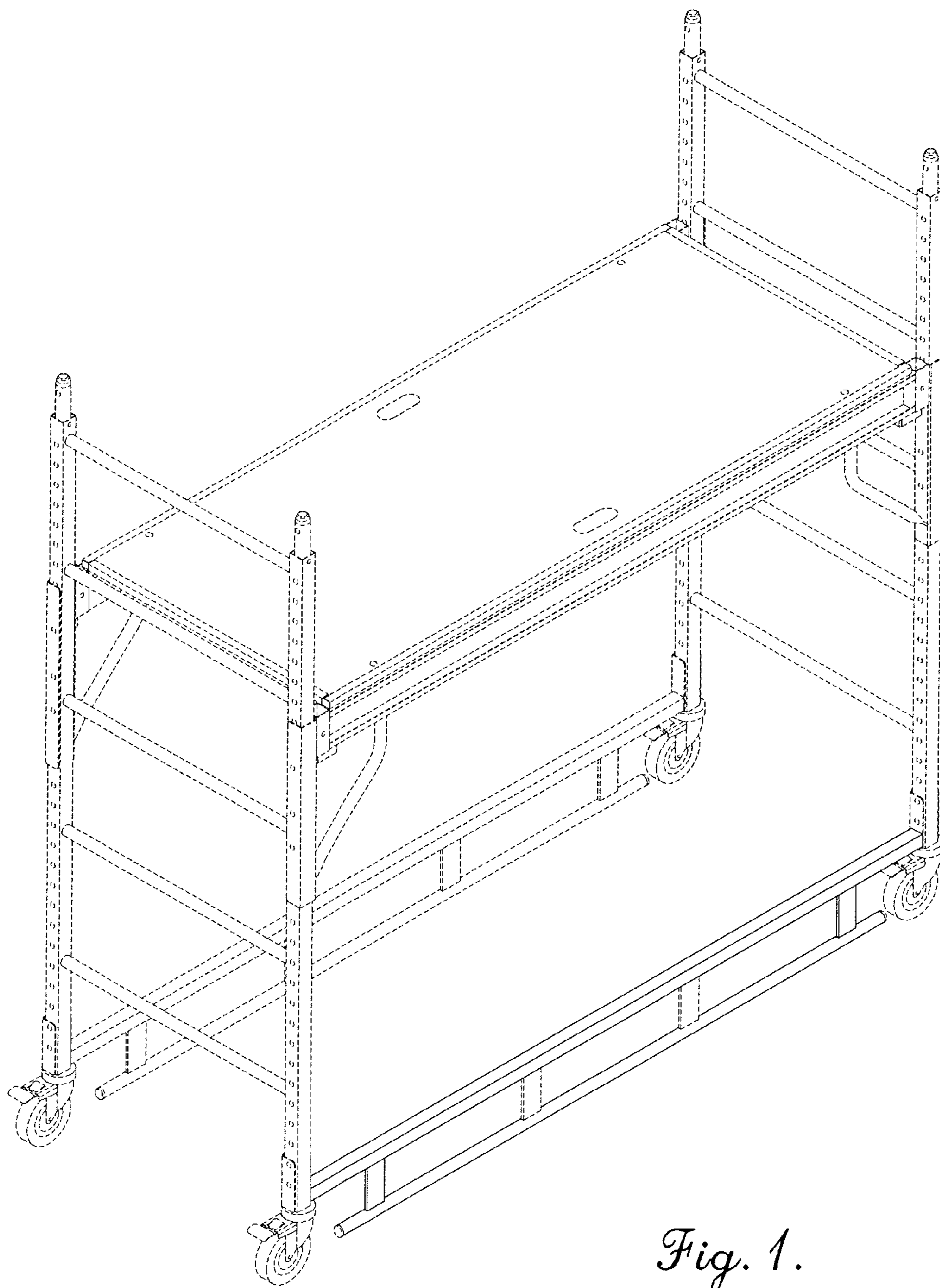


Fig. 1.

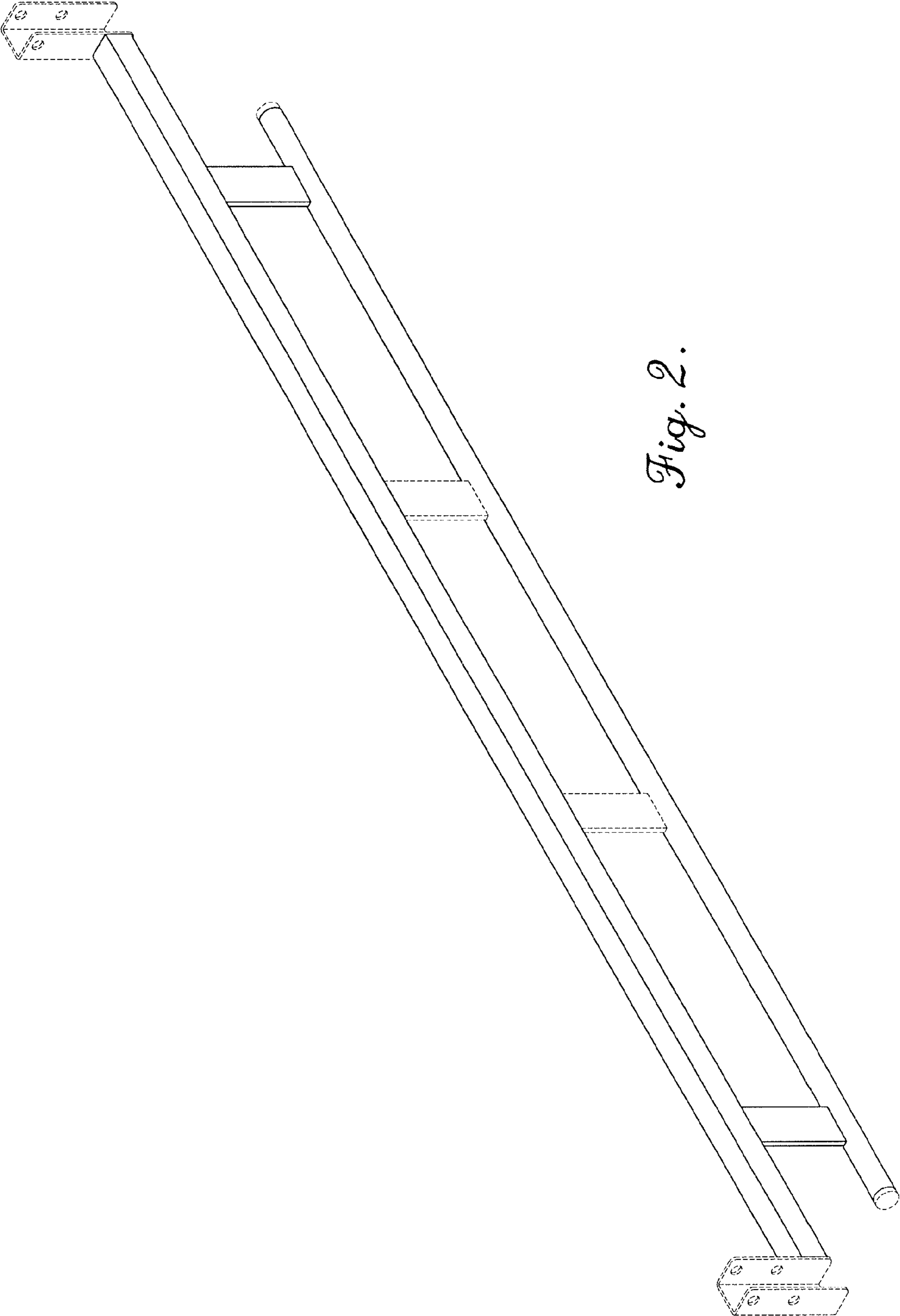


Fig. 2.

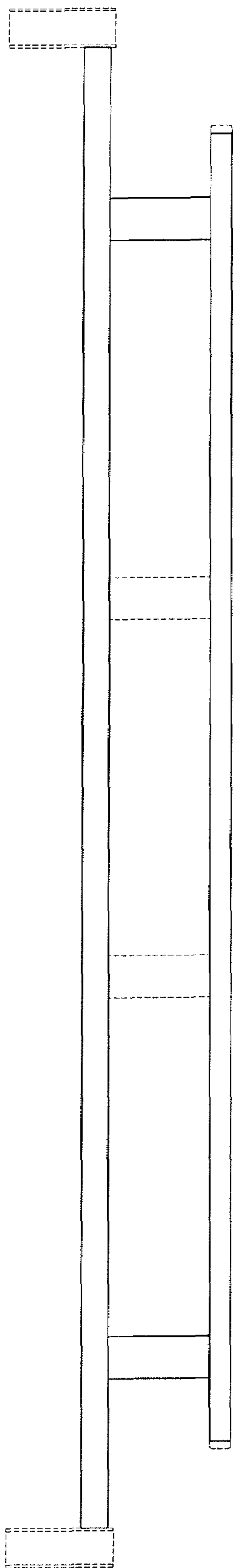


Fig. 3.



Fig. 4.

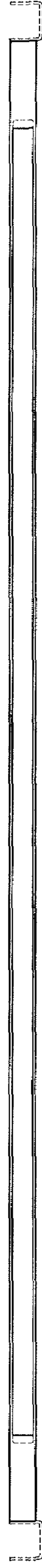


Fig. 5.

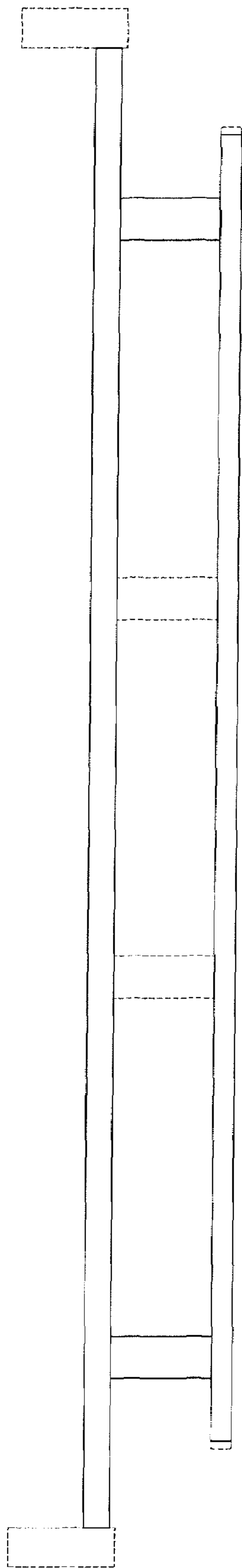


Fig. 6.



Fig. 7.