



US00D588711S

(12) **United States Design Patent**  
**Ryba**

(10) **Patent No.:** **US D588,711 S**  
(45) **Date of Patent:** **\*\* Mar. 17, 2009**

(54) **WINDOW FRAME**

(75) Inventor: **John Ryba**, Hiram, OH (US)

(73) Assignee: **Soft-Lite, LLC**, Streetsboro, OH (US)

(\*\*) Term: **14 Years**

(21) Appl. No.: **29/280,304**

(22) Filed: **May 23, 2007**

(51) **LOC (9) Cl.** ..... **25-02**

(52) **U.S. Cl.** ..... **D25/60**

(58) **Field of Classification Search** ..... D25/52,  
D25/60; 52/204.1, 206; 49/504, DIG. 2  
See application file for complete search history.

(56) **References Cited**

U.S. PATENT DOCUMENTS

2,219,593	A *	10/1940	Lang	49/61
3,081,852	A *	3/1963	Mendelsohn	49/459
4,044,503	A *	8/1977	Maune	49/400
D383,219	S *	9/1997	Roberts	D25/60
D416,626	S *	11/1999	Moller et al.	D25/60
6,389,763	B1 *	5/2002	Clauss	52/204.53
D477,882	S *	7/2003	Clarkin	D25/52

\* cited by examiner

*Primary Examiner*—Doris Clark  
(74) *Attorney, Agent, or Firm*—Foley & Lardner LLP

(57) **CLAIM**

We claim the ornamental design for a window frame, as shown and described.

**DESCRIPTION**

FIG. 1 is a left side and front perspective view of a window frame of the claimed design;

FIG. 2 is a cross-sectional view taken along line 2—2 in FIG. 1;

FIG. 3 is a front view thereof;

FIG. 4 is a left side view thereof;

FIG. 5 is a right side view thereof;

FIG. 6 is a top view thereof; and,

FIG. 7 is a bottom view thereof.

The ornamental design which is claimed is shown in solid lines in the drawings. The broken lines in the drawings are for illustrative purposes only and form no part of the claimed design.

**1 Claim, 5 Drawing Sheets**

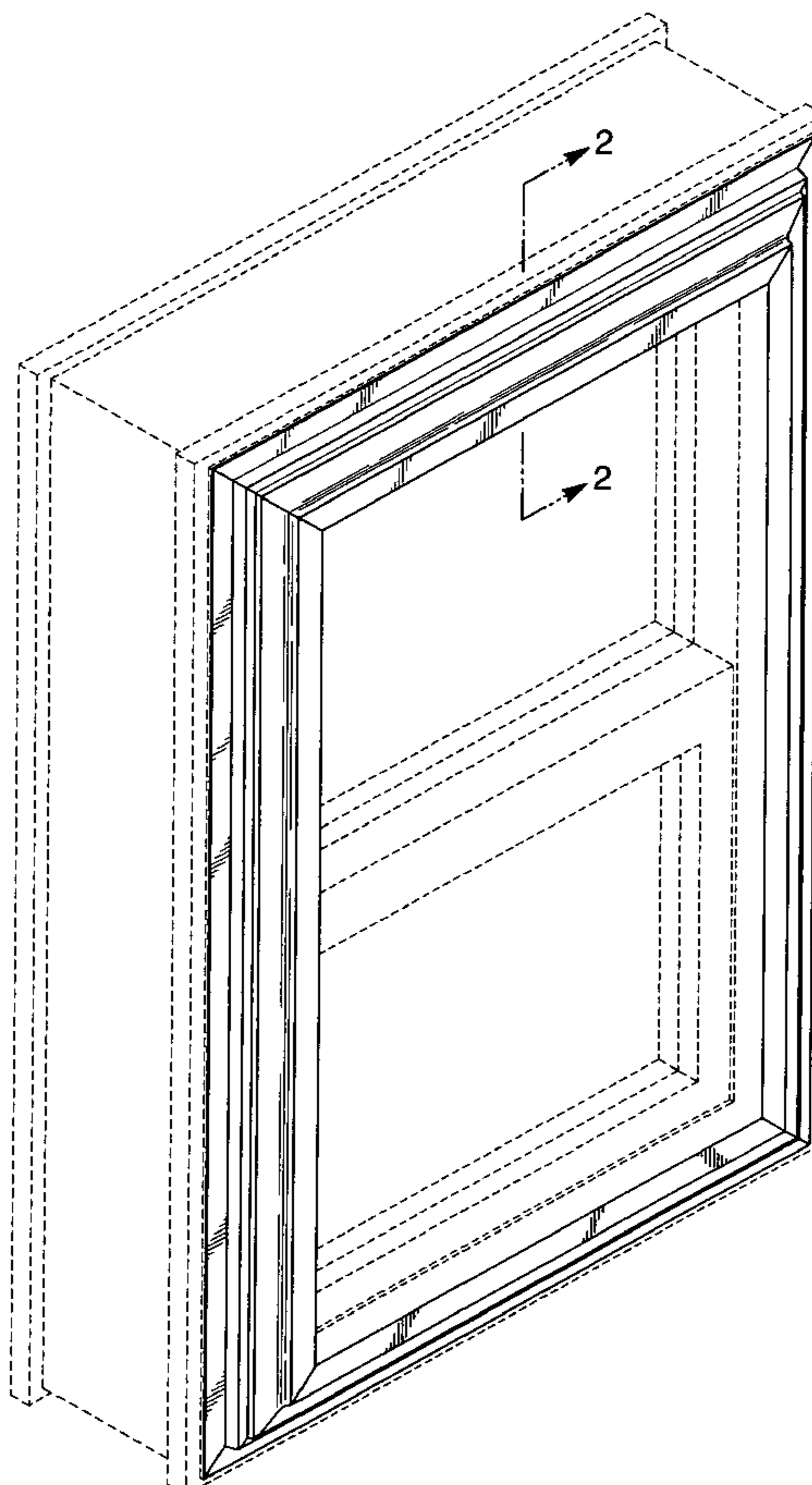


Fig. 1

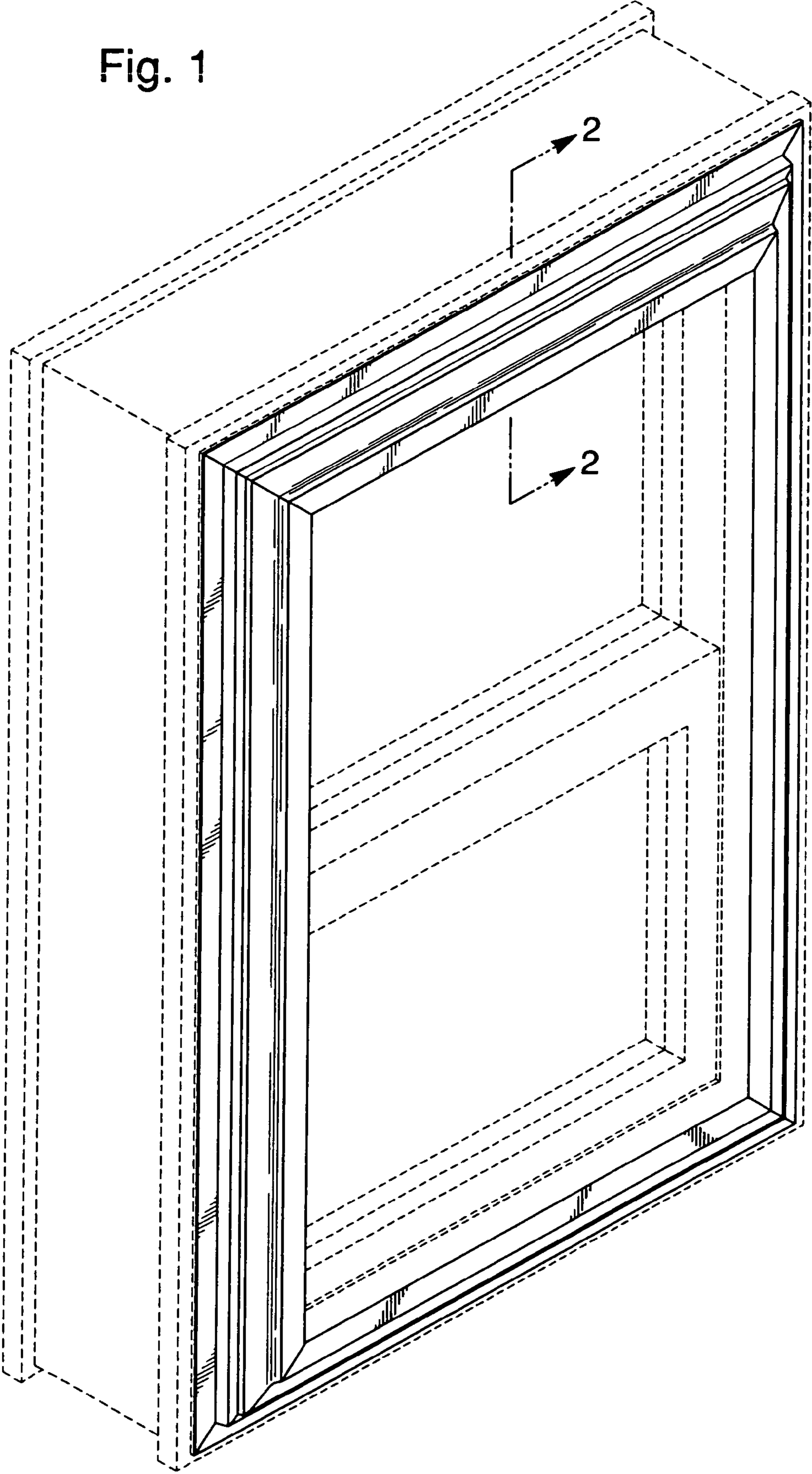


Fig. 2

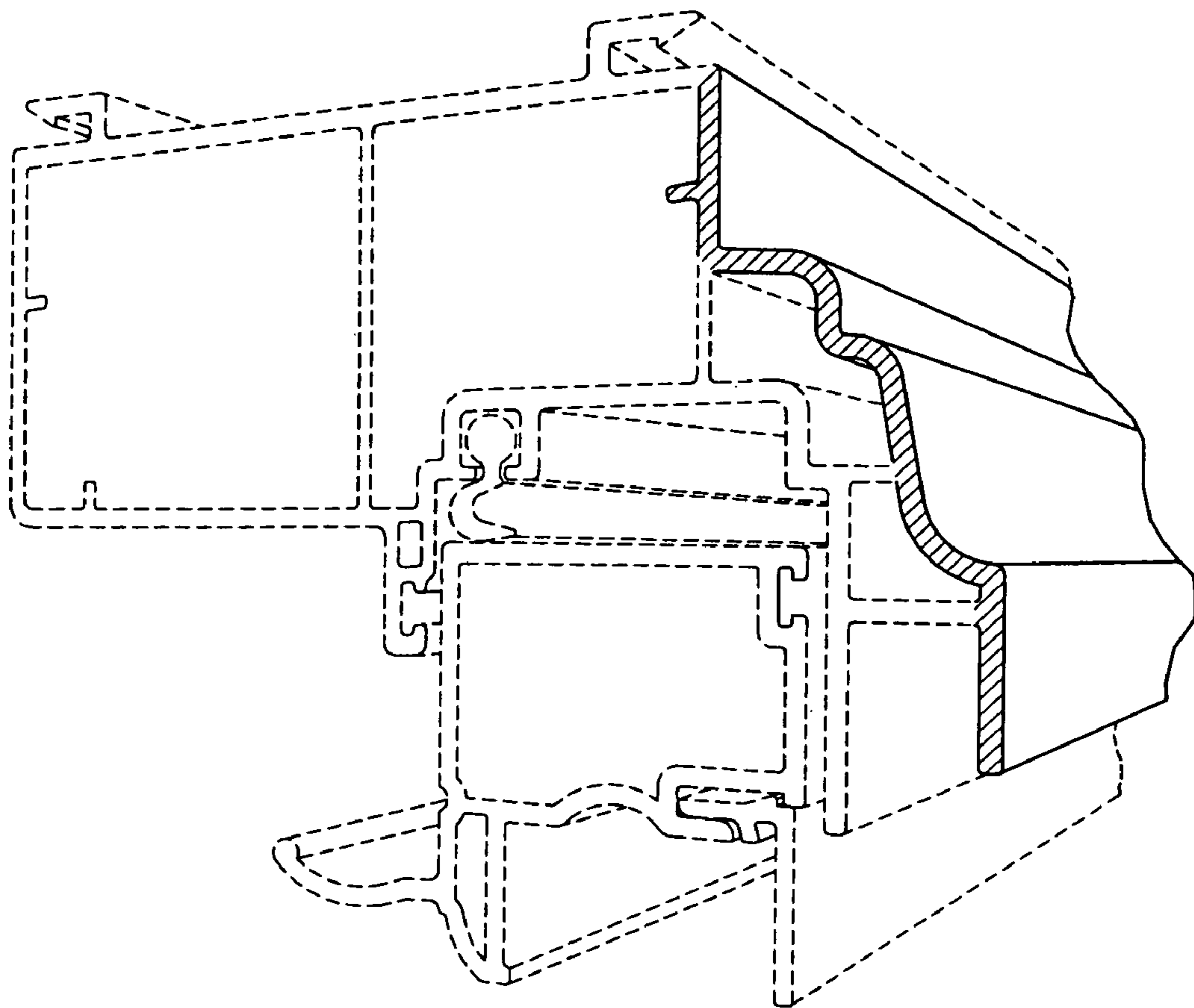


Fig. 3

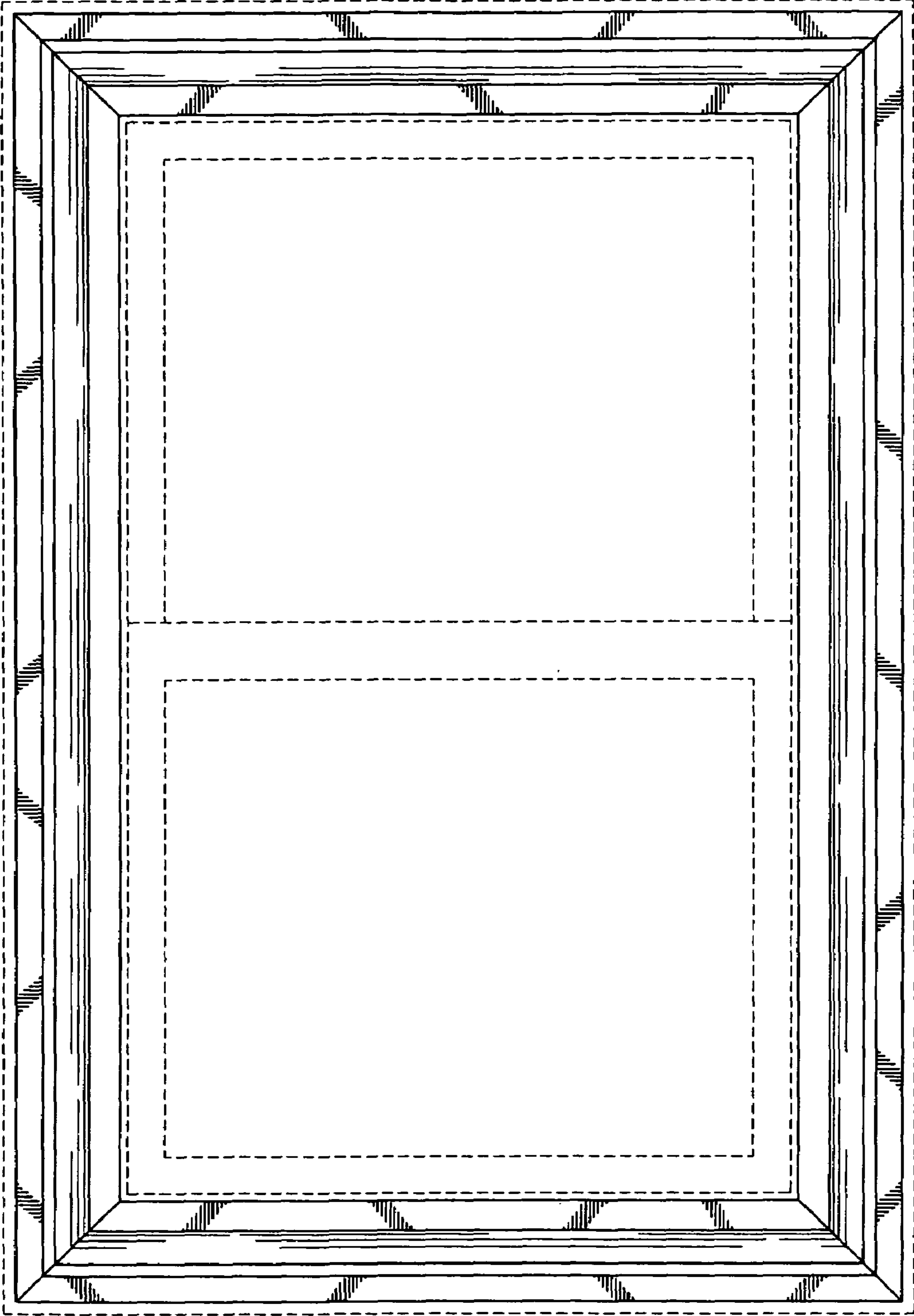


FIG. 4

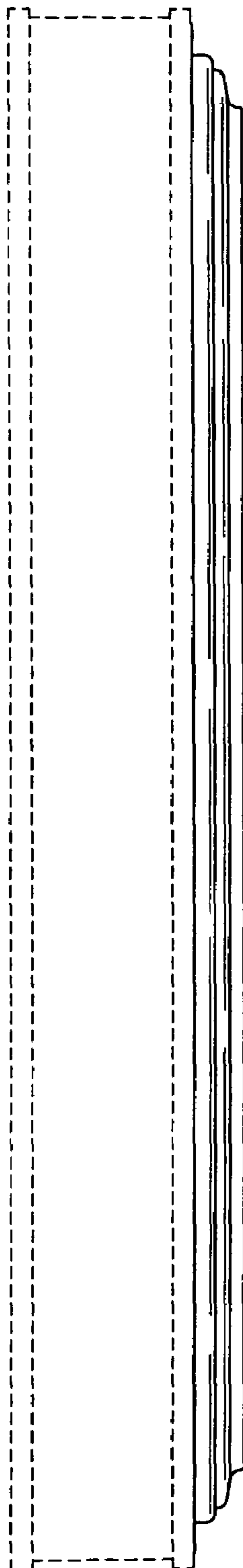


FIG. 5

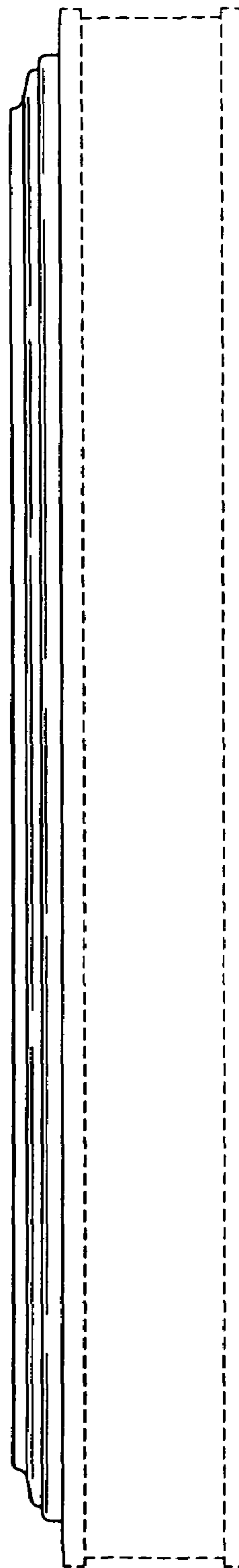


FIG. 6

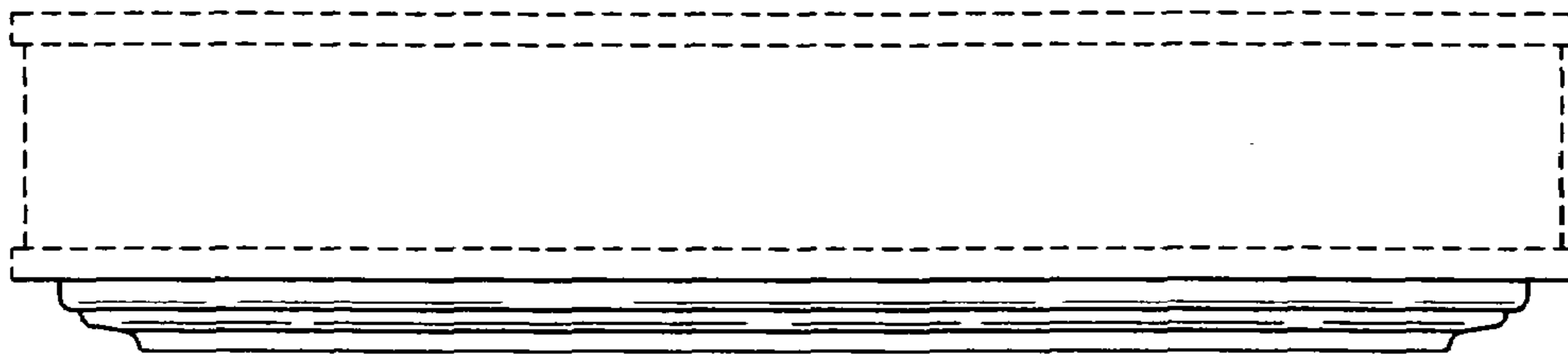


FIG. 7

