



US00D588707S

(12) **United States Design Patent**
Mai et al.

(10) **Patent No.:** **US D588,707 S**
(45) **Date of Patent:** **** Mar. 17, 2009**

(54) **PEDICURE SPA**

(76) Inventors: **Theresa Mai**, 1418 Flanders Field Ln,
Sugar Land, TX (US) 77478; **Trinh
Dang Tran**, 463 Le Van Sy Phuong 12,
Quan 3, Hochiminh City (VN)

(**) Term: **14 Years**

(21) Appl. No.: **29/323,063**

(22) Filed: **Aug. 15, 2008**

(51) **LOC (9) Cl.** **24-04**

(52) **U.S. Cl.** **D24/213; D24/204**

(58) **Field of Classification Search** D24/200–205,
D24/211–213; D6/336, 495; D28/56, 61;
607/144; 4/622, 574.1; 601/6, 15, 64, 157,
601/158, 30–32

See application file for complete search history.

(56) **References Cited**

U.S. PATENT DOCUMENTS

4,620,529	A *	11/1986	Kurosawa	601/157
D346,043	S *	4/1994	Galati et al.	D28/61
D457,018	S	5/2002	Park		
6,503,212	B2 *	1/2003	Park	601/158
D546,957	S *	7/2007	Ton	D24/201
D561,903	S	2/2008	Ton		
D569,986	S *	5/2008	Ton	D24/204
D571,018	S	6/2008	Ton		
D571,961	S	6/2008	Nguyen		
D574,502	S	8/2008	Ton		

* cited by examiner

Primary Examiner—Cathron C Brooks

Assistant Examiner—Melanie Levy

(74) *Attorney, Agent, or Firm*—John K. Buche; Buche & Associates, P.C.

(57) **CLAIM**

The ornamental design for a pedicure spa, as shown and described.

DESCRIPTION

FIG. 1 is a front perspective view of a pedicure spa showing our new design, whereby the dashed lines form no part of the claimed design;

FIG. 2 is a rear perspective view of the pedicure spa, whereby the dashed lines form no part of the claimed design;

FIG. 3 is a front elevational view of the pedicure spa, whereby the dashed lines form no part of the claimed design;

FIG. 4 is a rear elevational view of the pedicure spa, whereby the dashed lines form no part of the claimed design;

FIG. 5 is a right side elevational view of the pedicure spa;

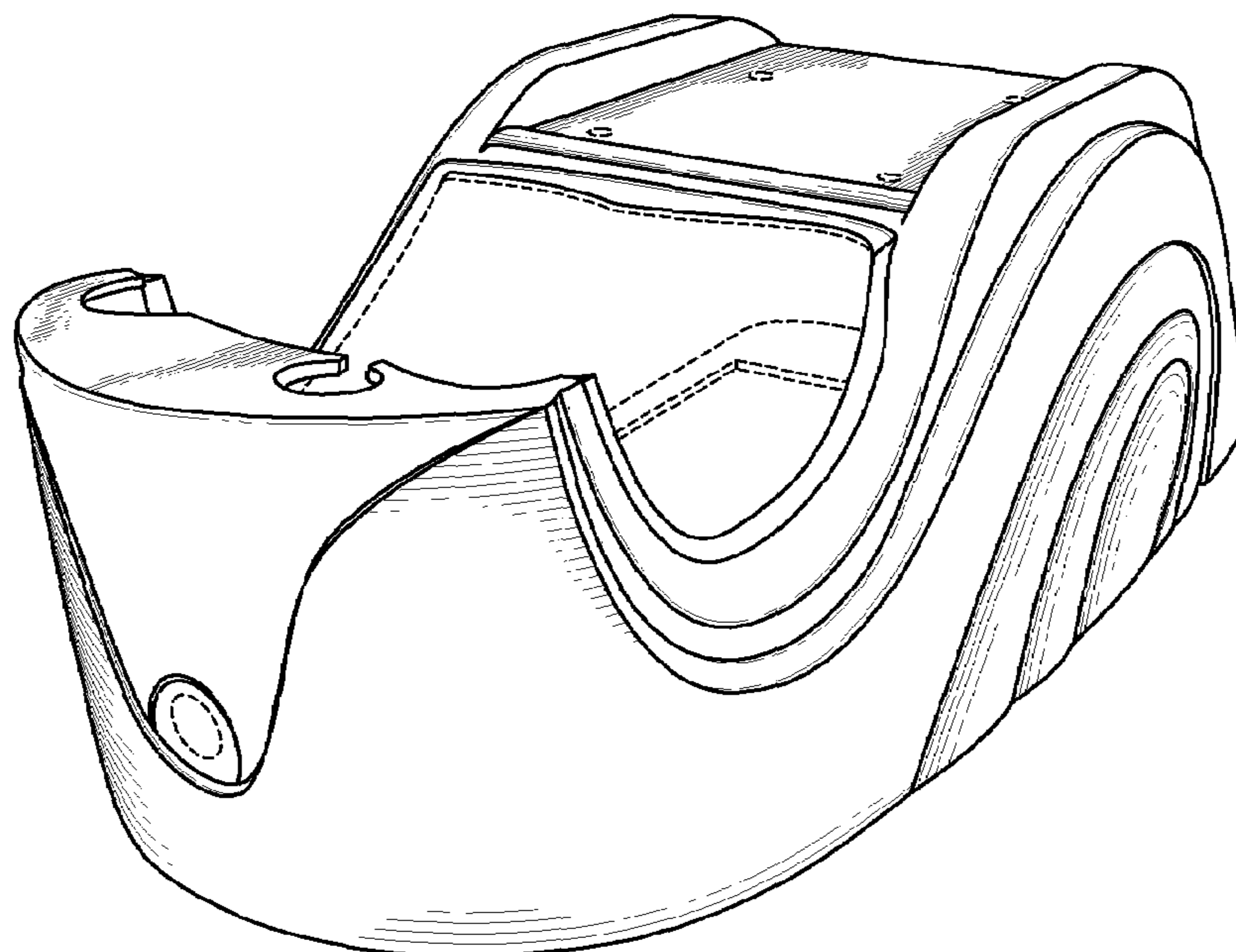
FIG. 6 is a left side elevational view of the pedicure spa;

FIG. 7 is a top view of the pedicure spa, whereby the dashed lines form no part of the claimed design;

FIG. 8 is a bottom view of the pedicure spa, whereby the dashed lines form no part of the claimed design; and,

FIG. 9 is front perspective view of the pedicure spa including a sink attached thereto, whereby the dashed lines of the sink and pedicure spa form no part of the claimed design.

1 Claim, 5 Drawing Sheets



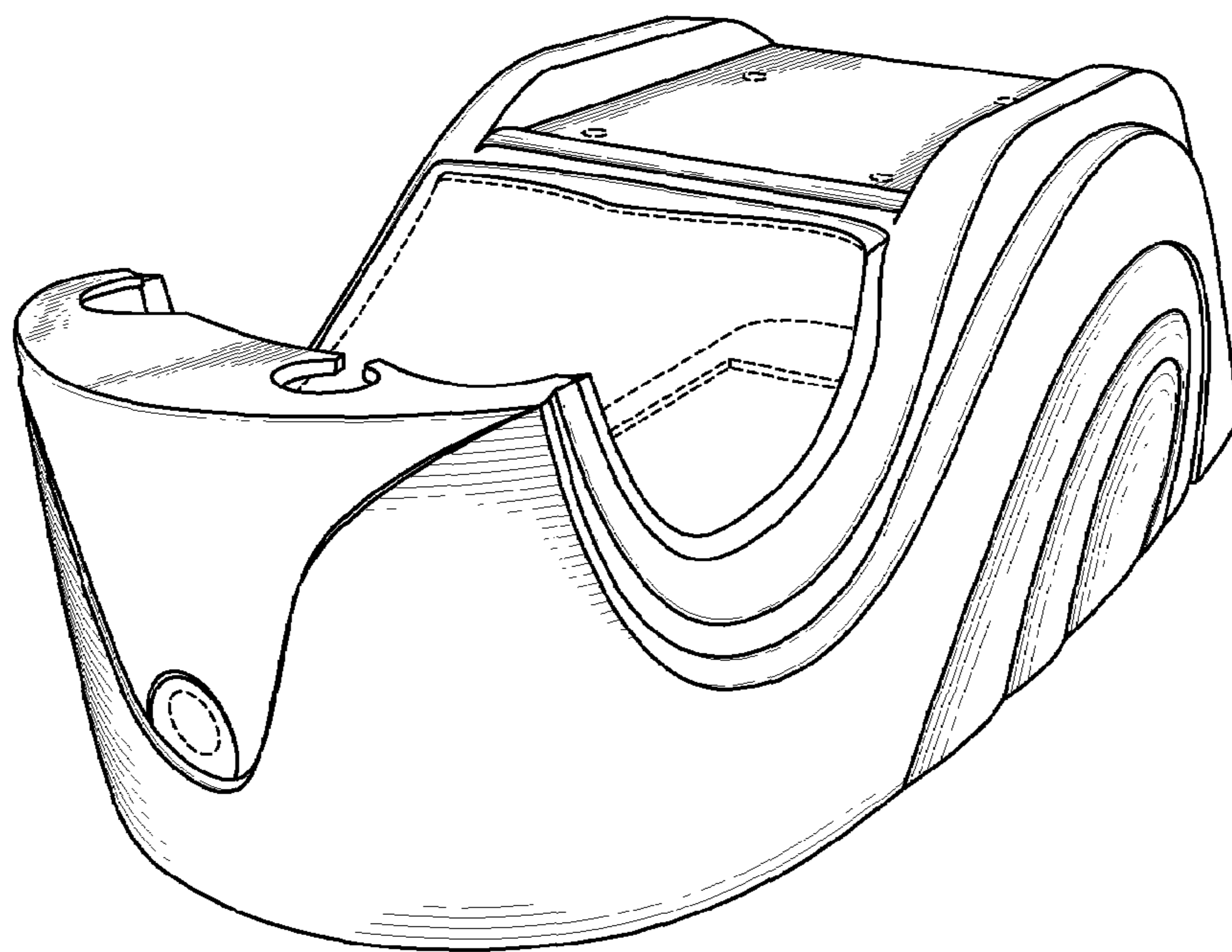


FIG. 1

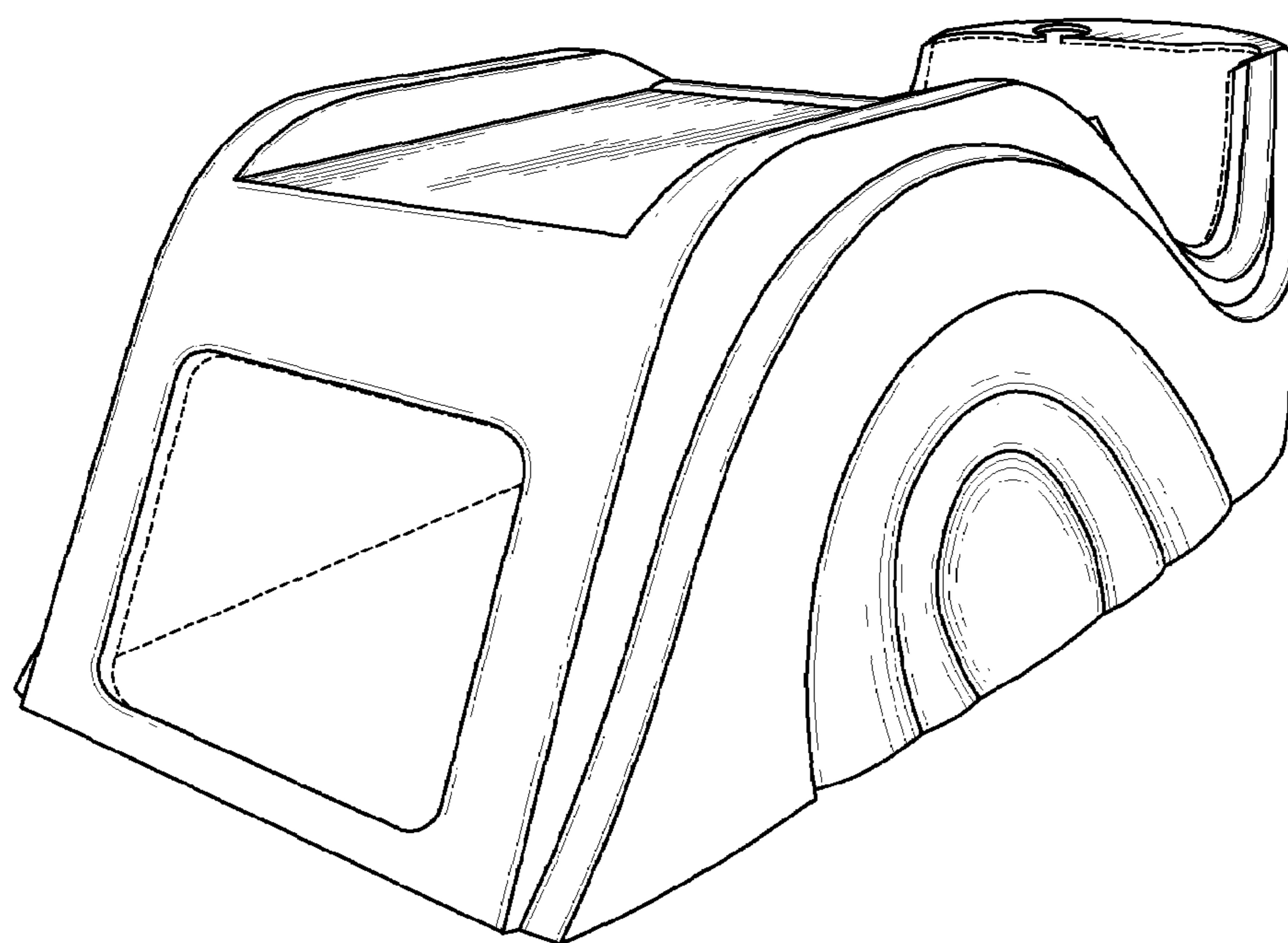


FIG. 2

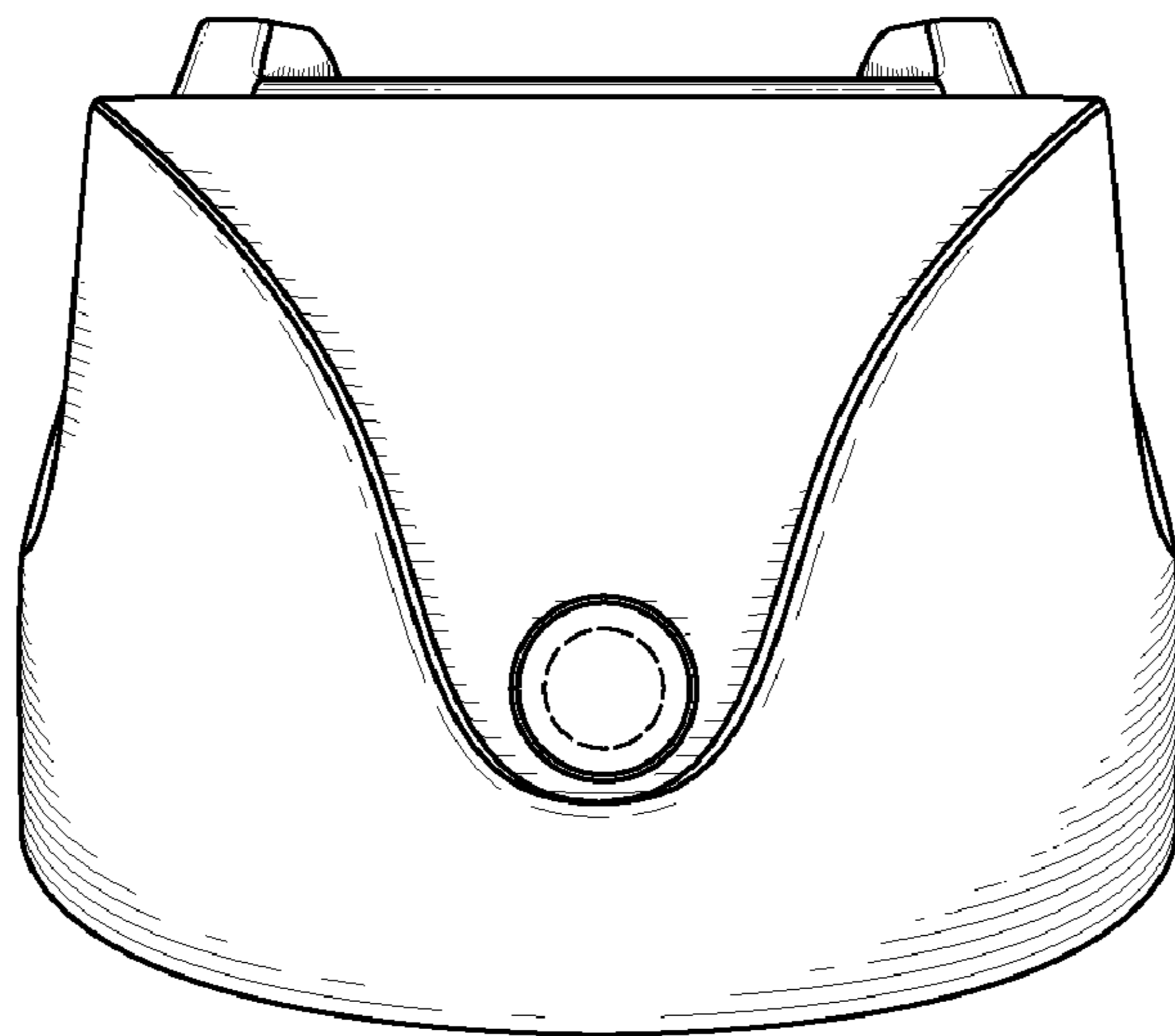


FIG. 3

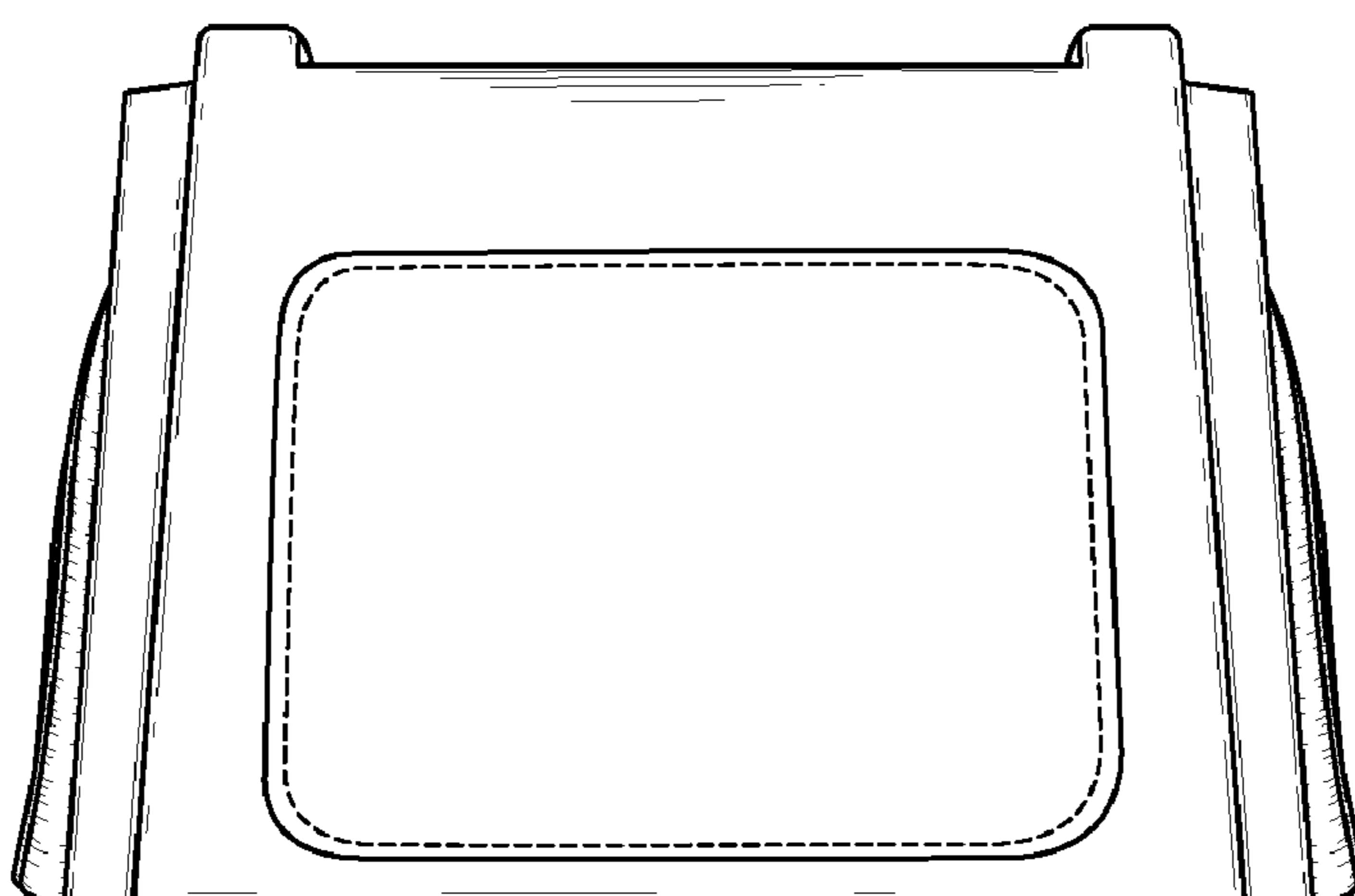


FIG. 4

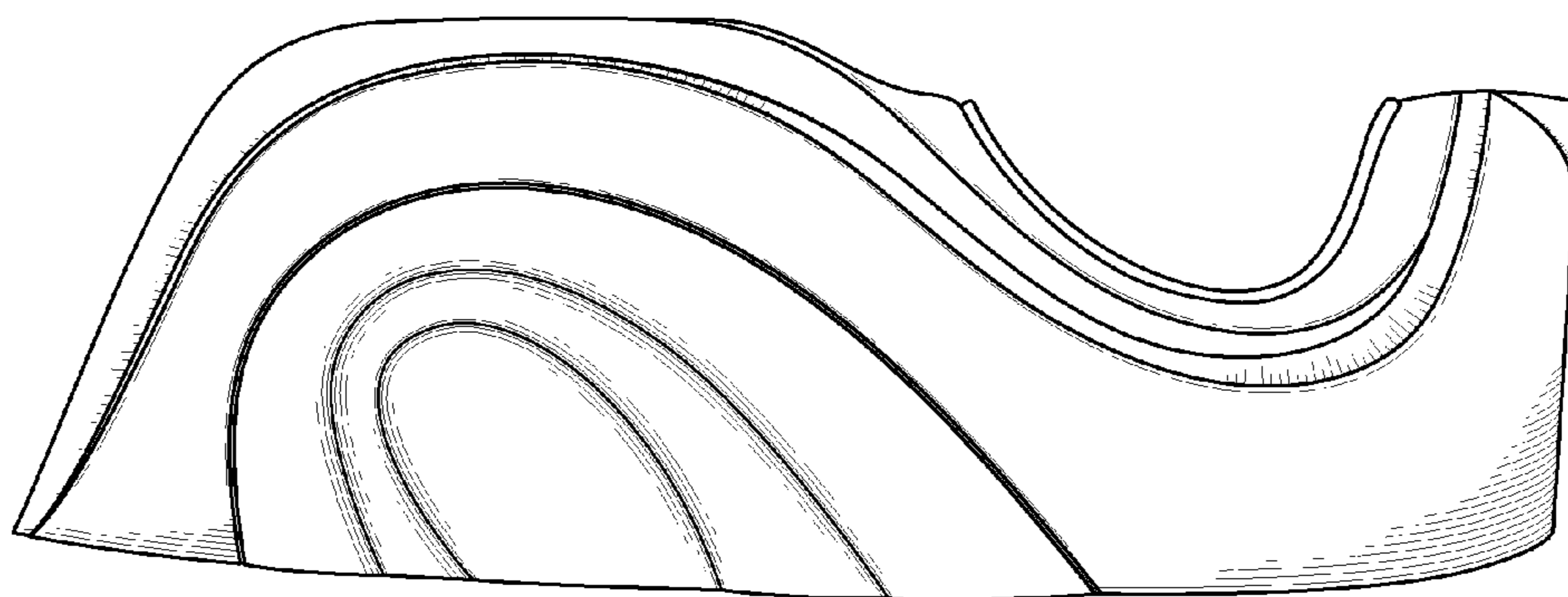


FIG. 5

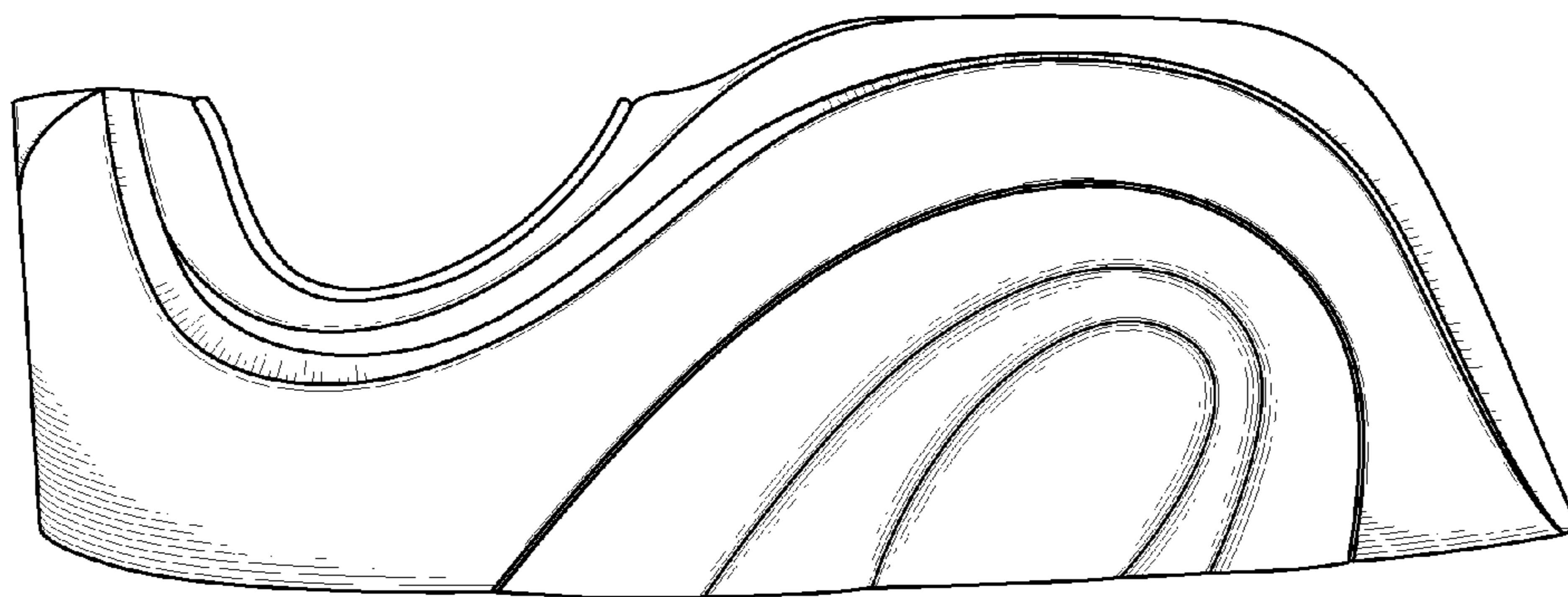


FIG. 6

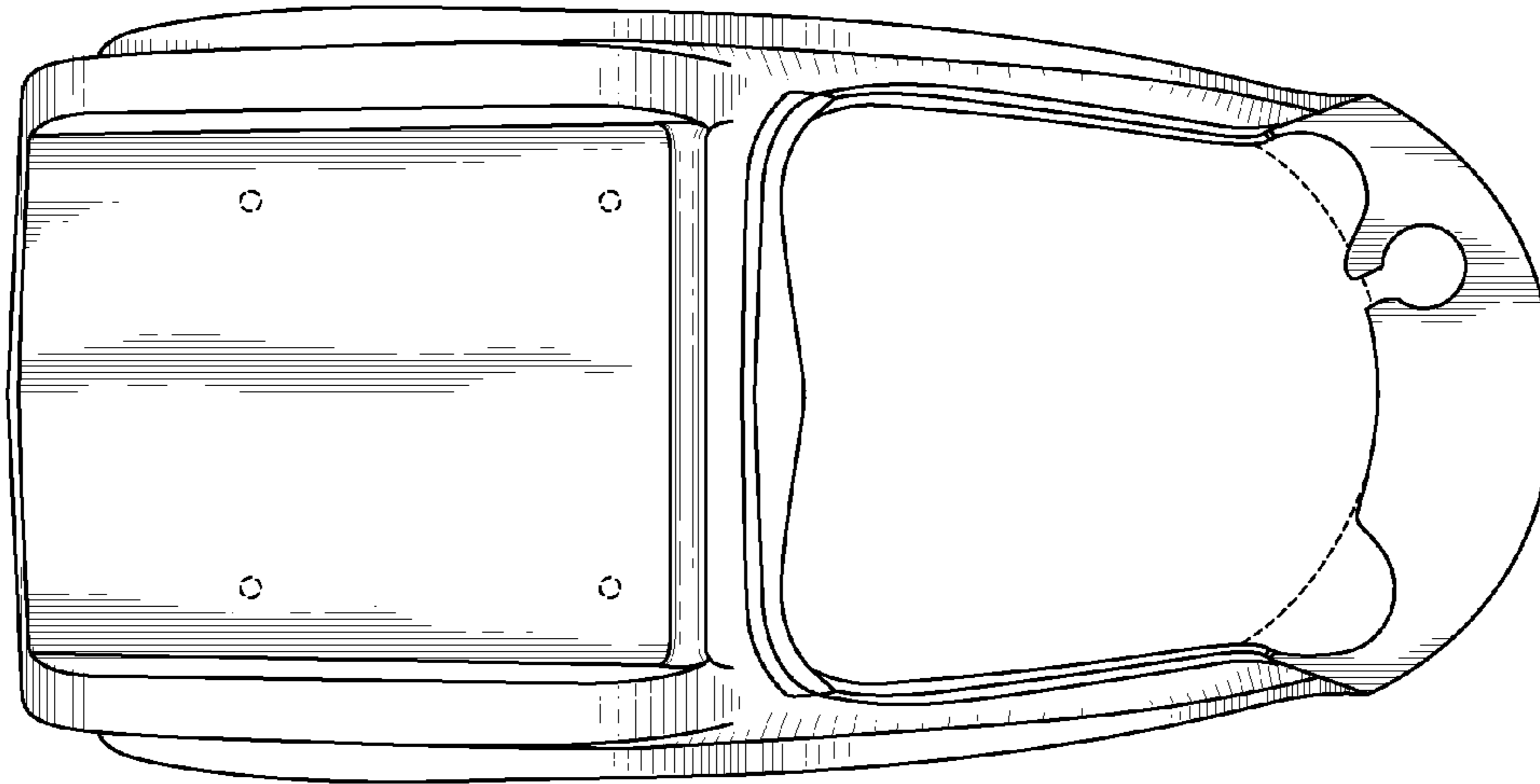


FIG. 7

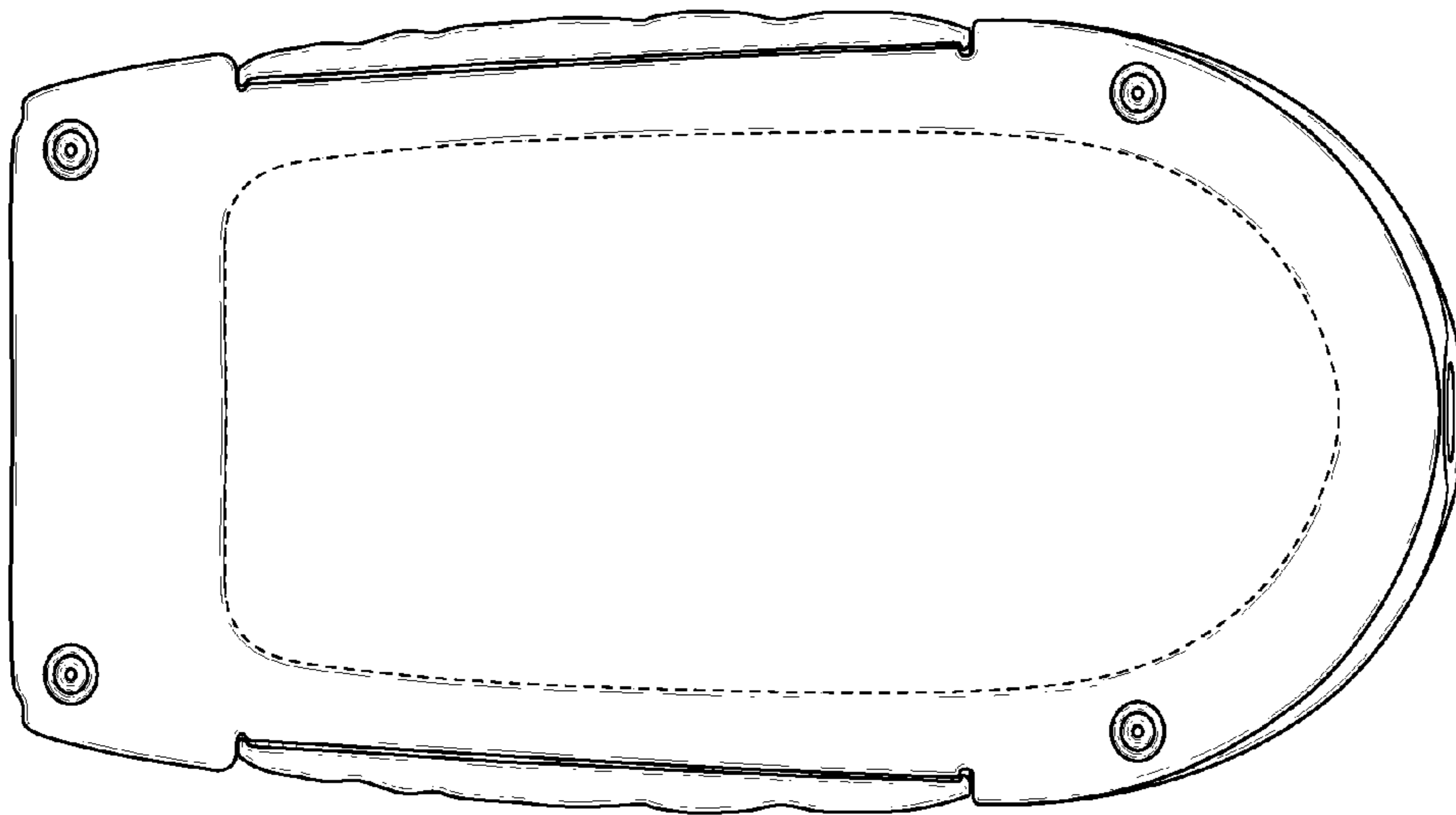


FIG. 8

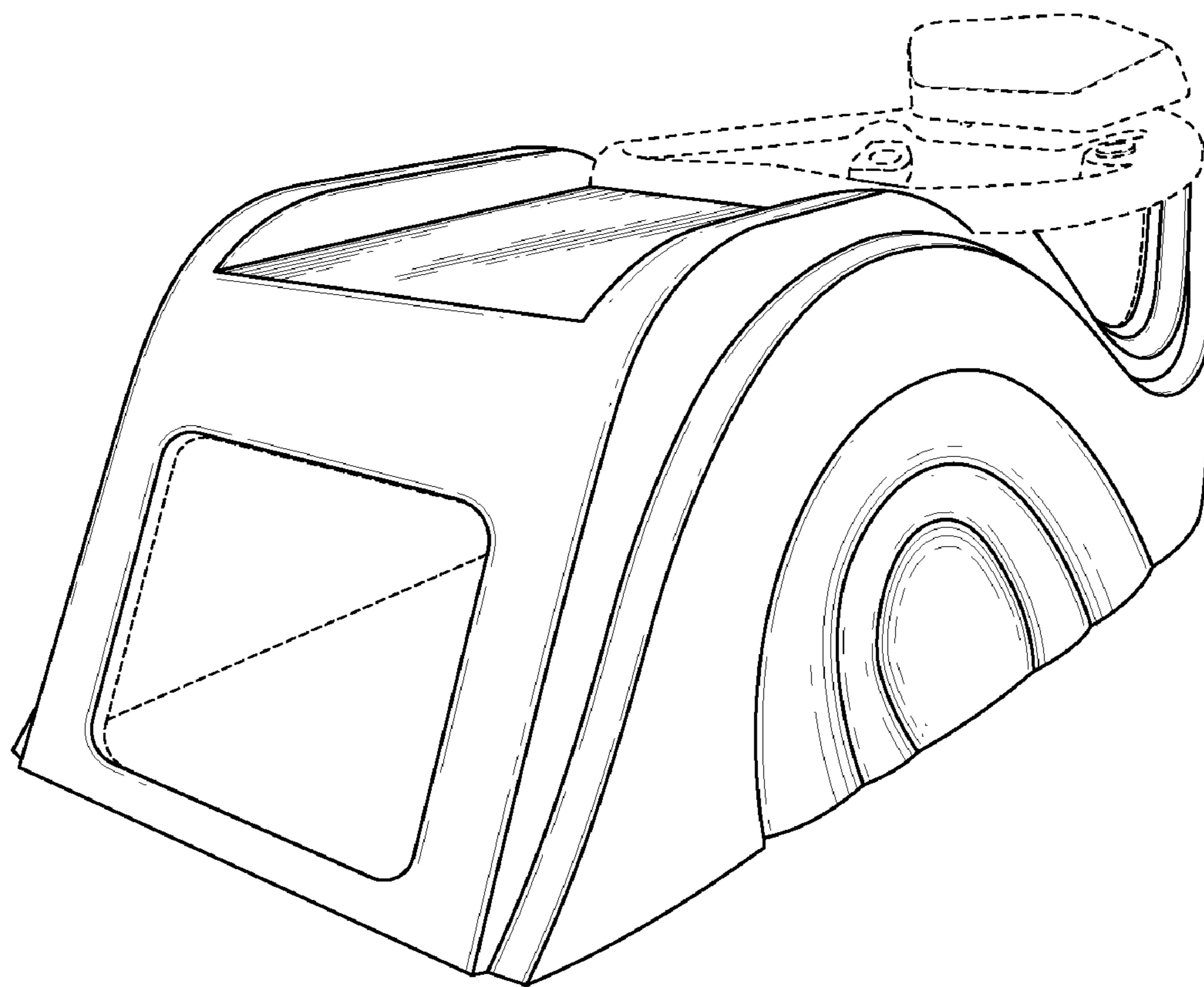


FIG. 9