



US00D588704S

(12) **United States Design Patent**
Duplessie

(10) **Patent No.:** **US D588,704 S**
(45) **Date of Patent:** **** Mar. 17, 2009**

(54) **RESTRAINT MITT**
(76) Inventor: **Ronald F Duplessie**, 3190 Warren,
Waterford, MI (US) 48329
(**) Term: **14 Years**
(21) Appl. No.: **29/317,040**
(22) Filed: **Apr. 22, 2008**
(51) **LOC (9) Cl.** **24-01**
(52) **U.S. Cl.** **D24/190; D29/113**
(58) **Field of Classification Search** D24/124,
D24/188-190; D28/63; D29/113-114, 118-119;
D2/16, 610-623, 861-864, 916; D21/406,
D21/408, 588, 600, 655; D30/106, 155;
D32/40-43; 2/16, 20, 48-52, 158, 910; 16/435;
24/3.7, 443; 128/869, 876-879, 882, DIG. 15;
602/24; 606/234-236

See application file for complete search history.

(56) **References Cited**

U.S. PATENT DOCUMENTS

272,945 A 2/1883 Chambers
273,111 A * 2/1883 Levy 2/158
288,235 A 11/1883 Hanstein
333,016 A 12/1885 Kromer
981,192 A * 1/1911 Hollingshead 15/227
1,160,023 A * 11/1915 White 441/58
1,413,967 A * 4/1922 Clarke 441/58
2,084,183 A * 6/1937 Blendinger 128/879
2,363,697 A * 11/1944 Schirmer 401/7
2,695,999 A 12/1954 Arnold
2,701,361 A * 2/1955 Depta, Jr. 2/20
3,182,657 A * 5/1965 Zurbuchen 128/879
3,403,408 A 10/1968 Helfer
3,741,207 A 6/1973 Fuson
3,774,242 A 11/1973 Owen
4,043,330 A 8/1977 Bansal
4,088,318 A * 5/1978 Massman 473/62
4,531,942 A 7/1985 Turner
4,645,251 A * 2/1987 Jacobs 294/1.3
4,862,904 A 9/1989 West et al.
4,887,616 A 12/1989 Baijnath
4,982,744 A 1/1991 Stanec
5,018,534 A 5/1991 Grant
5,083,575 A 1/1992 Jones
5,131,412 A 7/1992 Rankin

5,339,834 A 8/1994 Marcelli
5,349,966 A * 9/1994 Garcia 128/879
5,551,086 A 9/1996 Albanese
5,604,933 A 2/1997 Stephens
D381,772 S * 7/1997 Williams D28/63
5,682,905 A 11/1997 Grant
5,707,031 A * 1/1998 Creighton-Young 248/118
D427,383 S * 6/2000 Inman D29/113
D434,533 S * 11/2000 Hsieh D29/113
6,244,271 B1 6/2001 Turner et al.
6,283,126 B1 9/2001 Jessen
6,460,190 B1 * 10/2002 Blum 2/158
D486,610 S * 2/2004 Alivo, Jr. D29/120.1
6,895,971 B1 5/2005 Evans
6,949,077 B2 9/2005 Froom
7,077,142 B1 7/2006 Barany et al.

FOREIGN PATENT DOCUMENTS

GB 2265314 9/1993
WO 2005053782 6/2005

* cited by examiner

Primary Examiner—Robert M Spear
Assistant Examiner—Susan E Krakower
(74) *Attorney, Agent, or Firm*—David L King

(57) **CLAIM**

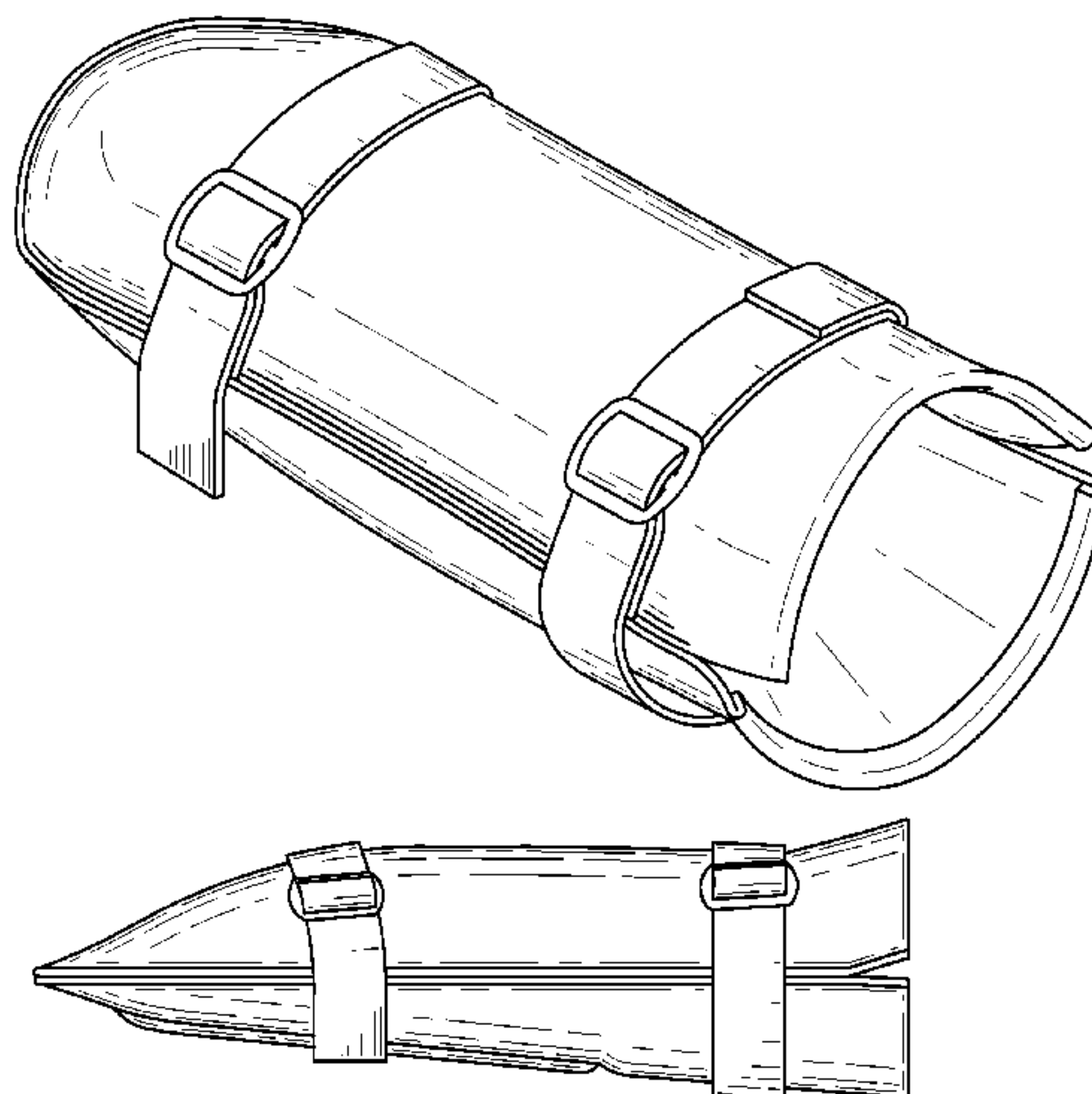
The ornamental design for a restraint mitt, as shown and described.

DESCRIPTION

FIG. 1 is a perspective view of the restraint mitt showing my new design;
FIG. 2 is a top elevational view thereof;
FIG. 3 is a first side elevational view thereof;
FIG. 4 is a second side elevational view thereof;
FIG. 5 is a bottom or palm side elevational view thereof;
FIG. 6 is a closed end view thereof;
FIG. 7 is an open end view thereof; and,
FIG. 8 is a cross sectional view thereof, taken along line 8—8 of FIG. 5.

The broken lines showing a hand in FIG. 8 illustrates environmental structure and forms no part of the claimed design.

1 Claim, 4 Drawing Sheets



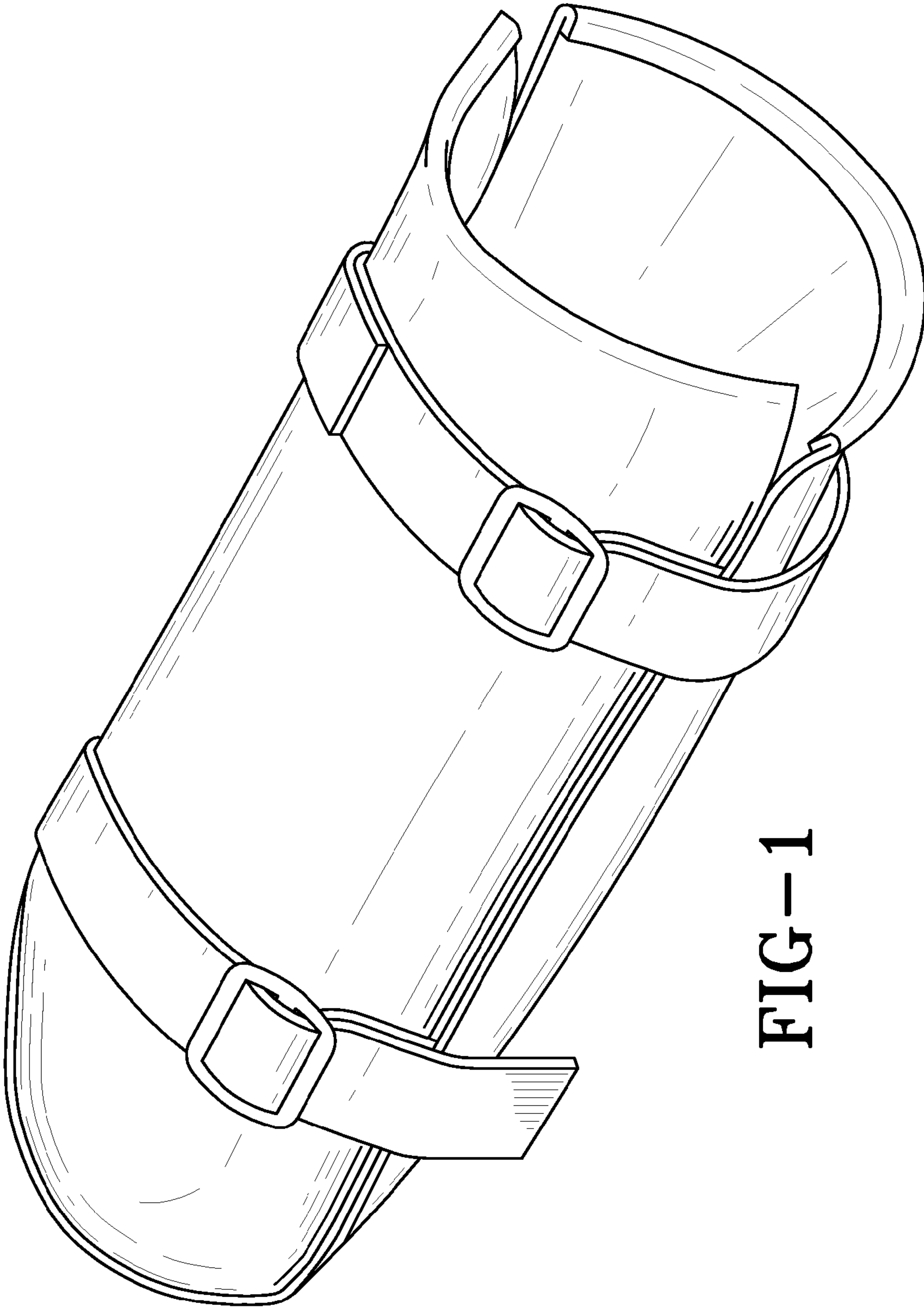


FIG-1

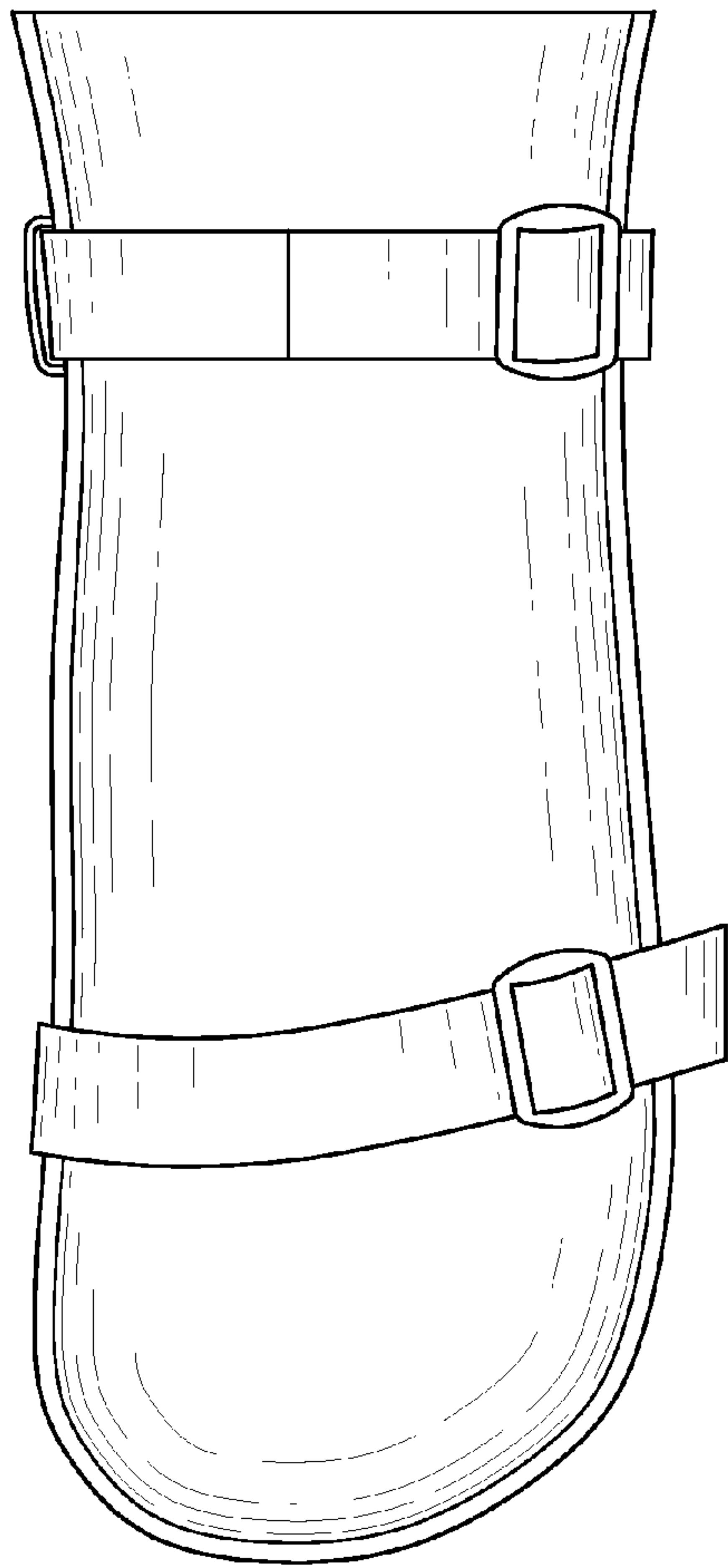


FIG-2

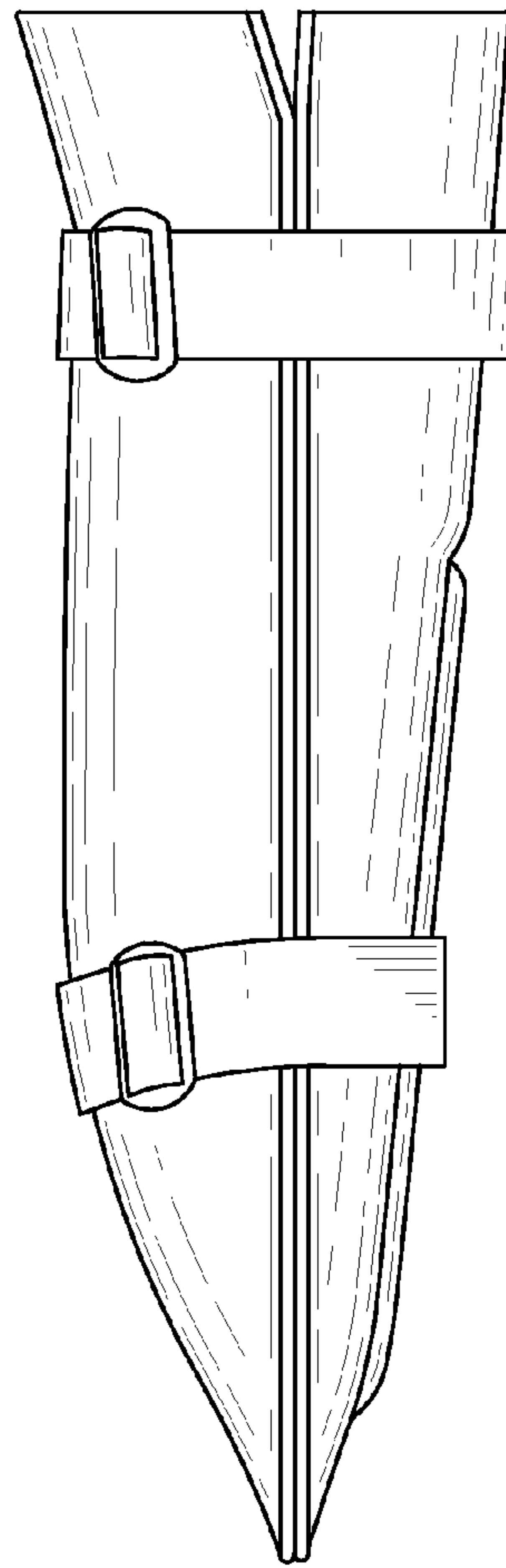


FIG-3

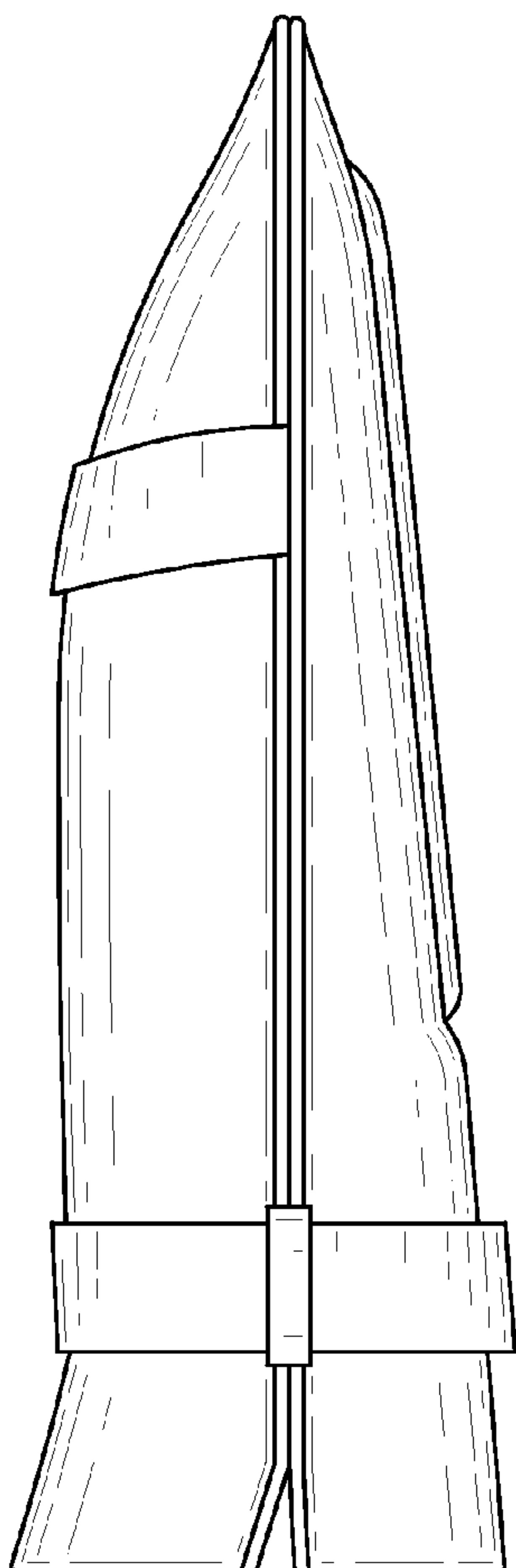


FIG-4

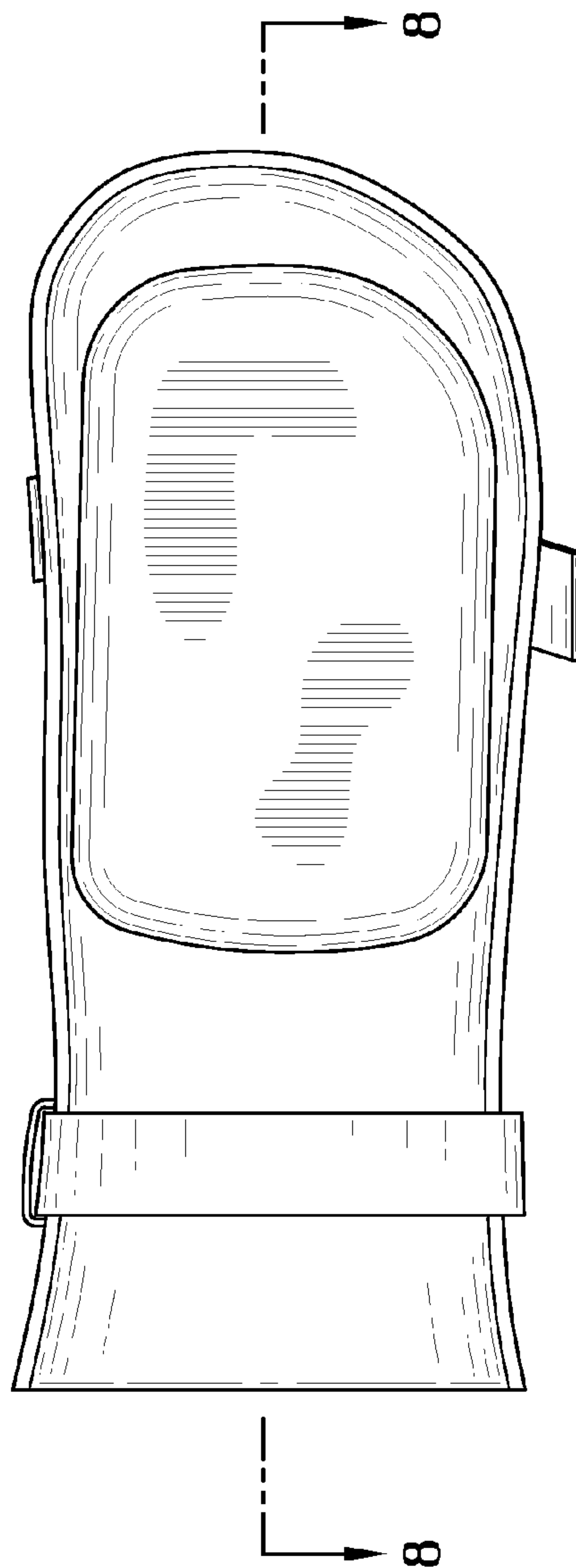


FIG-5

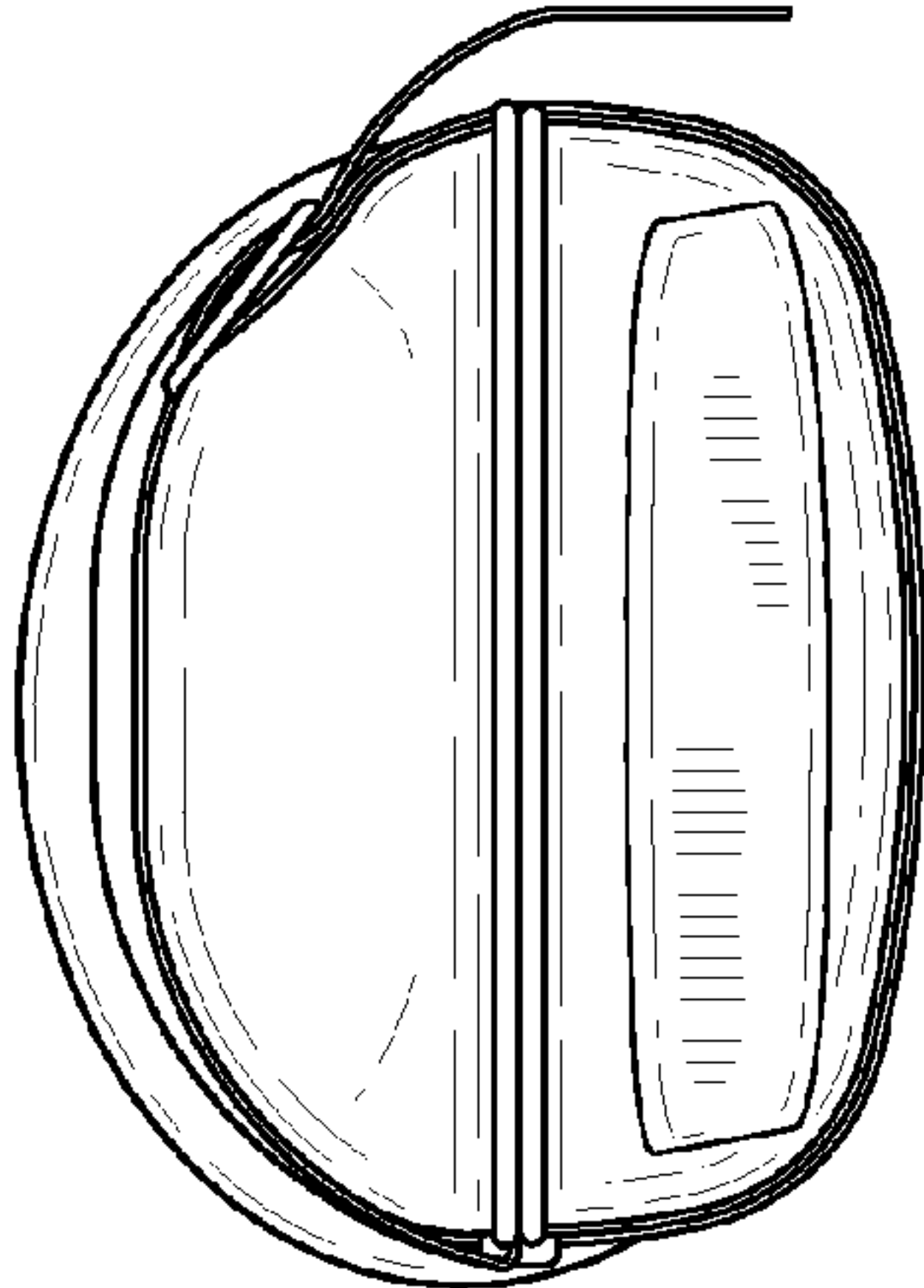


FIG-6

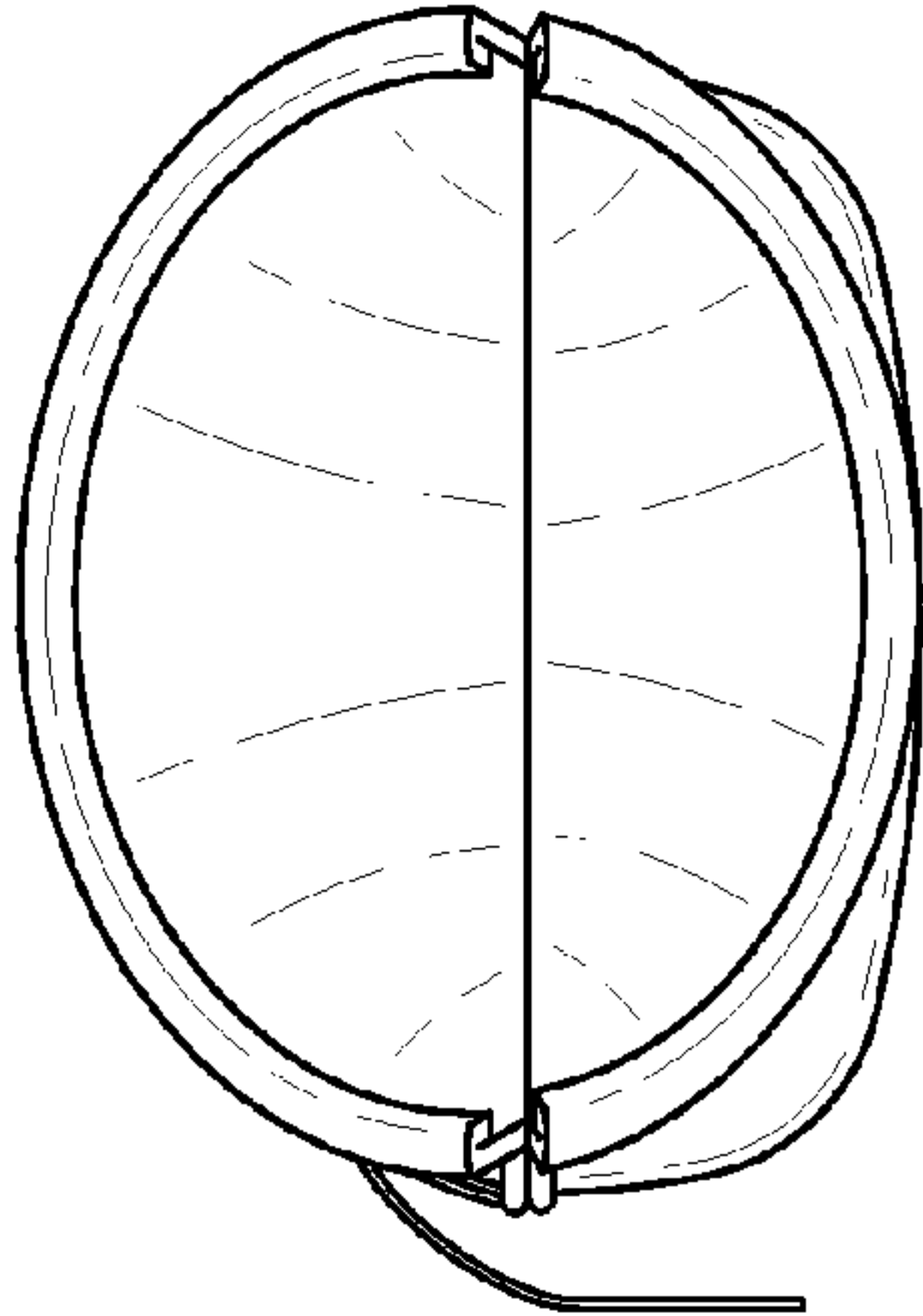


FIG-7

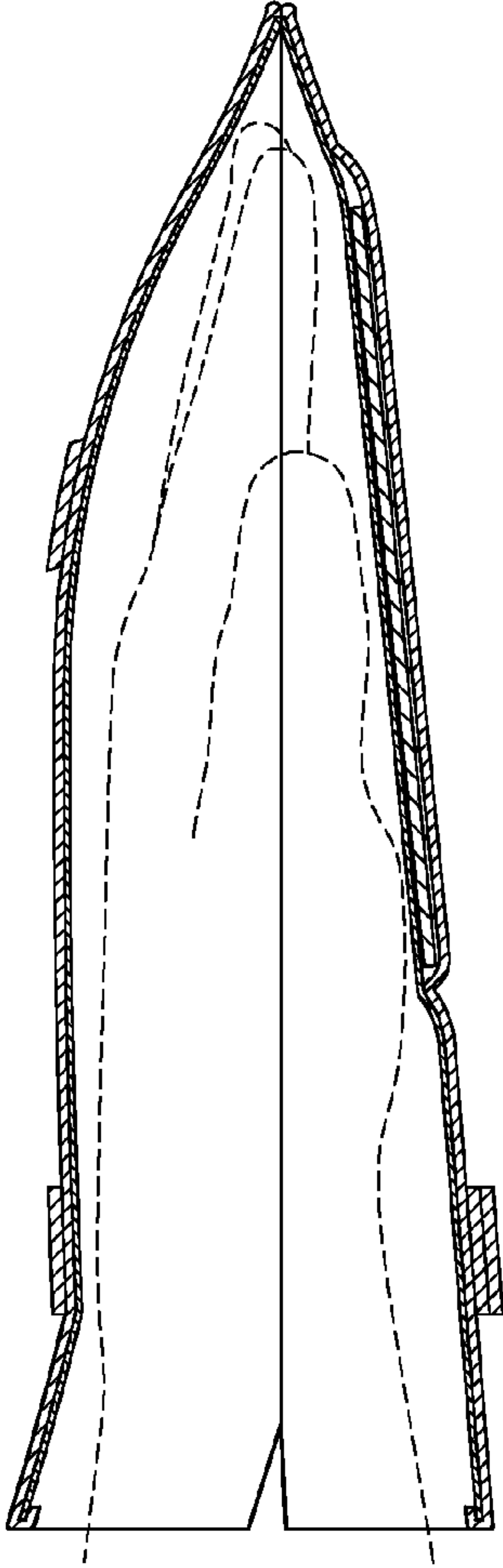


FIG-8