



US00D588702S

(12) **United States Design Patent**
Cirelli

(10) **Patent No.:** **US D588,702 S**
(45) **Date of Patent:** **** Mar. 17, 2009**

(54) **MEDICAL APPARATUS**

(75) Inventor: **Elio Cirelli**, Mirandola (IT)

(73) Assignee: **Lorenz Biotech S.p.A.**, Medolla (Modena) (IT)

(**) Term: **14 Years**

(21) Appl. No.: **29/267,839**

(22) Filed: **Oct. 23, 2006**

(30) **Foreign Application Priority Data**

Apr. 26, 2006 (EM) 2005 18279

(51) **LOC (9) Cl.** **24-04**

(52) **U.S. Cl.** **D24/188**

(58) **Field of Classification Search** D24/144,
D24/164–165, 167, 170, 183–189, 216–234;
422/56, 58, 61, 67, 68.1, 102, 104; 436/46,
436/50, 55; 600/309, 318, 322, 368, 583

See application file for complete search history.

(56) **References Cited**

U.S. PATENT DOCUMENTS

D443,693	S	*	6/2001	Shoji et al.	D24/186
D481,459	S	*	10/2003	Nahm	D24/186
D484,246	S	*	12/2003	Lee et al.	D24/186
D489,722	S	*	5/2004	Matuschek	D14/388
D490,516	S	*	5/2004	Takahashi et al.	D24/107
D491,270	S	*	6/2004	Barker	D24/186
D508,565	S	*	8/2005	Nephtin et al.	D24/186
D510,625	S	*	10/2005	Widener et al.	D24/186
D512,151	S	*	11/2005	Ward et al.	D24/186
D516,217	S	*	2/2006	Brown et al.	D24/186
D522,657	S	*	6/2006	Murphy et al.	D24/186
D526,063	S	*	8/2006	Widener et al.	D24/186
D535,031	S	*	1/2007	Barrett et al.	D24/186
D536,793	S	*	2/2007	Assad et al.	D24/185
D536,794	S	*	2/2007	Knieriem et al.	D24/186
D544,605	S	*	6/2007	Gumisawa et al.	D24/186
D545,433	S	*	6/2007	Messerly et al.	D24/158
D545,438	S	*	6/2007	Huang et al.	D24/186
D545,439	S	*	6/2007	Draudt et al.	D24/186
D546,456	S	*	7/2007	May	D24/186
D546,457	S	*	7/2007	Hannant et al.	D24/186
D546,458	S	*	7/2007	Hannant	D24/186

D546,952	S	*	7/2007	May	D24/186
D547,453	S	*	7/2007	Rogers	D24/186
D547,454	S	*	7/2007	Hsieh	D24/186

OTHER PUBLICATIONS

Aptiva™ Move is the portable and flexible choice in rehabilitation, online, Lorenz Biotech, Oct. 15, 2008 <http://www.lorenzbiotech.it/default.php?t=site&pgid=136> Oct. 15, 2008.*

* cited by examiner

Primary Examiner—Holly H Baynham

Assistant Examiner—Michelle E Wilson

(74) *Attorney, Agent, or Firm*—Collard & Roe, P.C.

(57) **CLAIM**

The ornamental design for a medical apparatus, as shown and described.

DESCRIPTION

FIG. 1 shows a front view in a closed configuration of my design for a medical apparatus;

FIG. 2 shows a left side view in a closed configuration thereof;

FIG. 3 shows a rear perspective view in a closed configuration thereof;

FIG. 4 shows a rear view in a closed configuration thereof;

FIG. 5 shows a right side view in a closed configuration thereof;

FIG. 6 shows a front side view in an open configuration thereof;

FIG. 7 shows a right side view in an open configuration thereof;

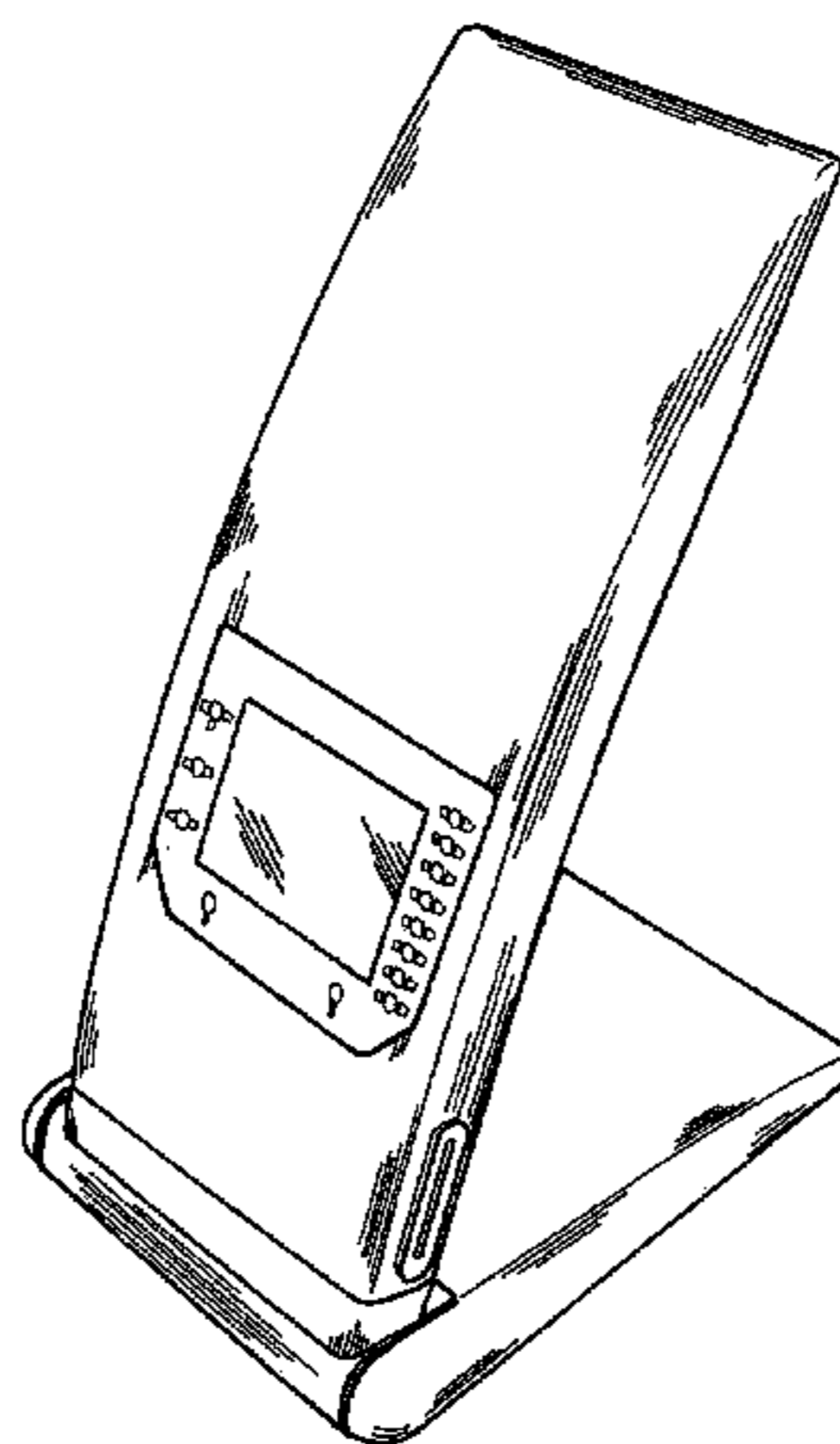
FIG. 8 shows a front perspective view in an open

FIG. 9 shows a rear view in an open configuration thereof; and,

FIG. 10 shows a left side view in an open configuration thereof.

The areas in dotted lines form no part of the invention.

1 Claim, 10 Drawing Sheets



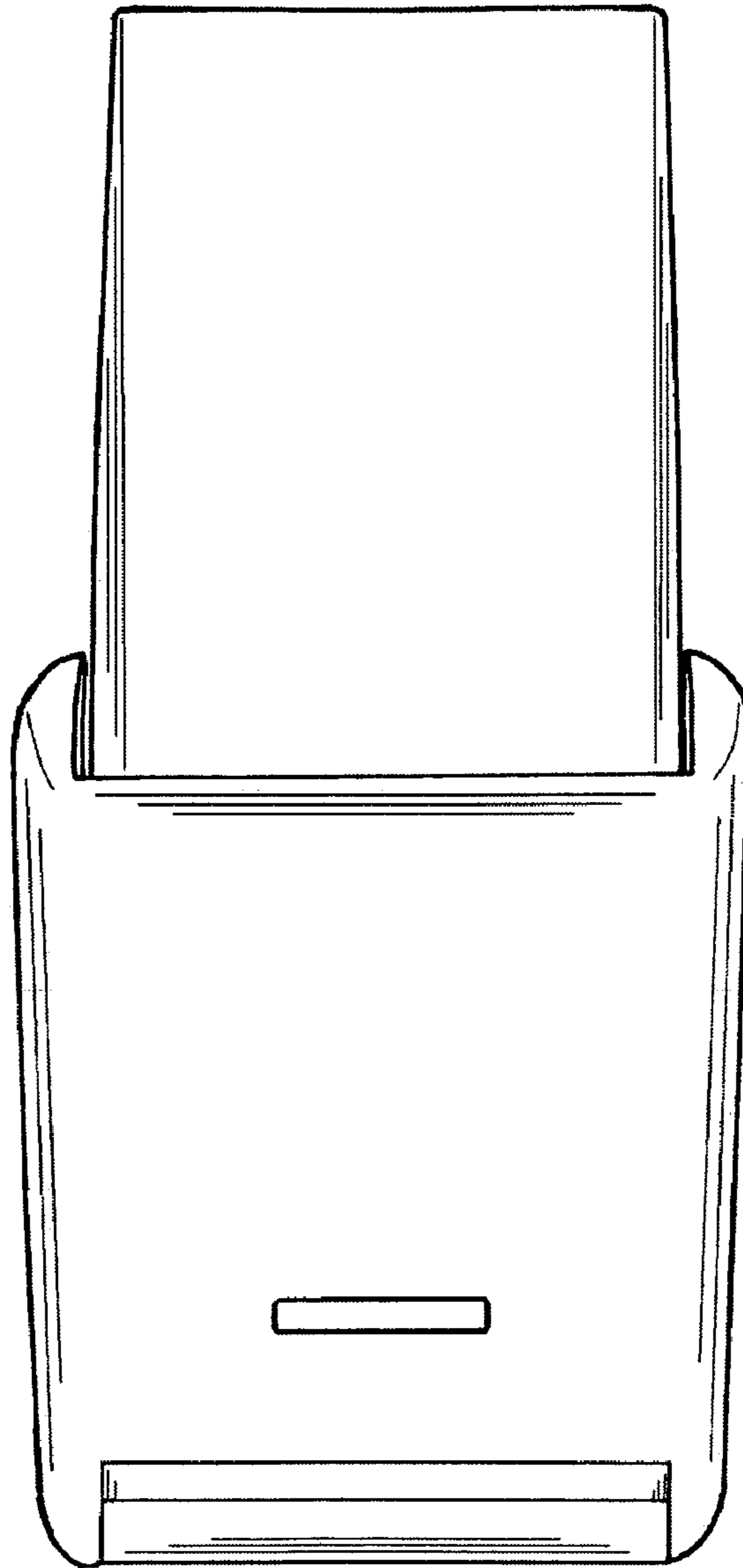


FIG. 1

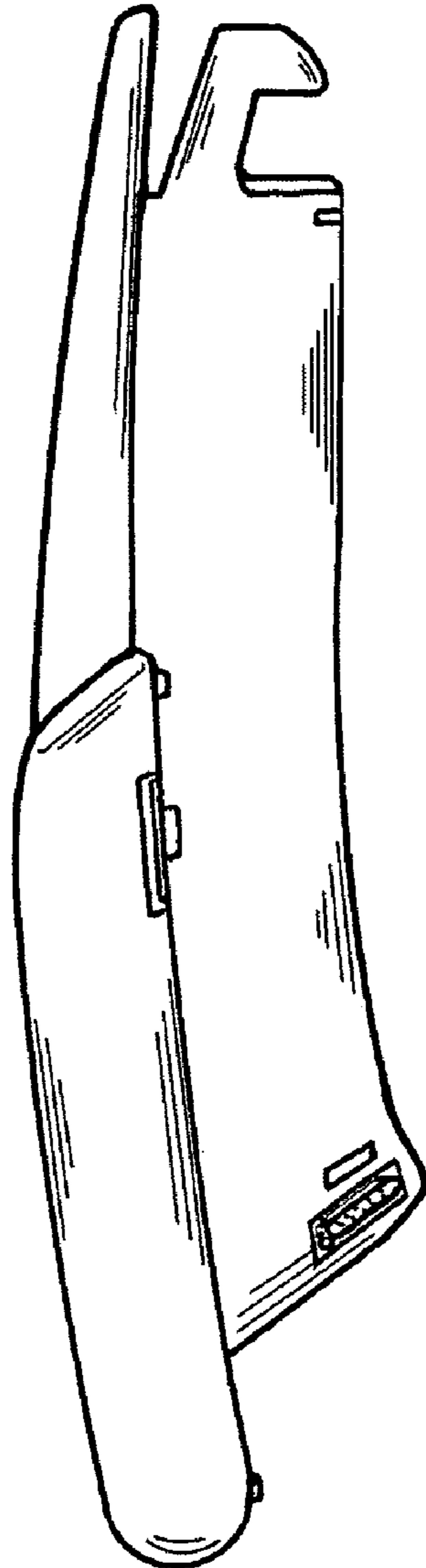


FIG. 2

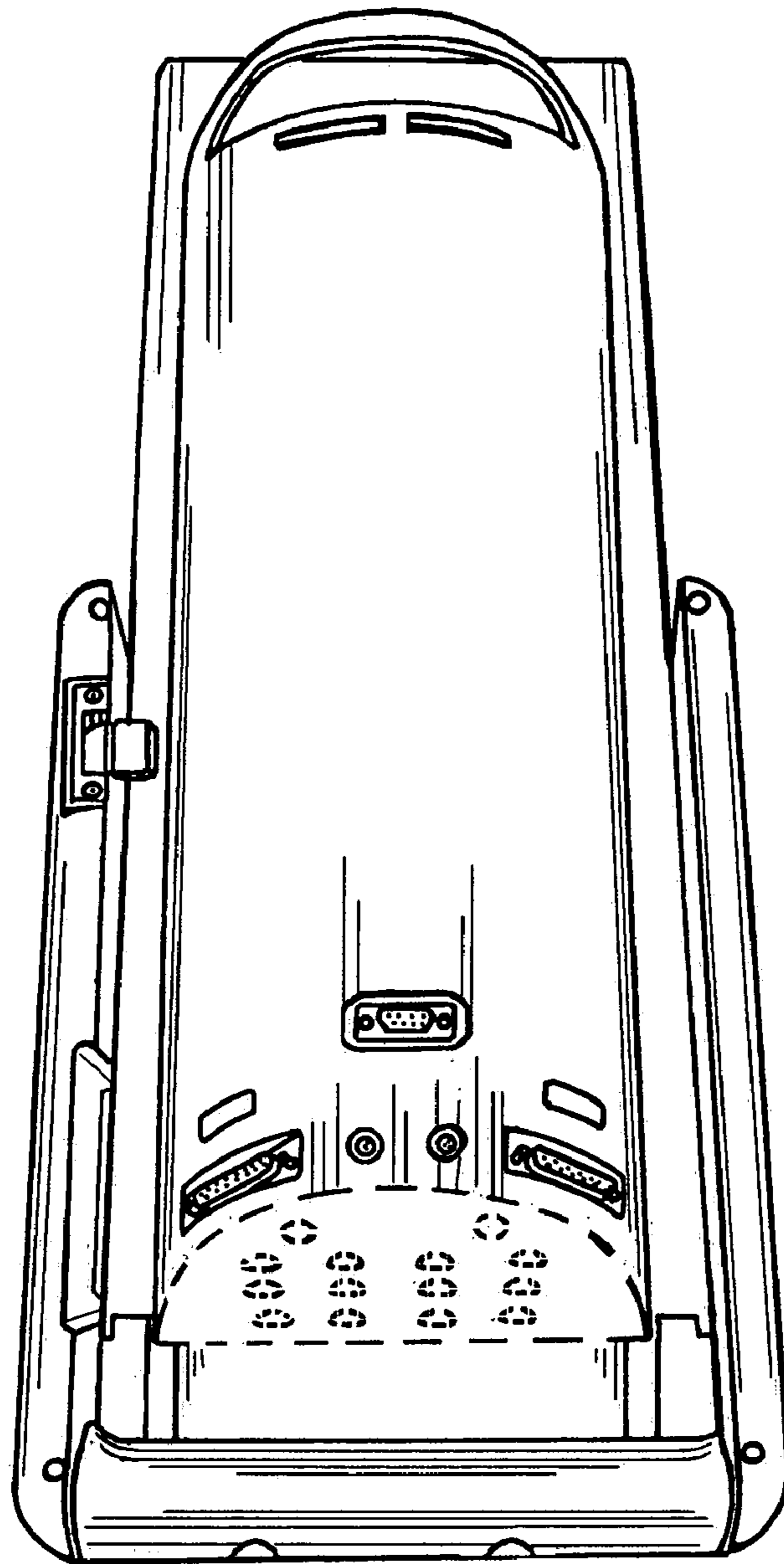


FIG. 3

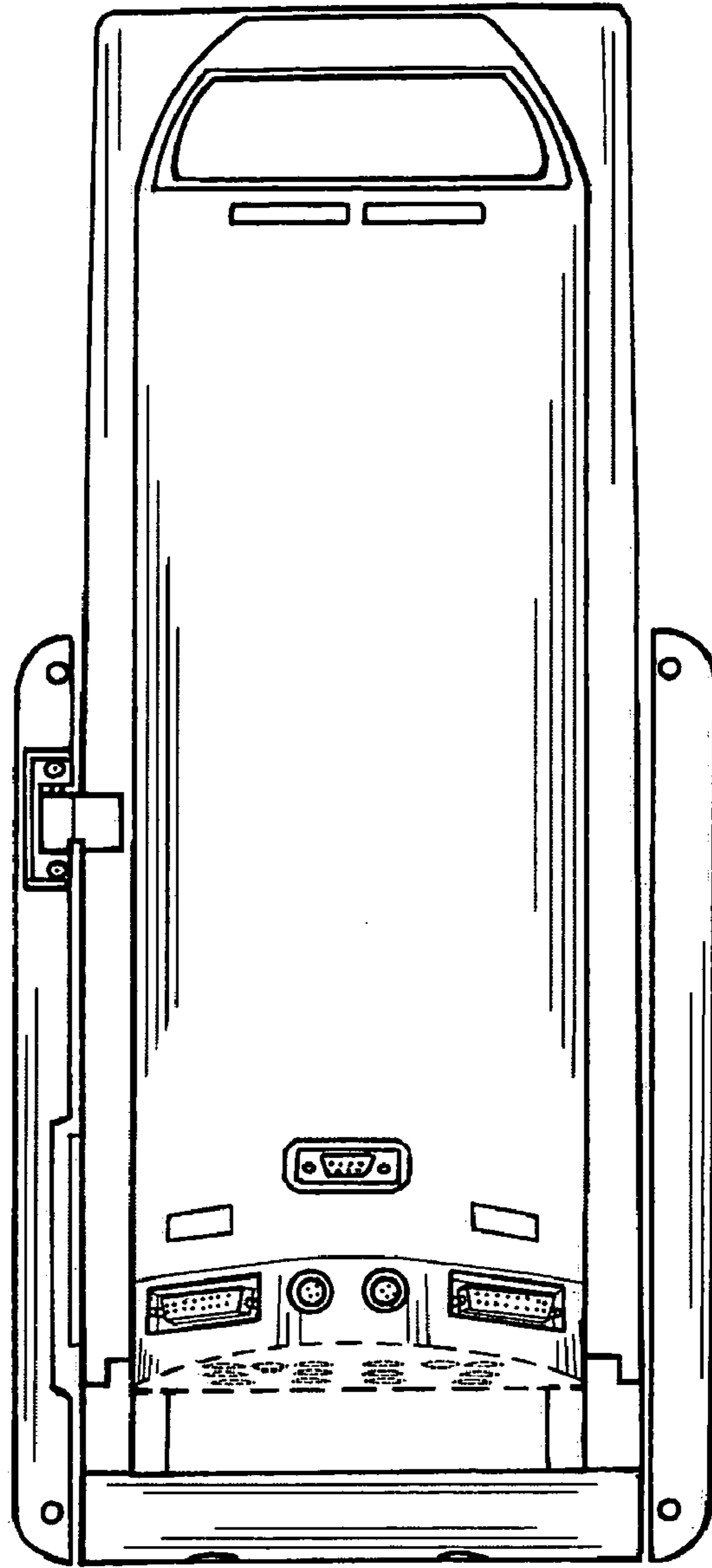


FIG. 4

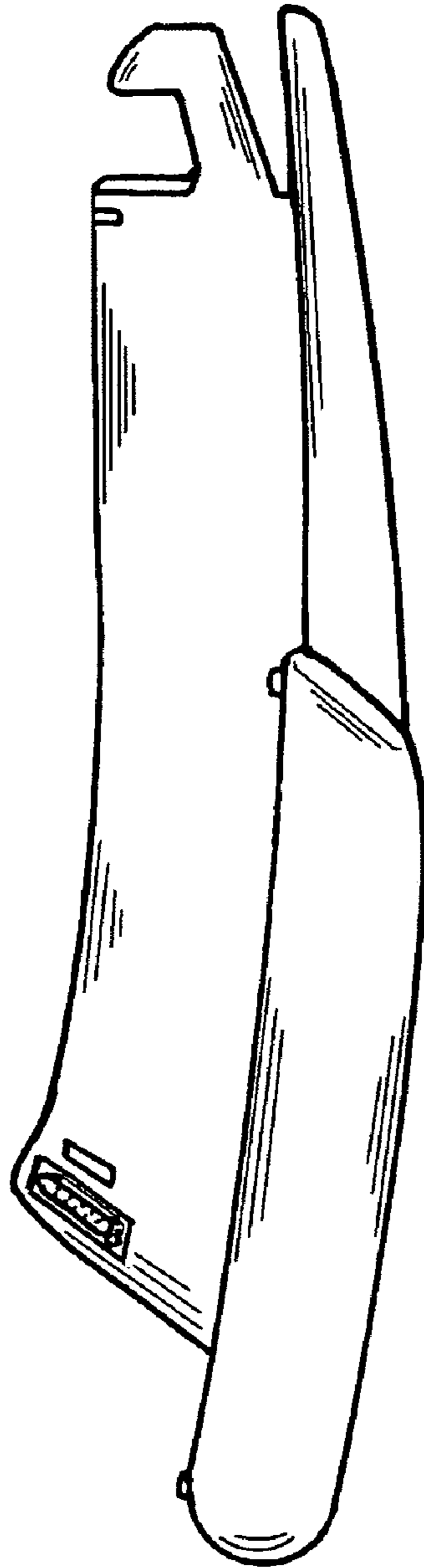


FIG. 5

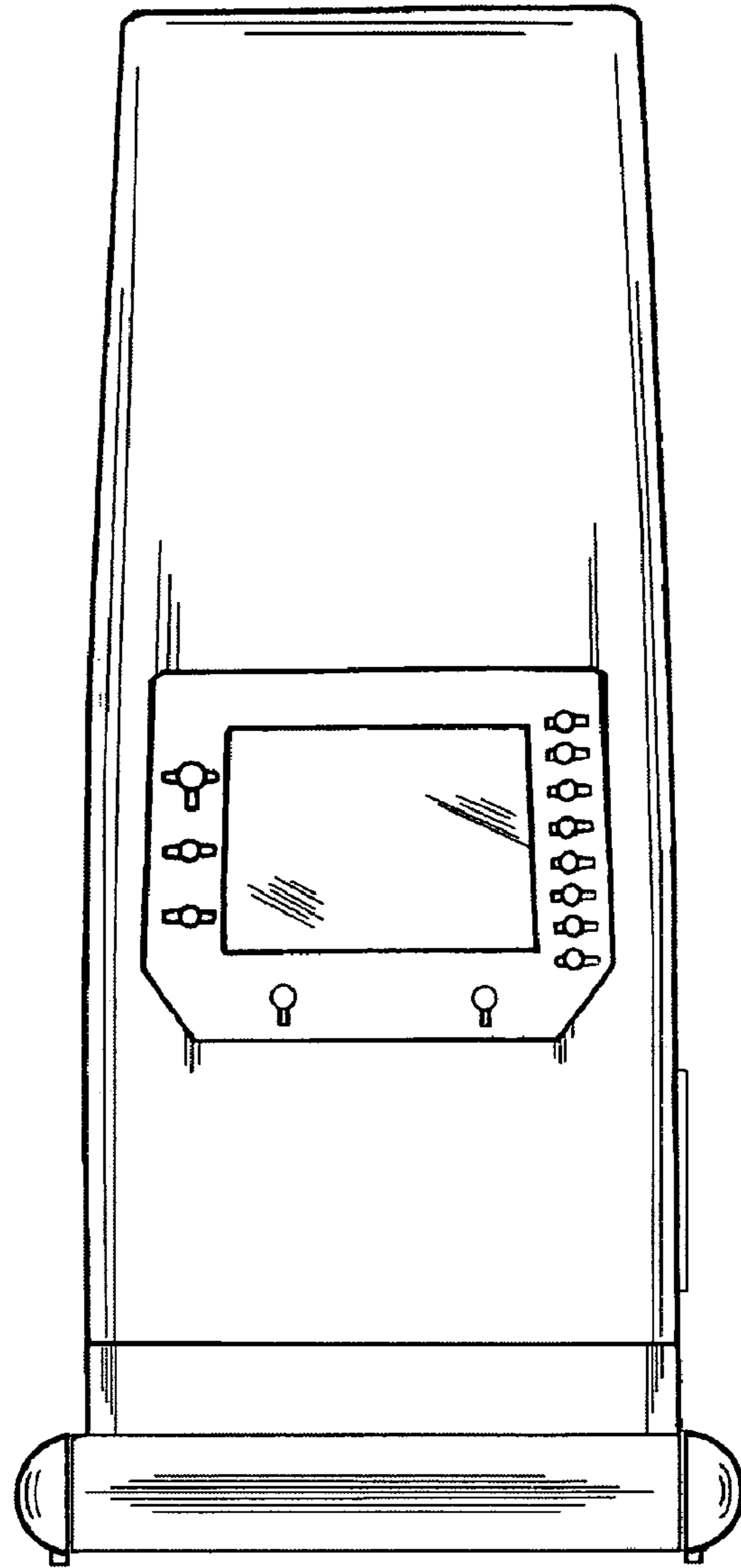


FIG. 6

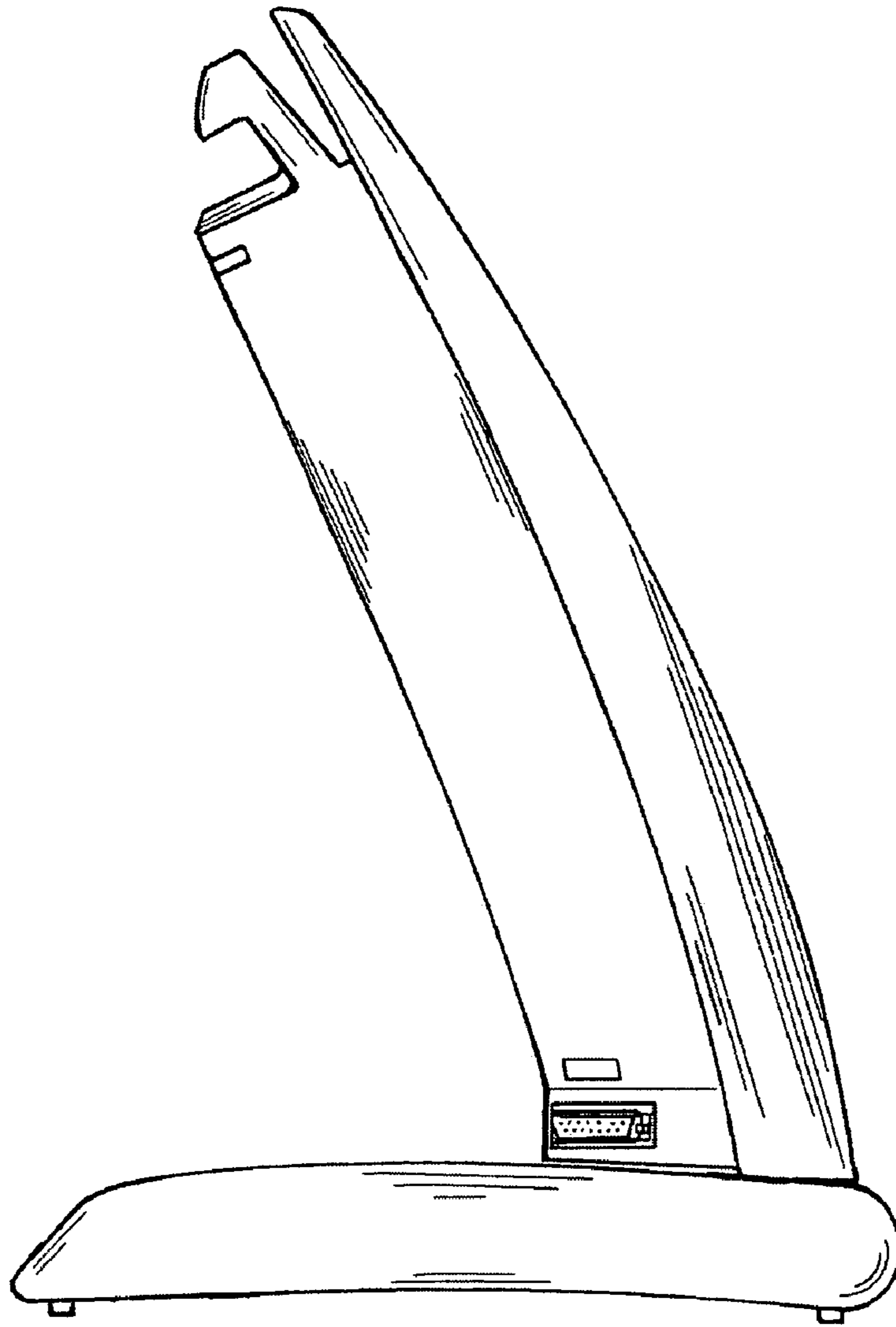


FIG. 7

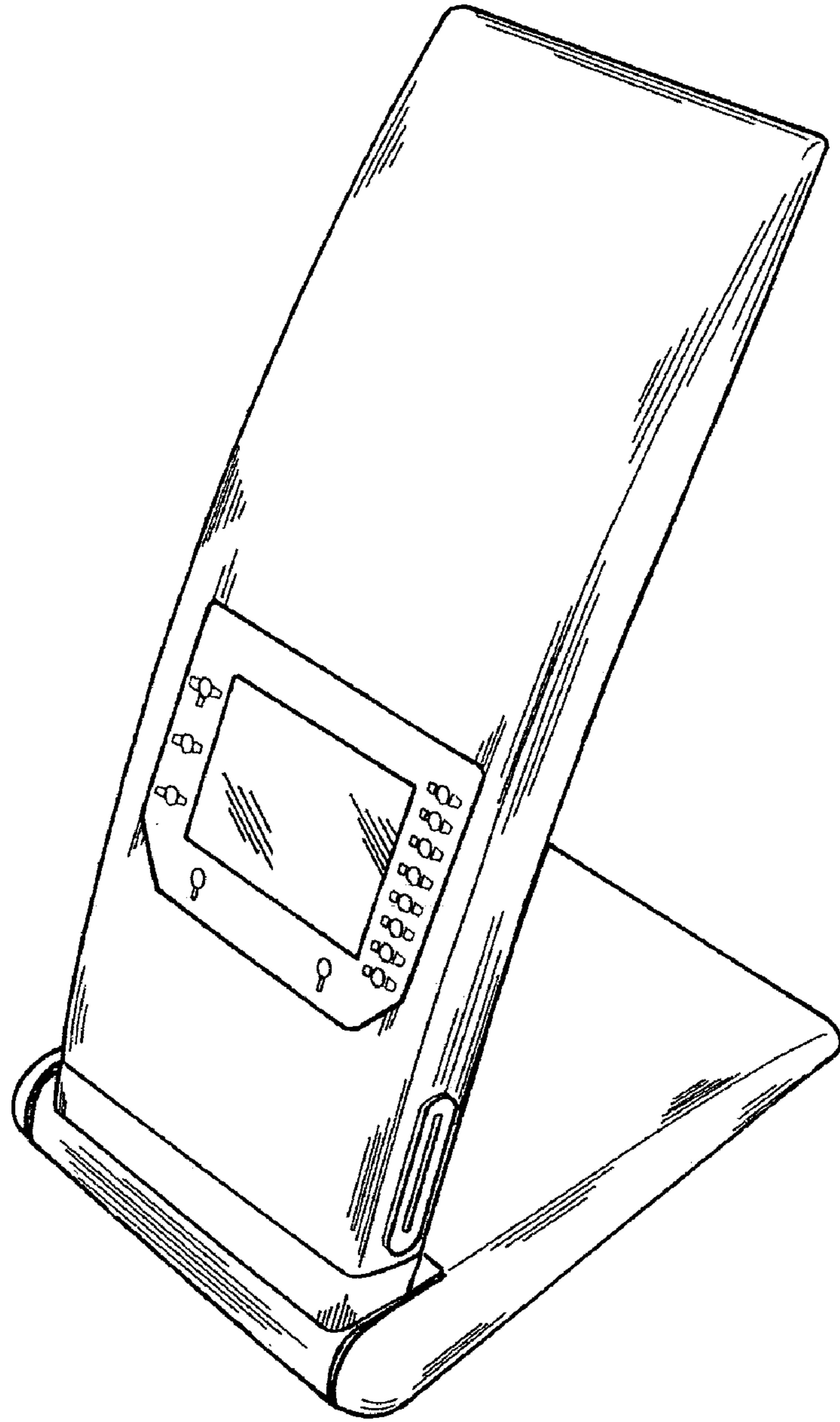


FIG. 8

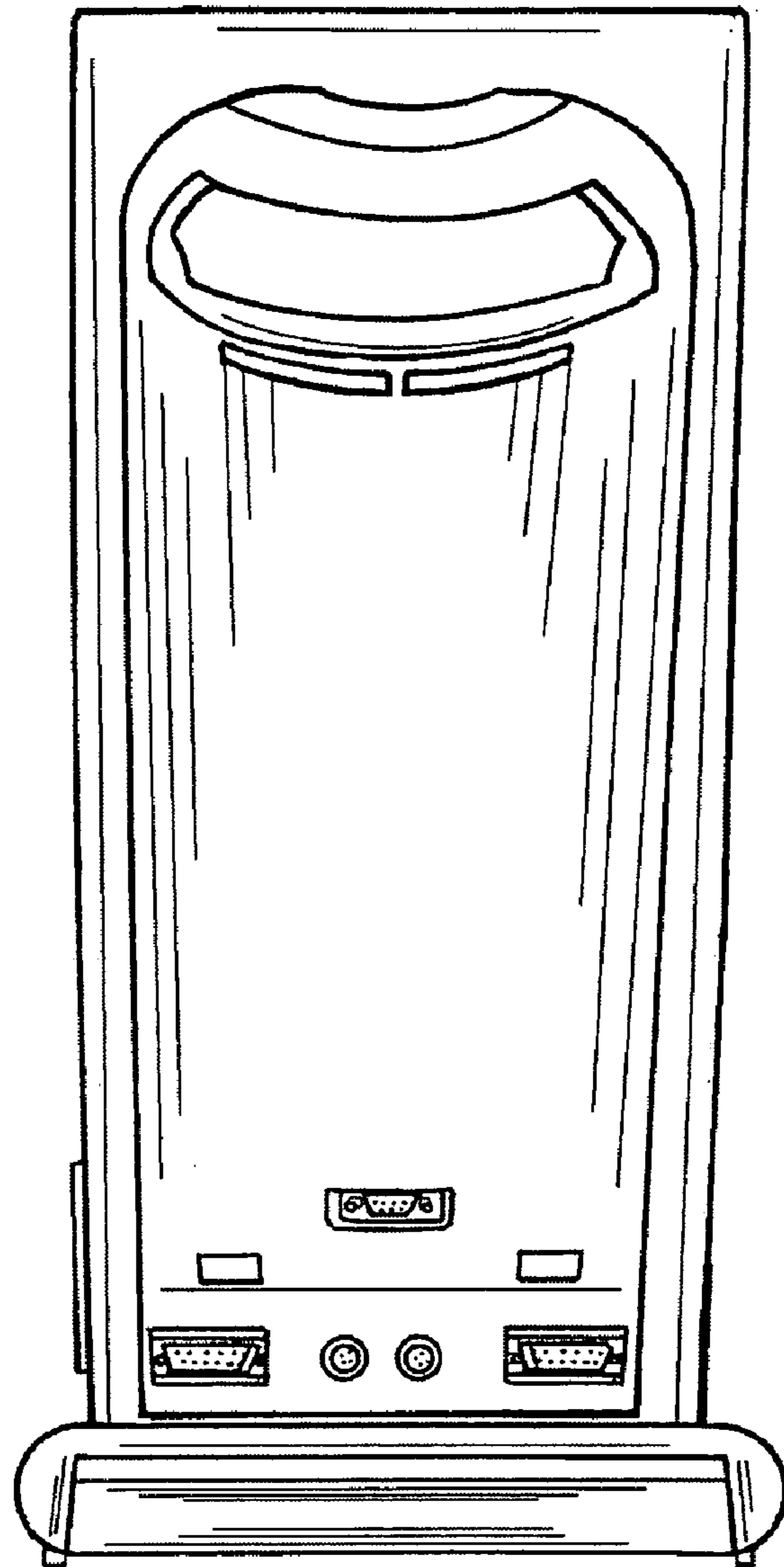


FIG. 9

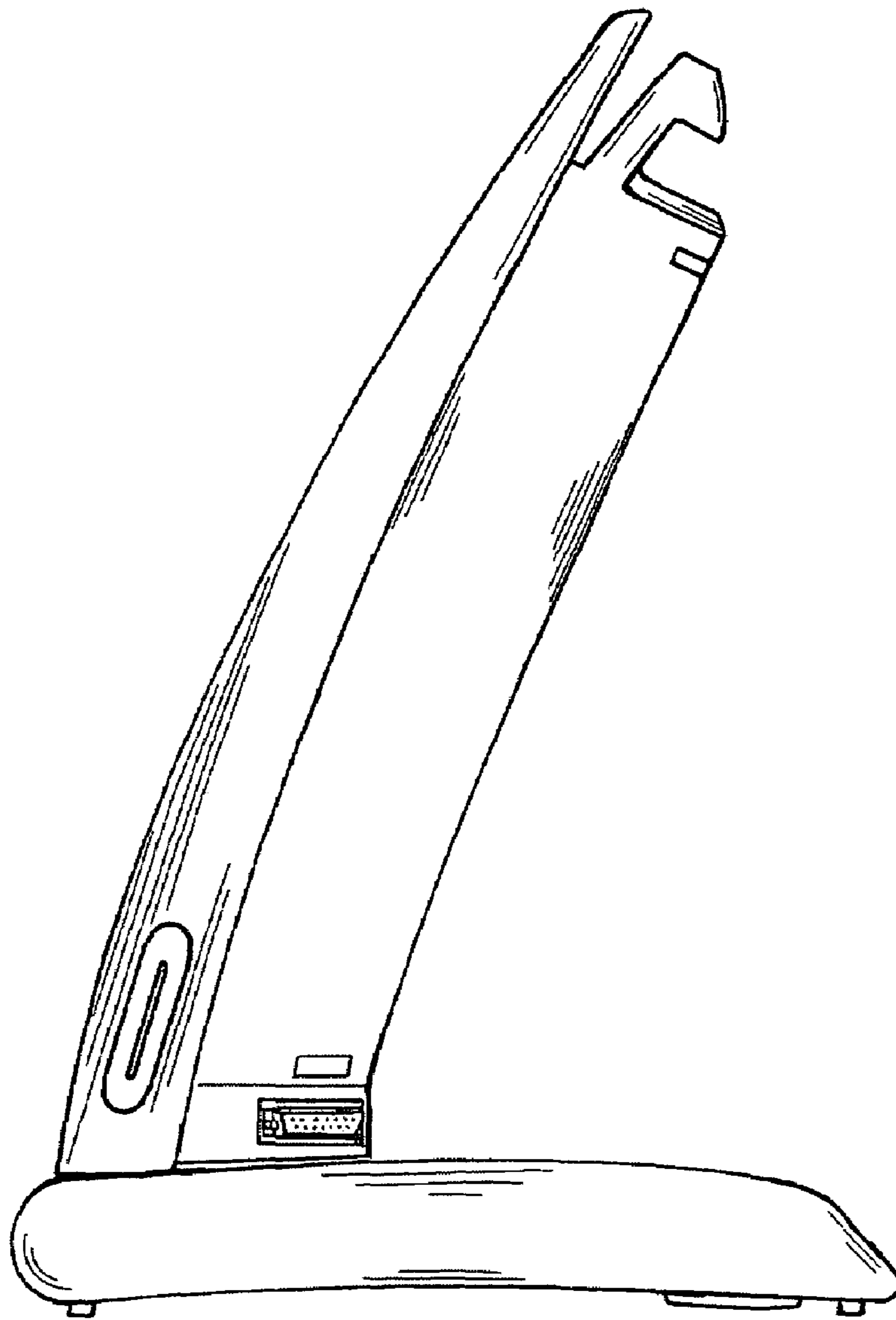


FIG. 10