



US00D588701S

(12) **United States Design Patent**
Sperry et al.

(10) **Patent No.:** **US D588,701 S**
(45) **Date of Patent:** **** Mar. 17, 2009**

(54) **CARTRIDGE FOR USE IN SOLID IMAGING**

(75) Inventors: **Charles R. Sperry**, Leeds, MA (US);
Suzanne M. Scott, Springfield, VT
(US); **Dennis F. McNamara, Jr.**,
Charlestown, NH (US); **Jason**
Rittenhour, Claremont, NH (US)

(73) Assignee: **3D Systems, Inc.**, Rock Hill, SC (US)

(**) Term: **14 Years**

(21) Appl. No.: **29/276,136**

(22) Filed: **Jan. 17, 2007**

(51) **LOC (9) Cl.** **24-01**

(52) **U.S. Cl.** **D24/158**

(58) **Field of Classification Search** D24/158-161,
D24/183, 186; 264/494, 496; 425/174.4,
425/174.6; D15/81, 85, 135; D16/246, 247,
D16/250

See application file for complete search history.

(56) **References Cited**

U.S. PATENT DOCUMENTS

D276,052 S *	10/1984	Wedel et al.	D16/246
D276,348 S *	11/1984	Thebault	D16/246
D284,654 S *	7/1986	Sandell et al.	D14/481
D397,293 S *	8/1998	Shimizu	D9/424
D469,181 S *	1/2003	Nilson et al.	D24/158

* cited by examiner

Primary Examiner—T. Chase Nelson

Assistant Examiner—Anhdao Doan

(74) *Attorney, Agent, or Firm*—William A. Simons; Keith A. Roberson

(57) **CLAIM**

The ornamental design for a cartridge for use in solid imaging, as shown and described.

DESCRIPTION

FIG. 1 is a perspective view of a cartridge depicting the new design;

FIG. 2 is a front elevation view of the cartridge for use in solid imaging;

FIG. 3 is a rear elevation view of the cartridge for use in solid imaging;

FIG. 4 is a left side elevation view of the cartridge for use in solid imaging;

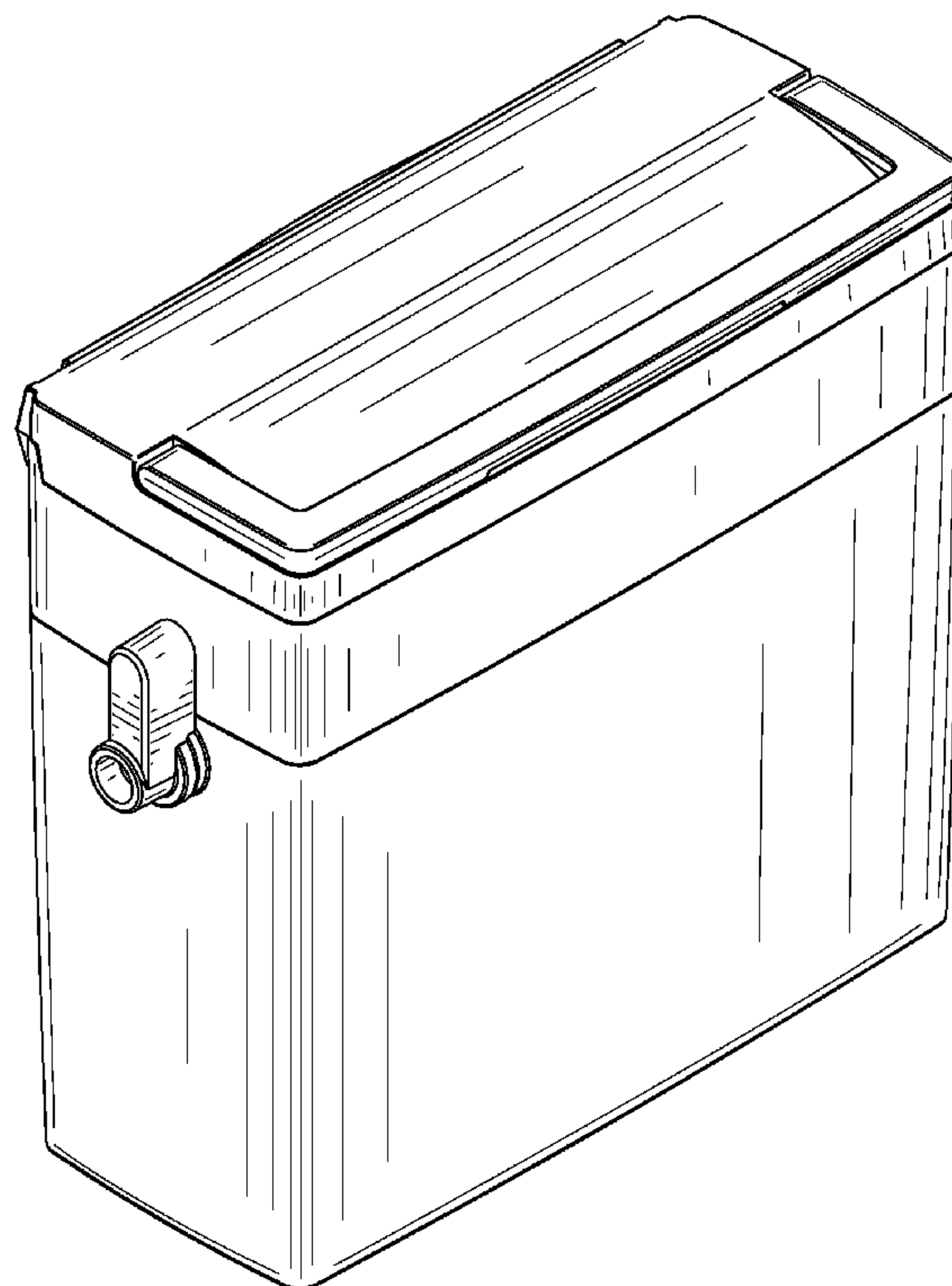
FIG. 5 is a right side elevation view of the cartridge for use in solid imaging;

FIG. 6 is a top plan view of the cartridge for use in solid imaging; and,

FIG. 7 is a bottom plan view of the cartridge for use in solid imaging.

The broken lines in FIG. 7 are included for the purpose of illustrating portions of the cartridge that form no part of the claimed design.

1 Claim, 5 Drawing Sheets



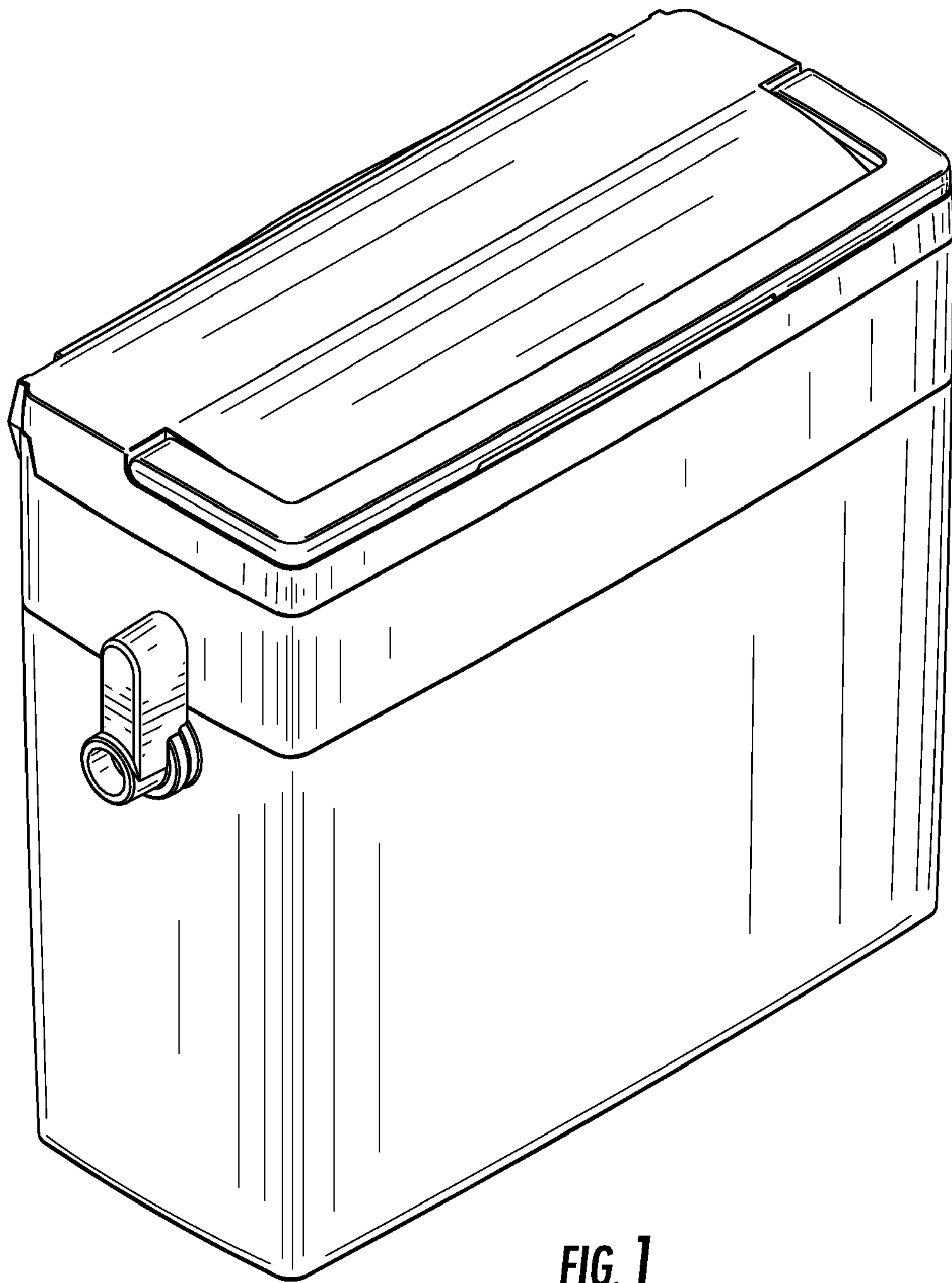


FIG. 1

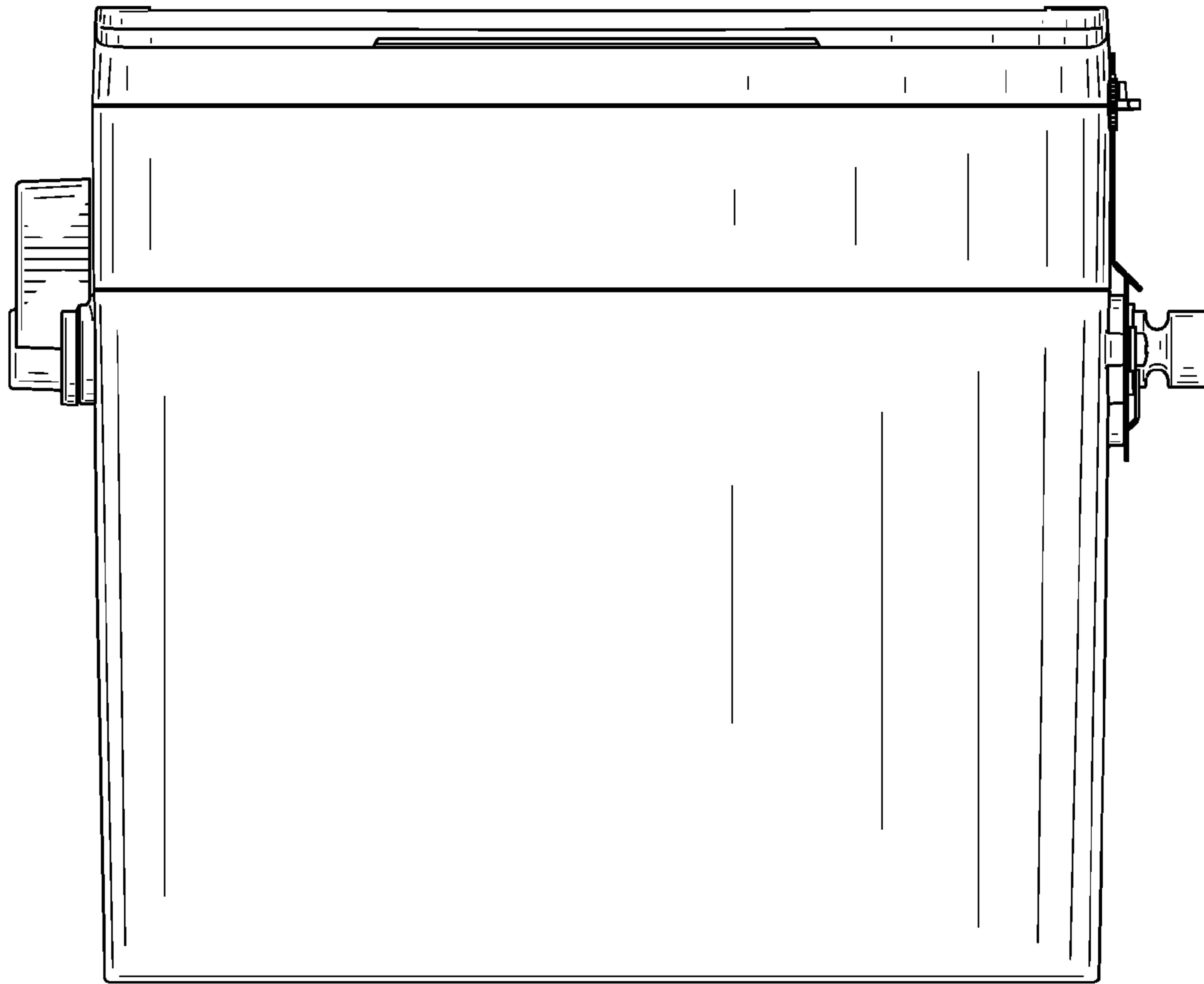


FIG. 2

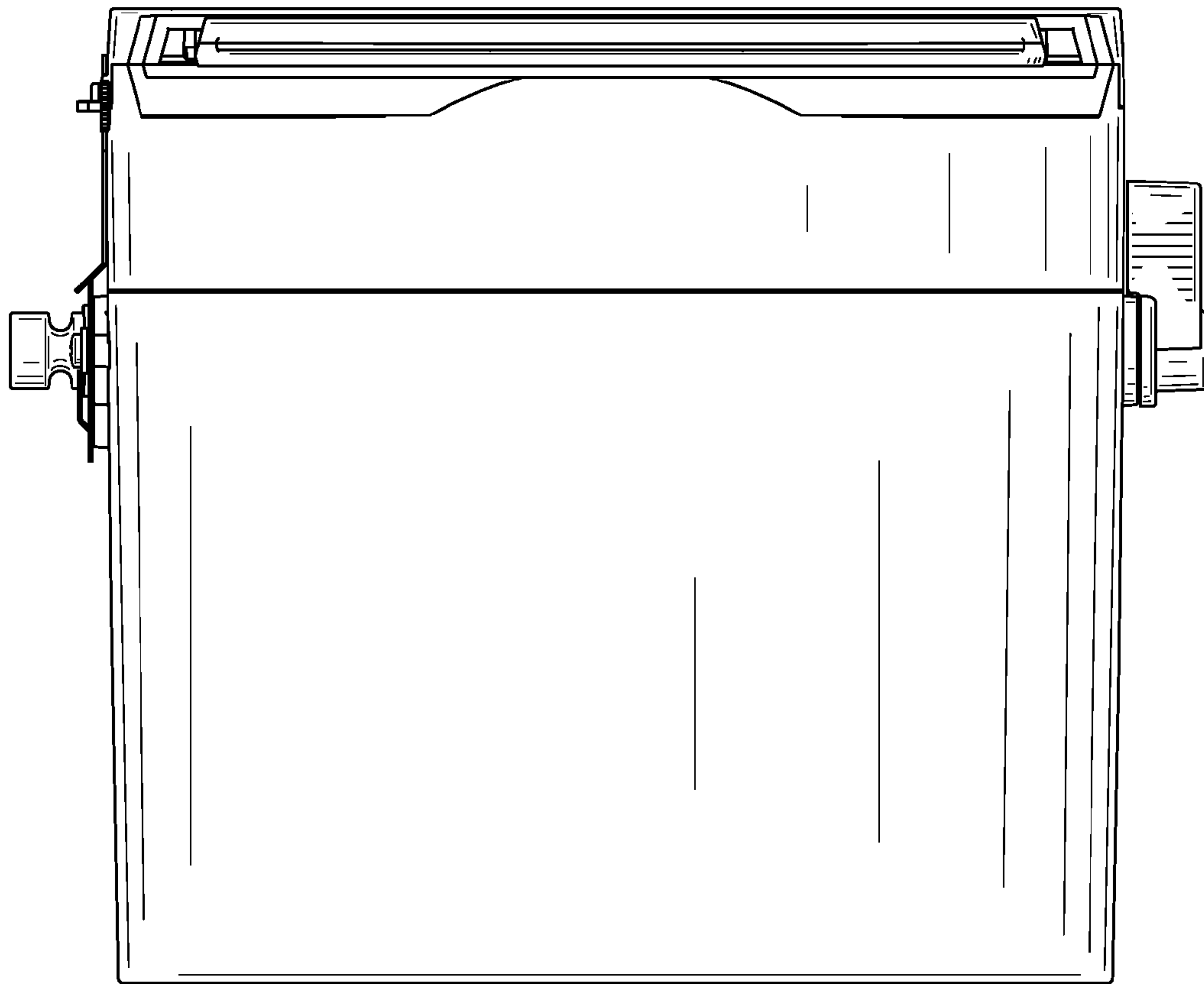


FIG. 3

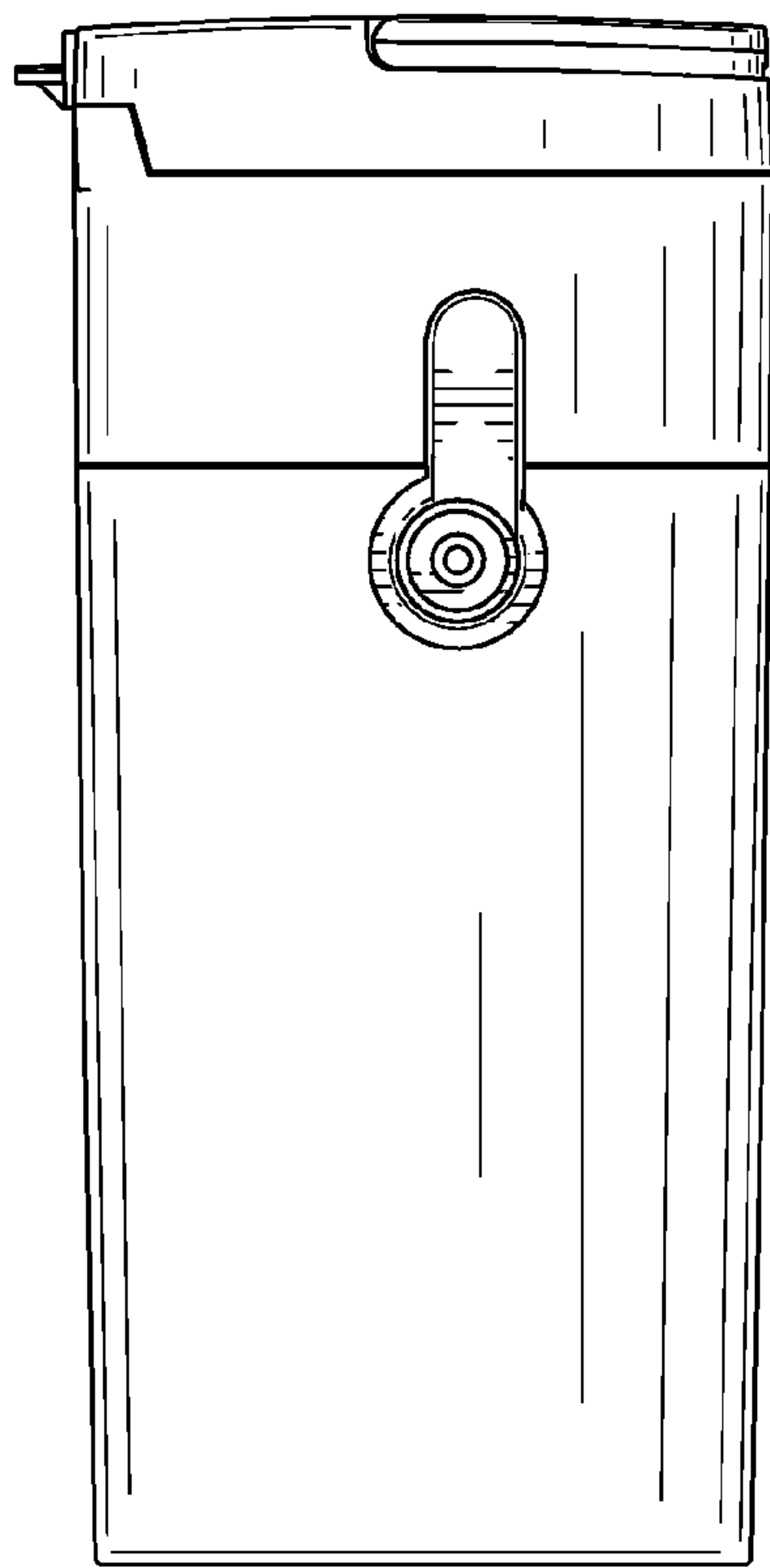


FIG. 4

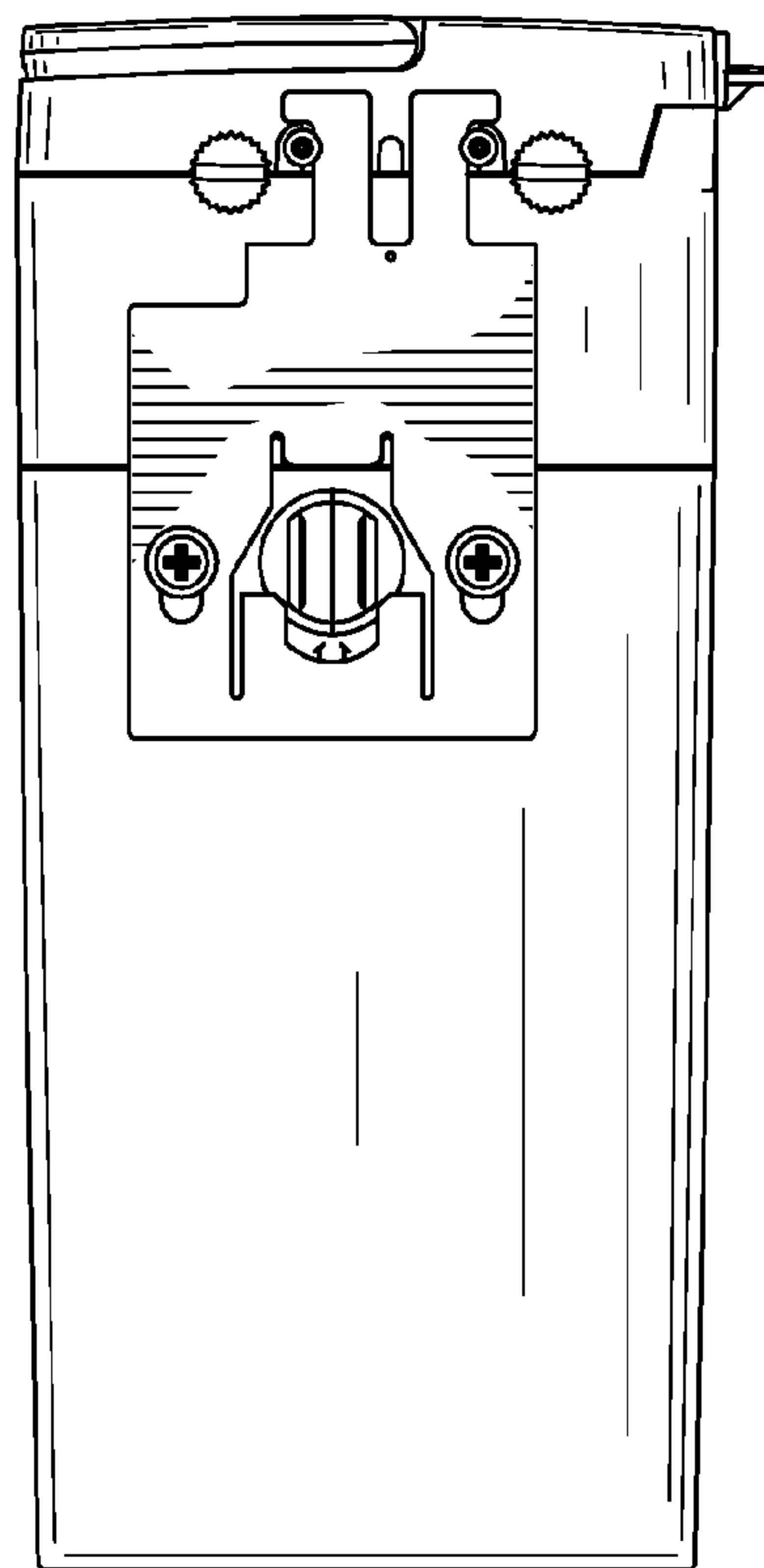


FIG. 5

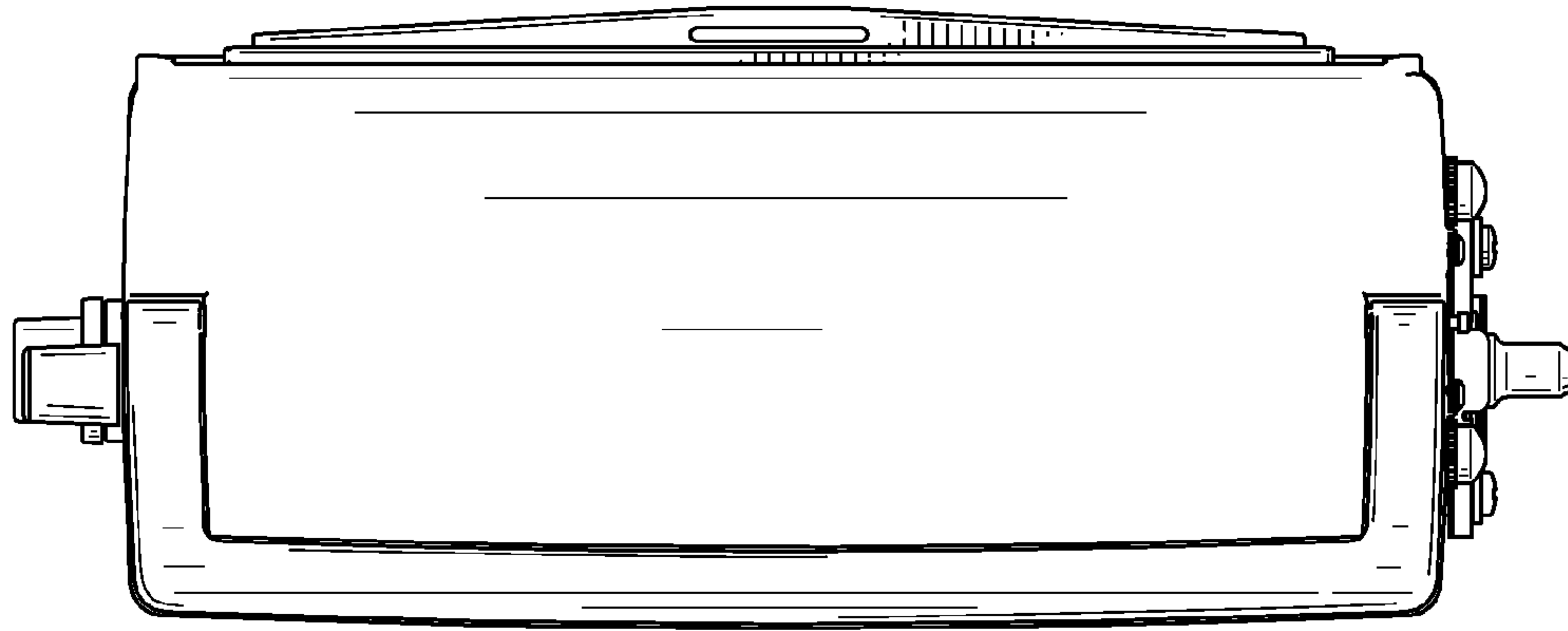


FIG. 6

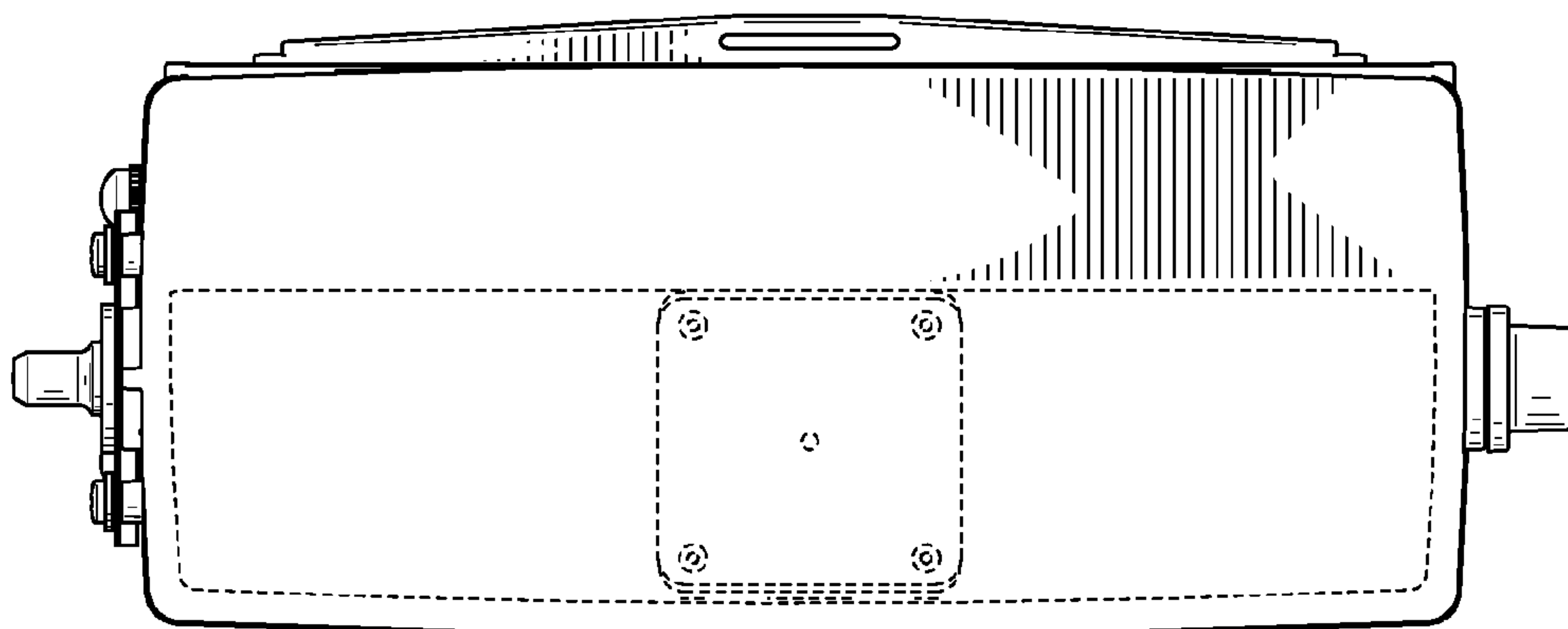


FIG. 7