



US00D588696S

(12) **United States Design Patent**
Mantle et al.

(10) **Patent No.:** **US D588,696 S**

(45) **Date of Patent:** **** Mar. 17, 2009**

(54) **CASING FOR ELECTROSTIMULATOR WITH LIGHT EMITTING DEVICE**

2008/0065056 A1* 3/2008 Powell et al. 606/9
* cited by examiner

(75) Inventors: **James M. Mantle**, Paradise Valley, AZ (US); **Carla T. Mantle**, Paradise Valley, AZ (US); **Murray E. Goodman**, Paradise Valley, AZ (US)

Primary Examiner—Ian Simmons
Assistant Examiner—Wan Laymon
(74) *Attorney, Agent, or Firm*—Schmeiser, Olsen & Watts, LLP

(73) Assignee: **Laser Health Technologies, LLC**, Paradise Valley, AZ (US)

(57) **CLAIM**

The ornamental design for a casing for electrostimulator with light emitting device, as shown.

(**) Term: **14 Years**

(21) Appl. No.: **29/280,185**

(22) Filed: **May 18, 2007**

(51) **LOC (9) Cl.** **24-02**

(52) **U.S. Cl.** **D24/144**

(58) **Field of Classification Search** D24/214,
D24/200, 158, 133, 144, 209–210; D26/37–39,
D26/48, 50; 606/1, 2, 13, 9, 32, 11–12, 27–31,
606/131; 604/289, 114, 313; 607/88–90,
607/1–2, 7, 96, 100; 362/2, 6, 611, 555,
362/800, 276

See application file for complete search history.

(56) **References Cited**

U.S. PATENT DOCUMENTS

5,304,207	A *	4/1994	Stromer	607/3
D389,915	S *	1/1998	Emerson et al.	D24/144
D433,752	S *	11/2000	Saravia	D24/144
D472,969	S *	4/2003	Wilden	D24/133
D495,076	S *	8/2004	Mandel	D26/37
2007/0217199	A1 *	9/2007	Adam et al.	362/276
2008/0009839	A1 *	1/2008	Dotson	606/4

DESCRIPTION

FIG. 1 is a side perspective view of the casing for electrostimulator with light emitting device;

FIG. 2 is a top plan view of the casing for electrostimulator with light emitting device;

FIG. 3 is a bottom plan view of the casing for electrostimulator with light emitting device;

FIG. 4 is a right side plan view of the casing for electrostimulator with light emitting device;

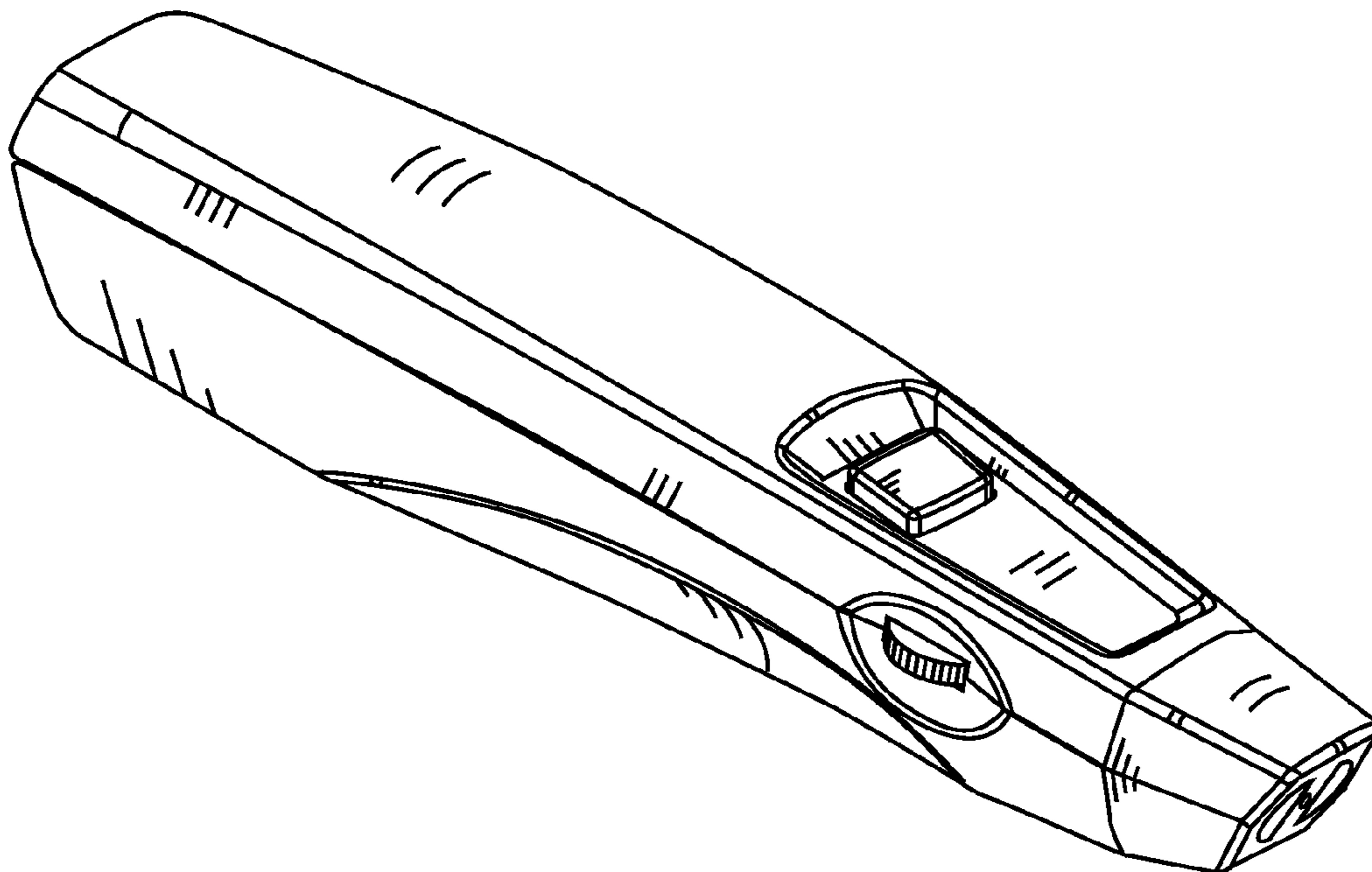
FIG. 5 is a left side plan view of the casing for electrostimulator with light emitting device;

FIG. 6 is a front plan view of the casing for electrostimulator with light emitting device; and,

FIG. 7 is a rear plan view of the casing for electrostimulator with light emitting device.

The broken lines in FIGS. 3 and 7 are included for the purpose of illustrating a portion of the casing for electrostimulator with light emitting device that forms no part of the claimed design.

1 Claim, 3 Drawing Sheets



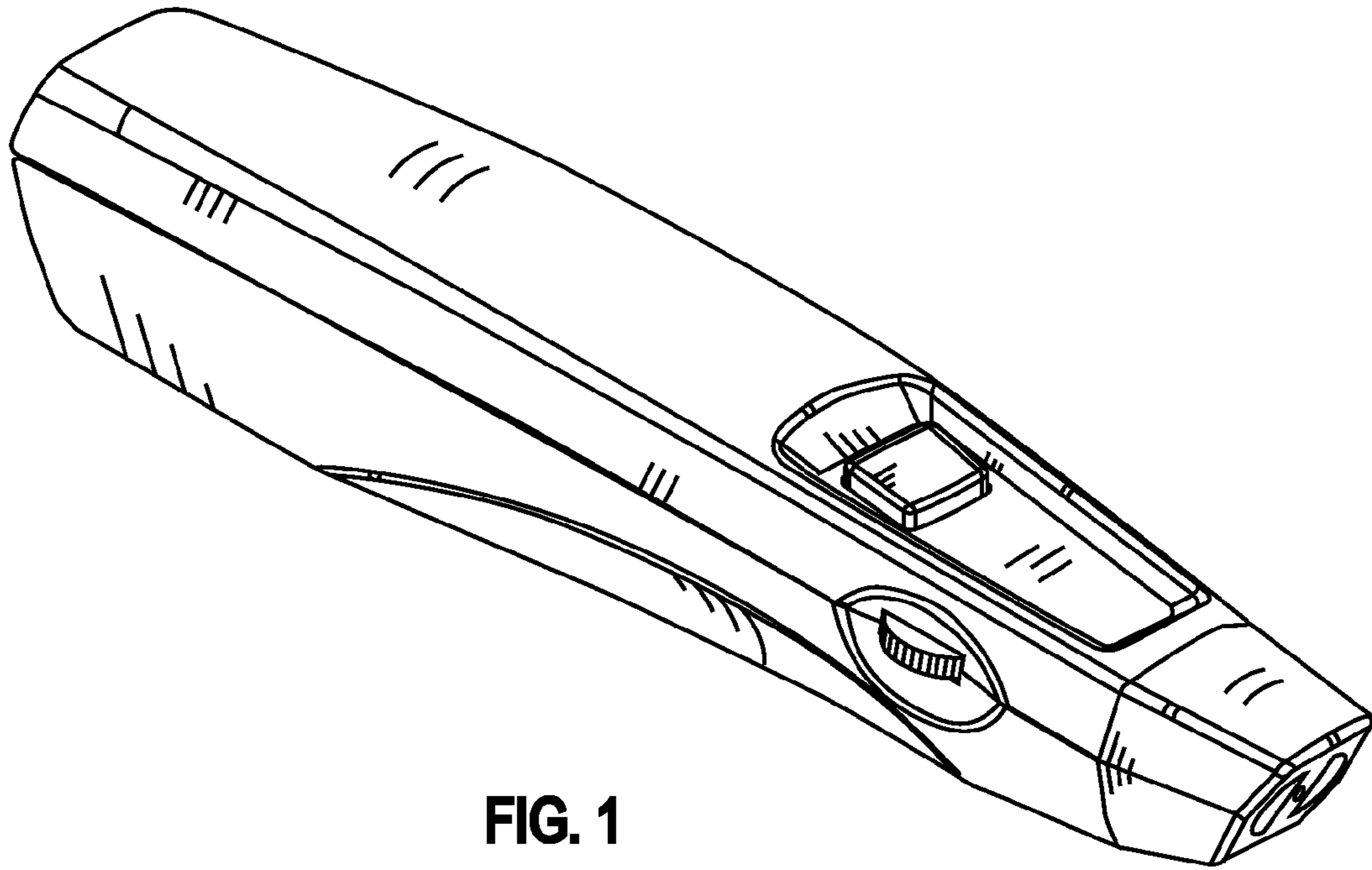


FIG. 1

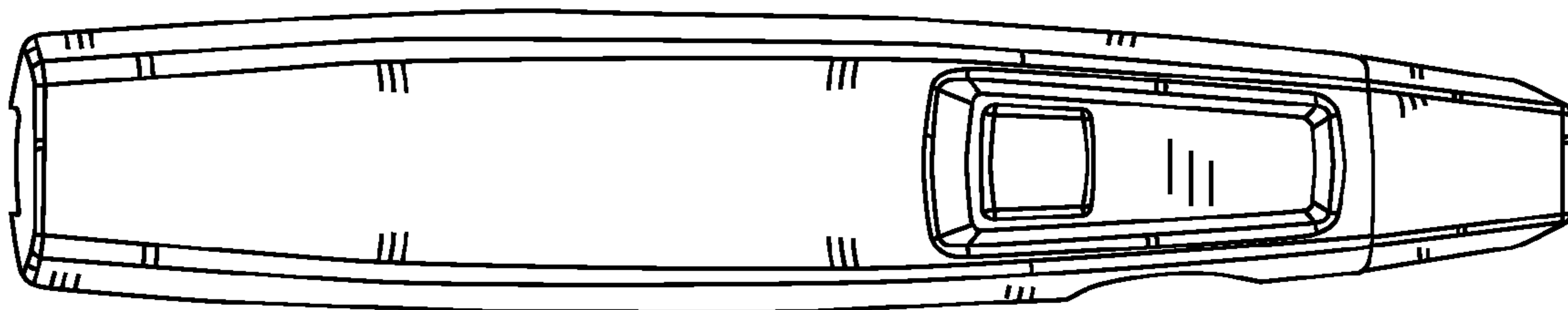


FIG. 2

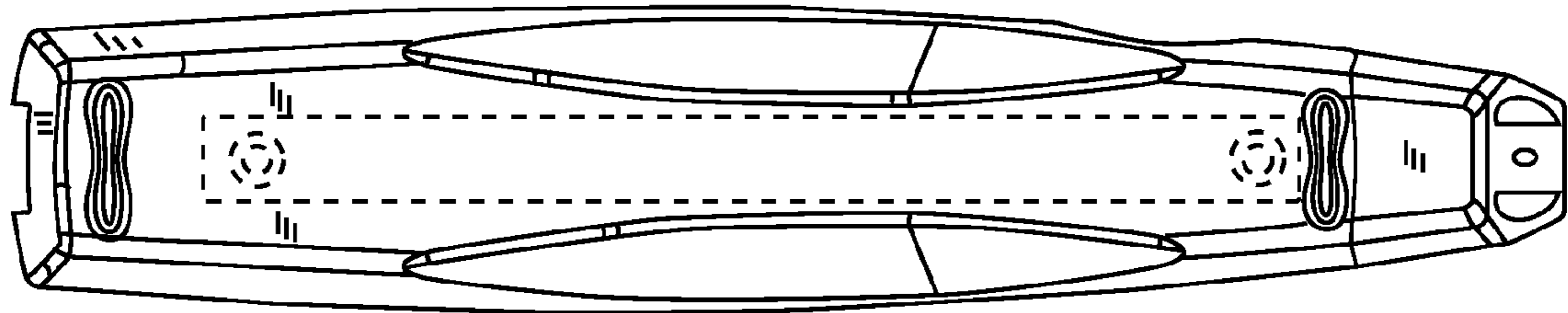


FIG. 3

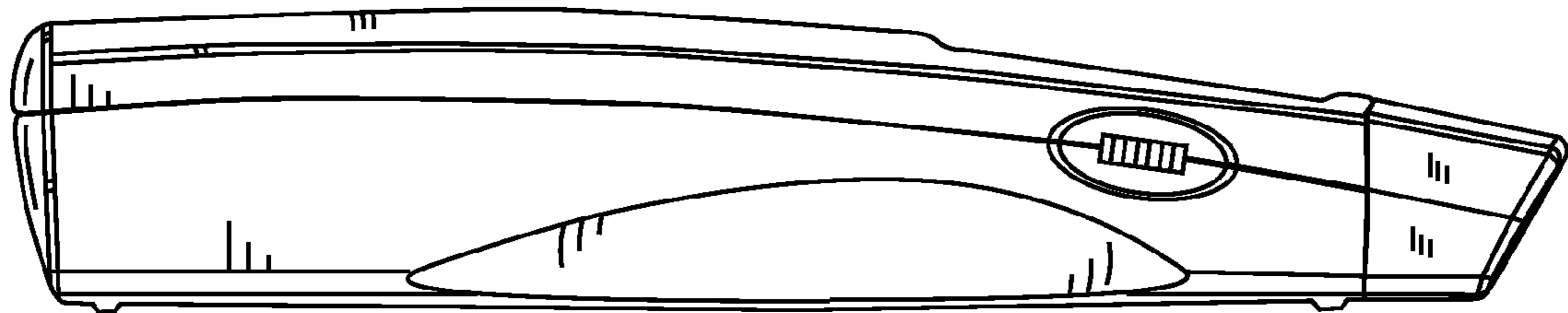


FIG. 4

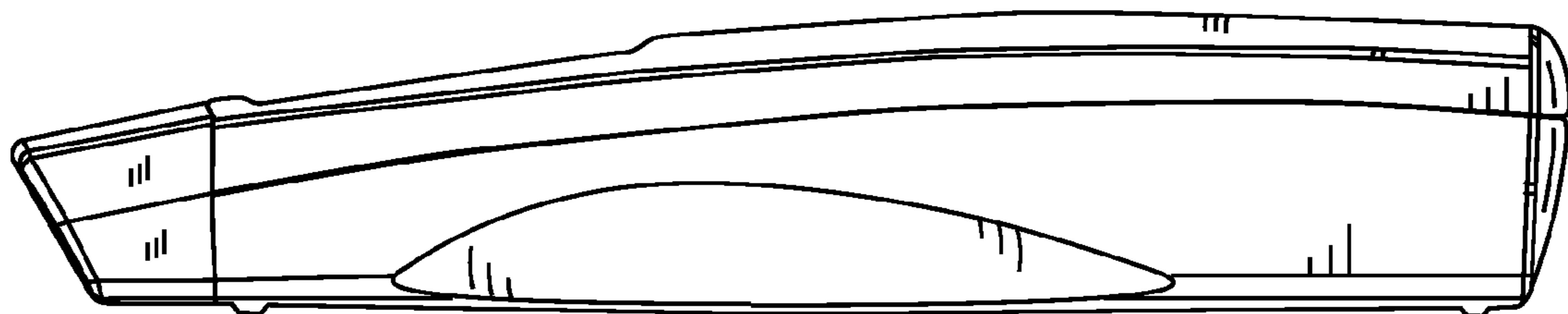


FIG. 5

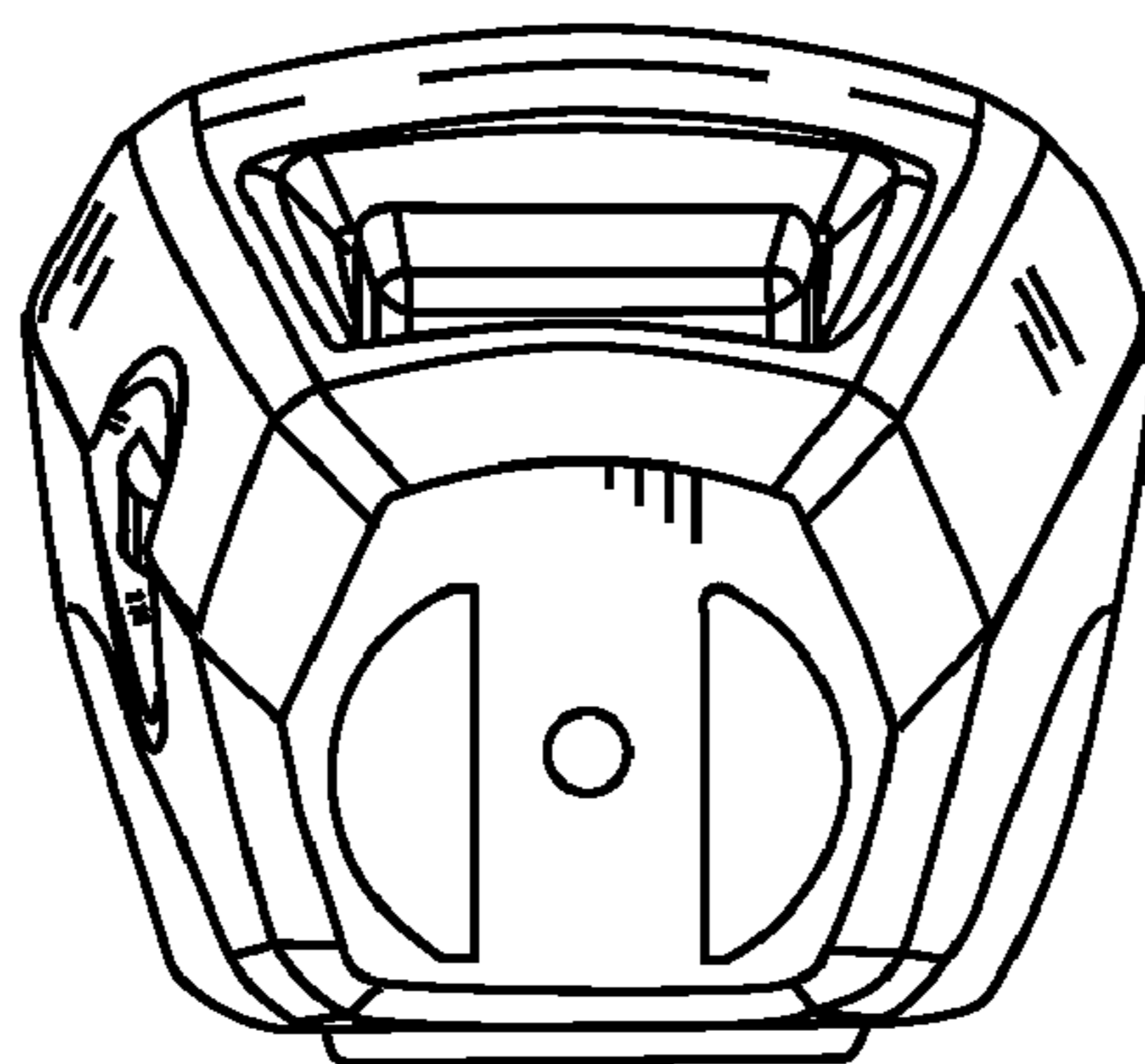


FIG. 6

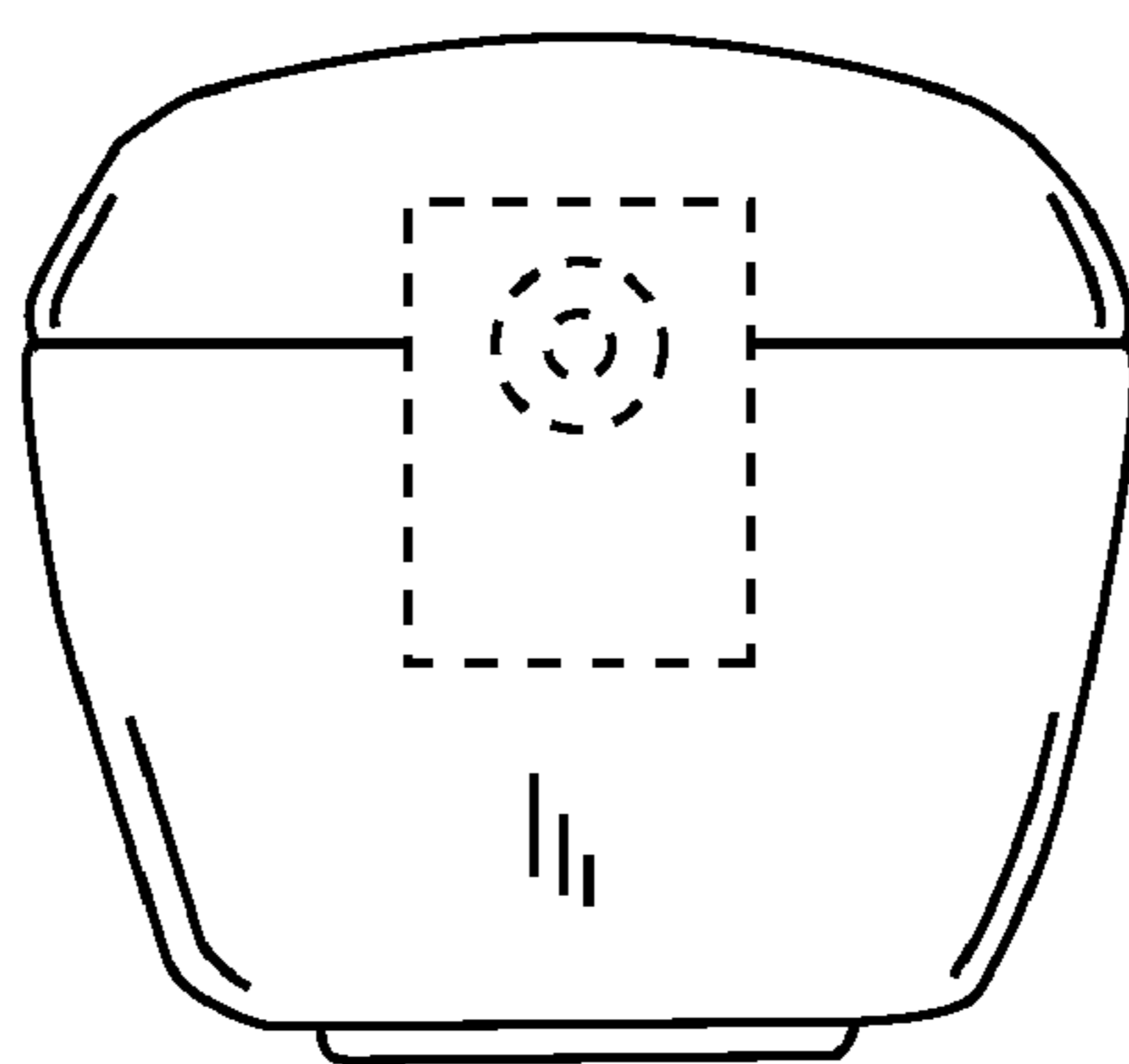


FIG. 7