



US00D588692S

(12) **United States Design Patent**
Rucinski

(10) **Patent No.:** **US D588,692 S**
(45) **Date of Patent:** **** Mar. 17, 2009**

(54) **IRRIGATION DEVICE ASSEMBLY**

(57) **CLAIM**

(75) Inventor: **Paul J. Rucinski**, Gainesville, FL (US)

The ornamental design for an irrigation device assembly, as shown and described.

(73) Assignee: **Innovation Technologies, Inc.**,
Gainesville, FL (US)

(**) Term: **14 Years**

DESCRIPTION

(21) Appl. No.: **29/272,788**

(22) Filed: **Feb. 16, 2007**

(51) **LOC (9) Cl.** **24-04**

(52) **U.S. Cl.** **D24/121**

(58) **Field of Classification Search** D24/121,
D24/108, 130, 197; 604/289, 290; D9/556,
D9/541, 719, 716, 453; 220/669; 215/384
See application file for complete search history.

FIG. 1 is an exploded front elevation view of an irrigation device assembly, including a bottle, a backsplash shield with centralized nozzles, and a gasket therebetween.

FIG. 2 is a right side elevation view of a bottle of the irrigation device assembly. The left side view is a mirror image thereof.

FIG. 3 is a front elevation view of a bottle of the irrigation device assembly. The back elevation view is a mirror image thereof.

FIG. 4 is a top plan view of a bottle of the irrigation device assembly.

FIG. 5 is a bottom plan view of a bottle of the irrigation device assembly.

FIG. 6 bottom plan view of a backsplash shield of the irrigation device assembly.

FIG. 7 is top plan view of a backsplash shield of the irrigation device assembly.

FIG. 8 is a front side elevation view of a backsplash shield of the irrigation device assembly. The back side elevation view is a mirror image thereof.

FIG. 9 is a right side elevation view of a backsplash shield of the irrigation device assembly. The left side elevation view is a mirror image thereof.

FIG. 10 is a sectional view of the backsplash shield shown in FIG. 8 taken along line 10—10.

FIG. 11 is a top plan view of a washer of the irrigation device assembly. The bottom plan view is a mirror image thereof.

FIG. 12 is a front elevation view of a gasket of the irrigation device assembly. The back elevation view is a mirror image thereof.

FIG. 13 is an exploded front elevation view of an alternative design embodiment of an irrigation device assembly, including a bottle and backsplash shield with centralized nozzles.

(56) **References Cited**

U.S. PATENT DOCUMENTS

D196,389	S	*	9/1963	Mason et al.	D9/556
D198,511	S	*	6/1964	Fuerst	D9/556
D257,427	S	*	10/1980	Cooke et al.	D9/556
4,603,784	A	*	8/1986	Chang	D24/197
D325,973	S	*	5/1992	Chen et al.	D24/197
5,385,250	A	*	1/1995	Pasquale	220/669
D365,638	S	*	12/1995	Young	D24/197
6,050,981	A	*	4/2000	Lampropoulos et al.	604/289
D437,233	S	*	2/2001	Gibert	D9/556
D466,819	S	*	12/2002	Darr et al.	D9/556
7,178,684	B1	*	2/2007	Budden et al.	215/384
D556,595	S	*	12/2007	Rucinski	D9/556
2006/0131258	A1	*	6/2006	Yourist	215/384

* cited by examiner

Primary Examiner—T. Chase Nelson

Assistant Examiner—David G Muller

(74) *Attorney, Agent, or Firm*—Saliwanchik, Lloyd & Saliwanchik

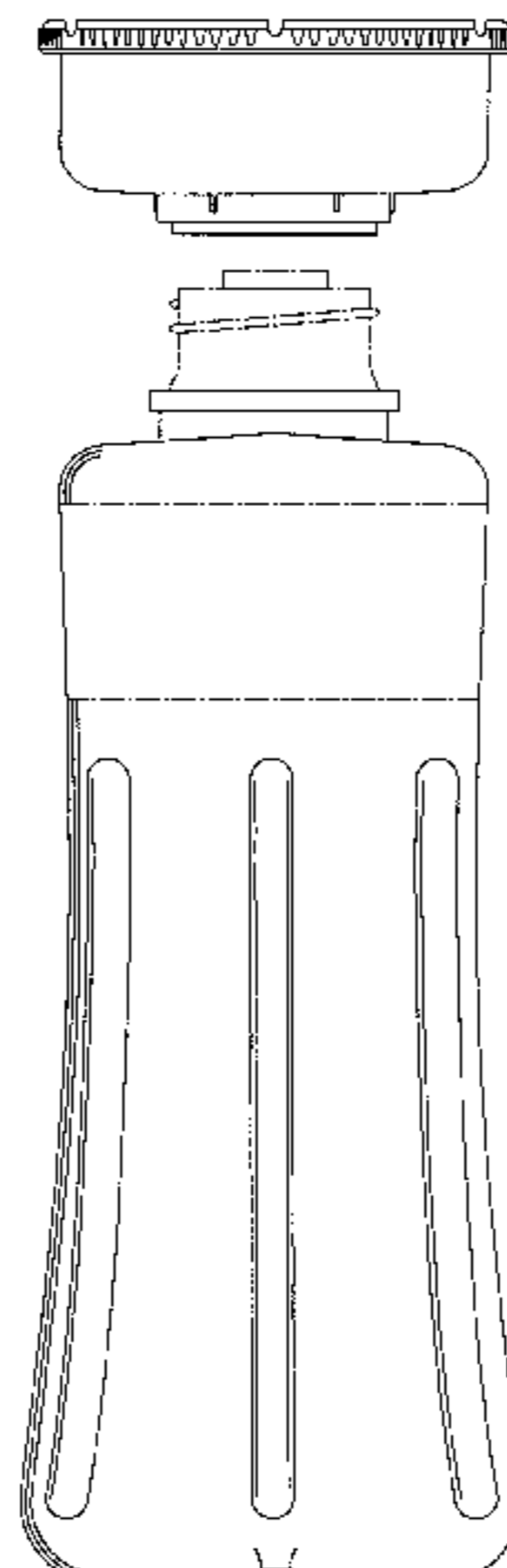


FIG. **14** is a right side elevation view of a bottle of the alternative design embodiment of the irrigation device assembly. The left side view is a mirror image thereof.

FIG. **15** is a front elevation view of a bottle of the alternative design embodiment of the irrigation device assembly. The back elevation view is a mirror image thereof.

FIG. **16** is a top plan view of a bottle of the the alternative design embodiment of the irrigation device assembly.

FIG. **17** is a bottom plan view of a bottle of the the alternative design embodiment of the irrigation device assembly.

FIG. **18** bottom plan view of a backplash shield of the alternative design embodiment of the irrigation device assembly.

FIG. **19** is top plan view of a backplash shield of the alternative design embodiment of the irrigation device assembly.

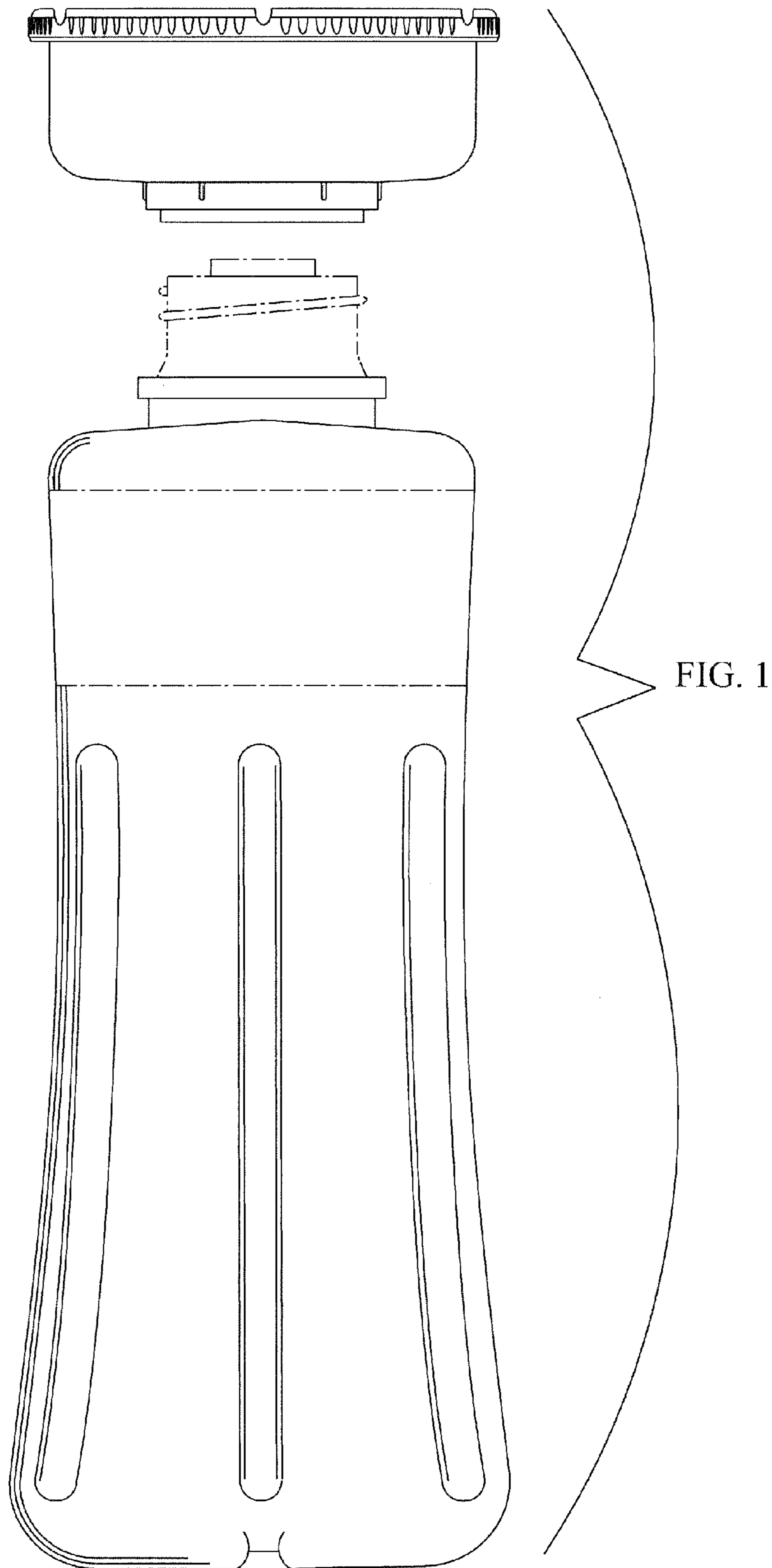
FIG. **20** is a front side elevation view of a backplash shield of the alternative design embodiment of the irrigation device assembly. The back side elevation view is a mirror image thereof.

FIG. **21** is a right side elevation view of a backplash shield of the alternative design embodiment of the irrigation device assembly. The left side elevation view is a mirror image thereof; and,

FIG. **22** is a sectional view of the backplash shield shown in FIG. **20** taken along line **22—22**.

The features shown in broken lines depict environmental subject matter only and form no part of the claimed design.

1 Claim, 6 Drawing Sheets



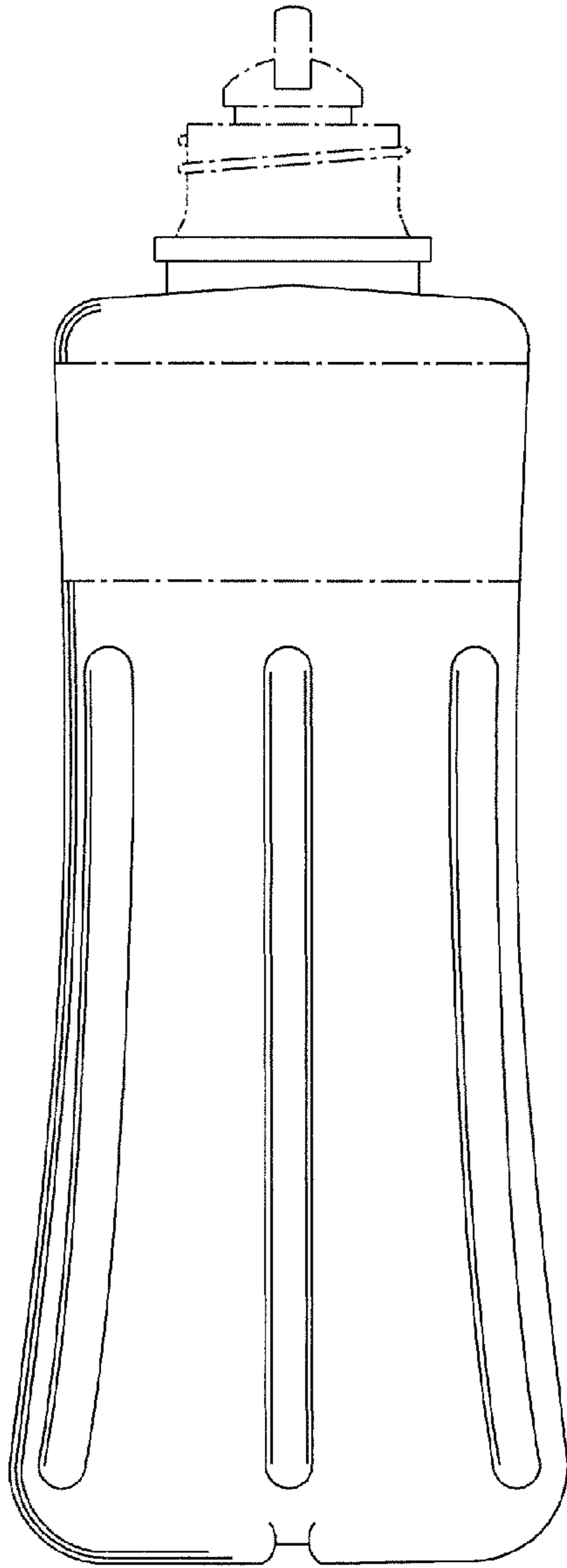


FIG. 2

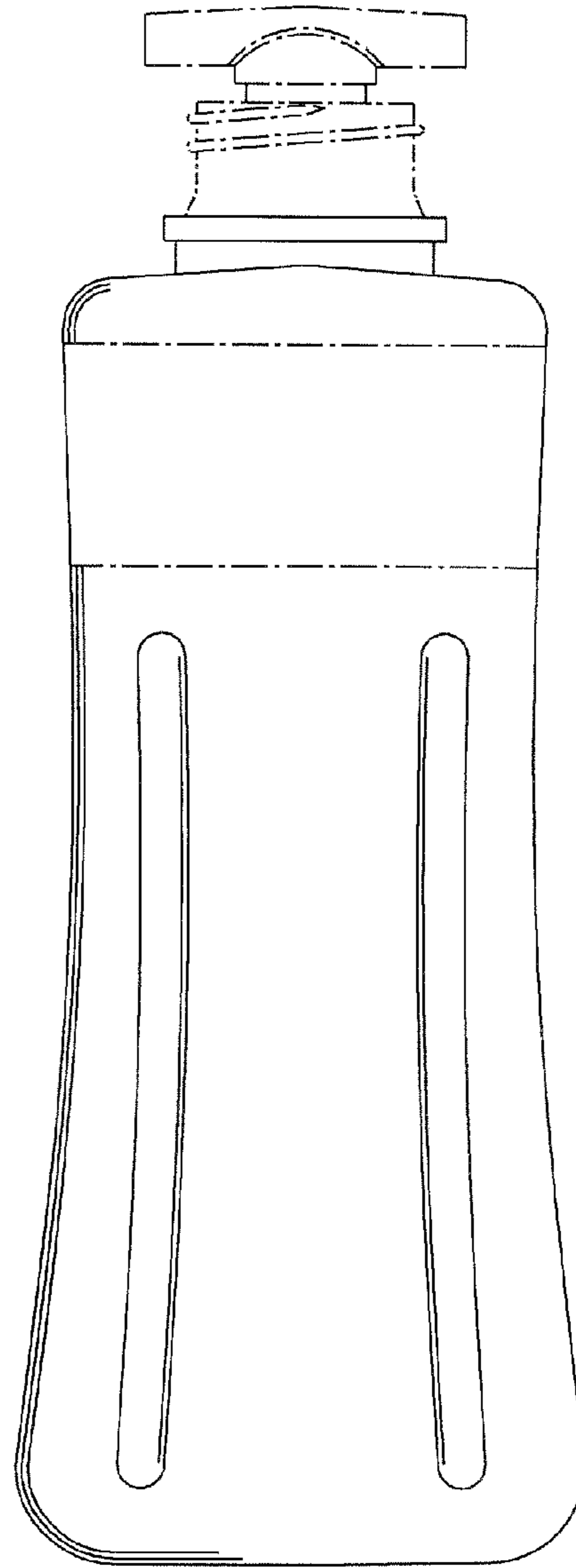


FIG. 3

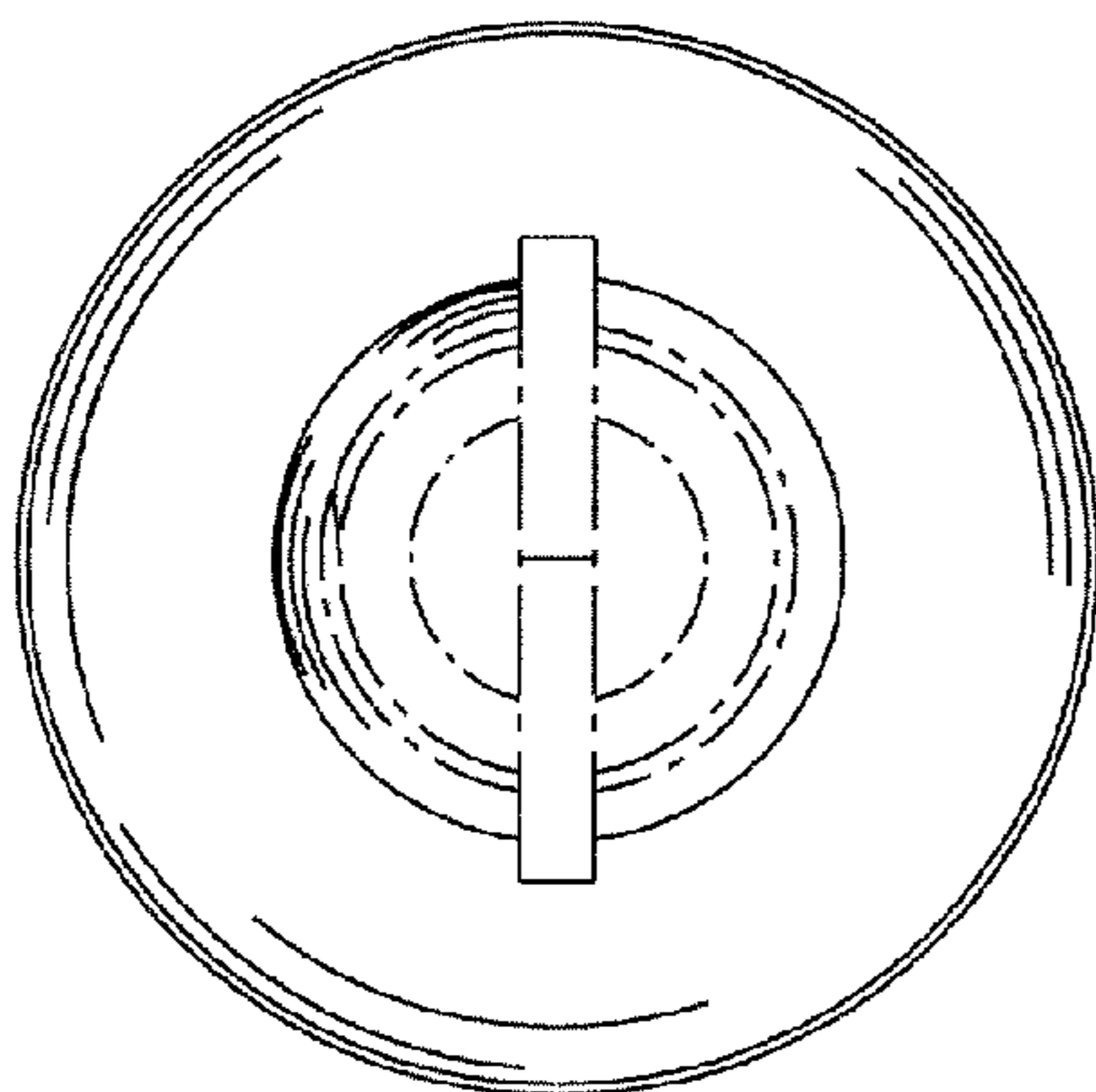


FIG. 4

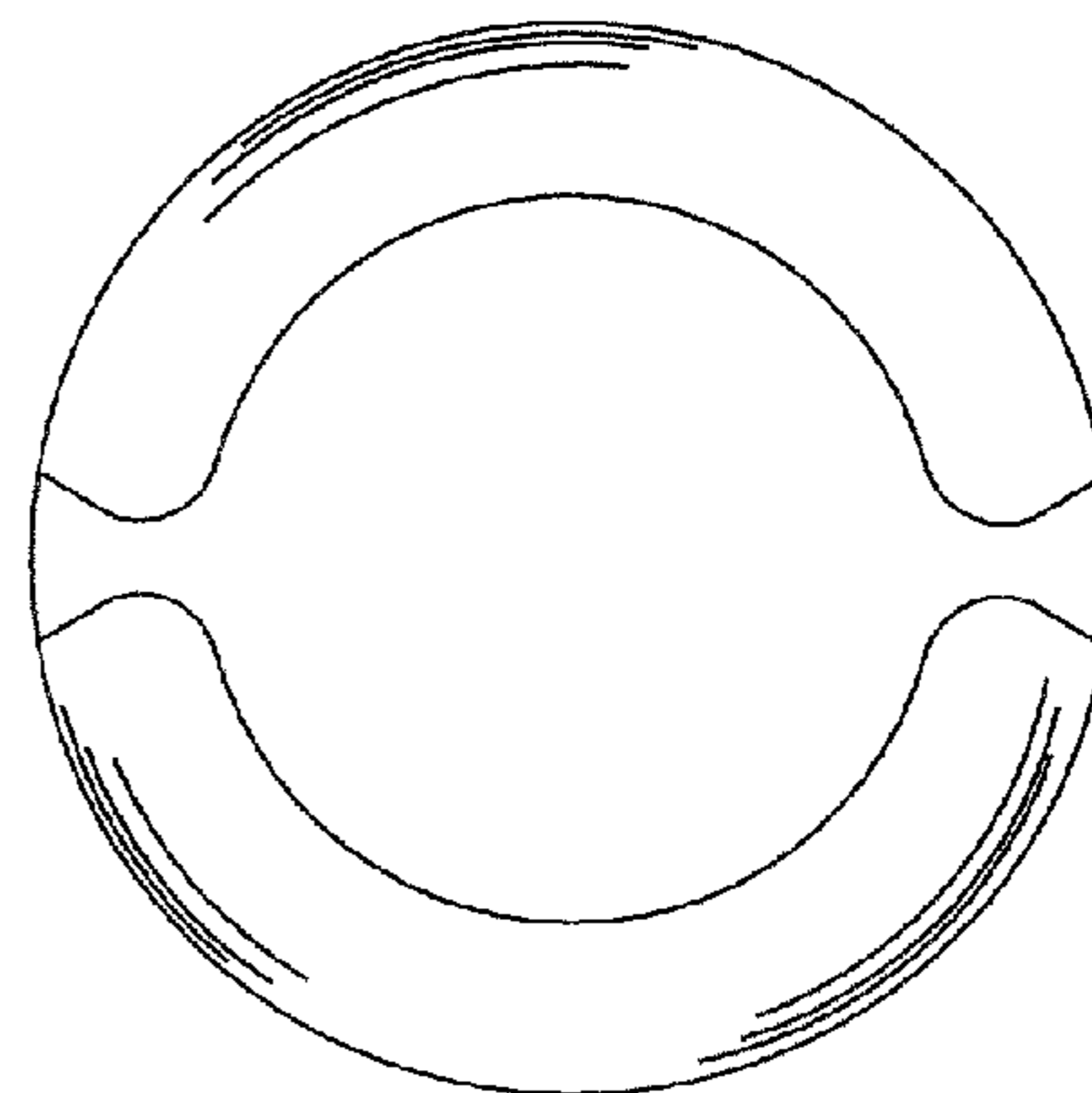


FIG. 5

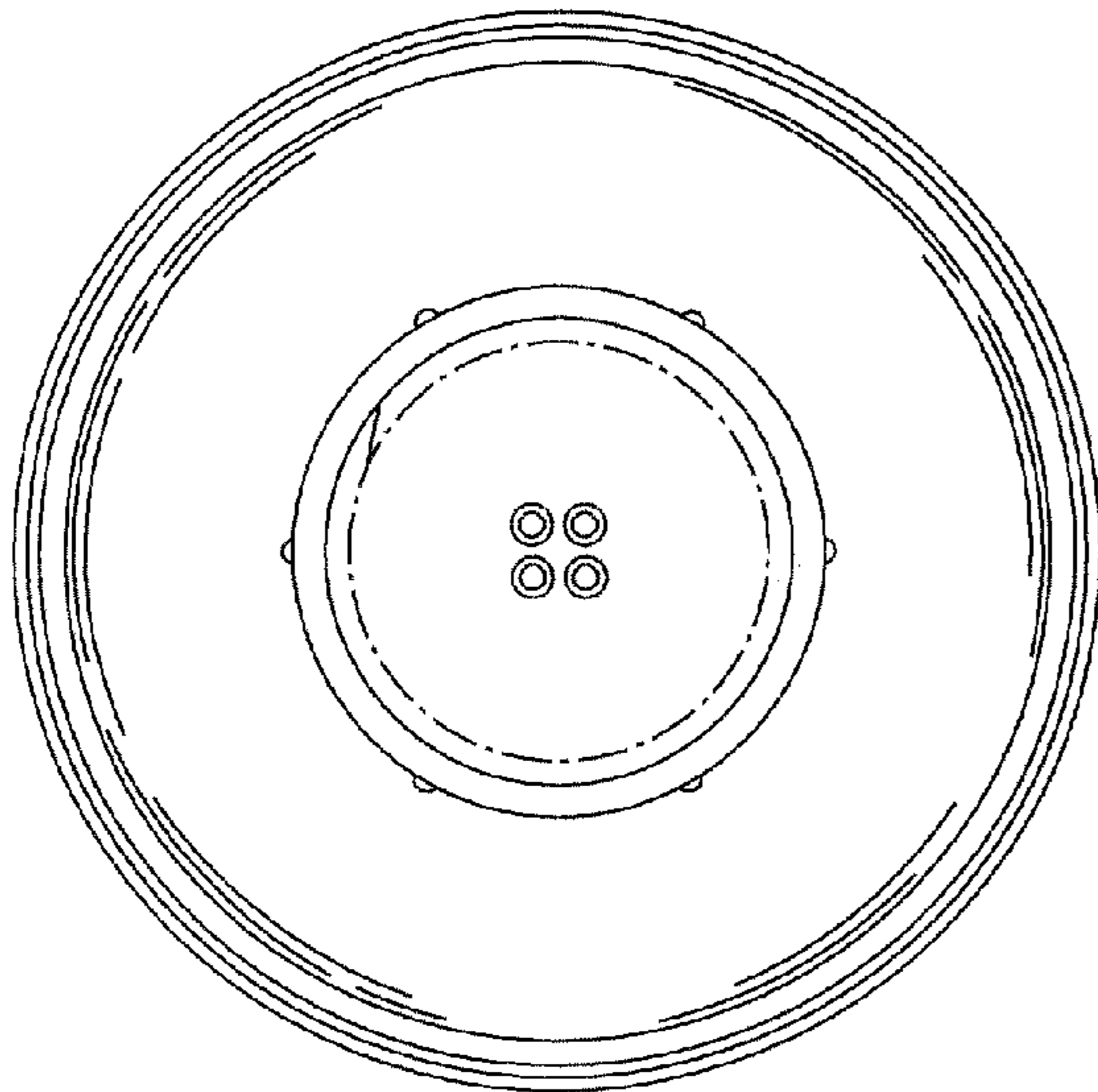


FIG. 6

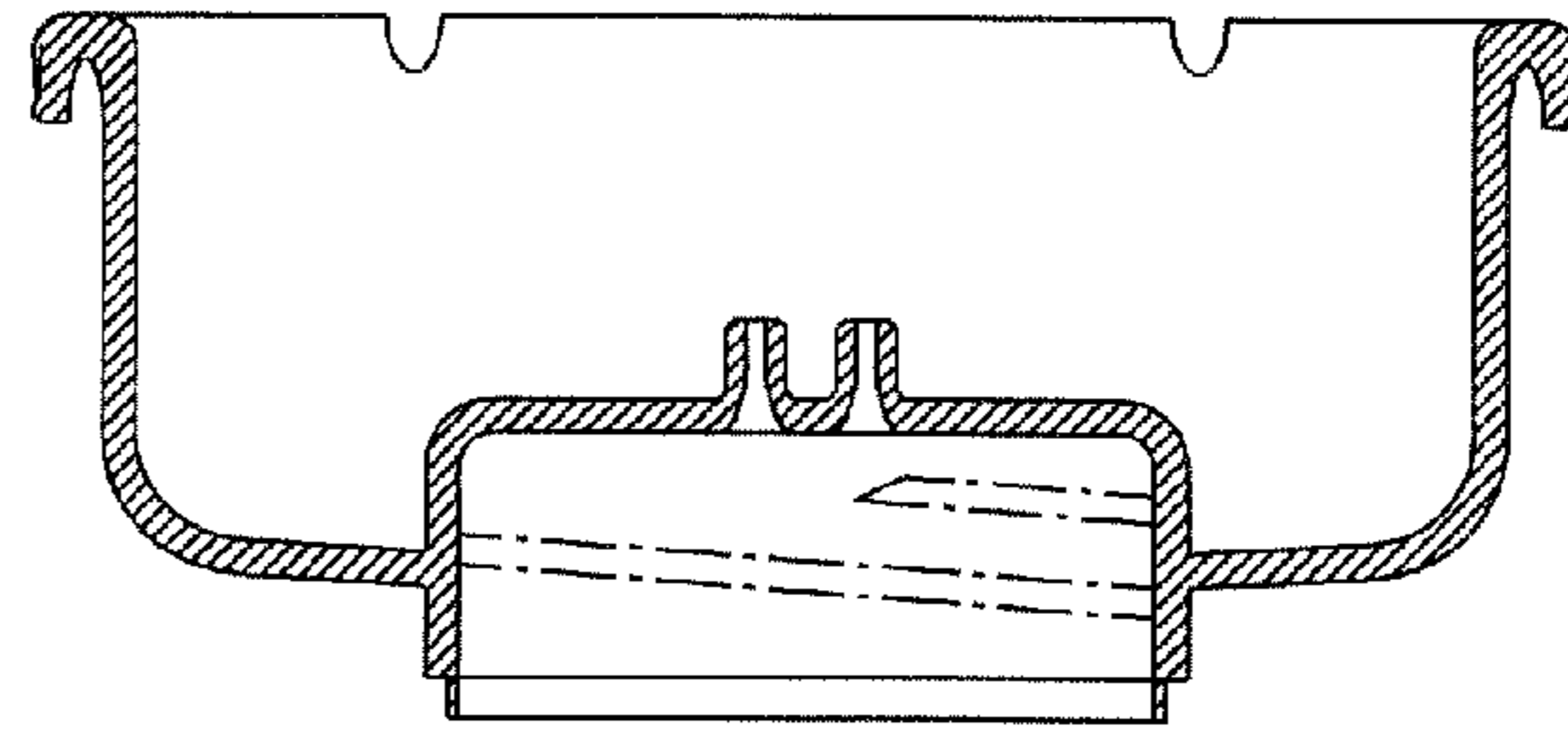


FIG. 10

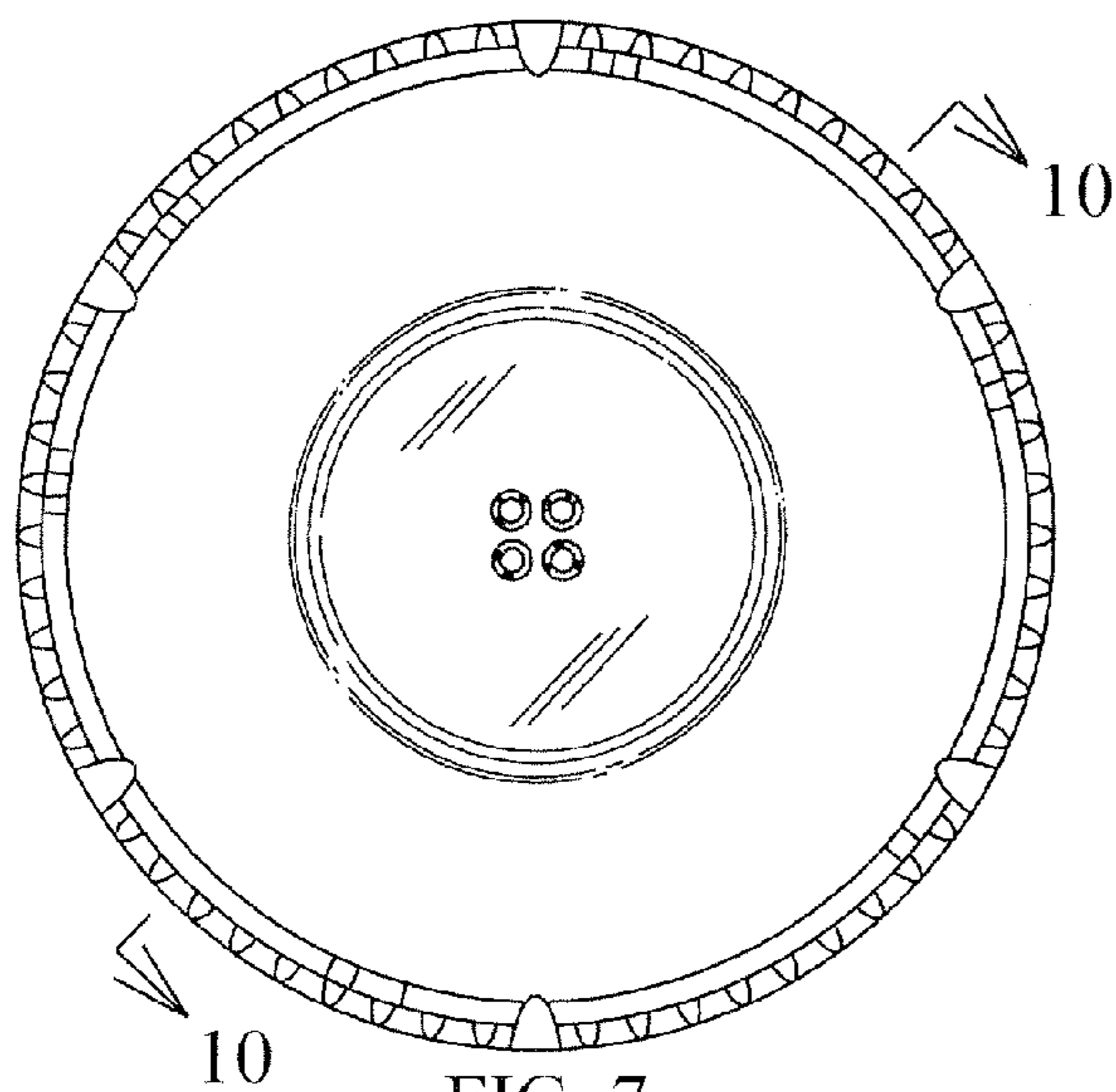


FIG. 7

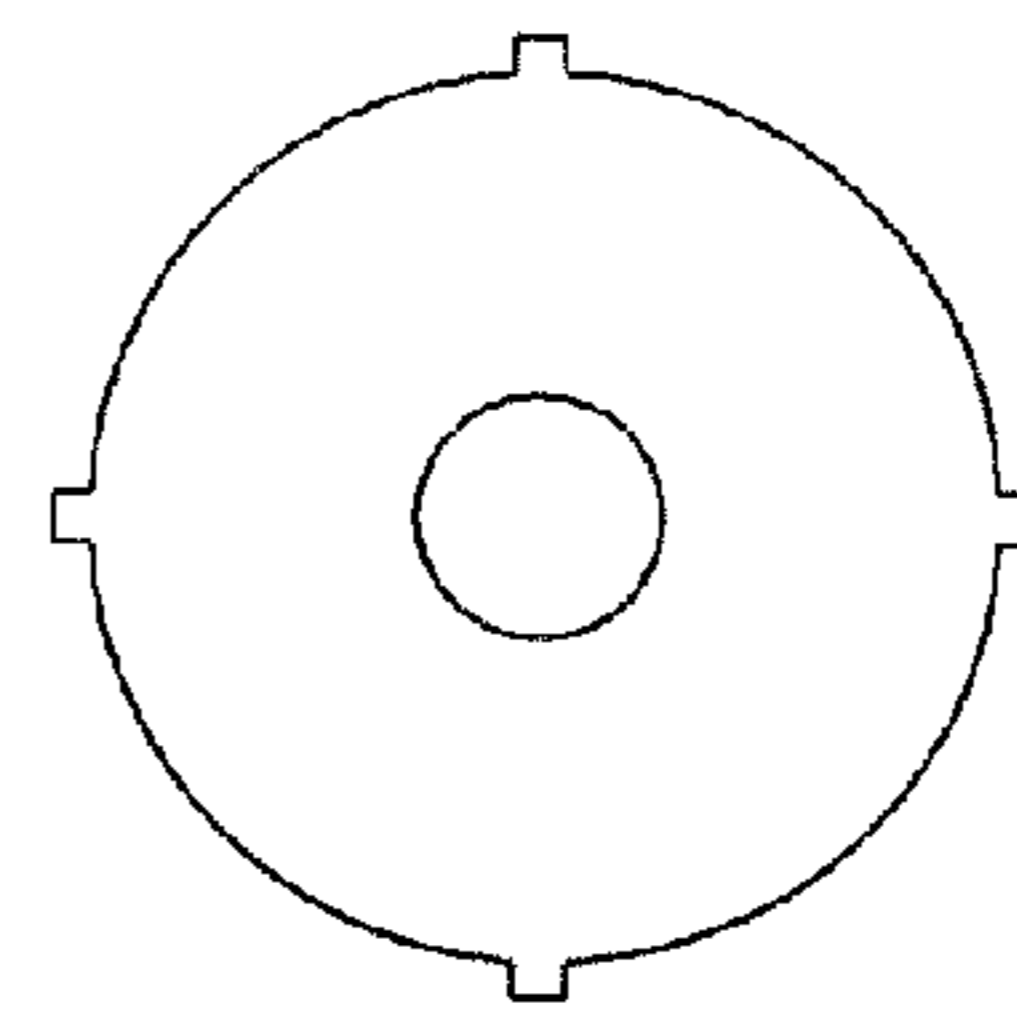


FIG. 11

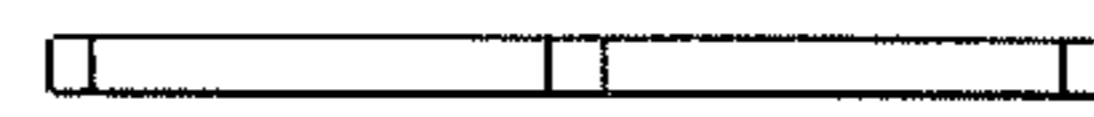


FIG. 12

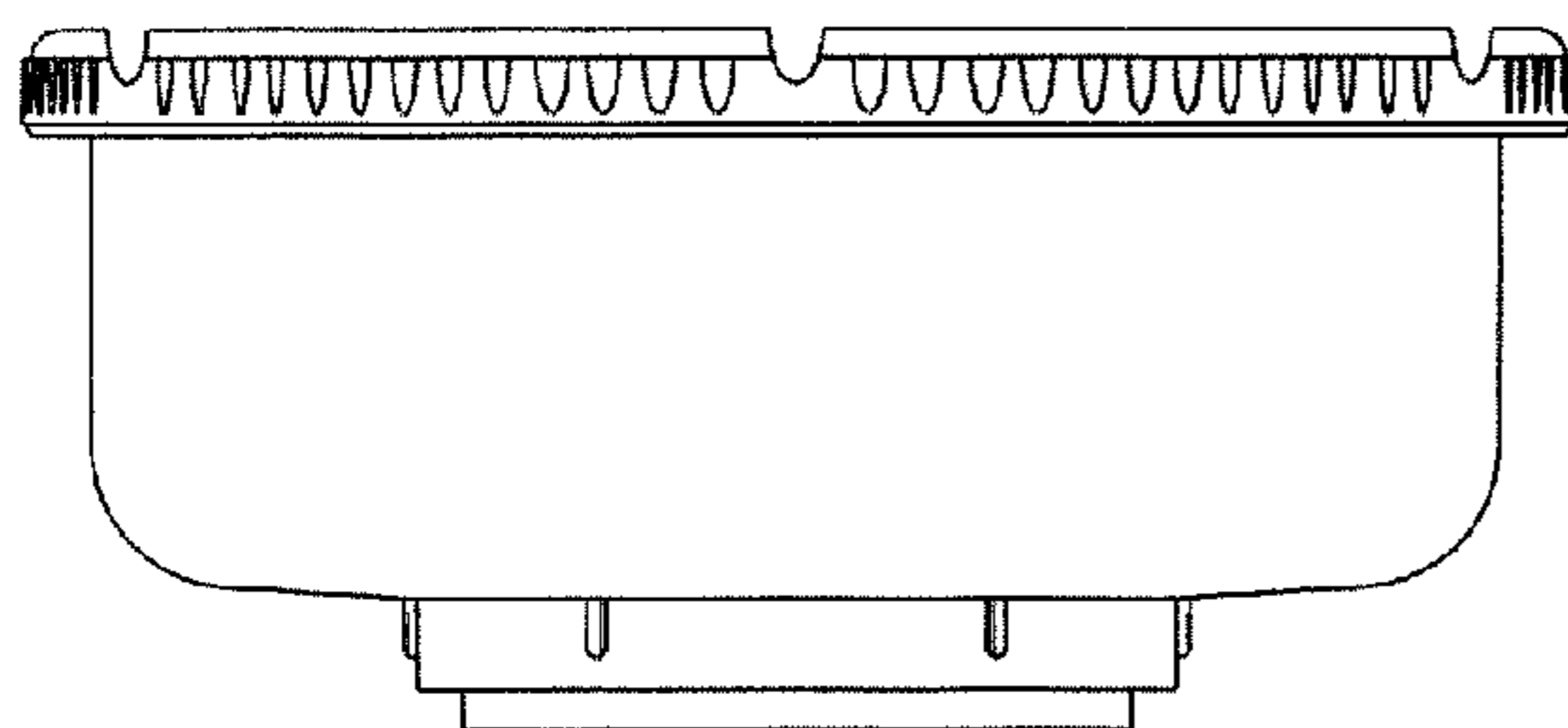


FIG. 8

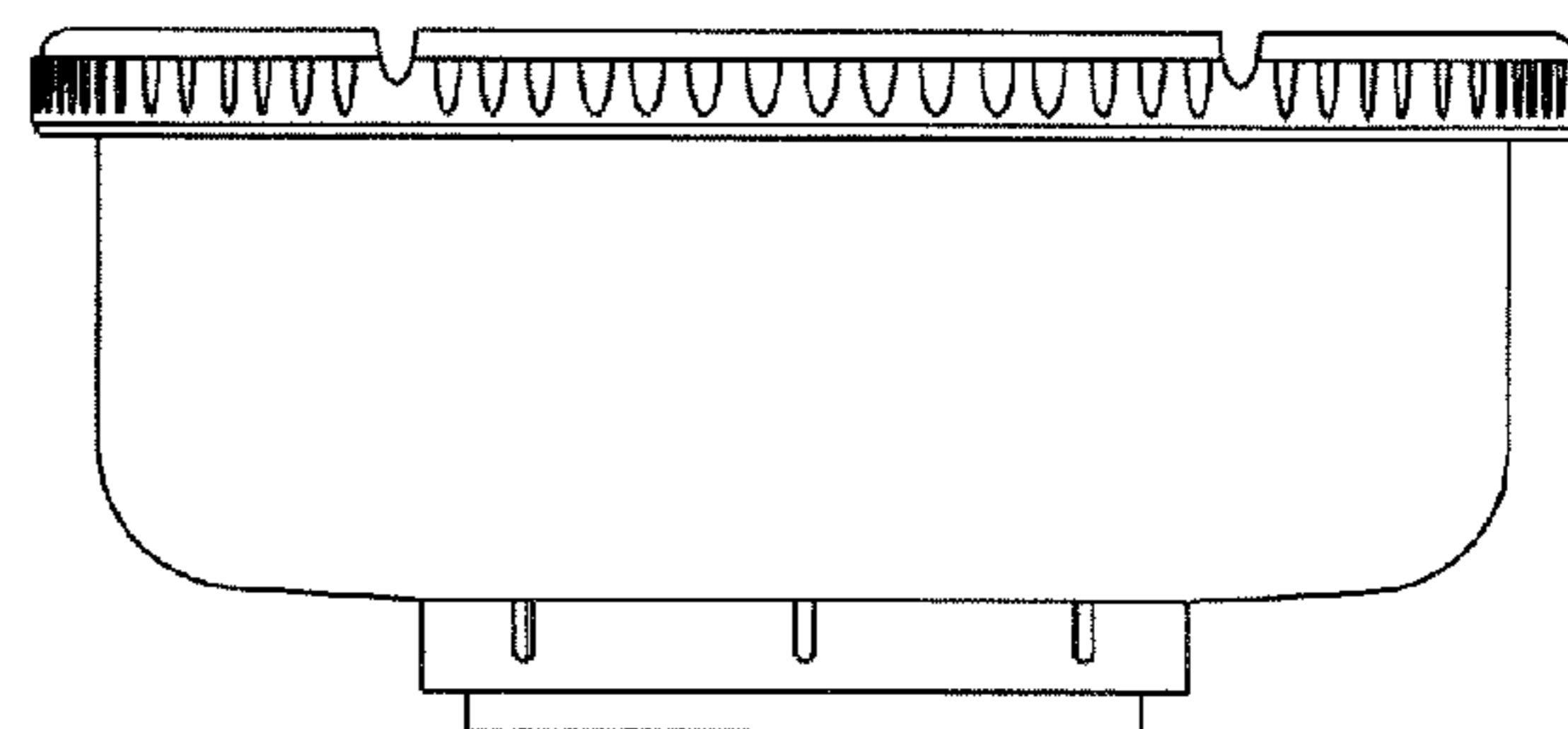


FIG. 9

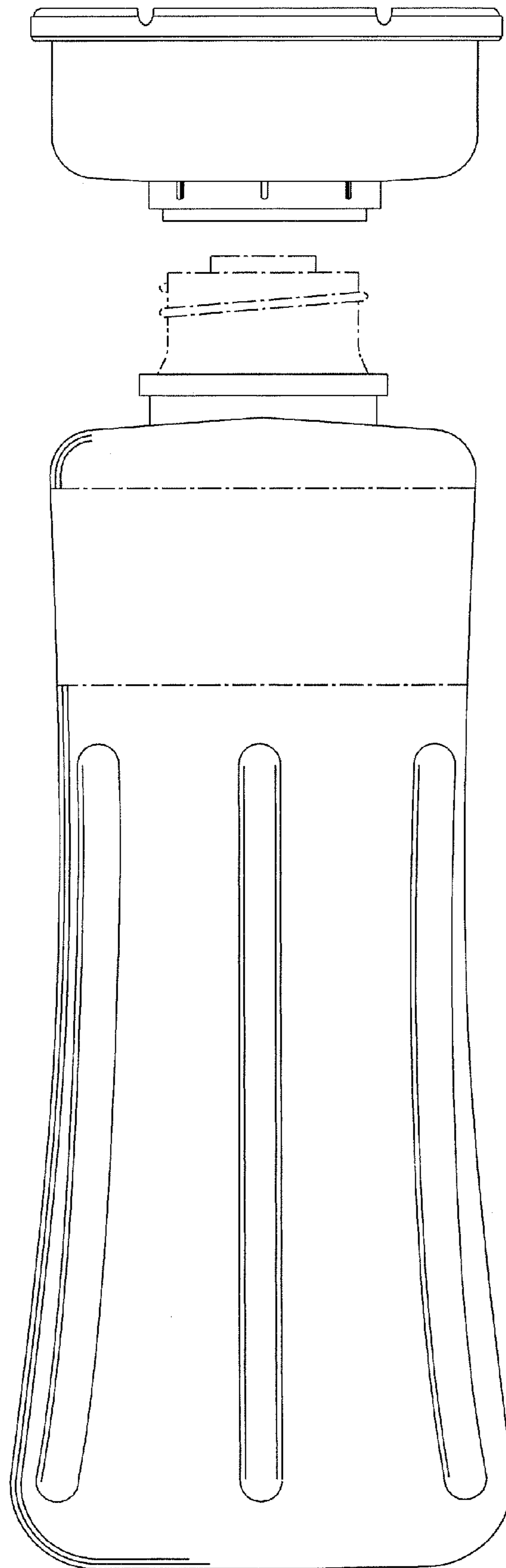


FIG. 13

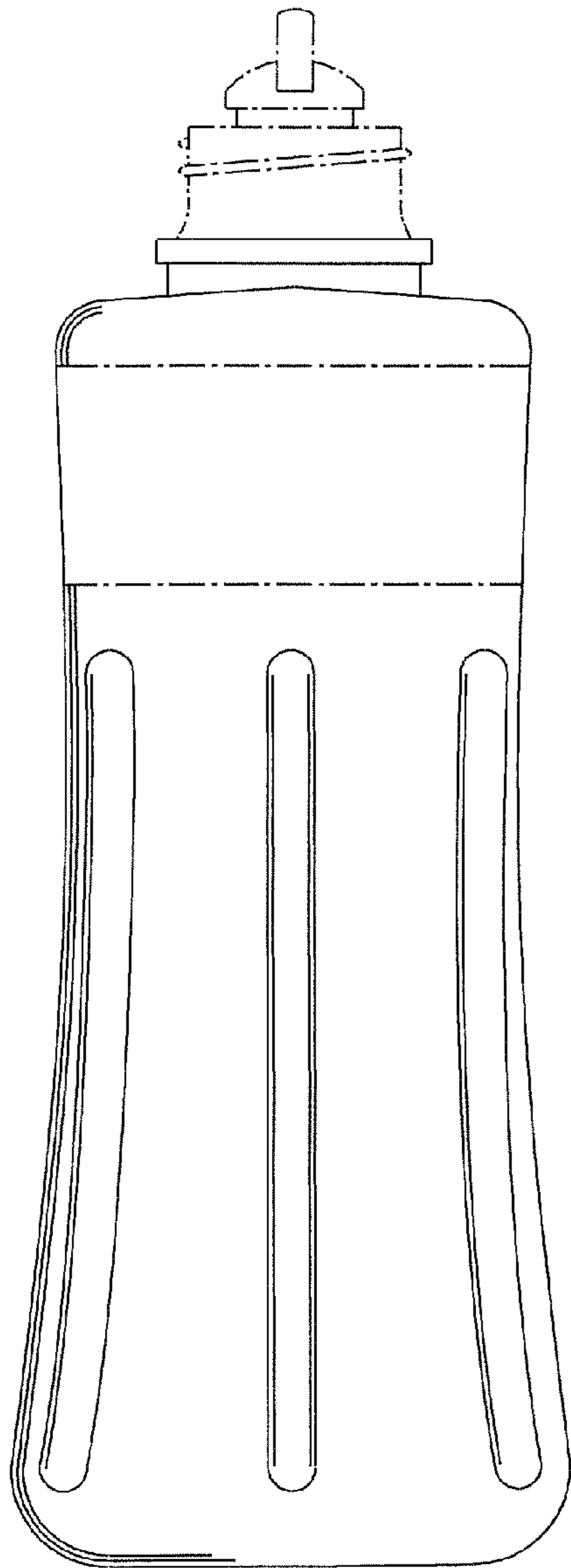


FIG. 14

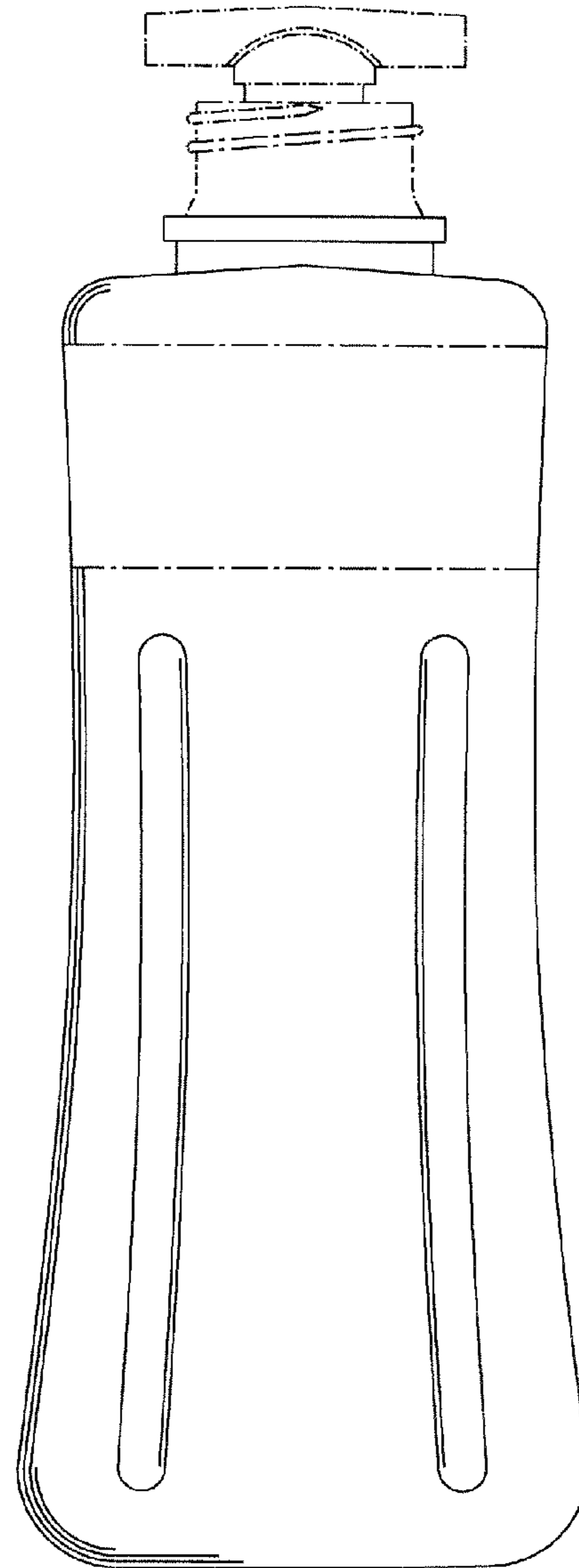


FIG. 15

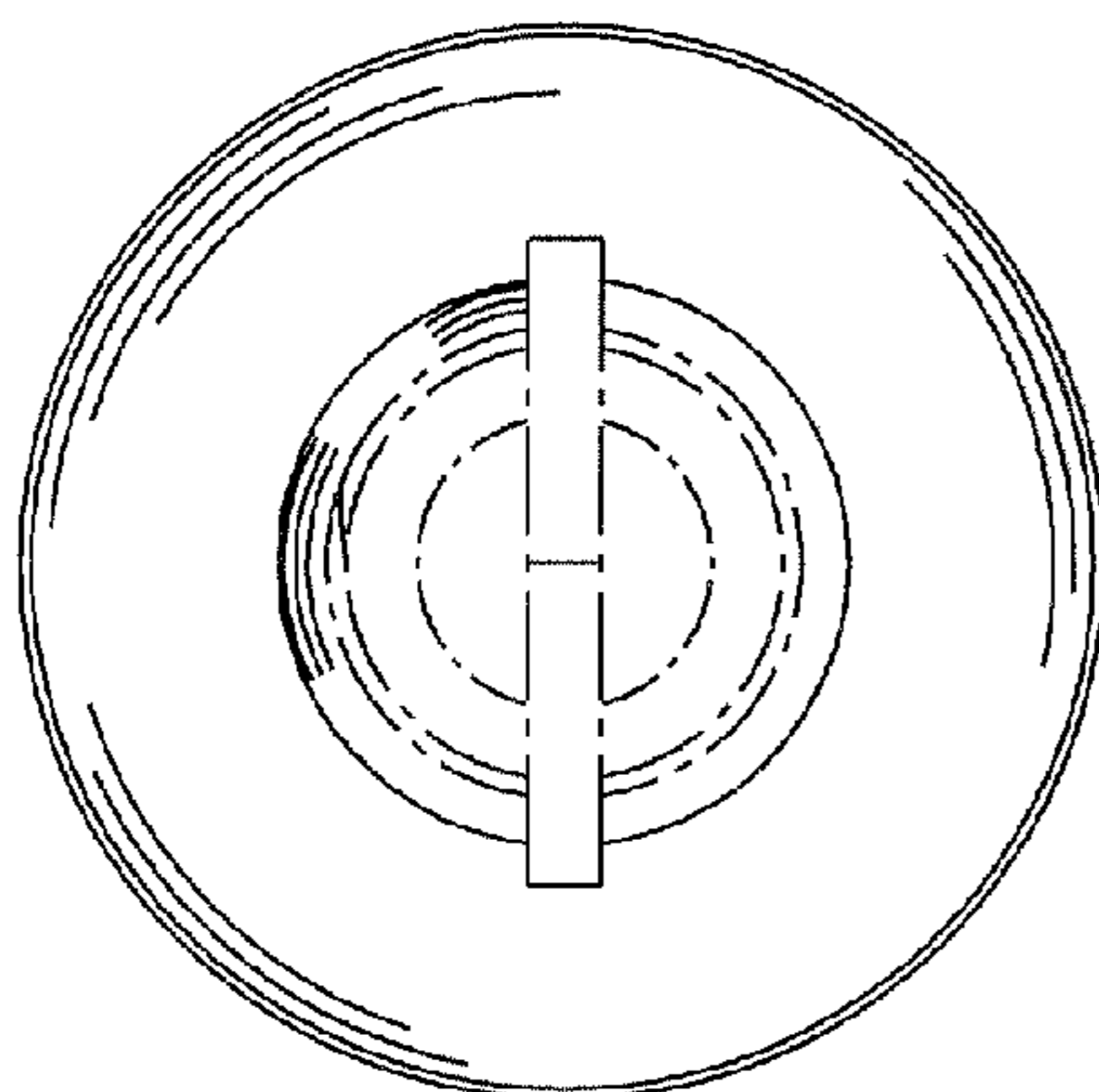


FIG. 16

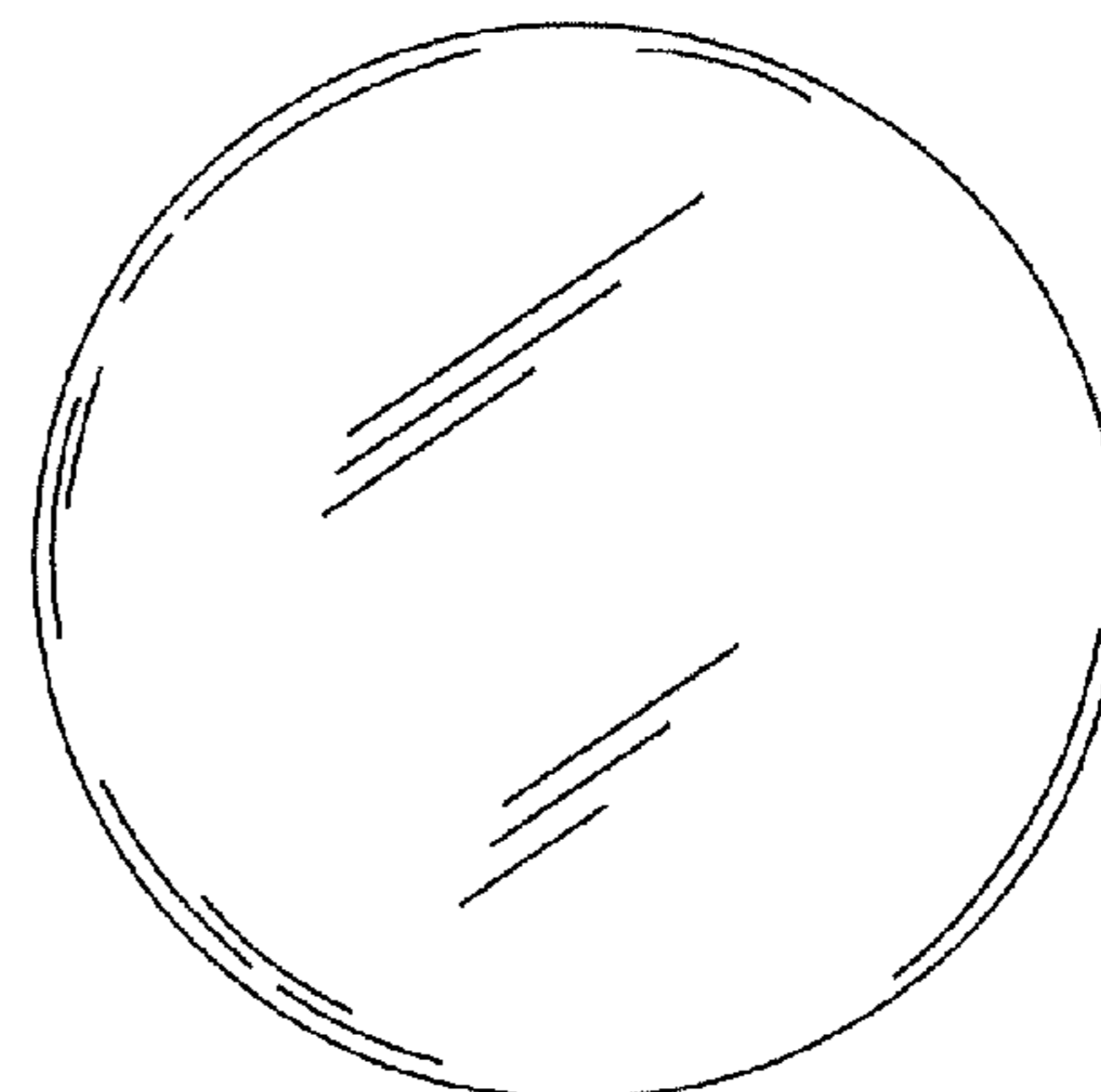


FIG. 17

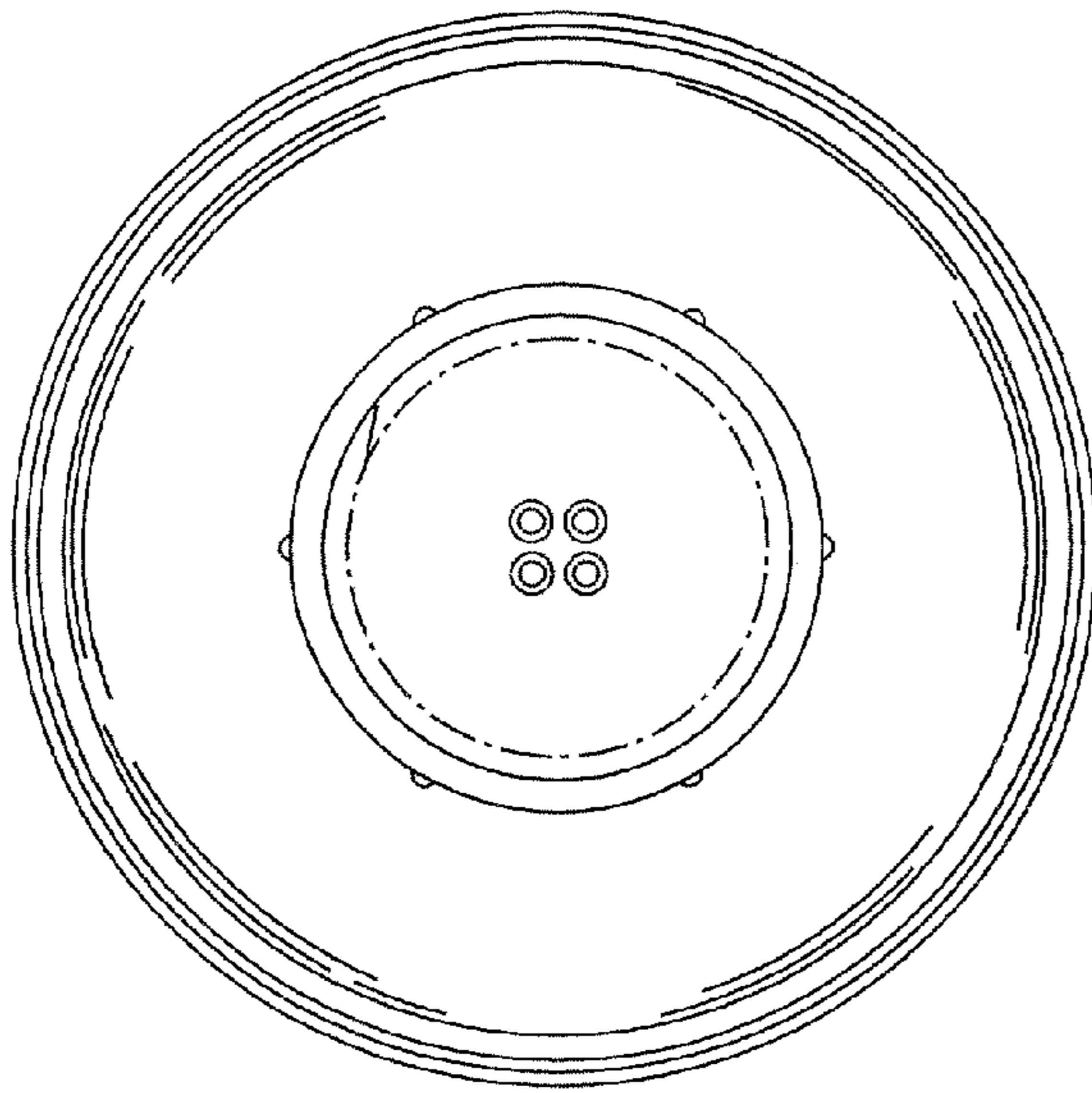


FIG. 18

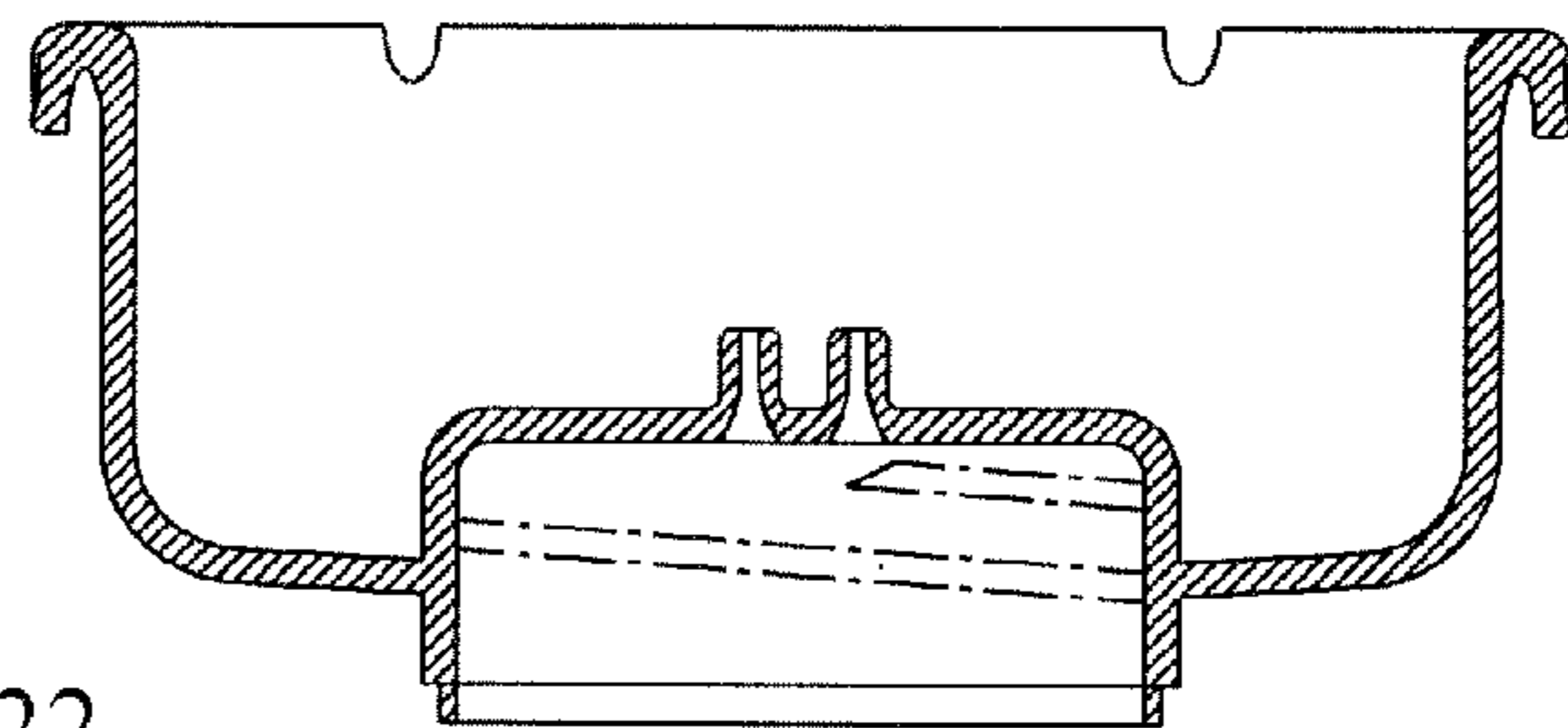


FIG. 22

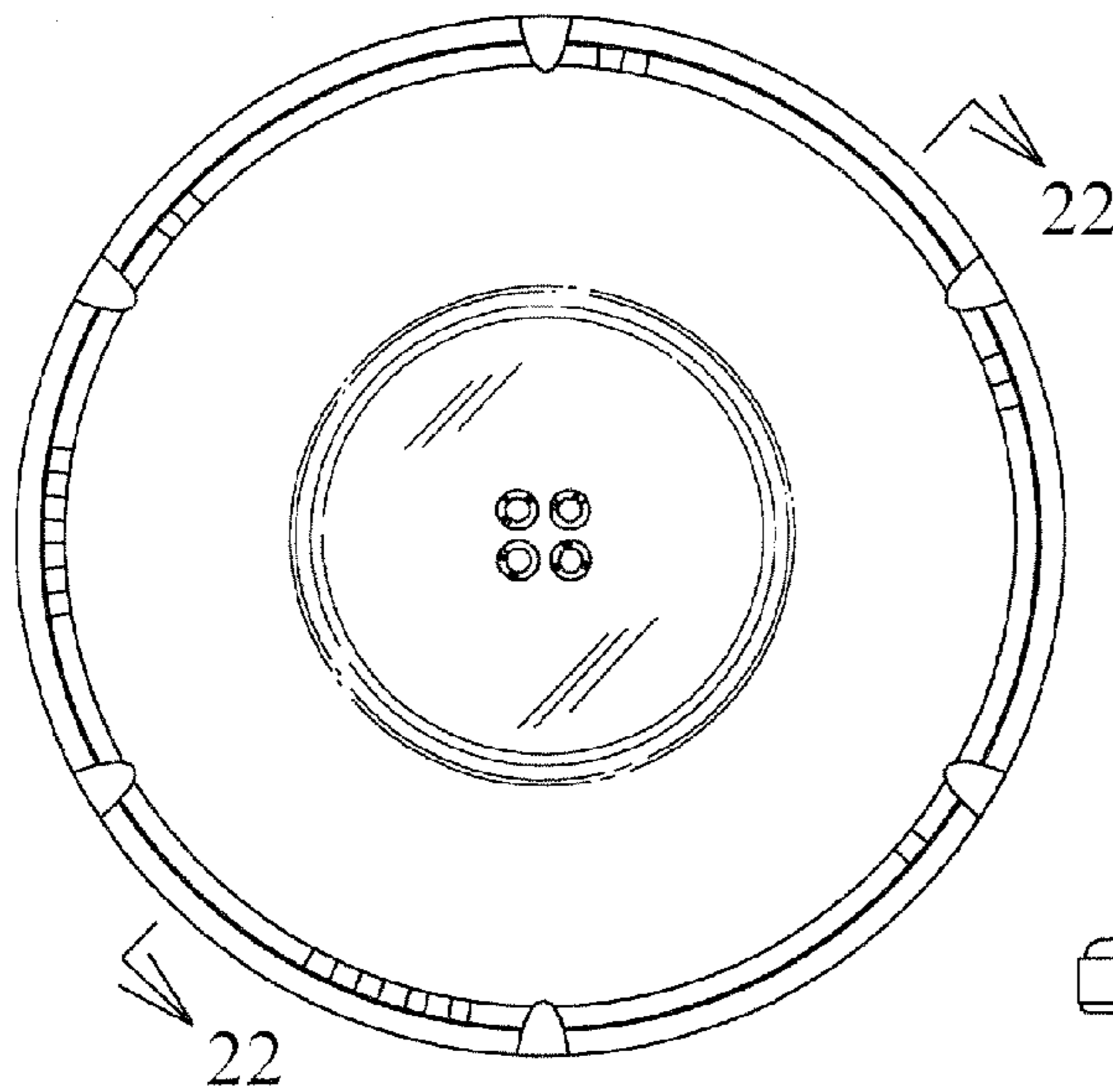


FIG. 19

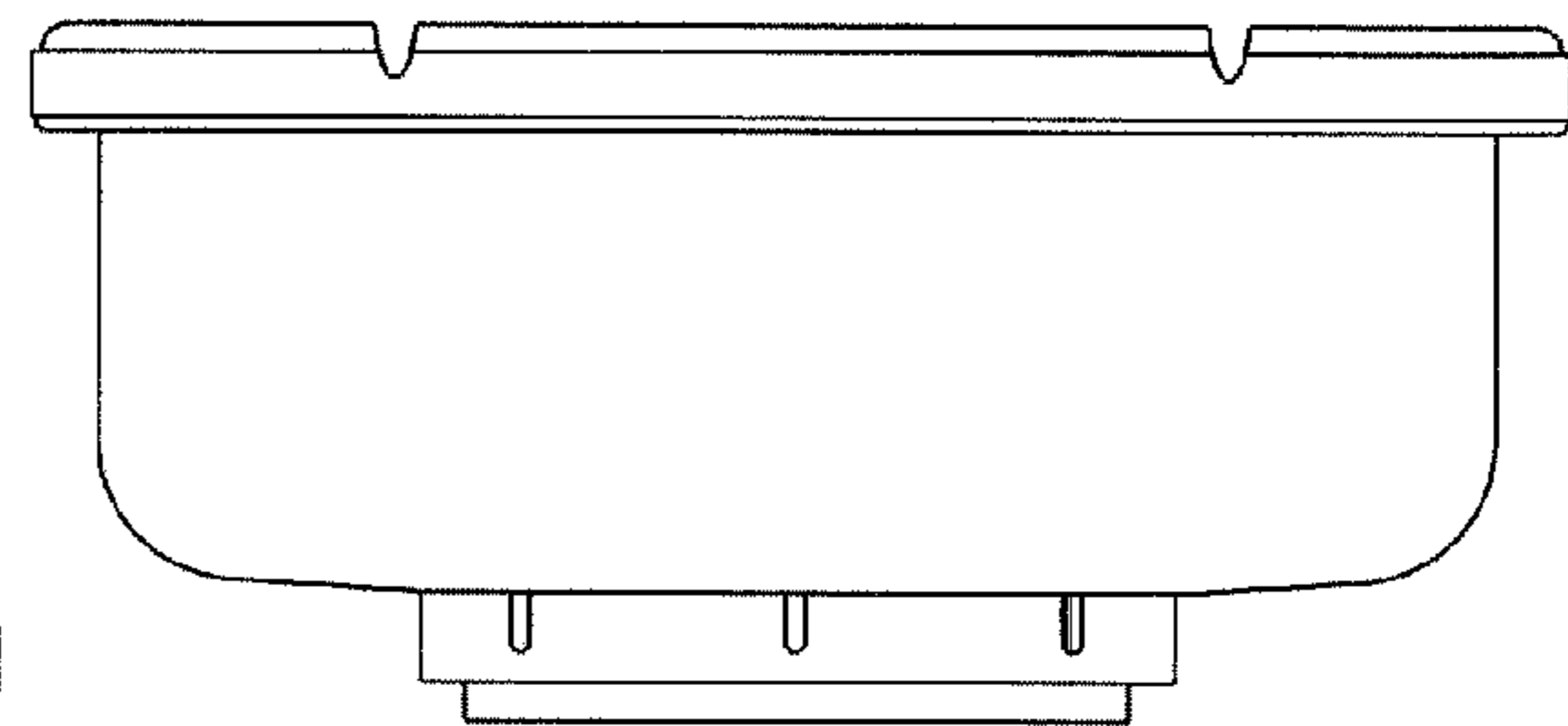


FIG. 21

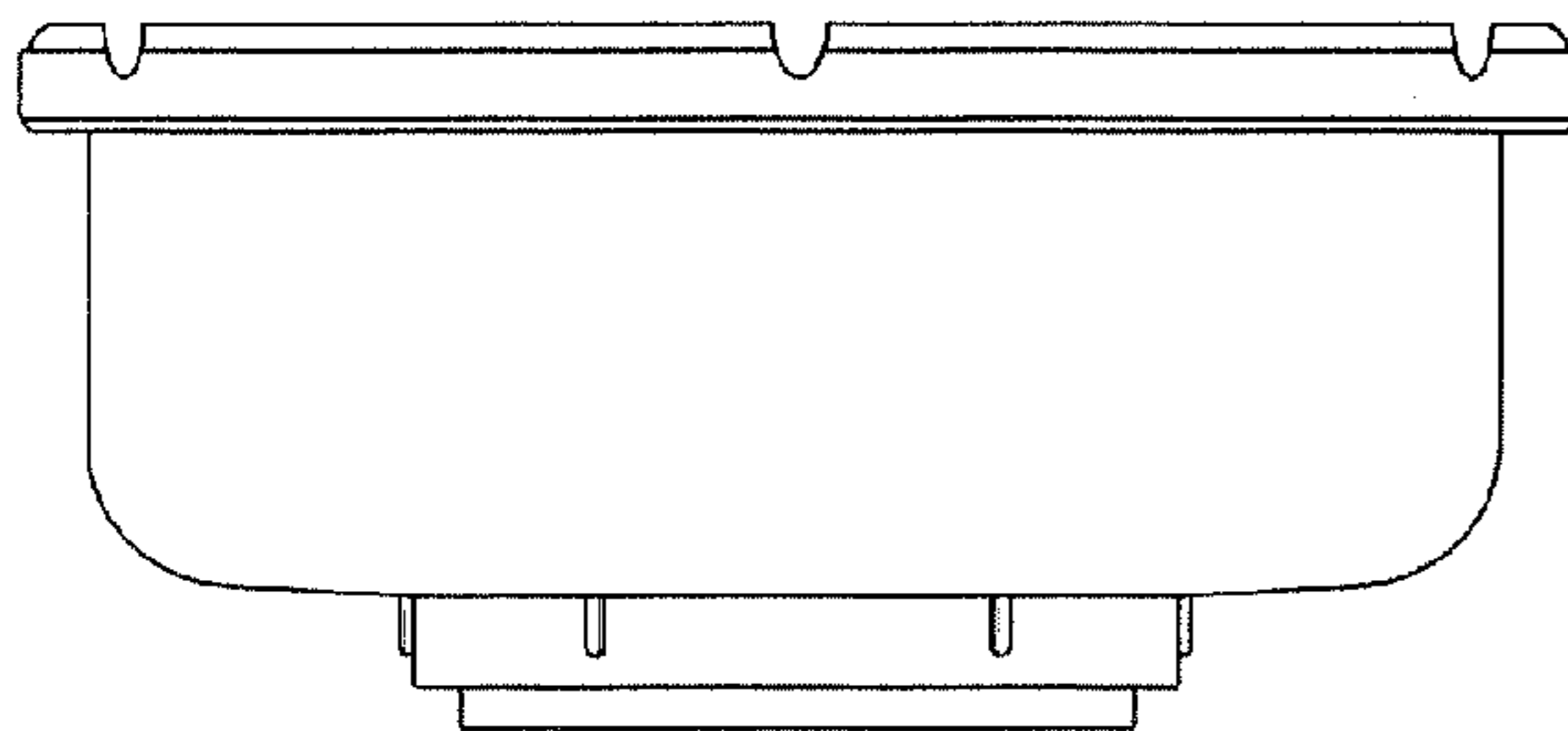


FIG. 20