



US00D588691S

(12) **United States Design Patent**
Perrin et al.

(10) **Patent No.:** **US D588,691 S**
(45) **Date of Patent:** **** Mar. 17, 2009**

(54) **EYEWASH DEVICE**

(75) Inventors: **Timothy E. Perrin**, Hartford, WI (US);
Theodore E. Dhein, Sussex, WI (US);
James A. Piper, III, St. Charles, IL
(US); **Kieron Tse**, Batavia, IL (US)

3,409,009 A 11/1968 Vasse
3,439,674 A 4/1969 Lelicoff
3,456,650 A 7/1969 Schwartzman
3,552,607 A * 1/1971 Edwards et al. 222/566

(Continued)

FOREIGN PATENT DOCUMENTS

(73) Assignee: **Bradley Fixtures Corporation**,
Menomonee Falls, WI (US)

DE 32 45 464 A1 7/1983

(Continued)

(**) Term: **14 Years**

OTHER PUBLICATIONS

(21) Appl. No.: **29/282,039**

Bradely Corporation, Installation Instructions for Opt-Aid® Personal Eyewash Station, bearing a designations of "© 2006 Bradley Corporation" and "Jun. 6, 2006".

(22) Filed: **Jul. 10, 2007**

(Continued)

(51) **LOC (9) Cl.** **24-02**

(52) **U.S. Cl.** **D24/120**

(58) **Field of Classification Search** D24/120,
D24/121, 108, 193; 604/301, 294, 295, 300,
604/289, 290; 4/620; 215/4, 305, 328; 206/210,
206/828; 222/566, 575; D9/453

Primary Examiner—T. Chase Nelson
Assistant Examiner—David G Muller

(74) *Attorney, Agent, or Firm*—Foley & Lardner LLP

See application file for complete search history.

(57) **CLAIM**

(56) **References Cited**

We claim the ornamental design for an eyewash device, as shown and described.

U.S. PATENT DOCUMENTS

DESCRIPTION

1,336,109 A	4/1920	Trullinger	
1,557,620 A	10/1925	Robinson	
1,846,763 A	2/1932	Schaefer	
1,944,901 A	1/1934	Mock	
2,019,071 A	10/1935	Carr	
2,320,070 A *	5/1943	Derham et al.	604/295
2,516,818 A *	7/1950	West	604/301
2,524,720 A	10/1950	Watrous	
2,543,163 A	2/1951	Greiner	
2,585,264 A *	2/1952	Mock	604/301
2,626,606 A	1/1953	Campbell	
2,714,975 A	8/1955	Greene	
2,754,821 A	7/1956	Burbig et al.	
2,994,483 A	8/1961	Christian	
3,016,898 A	1/1962	Erwin	
3,121,511 A	2/1964	Whitehead	

FIG. 1 is a perspective view of the claimed design;

FIG. 2 is a top view thereof;

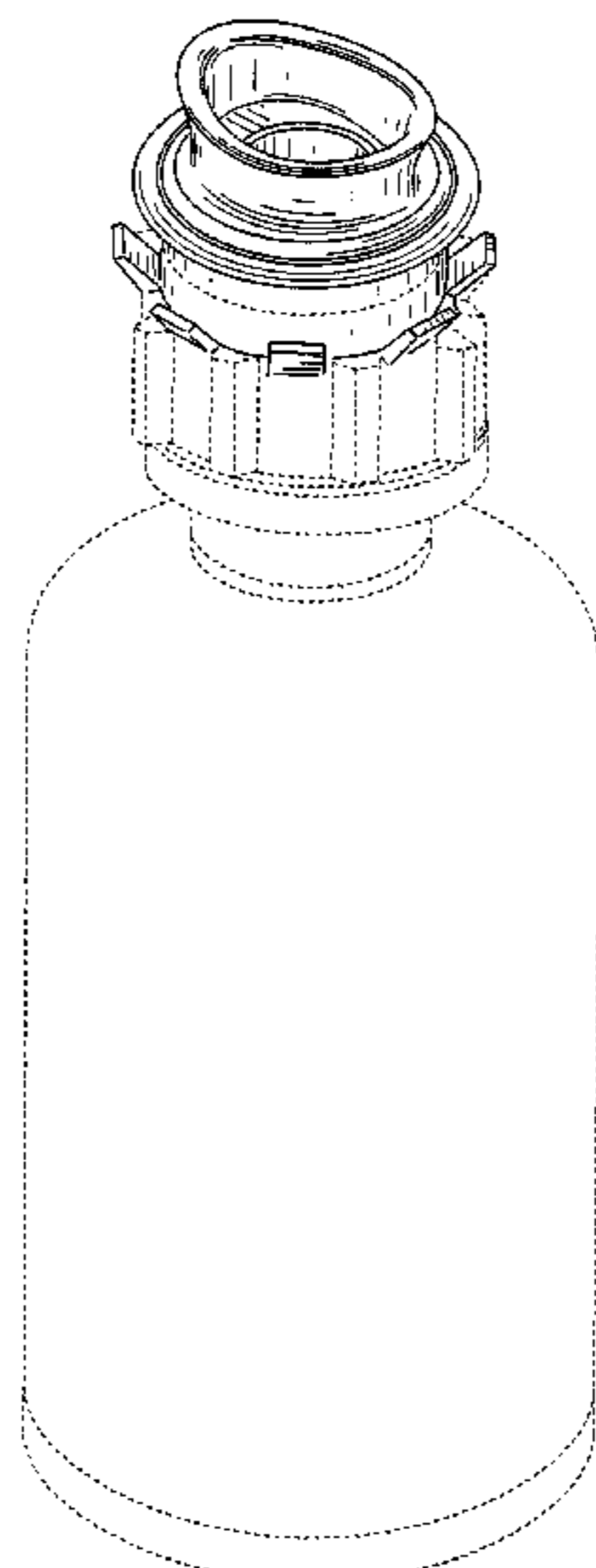
FIG. 3 is a bottom view thereof;

FIG. 4 is a front view thereof, the rear view being identical to FIG. 4; and,

FIG. 5 is a right side view thereof, the left side view being identical to FIG. 5.

The ornamental design which is claimed is shown in solid lines in the drawings. The broken lines in the drawings are for illustrative purposes only and form no part of the claimed design.

1 Claim, 4 Drawing Sheets



US D588,691 S

Page 2

U.S. PATENT DOCUMENTS

3,598,121	A	8/1971	Lelicoff	
3,945,381	A	3/1976	Silver	
4,052,985	A *	10/1977	Coleman et al.	604/301
D248,448	S *	7/1978	McClure et al.	D24/120
4,106,673	A	8/1978	Donoghue	
4,259,953	A	4/1981	Shaw	
4,363,146	A	12/1982	Liautaud	
4,701,167	A *	10/1987	Chekan	604/301
4,740,206	A	4/1988	Allander	
4,758,237	A	7/1988	Sacks	
4,834,728	A *	5/1989	McKenna	604/301
5,007,905	A	4/1991	Bauer	
5,030,214	A	7/1991	Spector	
D325,783	S *	4/1992	Anderson	D24/193
5,201,726	A	4/1993	Kirkham	
5,216,765	A	6/1993	Patterson et al.	
5,314,085	A	5/1994	Collado Bonet	
5,320,615	A	6/1994	Van Keuren	
5,342,327	A	8/1994	Epstein	
5,588,564	A	12/1996	Hutson et al.	
6,032,705	A	3/2000	Murphy et al.	
6,105,639	A	8/2000	Murphy et al.	
6,129,249	A *	10/2000	Jacobsen et al.	222/575
6,398,766	B1	6/2002	Branch	
6,423,040	B1	7/2002	Benktzon et al.	
D461,407	S *	8/2002	Barnes et al.	D9/453
6,540,726	B1 *	4/2003	Follman et al.	604/294
6,547,770	B2	4/2003	Carlsson et al.	
6,758,837	B2	7/2004	Peclat et al.	
D502,771	S *	3/2005	Al Amri	D24/120
6,976,279	B1	12/2005	Berke et al.	
7,011,652	B1	3/2006	Berke et al.	
2002/0004653	A1	1/2002	Carlsson et al.	
2002/0161344	A1	10/2002	Peclat et al.	
2002/0193757	A1	12/2002	Benktzon et al.	
2004/0078010	A1	4/2004	Ahlstrom et al.	
2004/0215157	A1	10/2004	Peclat et al.	
2005/0054992	A1	3/2005	Madritsch et al.	
2006/0011657	A1	1/2006	Wright	
2006/0129113	A1	6/2006	Merrick	

FOREIGN PATENT DOCUMENTS

DE	3302868	8/1984
DE	35 00 549 A1	7/1986

DE	44 09 845 A1	8/1994
DE	101 20 827 A1	11/2001
EP	0 348 228 A1	12/1989
EP	0 685 218 B1	9/1998
EP	0 911 056 A1	4/1999
EP	0 998 895 A1	5/2000
EP	0 986 354 B1	12/2004
GB	2 260 125 A	4/1993
GB	2 362 639 A	11/2001
GB	2 389 314	12/2003
GB	2 392 151 A	2/2004
JP	2001/187106	7/2001
JP	2001/309960	11/2001
JP	2003/144519	5/2003
WO	WO 86/05682	10/1986
WO	WO 87/02237	4/1987
WO	W089/12434	12/1989
WO	WO 96/19177	6/1996
WO	WO 98/55059	12/1998
WO	WO 99/59519	11/1999
WO	WO 01/45632 A1	6/2001
WO	WO 01/72261 A3	10/2001
WO	WO 02/32370 A1	4/2002
WO	WO 02/062488 A1	8/2002
WO	WO 03/065967 A1	8/2003

OTHER PUBLICATIONS

Bradley Corporation, Installation Instructions for OneStep™ Personal Eyewash Station, bearing a designations of “© 2004 Bradley Corporation” and “Jul. 6, 2004”.

Bradley Corporation, Installation Instructions for Opti-Aid® Personal Eyewash Station, bearing a designations of “© 2006 Bradley Corporation” and “Nov. 1, 2006”.

Bradley Corporation, Installation Instructions for Opti-Aid® Plus Personal Eyewash Station, bearing a designations of “© 2006 Bradley Corporation” and “Nov. 1, 2006”.

Bradley Corporation, Installation Instructions for Opti-Aid® Plus Personal Eyewash Station, bearing a designations of “© 2006 Bradley Corporation” and “Sep. 26, 2006”.

* cited by examiner

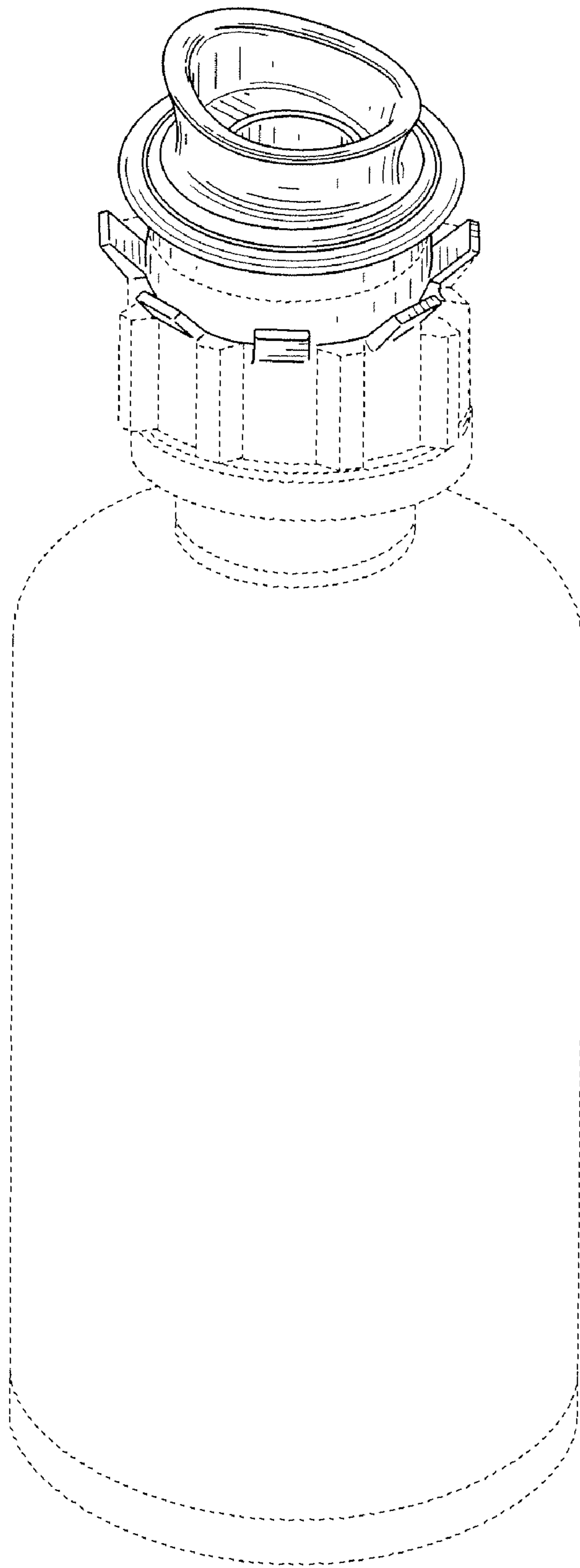


FIG. 1

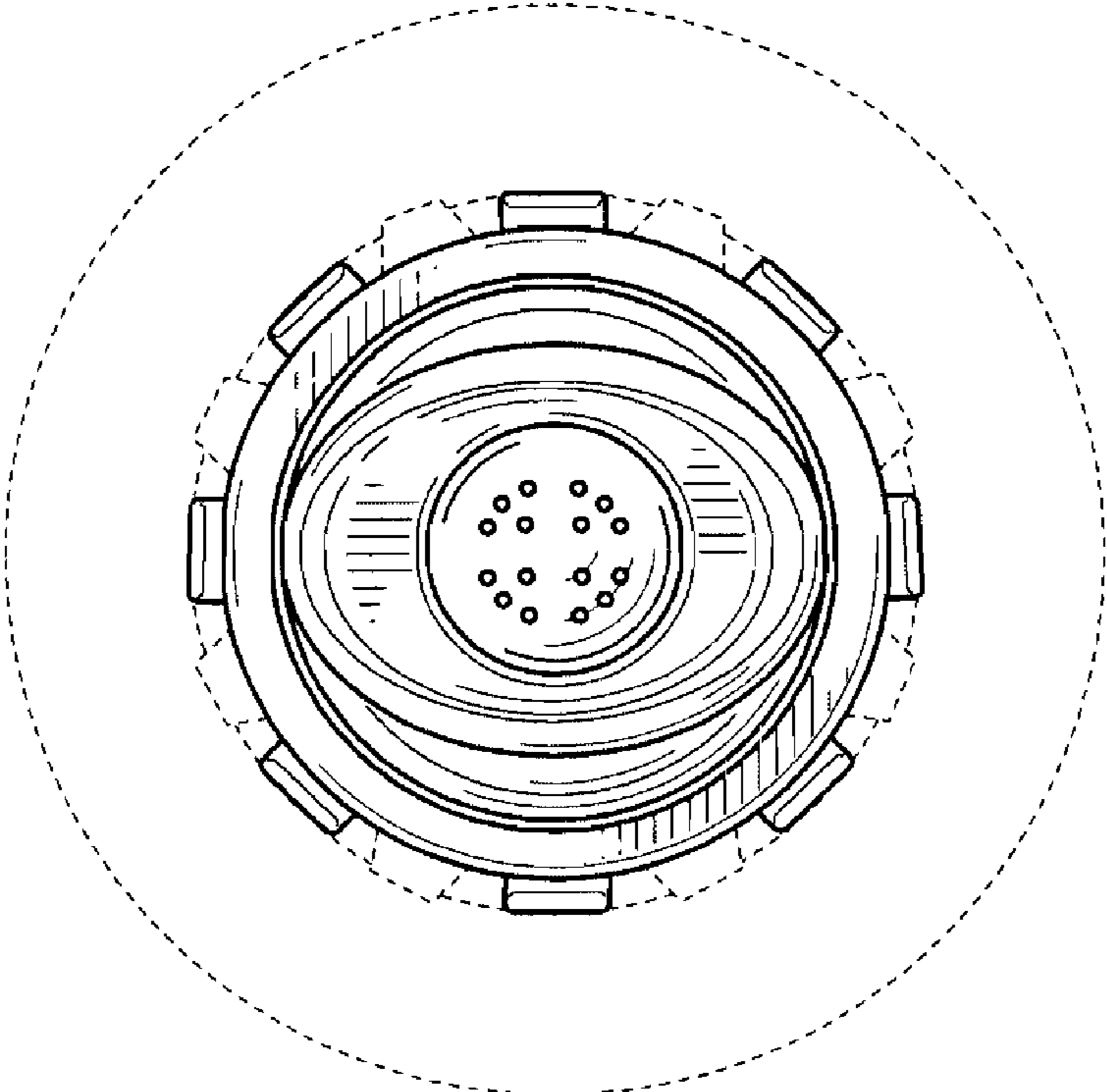


FIG. 2

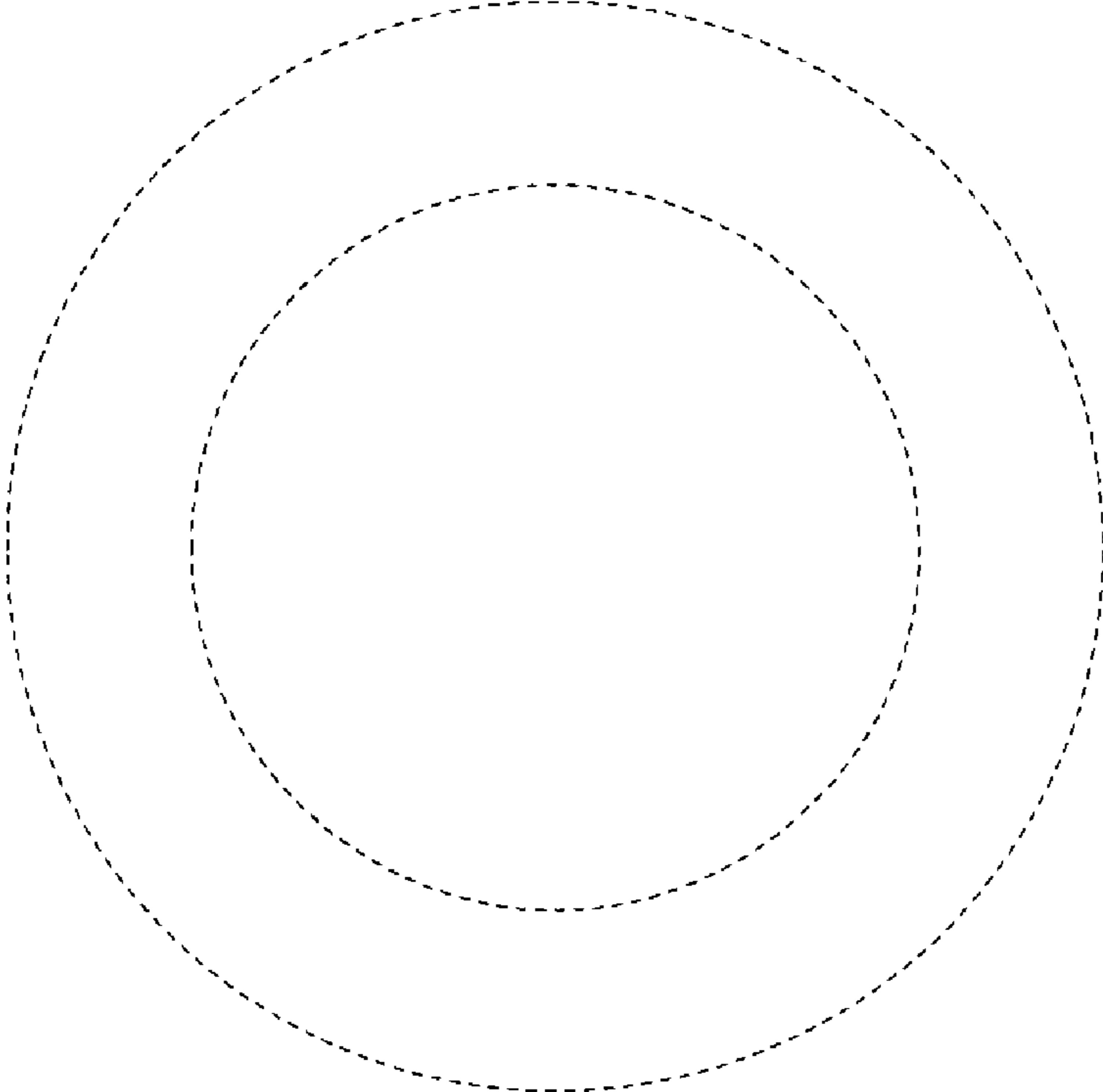


FIG. 3

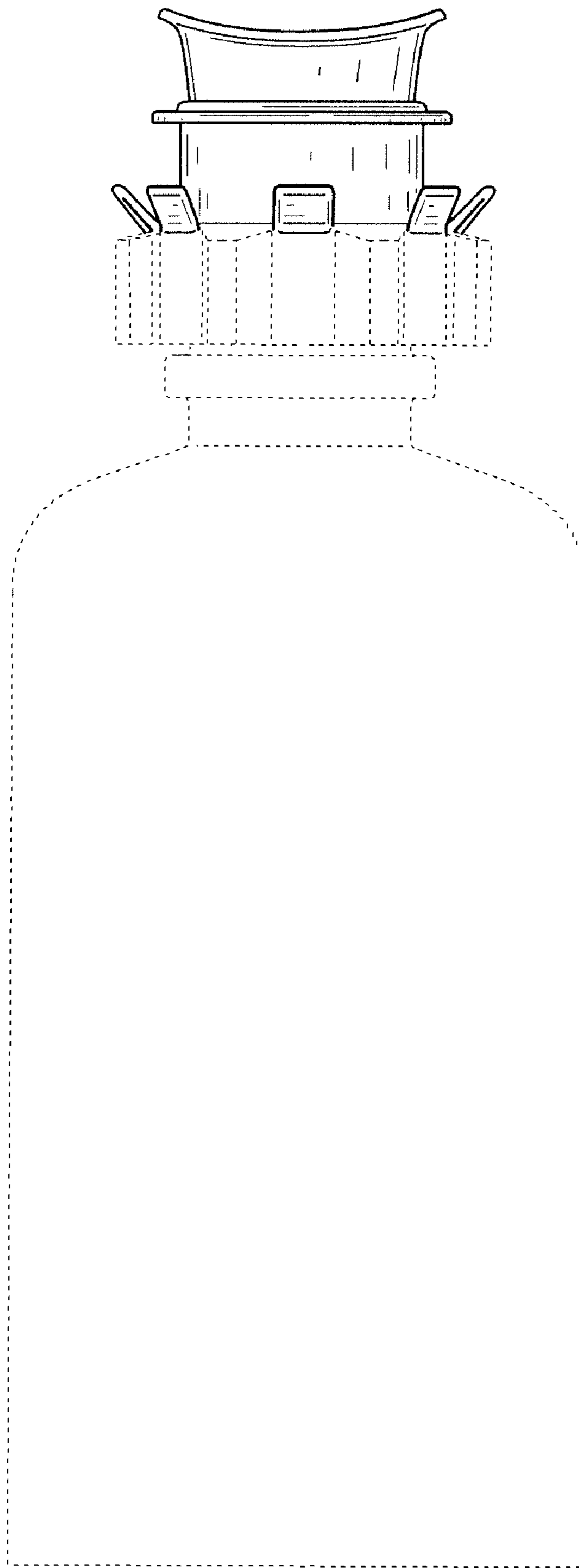


FIG. 4

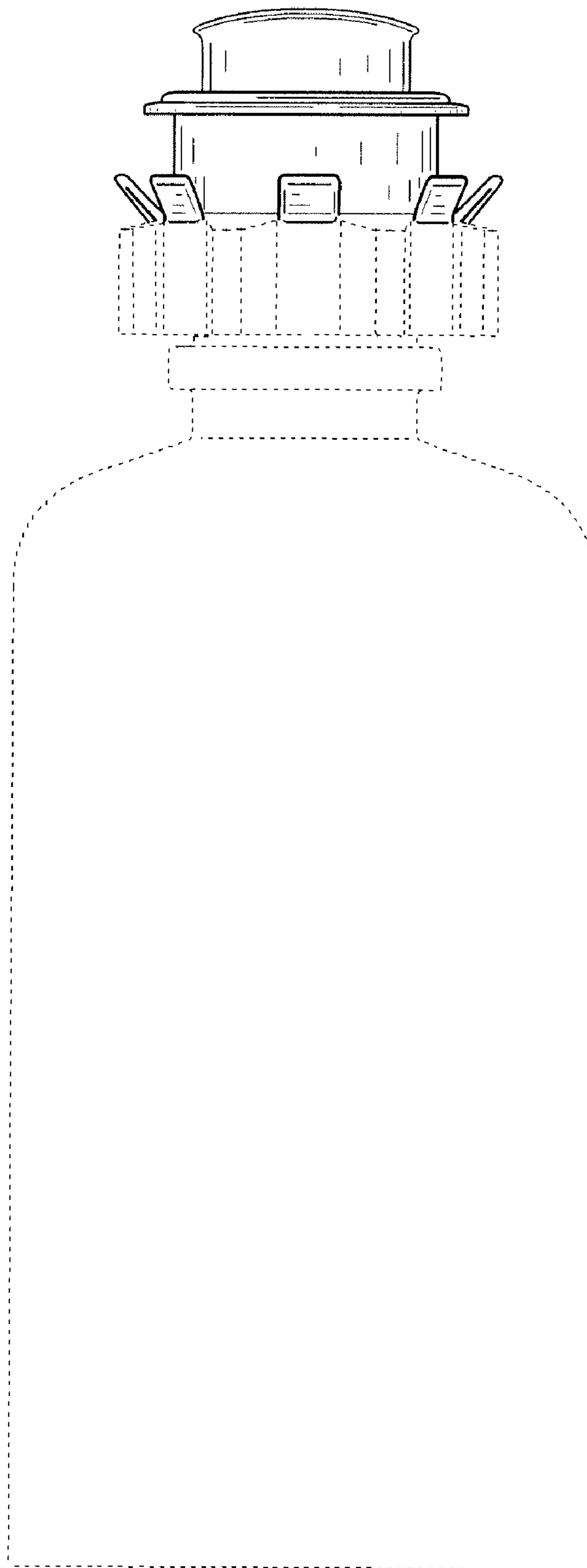


FIG. 5