



US00D588687S

(12) **United States Design Patent**  
**Drucker et al.**

(10) **Patent No.:** **US D588,687 S**  
(45) **Date of Patent:** **\*\* Mar. 17, 2009**

(54) **AIR FRESHENER**

(75) Inventors: **Marc Drucker**, Newton, MA (US);  
**David Harris**, Hollis, NH (US); **Vicki Hofmann**, Scottsdale, AZ (US); **Eric MacLean**, Scottsdale, AZ (US); **Heather A. Schneider**, Scottsdale, AZ (US);  
**Nancy Miiller**, Cave Creek, AZ (US)

(73) Assignee: **The Dial Corporation**, Scottsdale, AZ (US)

(\*\*) Term: **14 Years**

(21) Appl. No.: **29/291,734**

(22) Filed: **Sep. 12, 2007**

(51) **LOC (9) Cl.** ..... **28-99**

(52) **U.S. Cl.** ..... **D23/366**

(58) **Field of Classification Search** ..... D23/355-396;  
261/DIG. 17, DIG. 43, DIG. 65, DIG. 88,  
261/DIG. 89; 239/34, 35, 53, 56, 57, 60,  
239/136, 326; 392/386, 394, 395; D28/5,  
D28/6

See application file for complete search history.

(56) **References Cited**

**U.S. PATENT DOCUMENTS**

D224,783 S \* 9/1972 Jones ..... D23/369  
D283,594 S \* 4/1986 MacLaughlin et al. .... D9/500

D284,451 S \* 7/1986 Fortuna ..... D9/504  
D370,704 S \* 6/1996 Oberhoff ..... D21/684  
D453,373 S \* 2/2002 Drake et al. .... D23/366  
D469,174 S \* 1/2003 Majerowski et al. .... D23/366  
D510,135 S \* 9/2005 Mariotti ..... D23/366  
6,994,270 B2 \* 2/2006 Wongosari et al. .... 239/34  
D541,923 S \* 5/2007 Castillo Higareda ..... D23/366  
7,278,589 B2 \* 10/2007 Wongosari et al. .... 239/60

\* cited by examiner

*Primary Examiner*—Sandra Snapp

(74) *Attorney, Agent, or Firm*—Paul A. Pappalardo

(57) **CLAIM**

The ornamental design for an air freshener, as shown and described.

**DESCRIPTION**

FIG. 1 is an upper perspective view of an air freshener embodying our new design;

FIG. 2 is a front side elevation view thereof;

FIG. 3 is a rear side elevation view thereof;

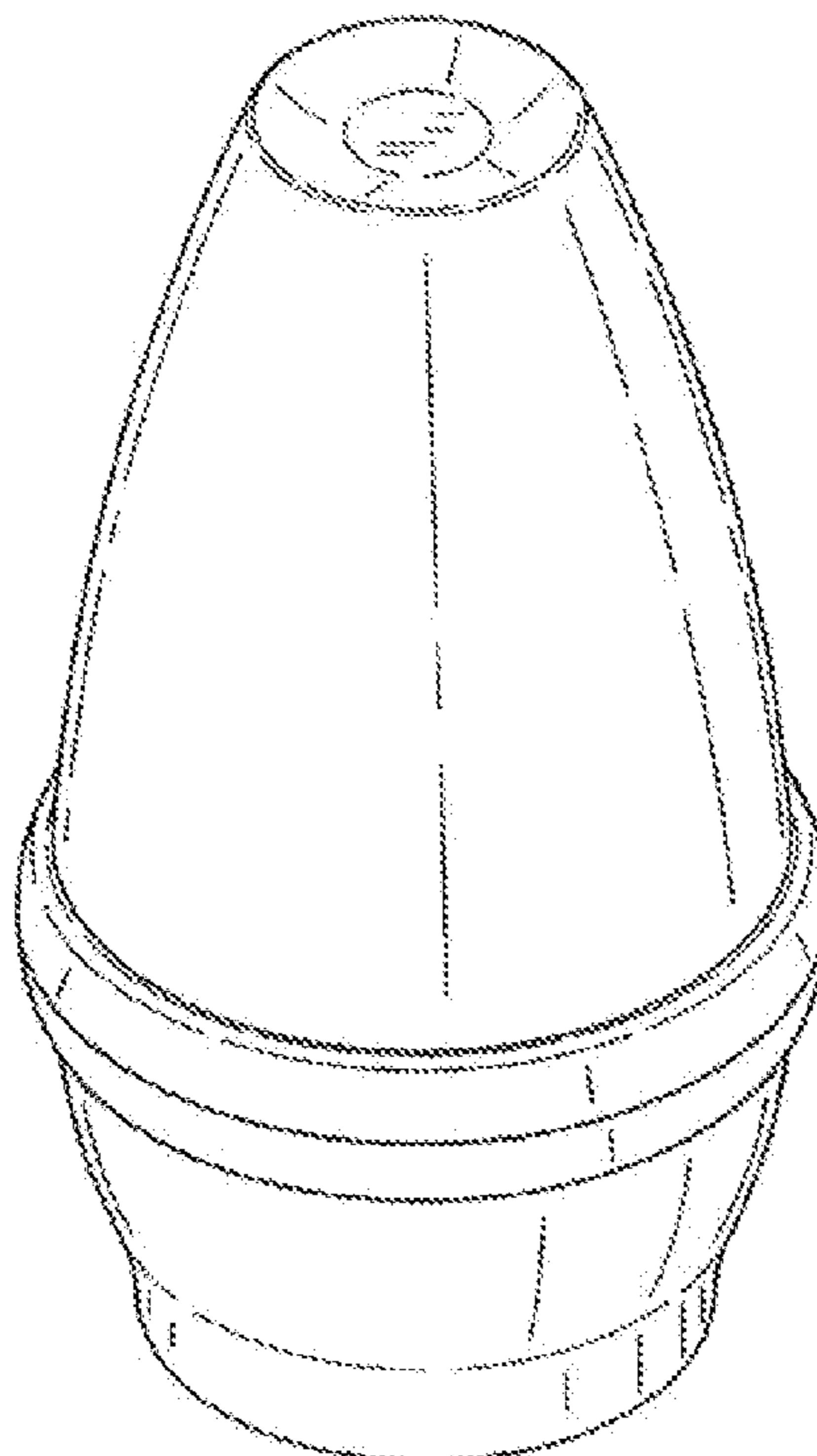
FIG. 4 is a right side elevation view thereof;

FIG. 5 is a left side elevation view thereof;

FIG. 6 is a top plan view thereof; and,

FIG. 7 is a bottom plan view thereof.

**1 Claim, 4 Drawing Sheets**



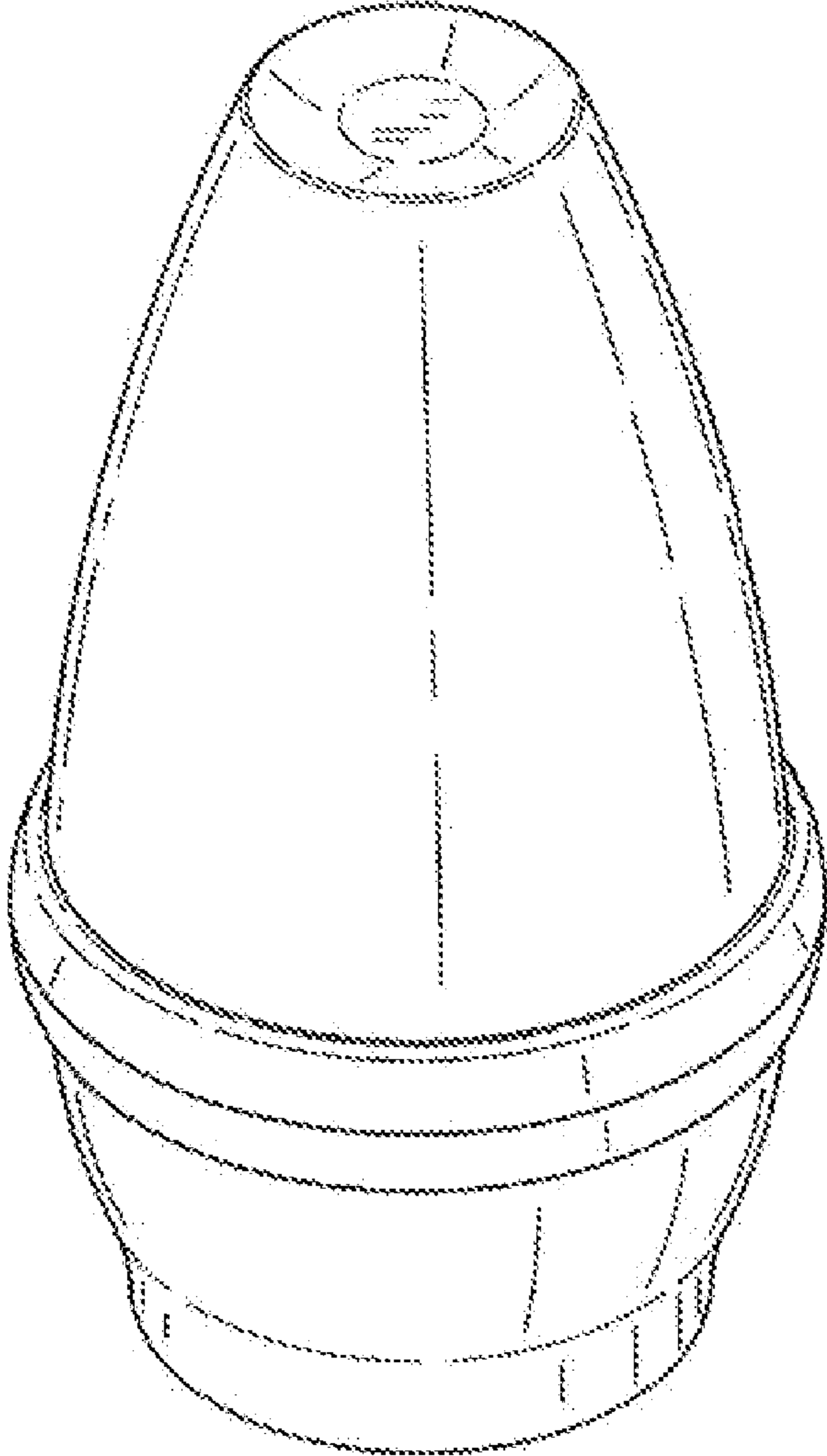


FIG. 1

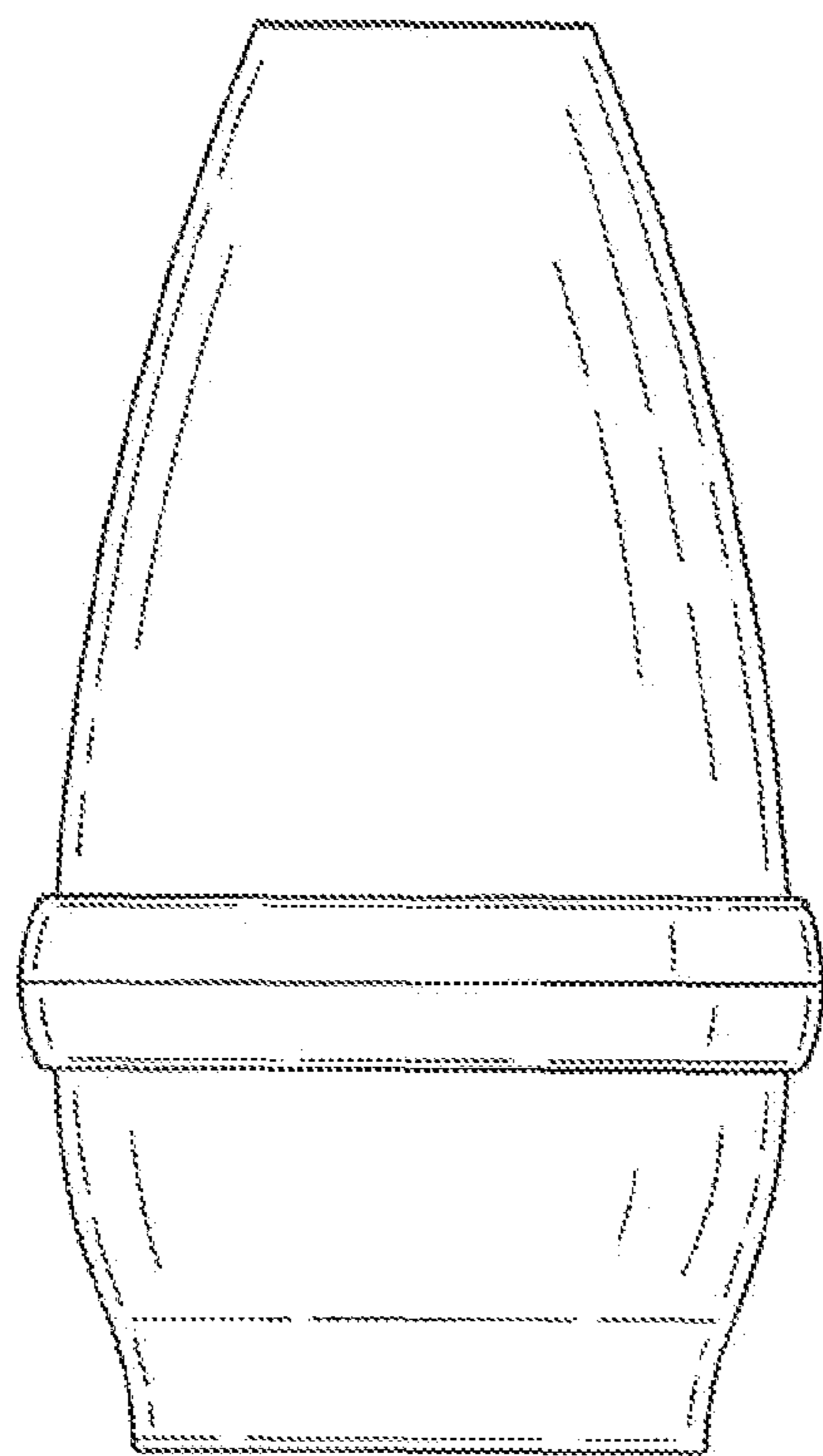


FIG. 2

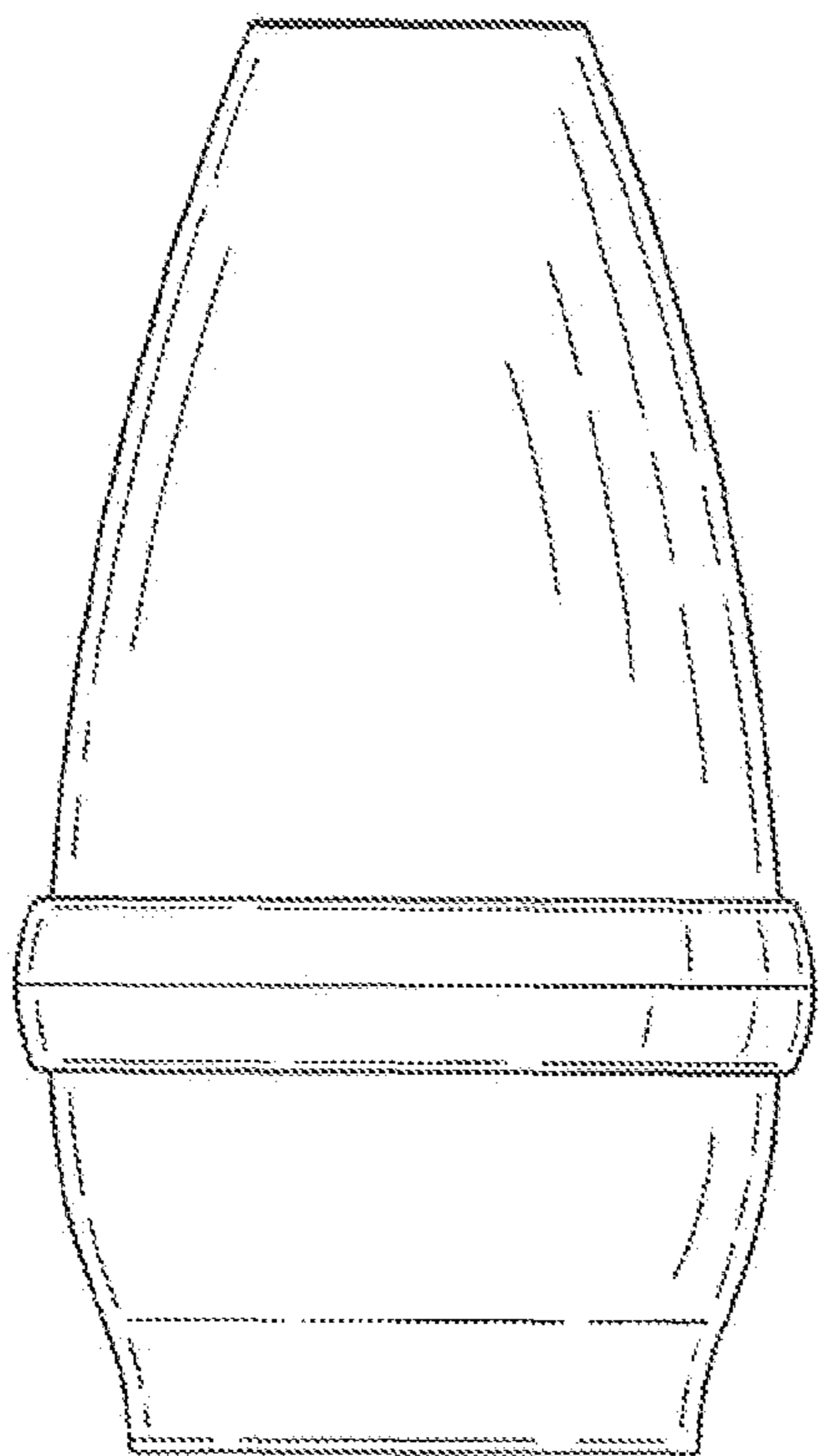


FIG. 3

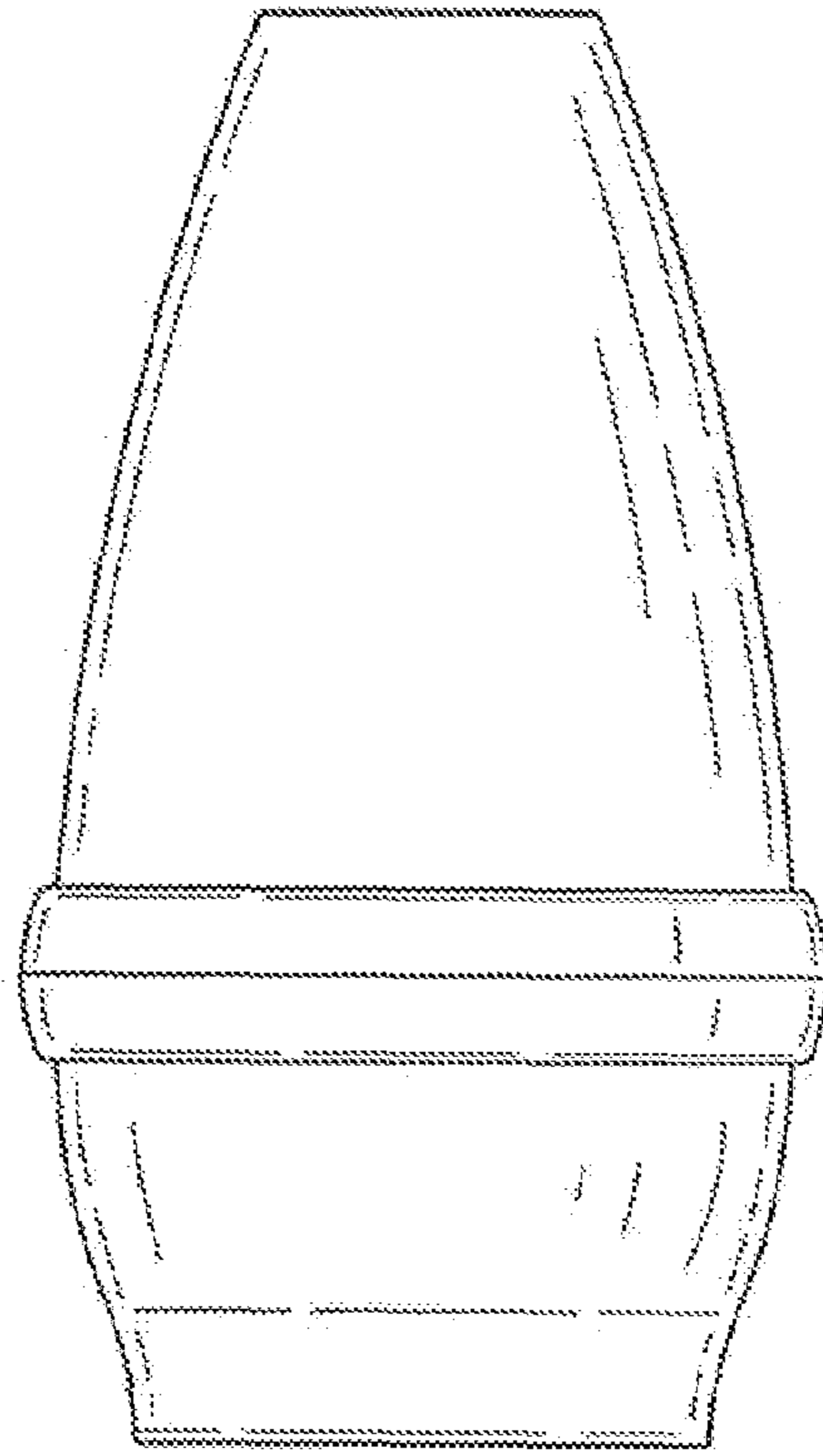


FIG. 4

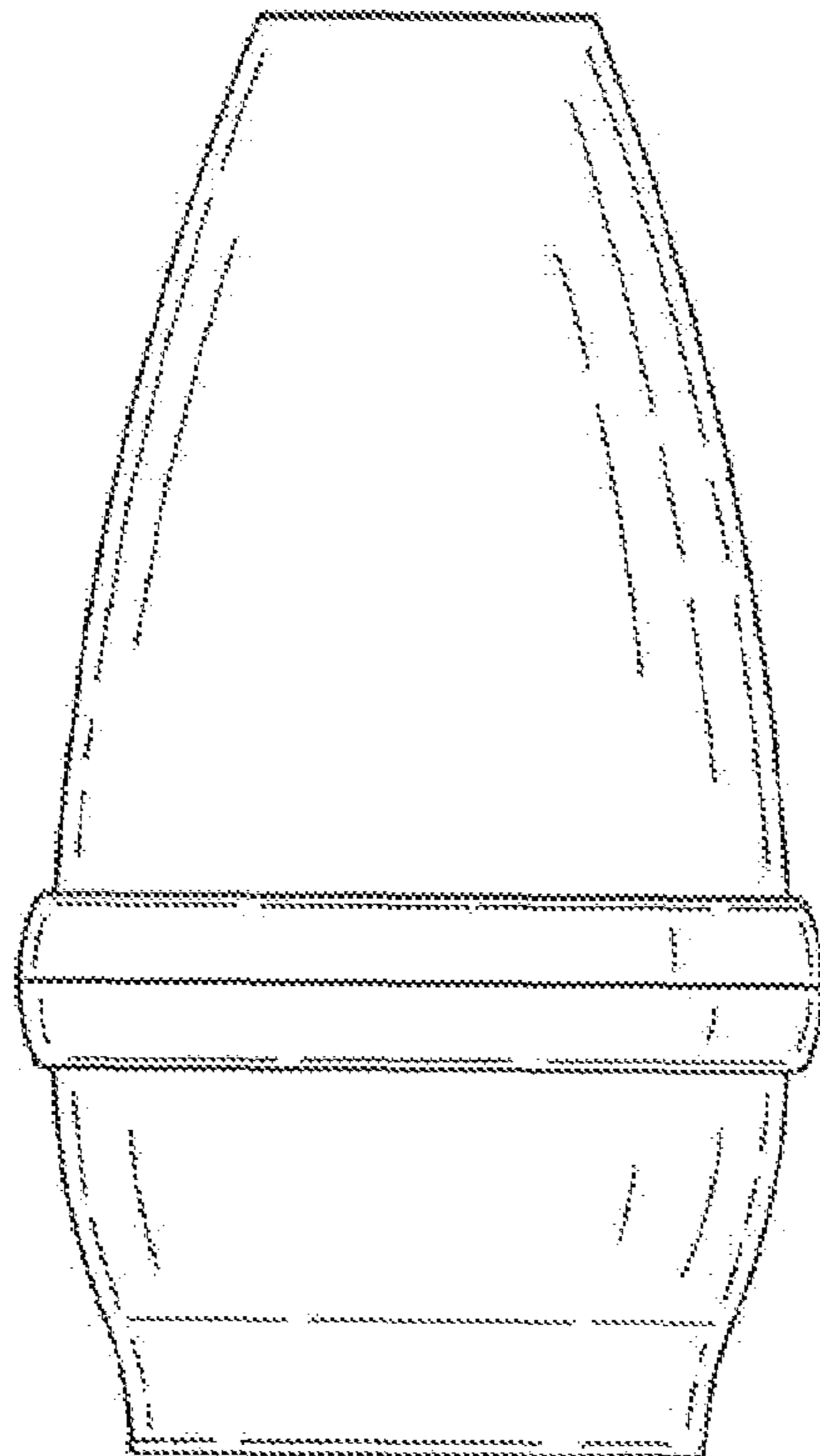


FIG. 5

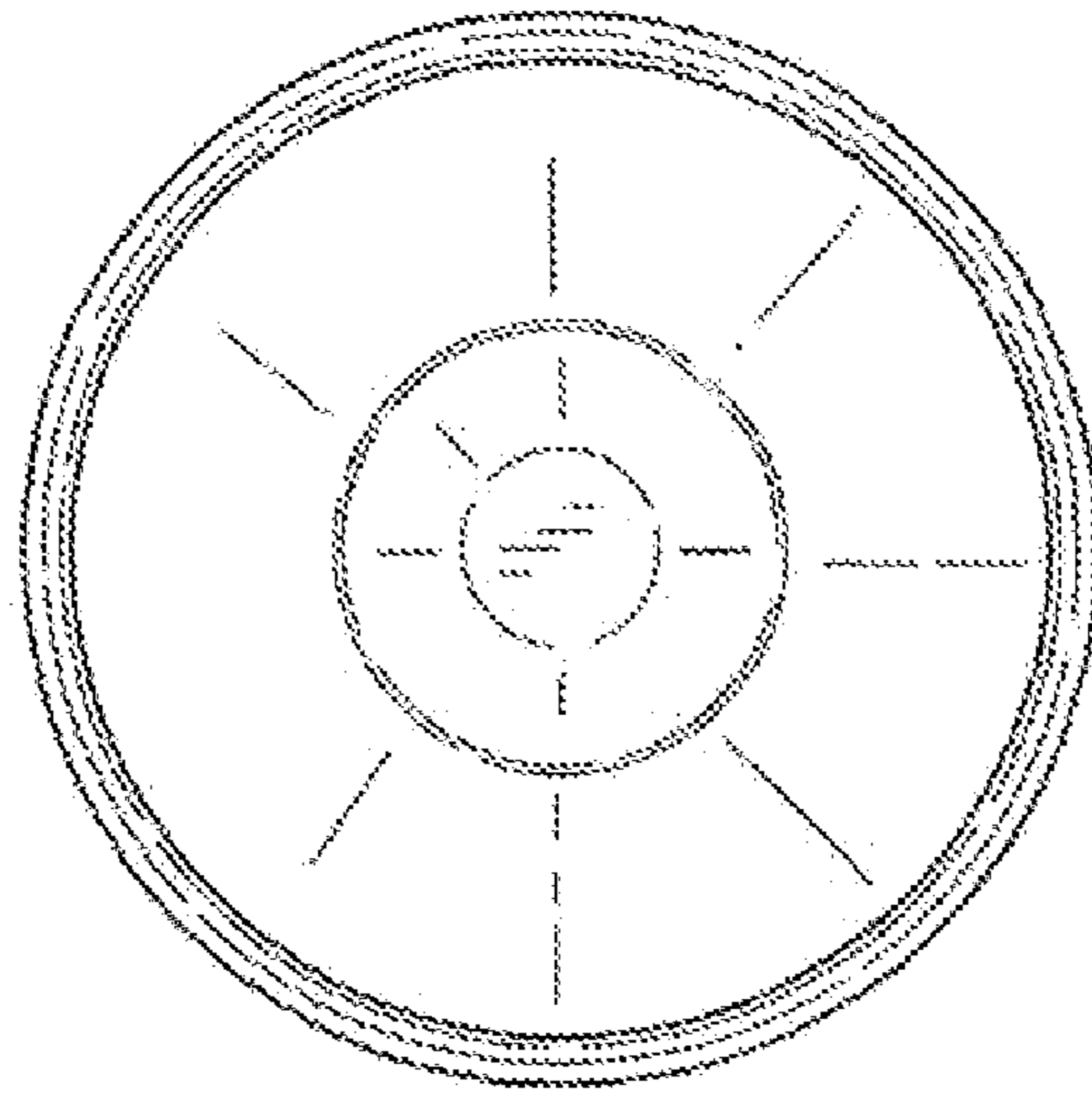


FIG. 6

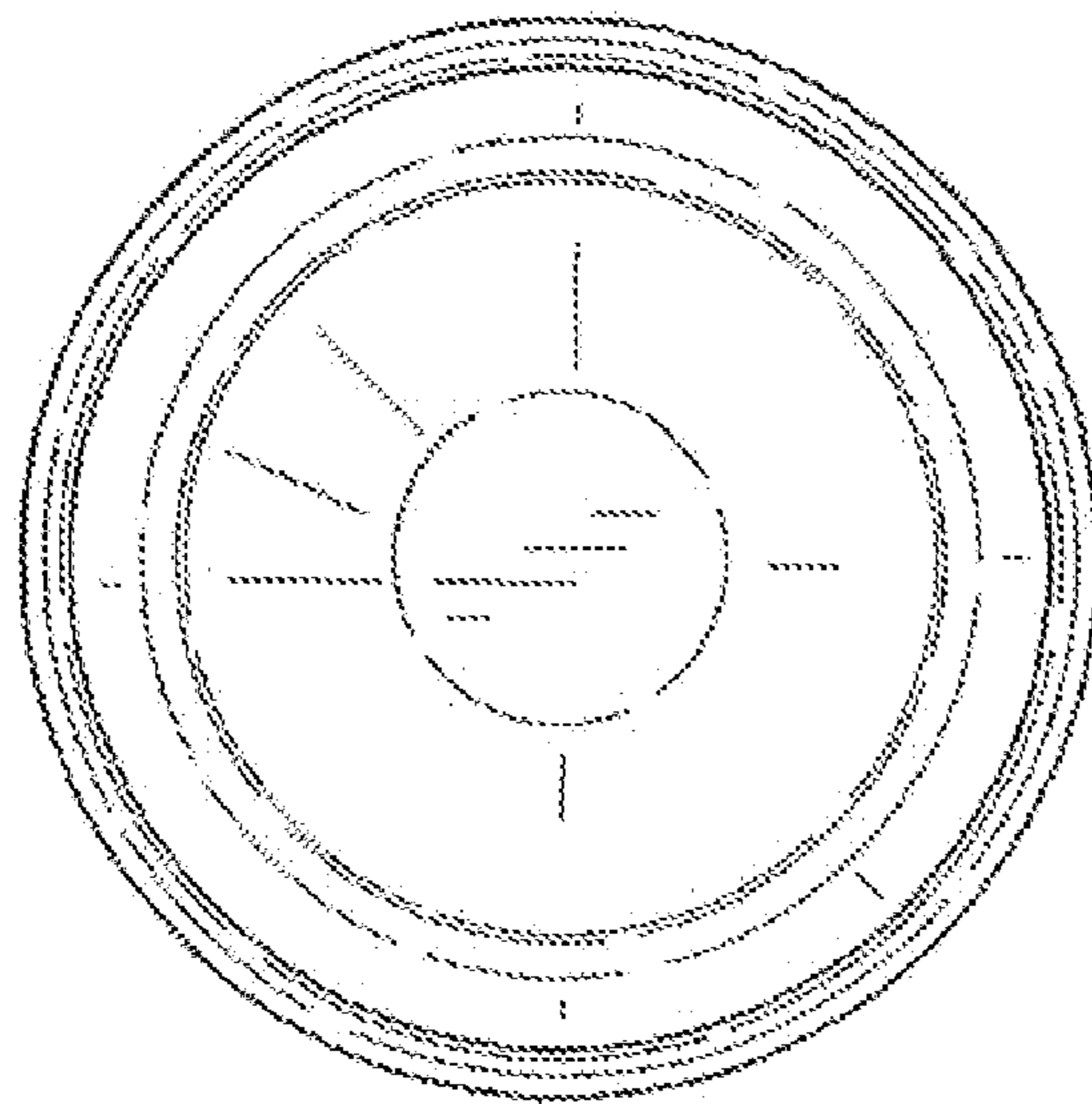


FIG. 7