



(12) **United States Design Patent**  
**Chong**

(10) **Patent No.:** **US D588,685 S**  
(45) **Date of Patent:** **\*\* Mar. 17, 2009**

(54) **SINK RIM PROFILE**

(75) Inventor: **Jonathan C. Chong**, Chicago, IL (US)

(73) Assignee: **Elkay Manufacturing Company**, Oak Brook, IL (US)

(\*\*) Term: **14 Years**

(21) Appl. No.: **29/306,289**

(22) Filed: **Apr. 4, 2008**

(51) **LOC (9) Cl.** ..... **23-02**

(52) **U.S. Cl.** ..... **D23/308**

(58) **Field of Classification Search** ..... D23/271–274,  
D23/284, 287, 291–293.1, 303, 308, 290;  
4/630, 631, 637, 638, 661, 639–642, 619,  
4/663–664

See application file for complete search history.

(56) **References Cited**

**U.S. PATENT DOCUMENTS**

D198,305 S 6/1964 Graning, Jr.

(Continued)

**OTHER PUBLICATIONS**

American Standard, “Chandler Corian® Kitchen Sink,” retrieved from [http://www.americanstandard-us.com/ProductNew\\_Printable.asp?prodID=195](http://www.americanstandard-us.com/ProductNew_Printable.asp?prodID=195) on Jan. 13, 2006.

(Continued)

*Primary Examiner*—Robert A Delehanty

(74) *Attorney, Agent, or Firm*—Leydig, Voit & Mayer, Ltd.

(57) **CLAIM**

The ornamental design for a sink rim profile, as shown and described.

**DESCRIPTION**

FIG. 1 is a perspective view taken from the top, front, and right side of an embodiment of a sink rim showing my new design of a sink rim profile;

FIG. 2 is a top plan view of the embodiment shown in FIG. 1;

FIG. 3 is a bottom view of the embodiment shown in FIG. 1;

FIG. 4 is a front elevational view of the embodiment shown in FIG. 1;

FIG. 5 is a rear elevational view of the embodiment shown in FIG. 1;

FIG. 6 is a left elevational side view of the embodiment shown in FIG. 1;

FIG. 7 is a right elevational side view of the embodiment shown in FIG. 1;

FIG. 8 is a perspective view taken from the top, front, and right side of another embodiment of a sink rim showing my new design of a sink rim profile;

FIG. 9 is a top plan view of the embodiment shown in FIG. 8;

FIG. 10 is a bottom view of the embodiment shown in FIG. 8;

FIG. 11 is a front elevational view of the embodiment shown in FIG. 8;

FIG. 12 is a rear elevational view of the embodiment shown in FIG. 8;

FIG. 13 is a left elevational side view of the embodiment m shown in FIG. 8;

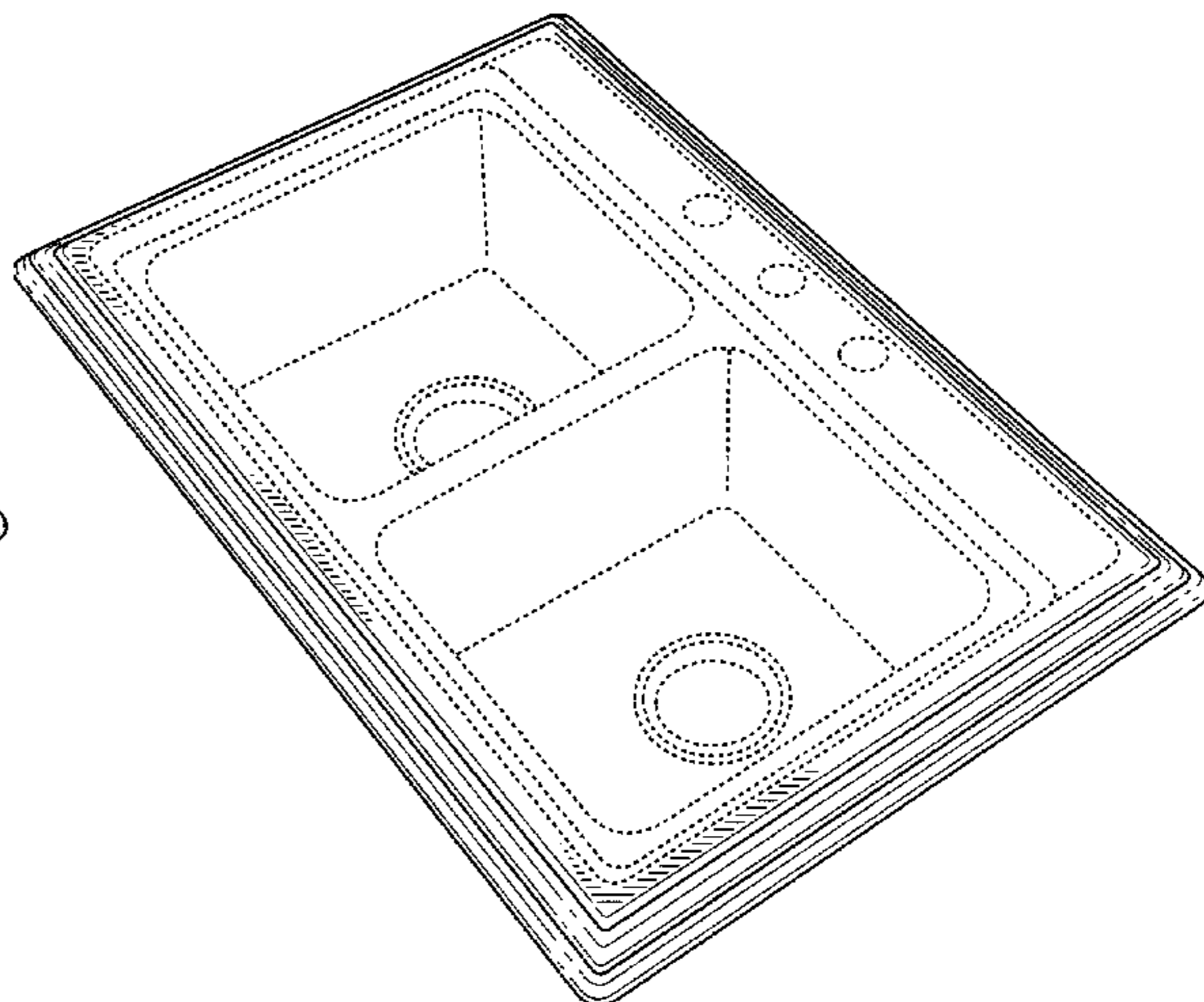
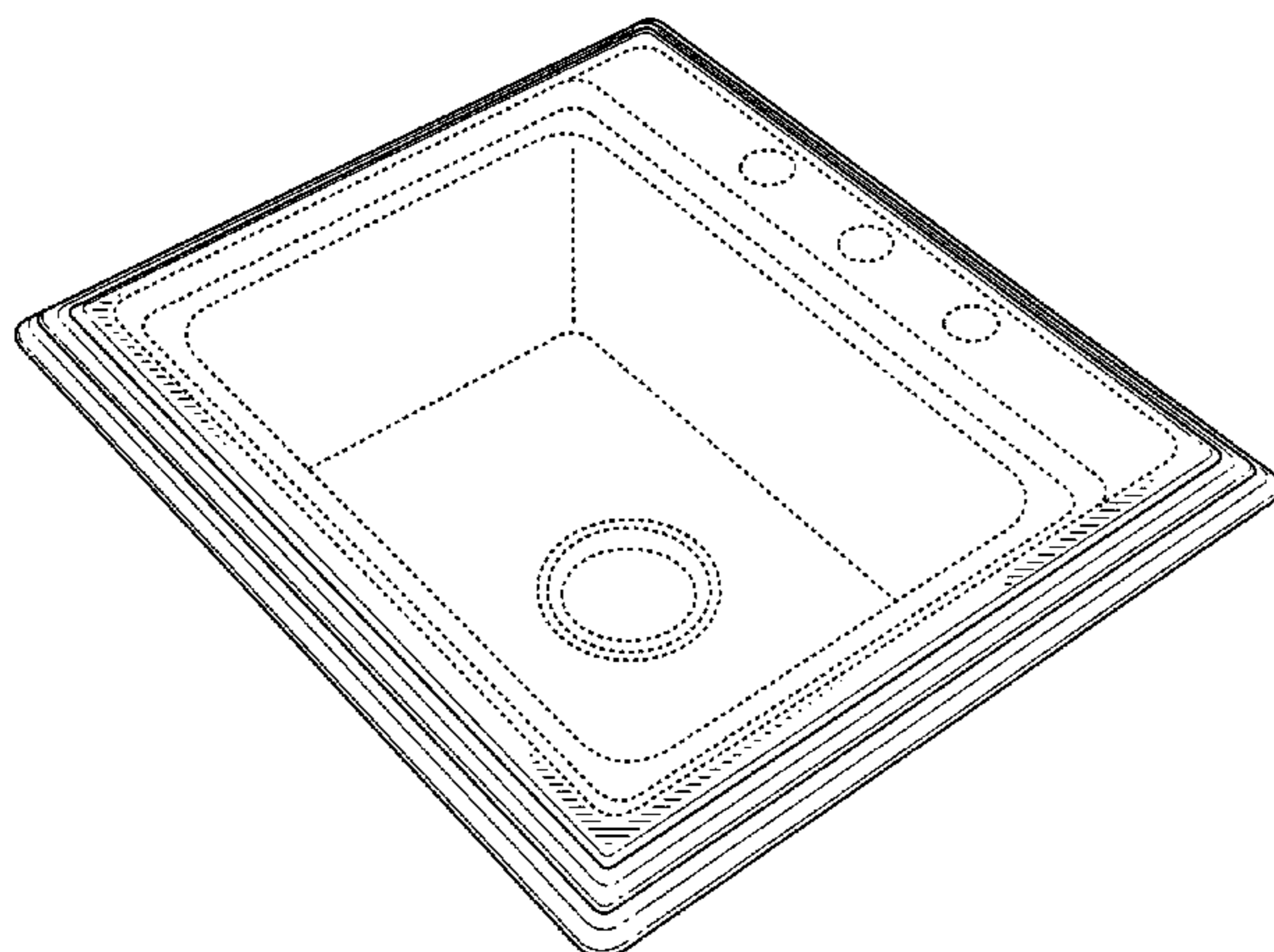
FIG. 14 is a right elevational side view of the embodiment shown in FIG. 8; and,

FIG. 15 is an enlarged fragmentary cross-sectional view illustrating my sink rim profile taken through line 15—15 as shown in FIGS. 2 and 9.

It will be appreciated that my sink rim profile design as shown in the enlarged fragmentary cross-sectional view in FIG. 15 can be used with sinks having peripheral shapes other than the rectangular shapes depicted herein.

The broken lines are for illustration purposes only and form no part of the claimed design.

**1 Claim, 11 Drawing Sheets**



U.S. PATENT DOCUMENTS

D234,199 S 1/1975 Stairs, Jr.  
 D234,427 S 3/1975 Stairs, Jr.  
 D234,464 S 3/1975 Stairs, Jr.  
 D295,068 S 4/1988 Kohler, Jr. et al.  
 D297,162 S 8/1988 Mück et al.  
 D319,301 S 8/1991 Ris  
 D319,302 S 8/1991 Ris  
 D323,878 S 2/1992 Sauter et al.  
 D325,246 S 4/1992 Sauter et al.  
 D326,141 S 5/1992 Evatt et al.  
 D326,902 S 6/1992 Bonnell  
 D345,784 S 4/1994 O'Connell et al.  
 D346,014 S 4/1994 Berge et al.  
 D351,221 S 10/1994 Berge et al.  
 D352,771 S 11/1994 Walsh et al.  
 D353,878 S 12/1994 Hauser, II  
 D353,879 S 12/1994 Hauser, II  
 D353,880 S 12/1994 Hauser, II  
 D354,119 S 1/1995 Hauser, II  
 D355,023 S 1/1995 Kolada  
 5,683,638 A 11/1997 Crigler et al.  
 D393,057 S 3/1998 Gardner et al.  
 D393,699 S 4/1998 Bonnell  
 D395,699 S 6/1998 Hundley  
 D398,706 S 9/1998 Gardner et al.  
 D402,358 S 12/1998 Bonnell  
 D420,727 S 2/2000 Hundley  
 D421,105 S 2/2000 Bonnell et al.  
 D425,187 S 5/2000 Adamavich  
 D427,670 S 7/2000 Svendsen et al.  
 D451,585 S 12/2001 Svendsen et al.  
 D455,821 S 4/2002 Bayer et al.  
 D464,125 S 10/2002 Bayer et al.  
 D464,126 S 10/2002 Bayer et al.  
 D464,411 S 10/2002 Bayer et al.  
 D469,524 S \* 1/2003 Roberts ..... D23/308  
 D471,263 S 3/2003 Bayer et al.  
 D473,292 S 4/2003 Paredes  
 D494,258 S 8/2004 Arnold  
 D498,831 S 11/2004 Bayer et al.  
 D500,357 S 12/2004 Bayer et al.  
 D504,169 S 4/2005 Gross et al.  
 D504,716 S 5/2005 Bayer et al.  
 D508,115 S 8/2005 Sutopo  
 D518,561 S 4/2006 Gordon  
 D545,408 S 6/2007 Plikuhn  
 D545,409 S 6/2007 Plikuhn

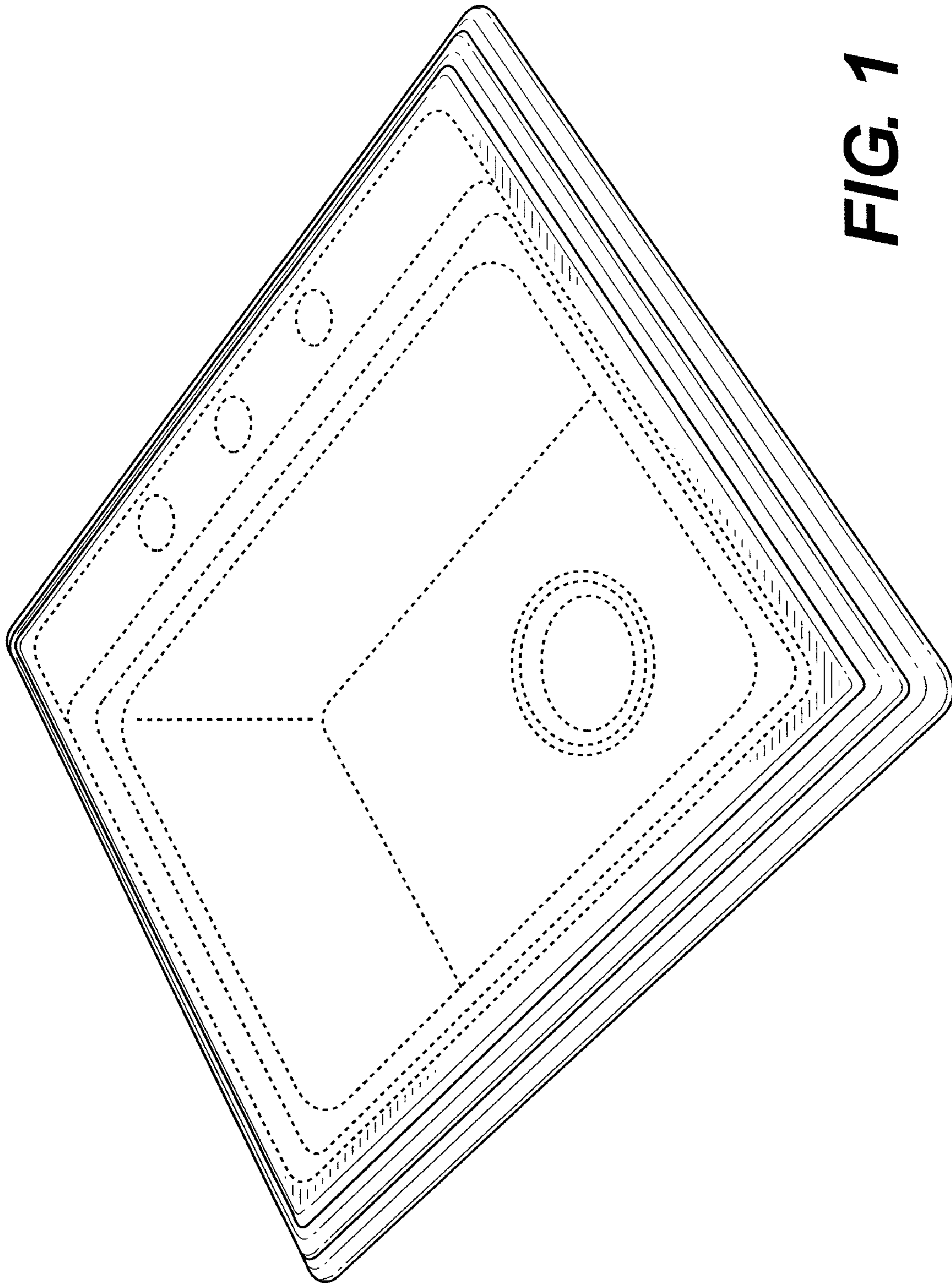
D547,838 S 7/2007 Plikuhn  
 D556,298 S 11/2007 Sutopo  
 D556,299 S 11/2007 Sutopo

OTHER PUBLICATIONS

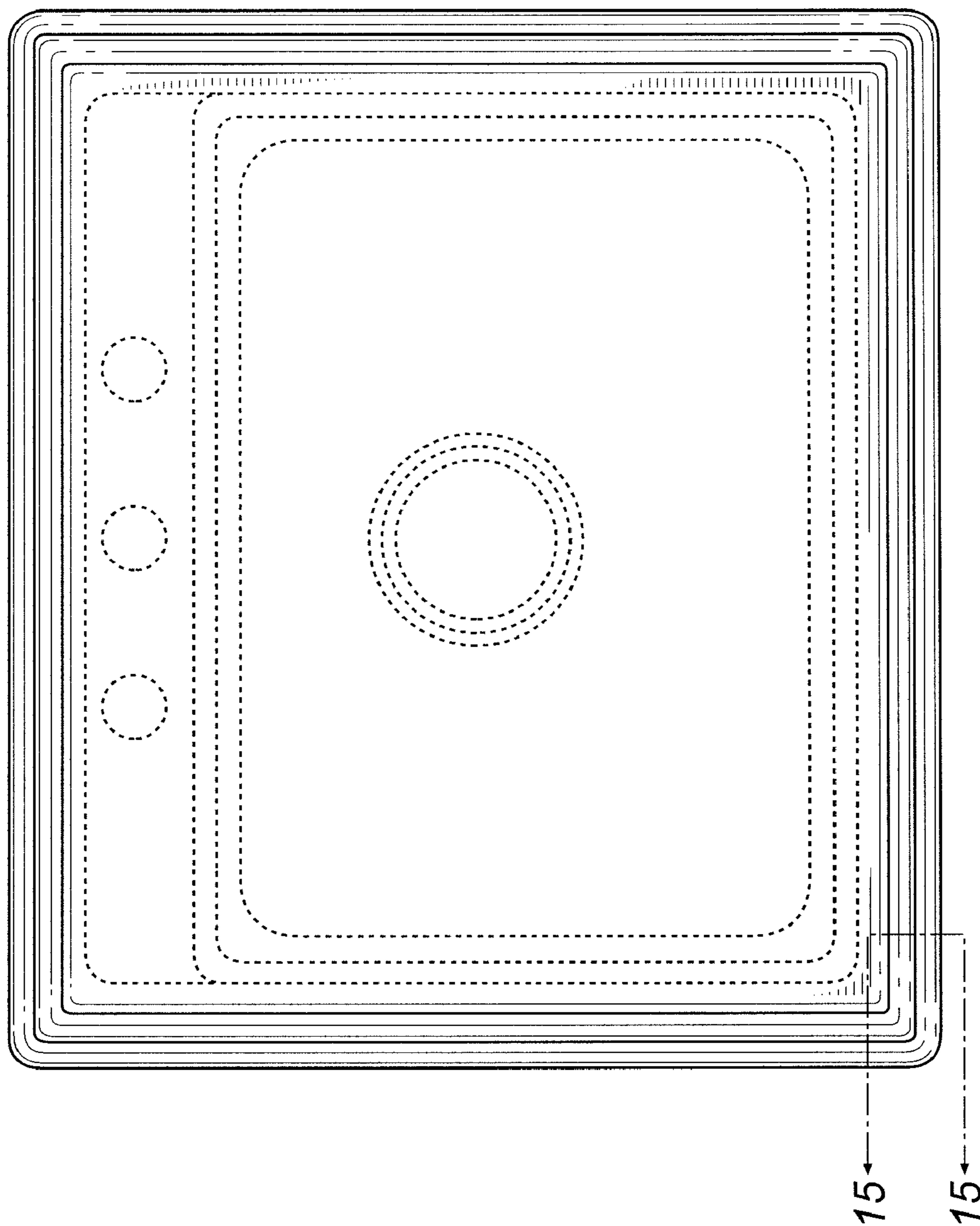
American Standard, "Silhouette 33" Double Bowl Kitchen Sink," retrieved from [http://www.americanstandard-us.com/ProductNew\\_Printable.asp?prodID=199](http://www.americanstandard-us.com/ProductNew_Printable.asp?prodID=199) on Jan. 13, 2006.  
 American Standard, "Silhouette 33" Shallow Double Bowl Kitchen Sink," retrieved from [http://www.americanstandard-us.com/ProductNew\\_Printable.asp?prodID=207](http://www.americanstandard-us.com/ProductNew_Printable.asp?prodID=207) on Jan. 13, 2006.  
 American Standard, "Silhouette Island Sink," retrieved from [http://www.americanstandard-us.com/ProductNew\\_Printable.asp?prodID=203](http://www.americanstandard-us.com/ProductNew_Printable.asp?prodID=203) on Jan. 13, 2006.  
 American Standard, "Silhouette Single Bowl Kitchen Sink," retrieved from [http://www.americanstandard-us.com/ProductNew\\_Printable.asp?prodID=202](http://www.americanstandard-us.com/ProductNew_Printable.asp?prodID=202) on Jan. 13, 2006.  
 American Standard, "Culinaire™ Top Mount Double Bowl Kitchen Sink," retrieved from [http://www.americanstandard-us.com/ProductNew\\_Printable.asp?prodID=1300](http://www.americanstandard-us.com/ProductNew_Printable.asp?prodID=1300) on Jan. 13, 2006.  
 Blanco America, "Blancodiamond™ Prep Sink," retrieved from [http://www.blancoamerica.com/\\_BarSinks/511-661.htm?tmp=sink](http://www.blancoamerica.com/_BarSinks/511-661.htm?tmp=sink) on Jan. 13, 2006.  
 Franke, "Orca ORX-610," retrieved from <http://www.frankeksd.com/printproduct.php?node=10&1v1=2&parent=24&id=298> on Jan. 13, 2006.  
 Franke, "FHP Sinks," retrieved from [http://www.fhpsinks.com/P\\_Granite/granitespecs.htm](http://www.fhpsinks.com/P_Granite/granitespecs.htm) on Jan. 13, 2006.  
 Franke, "Regatta RGX-620," retrieved from <http://www.frankeksd.com/printproduct.php?node=10&1v1=2&parent=25&id=17> on Jan. 13, 2006.  
 Kohler, "The Bold Look of Kohler: All Sinks," retrieved from [http://www.us.kohler.com/onlinecatalog/product\\_result.jsp?showAll=true&section=1&category=5&subcategory=36&frm=null&module=Kitchen+Sinks&cat\\_count=7&QS\\_0=All&QS\\_1=All&QS\\_2=All&QS\\_3=All&QS\\_4=All&QS\\_5=All&QS\\_6=All&sort=Default](http://www.us.kohler.com/onlinecatalog/product_result.jsp?showAll=true&section=1&category=5&subcategory=36&frm=null&module=Kitchen+Sinks&cat_count=7&QS_0=All&QS_1=All&QS_2=All&QS_3=All&QS_4=All&QS_5=All&QS_6=All&sort=Default) on Aug. 6, 2005.  
 Kohler, "The Bold Look of Kohler: Staccato™ double-basin self-rimming kitchen sink with single-hole faucet punching," retrieved from [http://www.us.kohler.com/onlinecatalog/print.jsp?item=6406402&prod\\_num=3369-1&category=5&frm=null](http://www.us.kohler.com/onlinecatalog/print.jsp?item=6406402&prod_num=3369-1&category=5&frm=null) on Jan. 11, 2006.  
 Kohler, "The Bold Look of Kohler: Staccato™ large/medium self-rimming kitchen sink," retrieved from [http://www.us.kohler.com/onlinecatalog/detail.jsp?from=thumb&frm=null&module=Kitchen+Sinks&item=6306002&prod\\_num=3361-1&section=1&category=5](http://www.us.kohler.com/onlinecatalog/detail.jsp?from=thumb&frm=null&module=Kitchen+Sinks&item=6306002&prod_num=3361-1&section=1&category=5) on Jan. 11, 2006.

\* cited by examiner

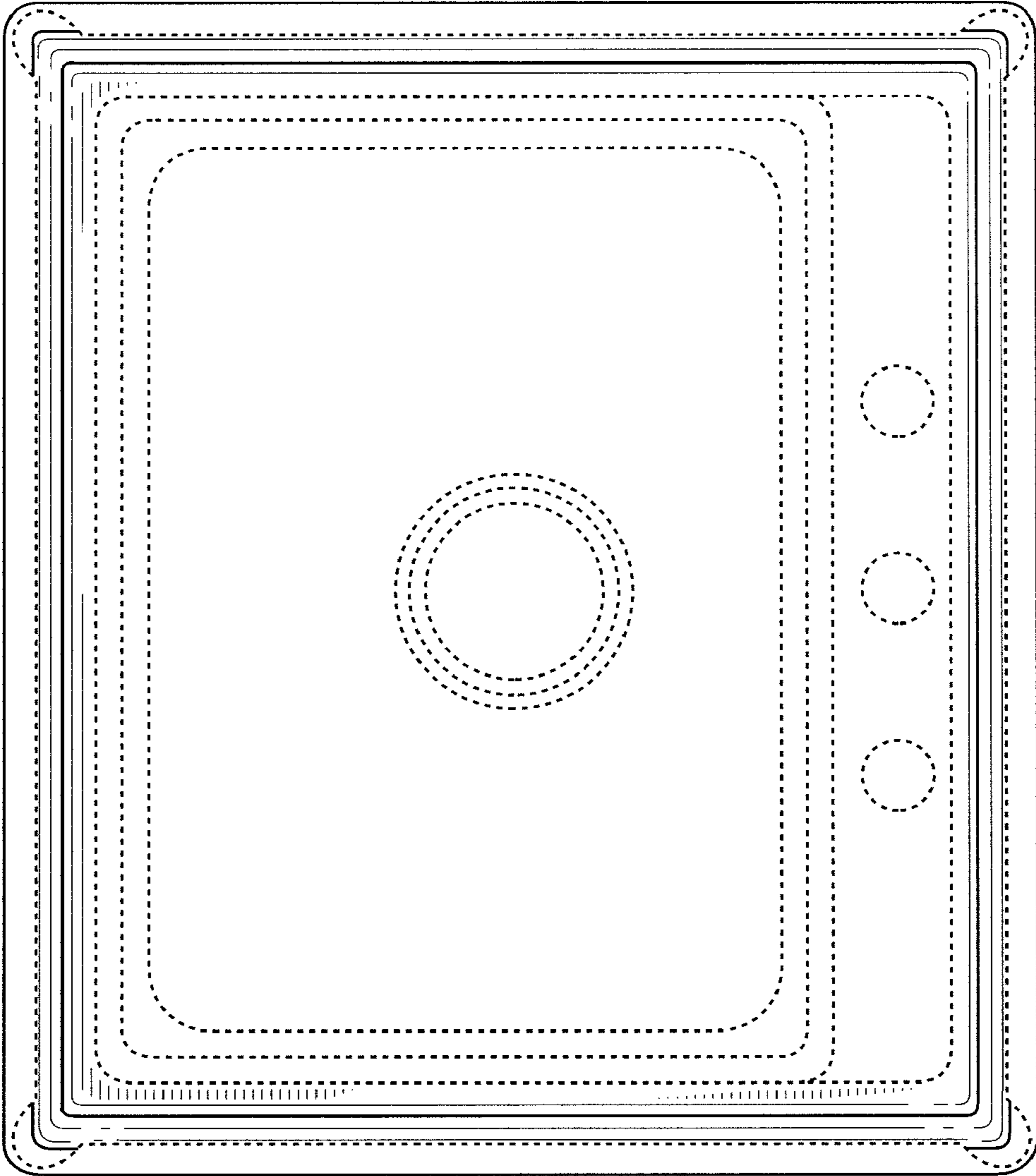




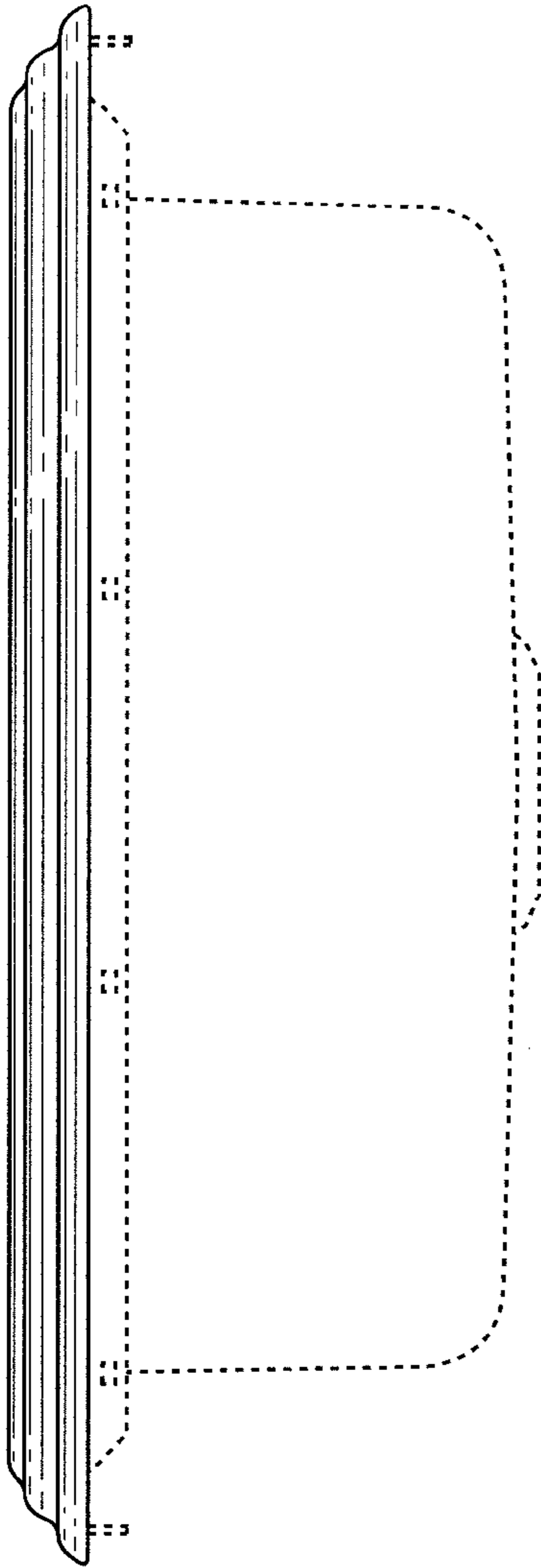
**FIG. 1**



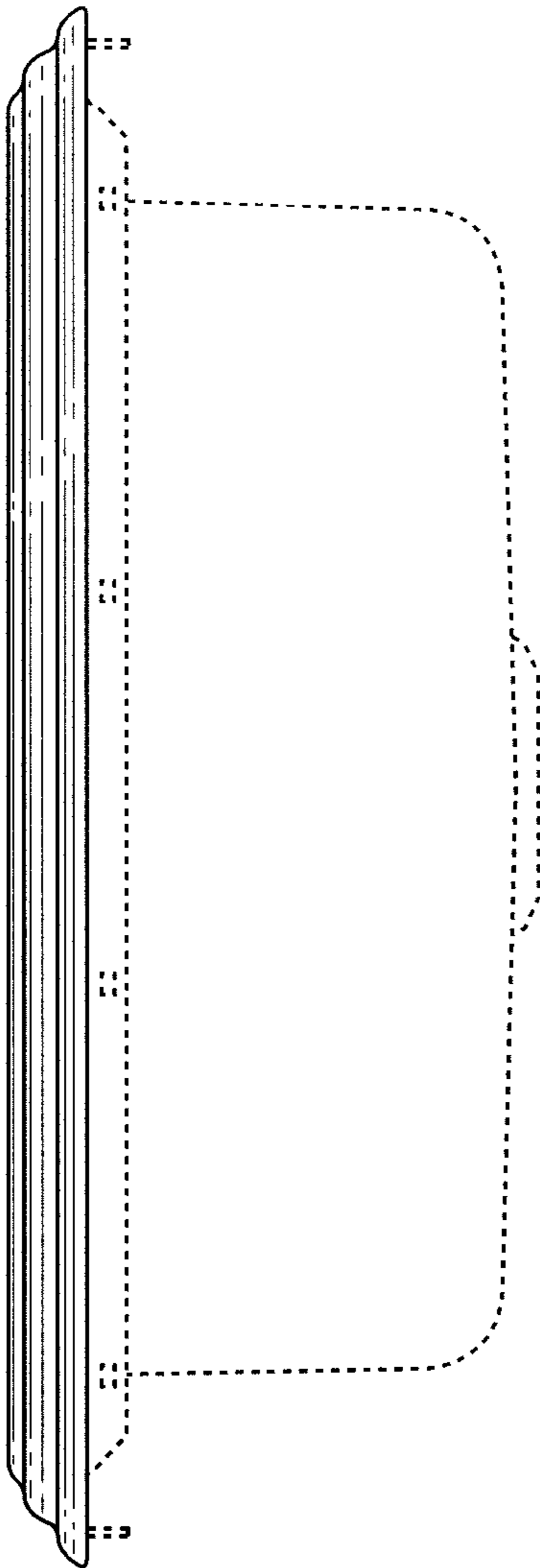
**FIG. 2**



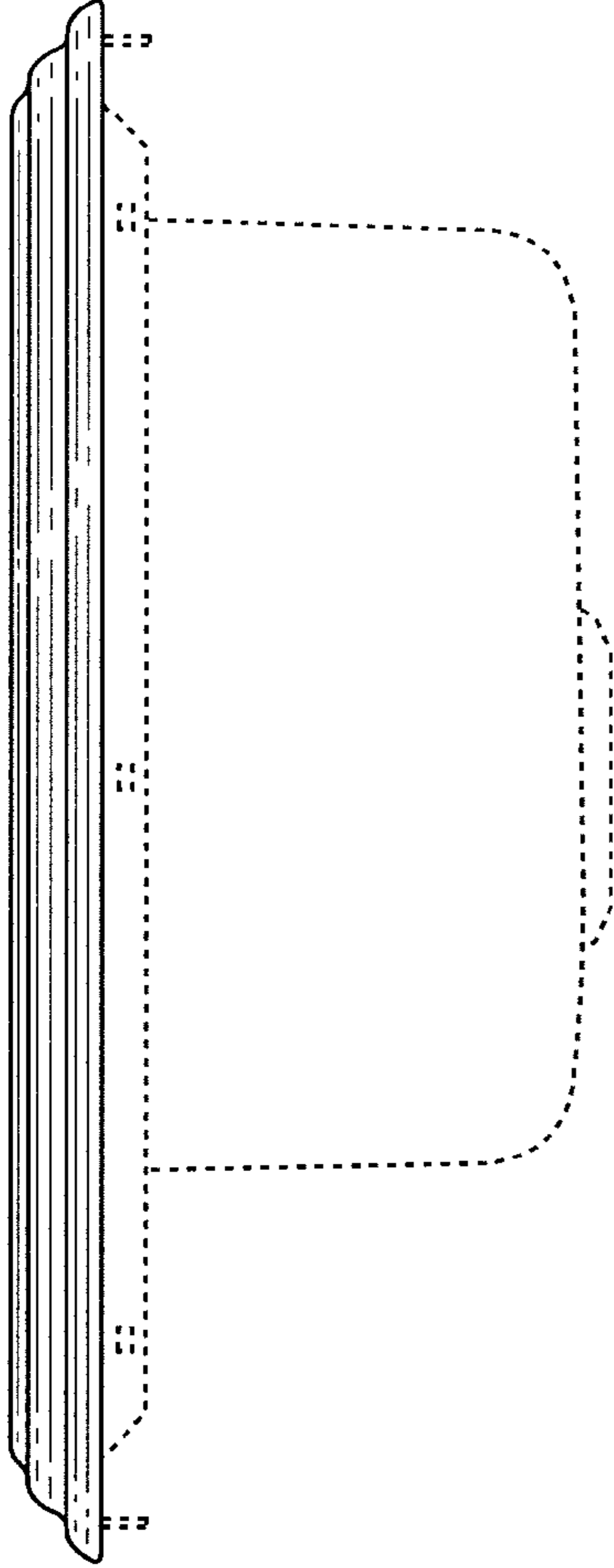
**FIG. 3**



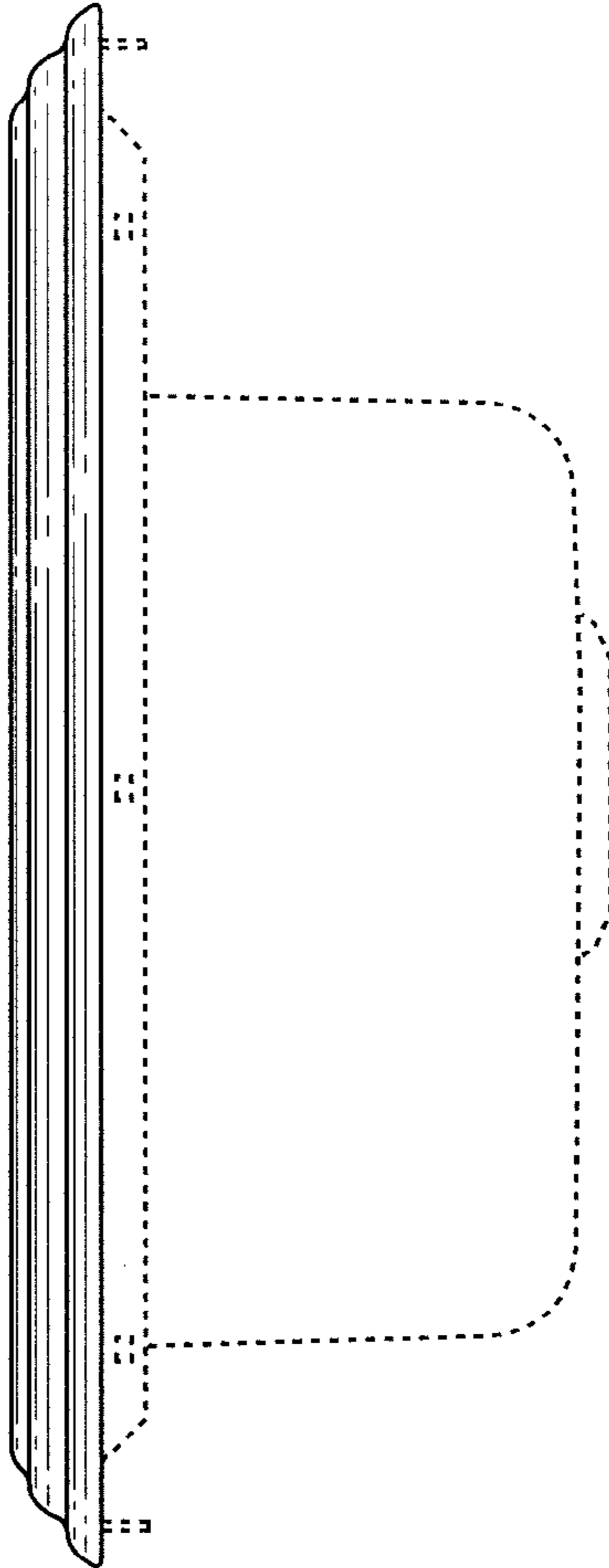
**FIG. 4**



**FIG. 5**

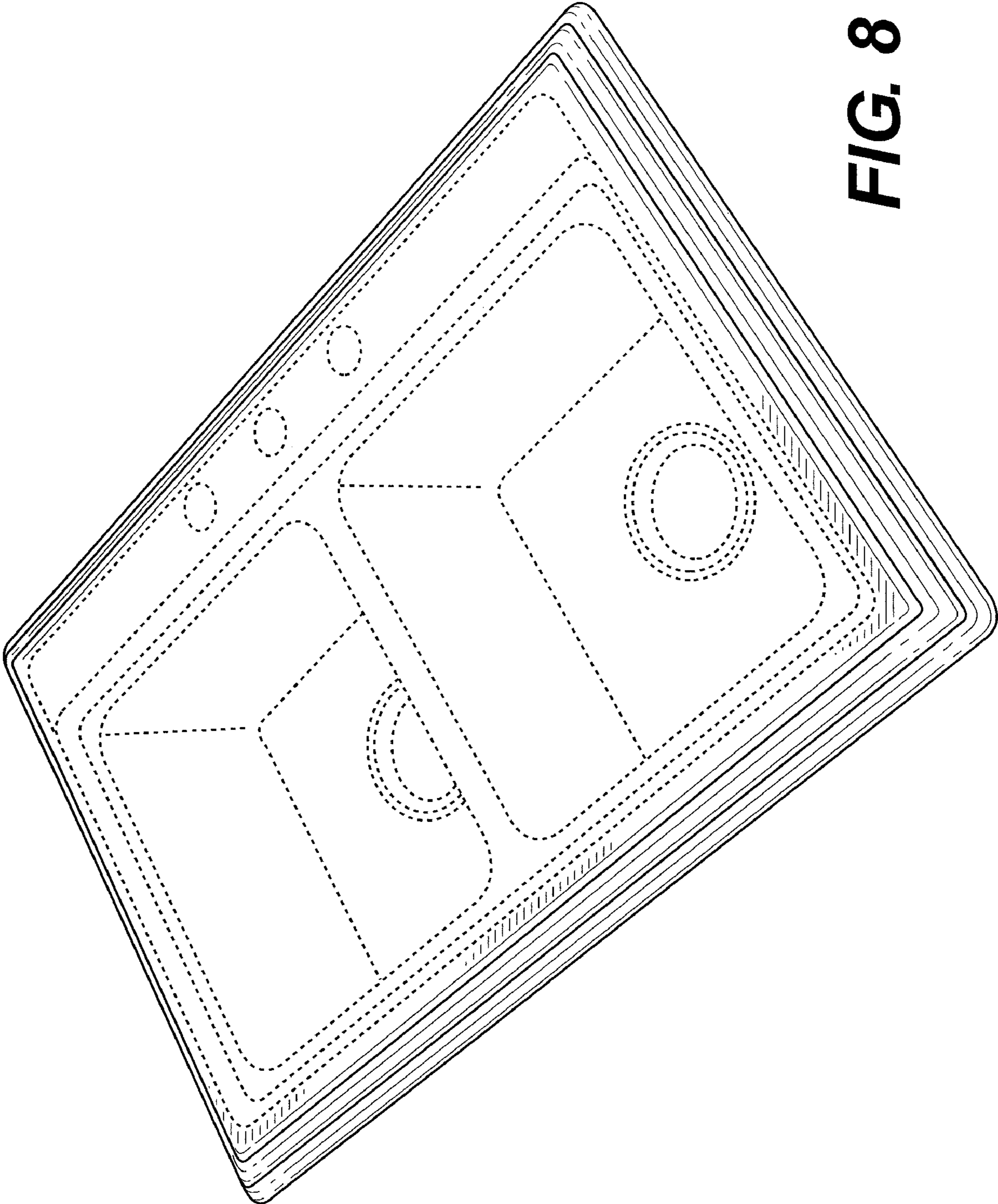


**FIG. 6**



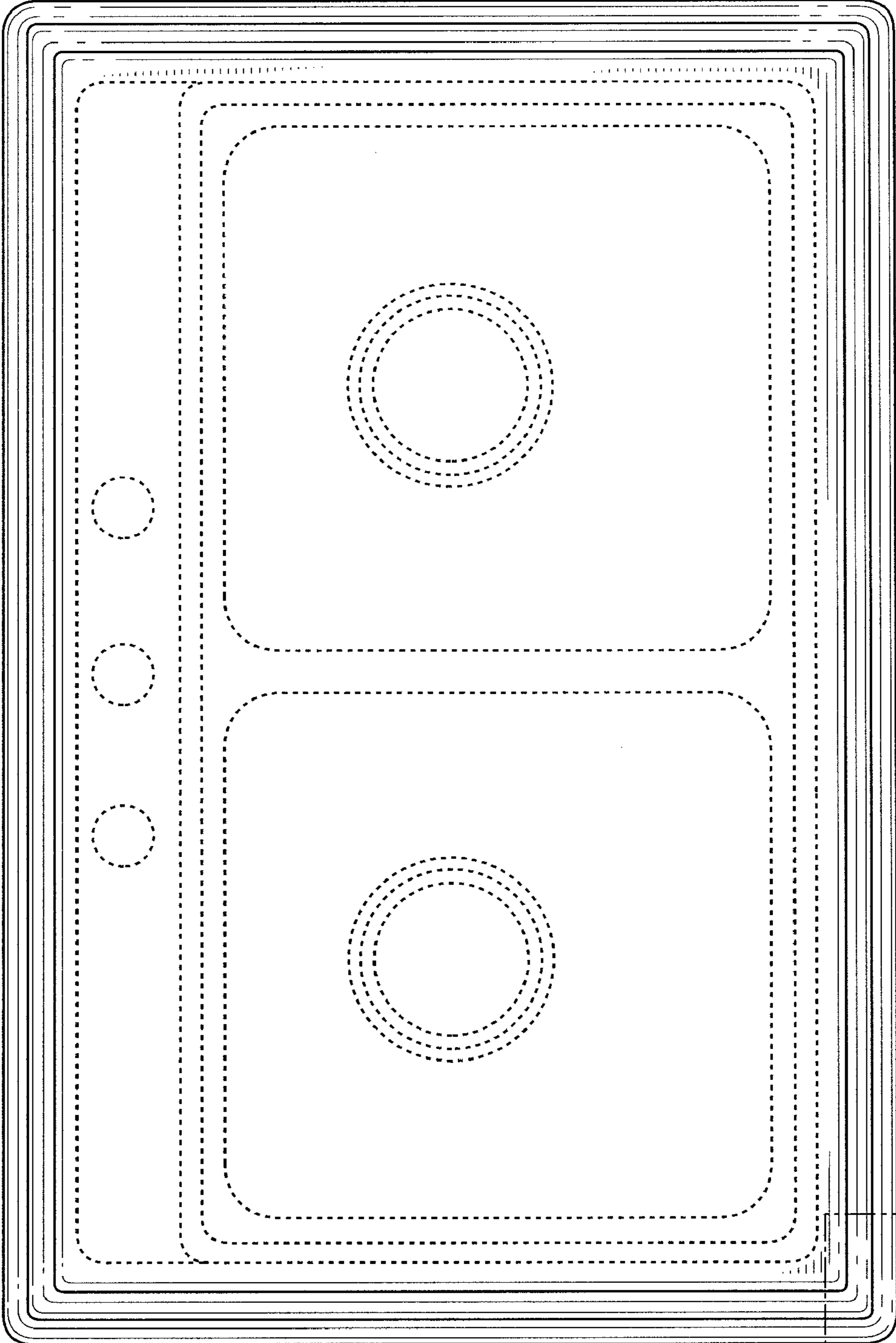
**FIG. 7**





**FIG. 8**

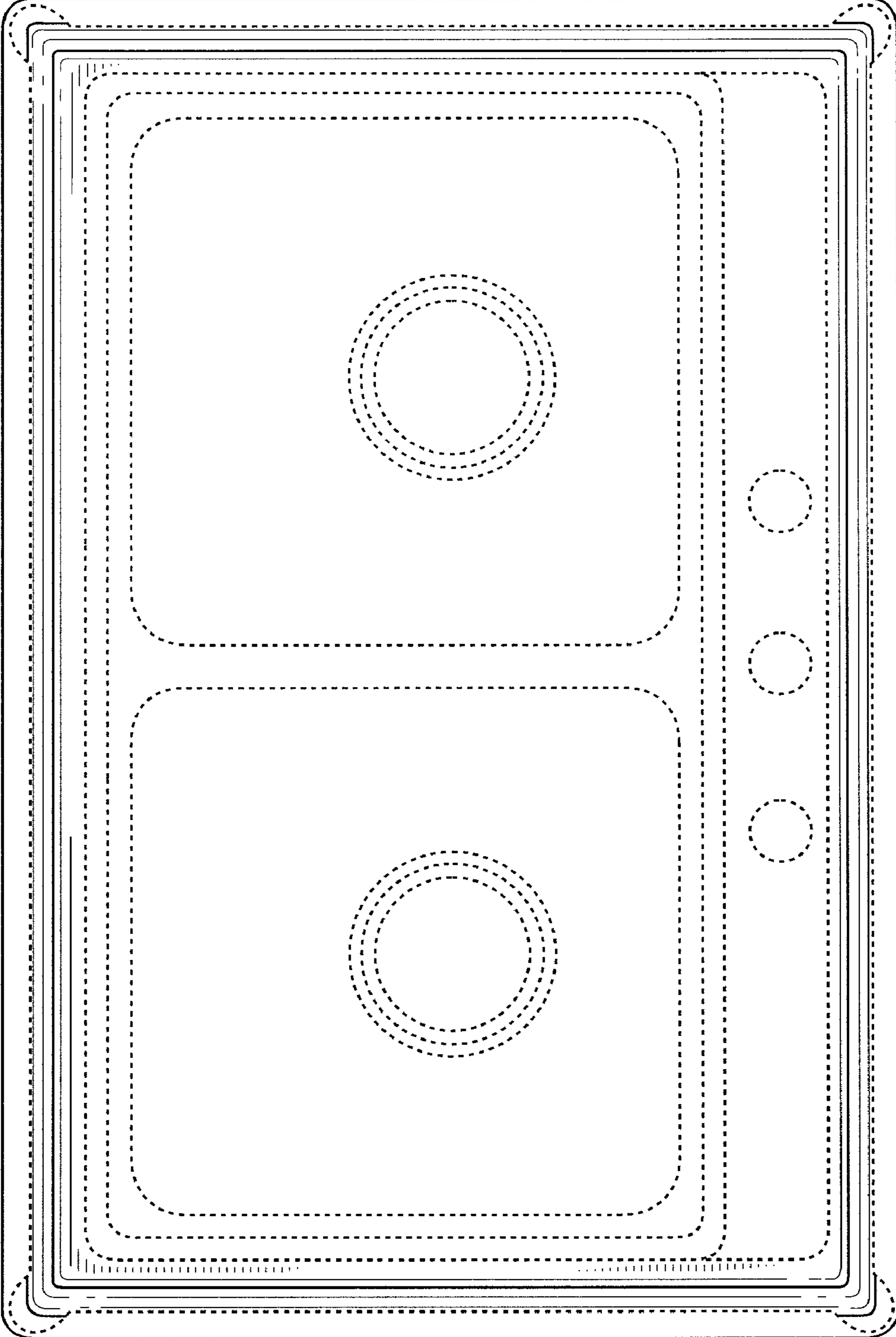




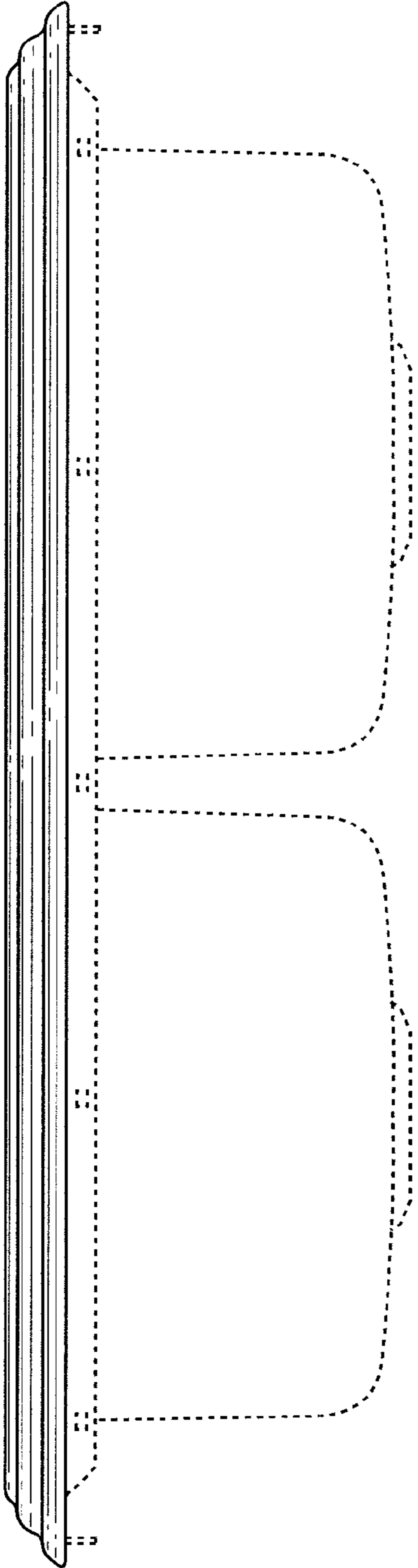
15

15

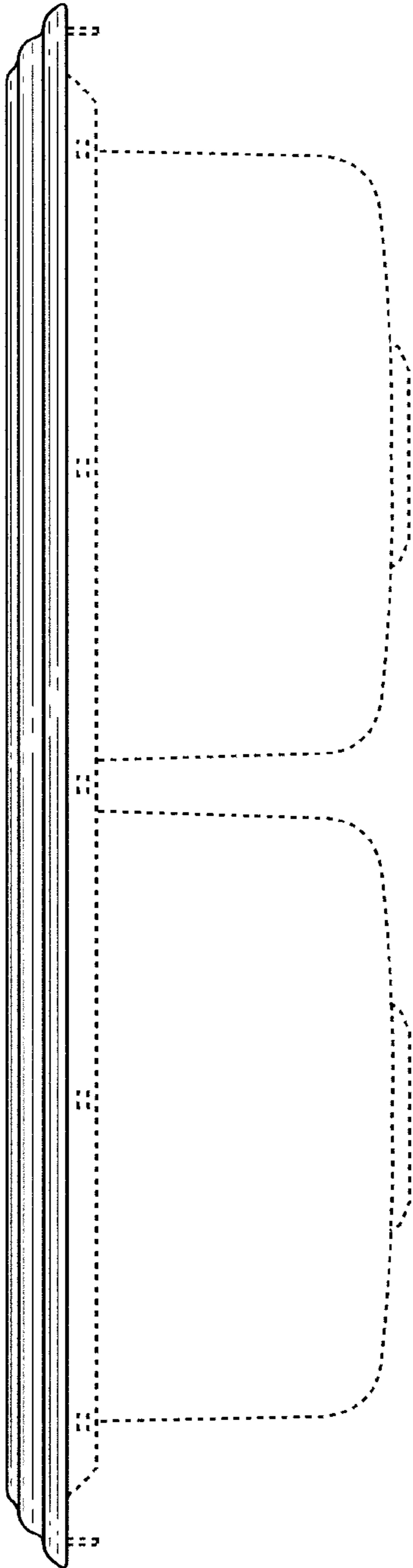
**FIG. 9**



**FIG. 10**

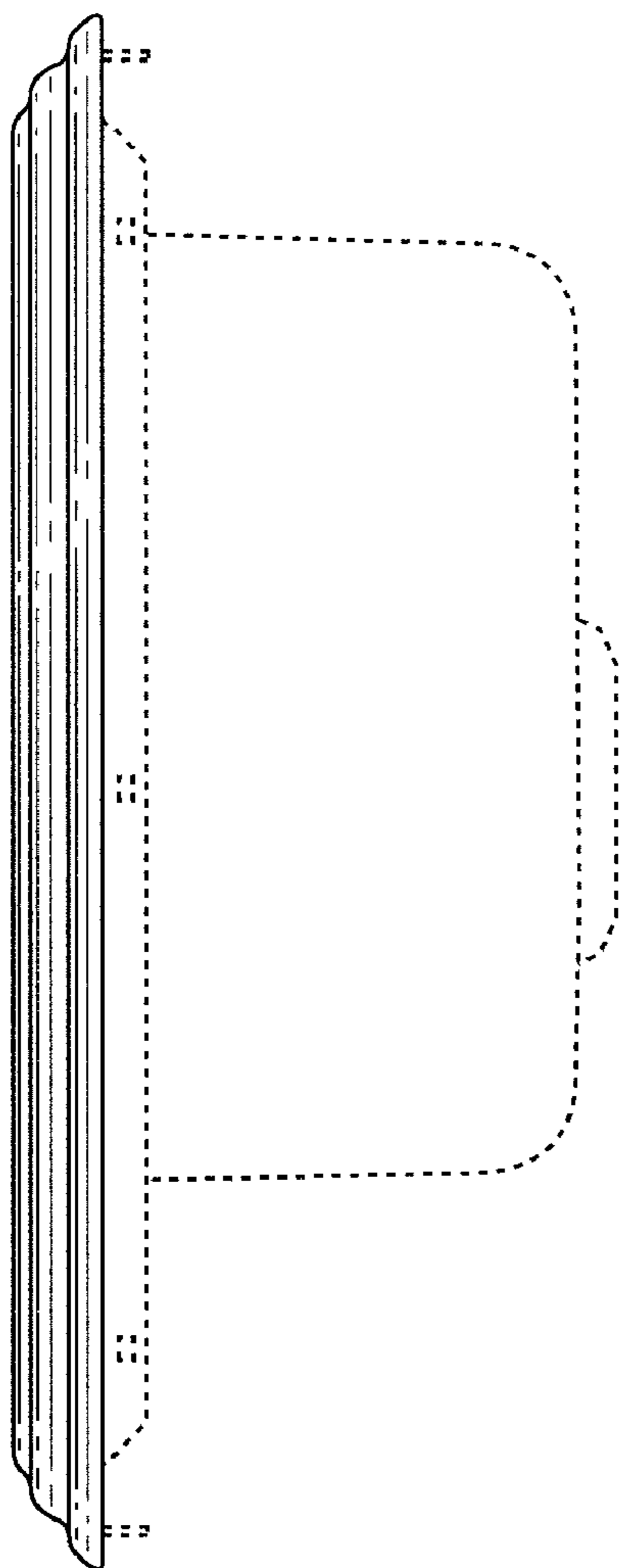


**FIG. 11**

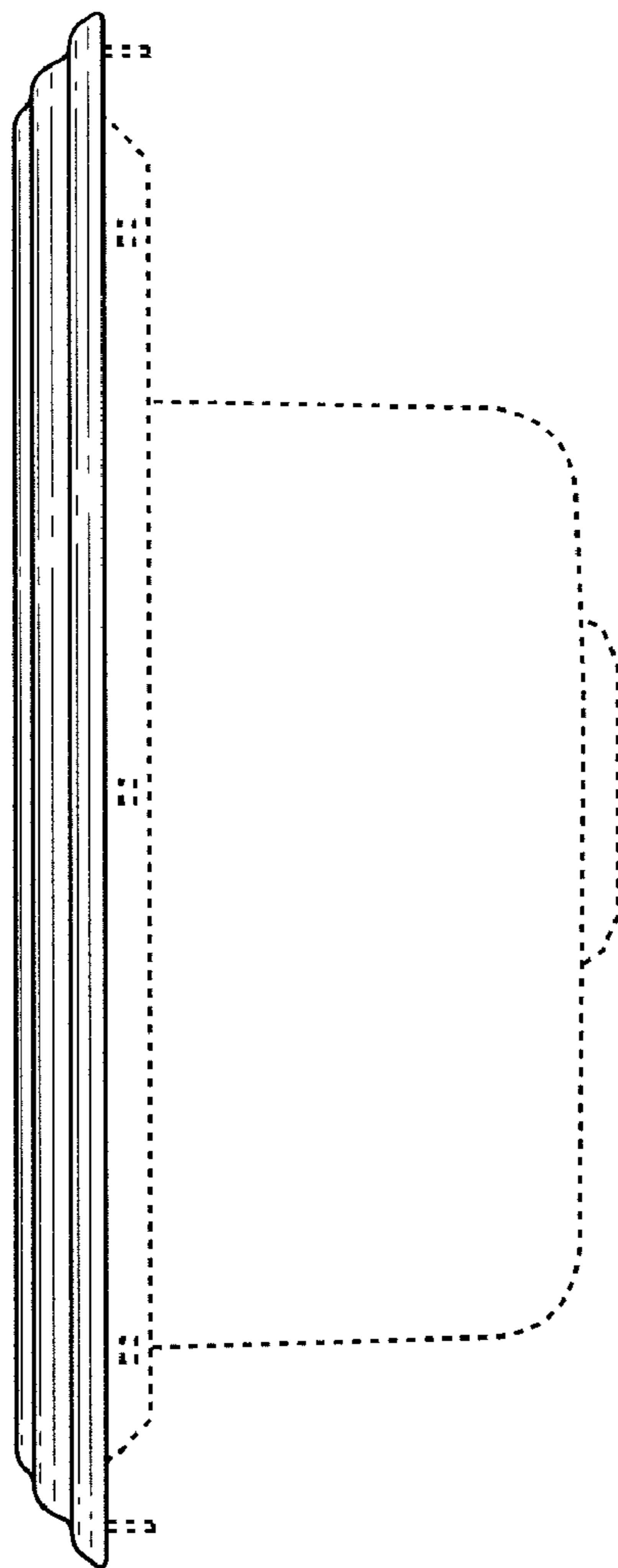


**FIG. 12**

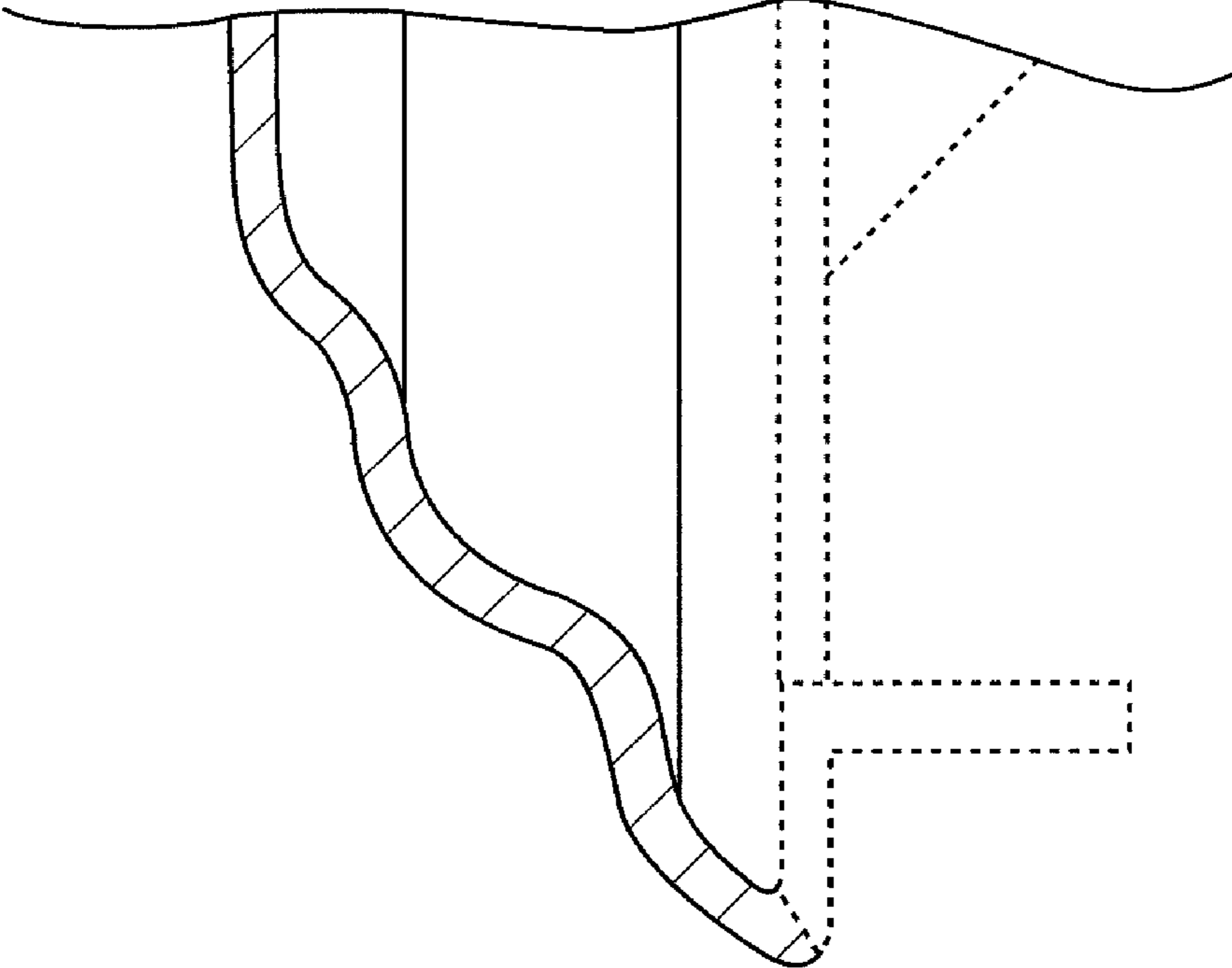




**FIG. 13**



**FIG. 14**



**FIG. 15**