



US00D588683S

(12) **United States Design Patent**  
**McGilloway et al.**

(10) **Patent No.:** **US D588,683 S**  
(45) **Date of Patent:** **\*\* Mar. 17, 2009**

(54) **SPRAY HEAD HOLDER**

(75) Inventors: **Stephen McGilloway**, Mallusk (GB);  
**Edward J Gilmore**, Ballywalter (GB)

(73) Assignee: **Master Simms Engineering Limited**,  
Bangor, Douny Down (GB)

(\*\*) Term: **14 Years**

(21) Appl. No.: **29/299,515**

(22) Filed: **Dec. 28, 2007**

(30) **Foreign Application Priority Data**

Jul. 19, 2007 (EM) ..... 000760632-0001  
Oct. 10, 2007 (EM) ..... 000805957-0003

(51) **LOC (9) Cl.** ..... **23-02**

(52) **U.S. Cl.** ..... **D23/304; D23/303; D6/524**

(58) **Field of Classification Search** ..... D23/213,  
D23/249, 303-304, 254, 252; D6/524; 4/605,  
4/570

See application file for complete search history.

(56) **References Cited**

**U.S. PATENT DOCUMENTS**

D448,069 S \* 9/2001 Wales ..... D23/304  
D462,115 S \* 8/2002 Tse ..... D23/304

D493,864 S \* 8/2004 Haug et al. .... D23/213  
D520,124 S \* 5/2006 Jones et al. .... D23/304  
D565,711 S \* 4/2008 Giggs et al. .... D23/304

\* cited by examiner

*Primary Examiner*—Robin V Webster

(74) *Attorney, Agent, or Firm*—Porter, Wright, Morris &  
Arthur, LLP

(57) **CLAIM**

The ornamental design for a spray head holder, as shown and described.

**DESCRIPTION**

FIG. 1 is a perspective view of a spray head holder according to our new design;

FIG. 2 is a front elevational view thereof;

FIG. 3 is a left side elevational view thereof (a right side elevational view being a mirror image thereof);

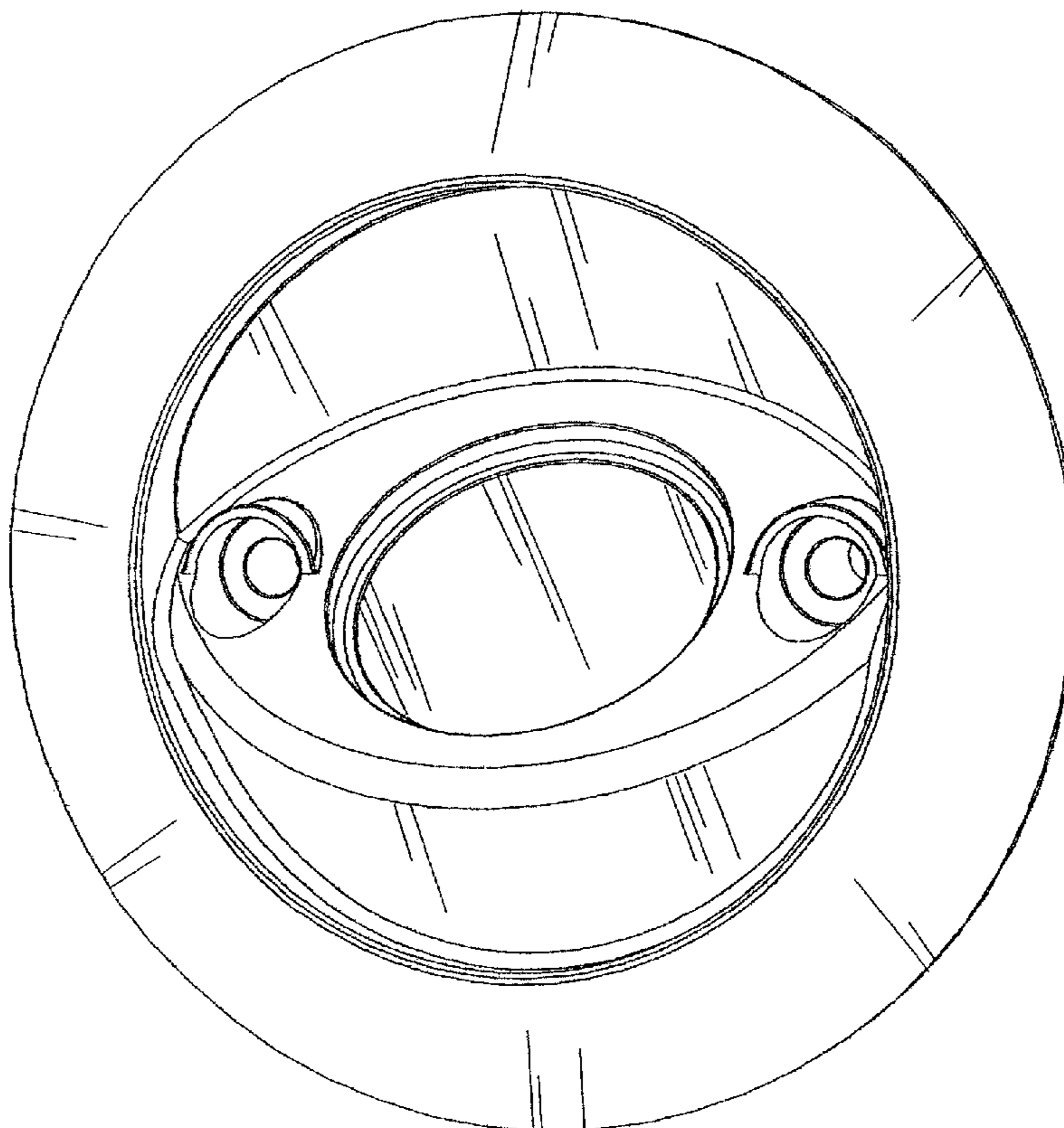
FIG. 4 is a top plan view thereof;

FIG. 5 is a bottom plan view thereof; and,

FIG. 6 is a rear elevational view thereof.

The broken line is for illustrative purposes and forms no part of the claimed design.

**1 Claim, 6 Drawing Sheets**



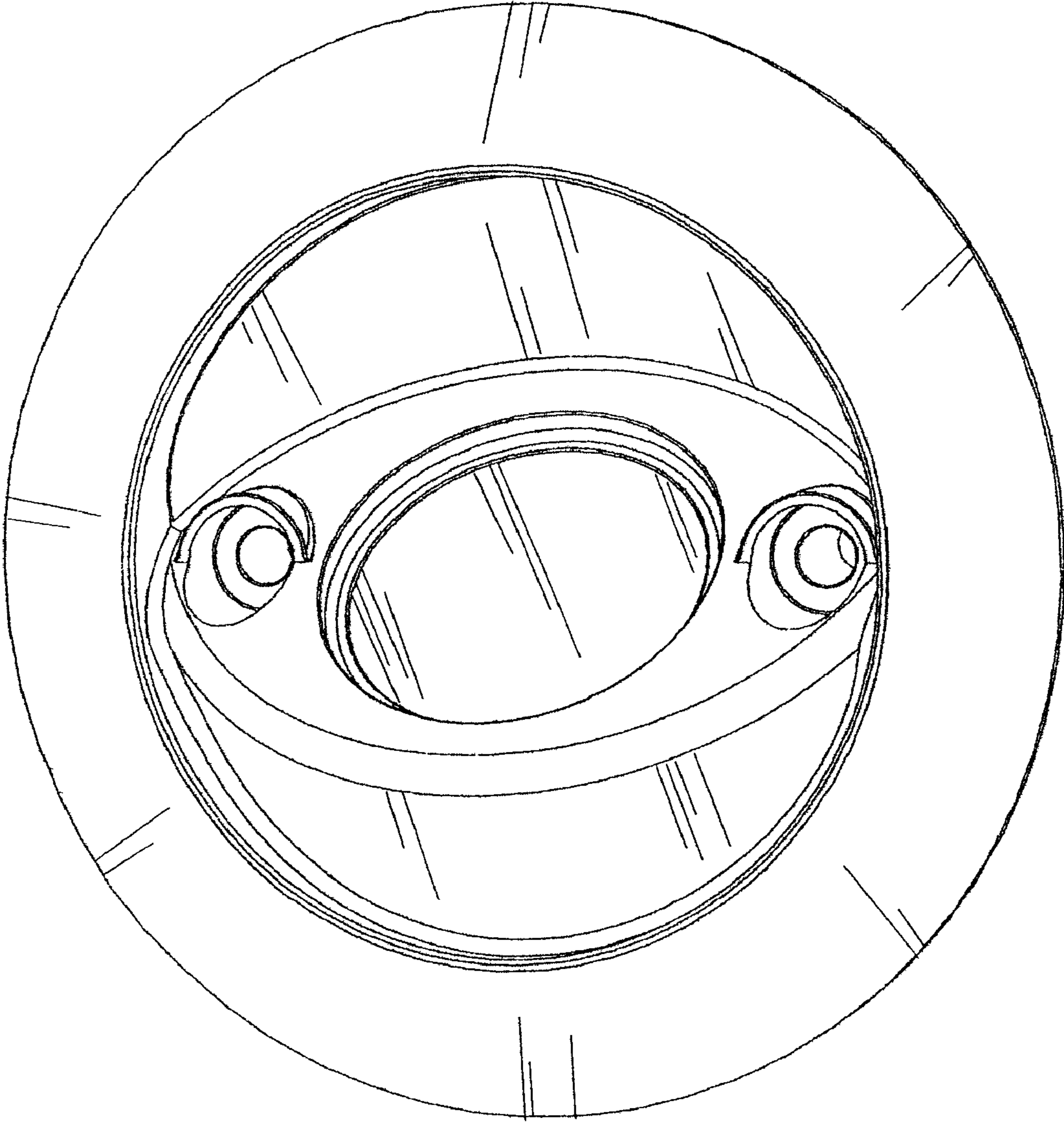


FIG. 1

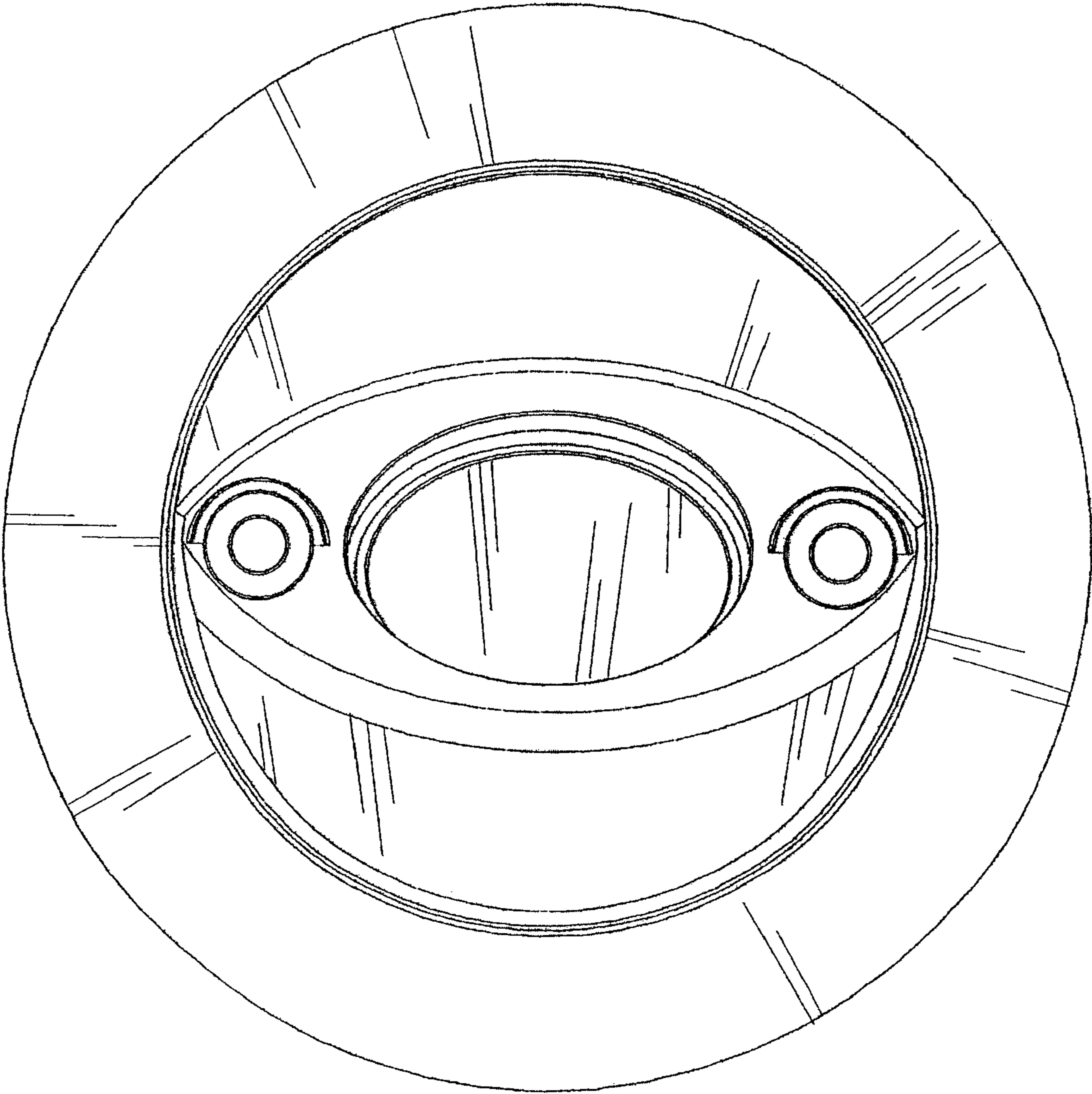


FIG. 2

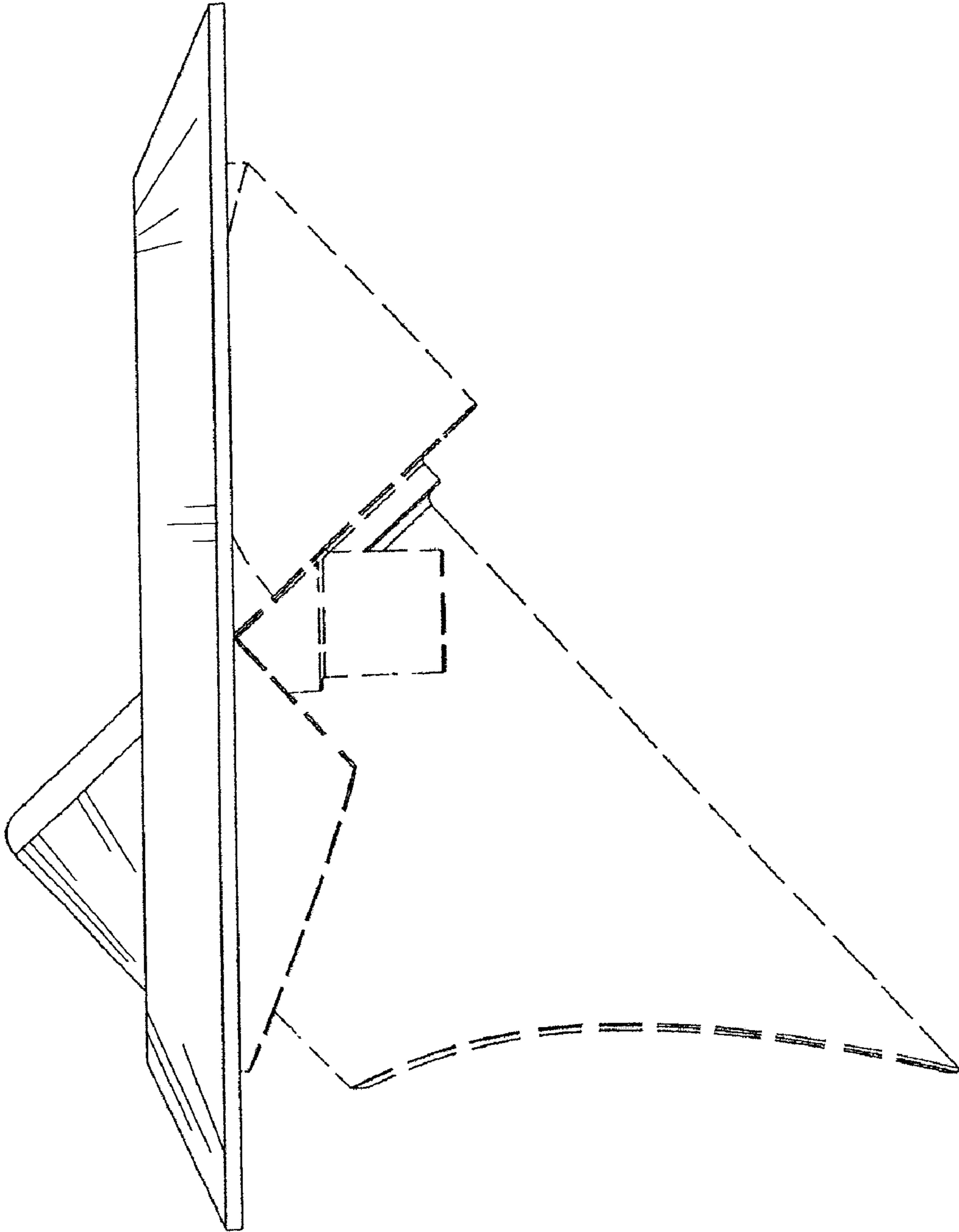


FIG. 3

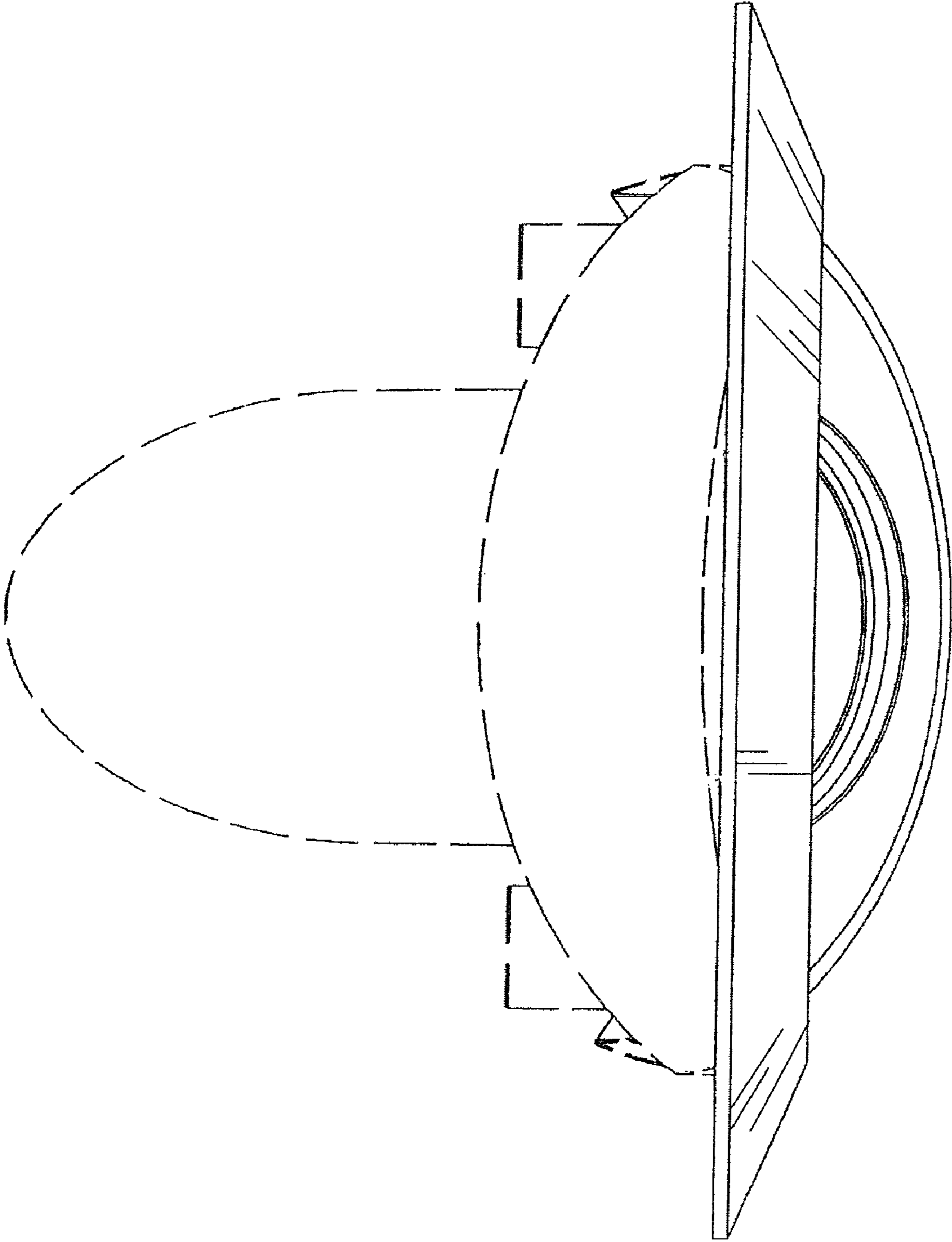


FIG. 4

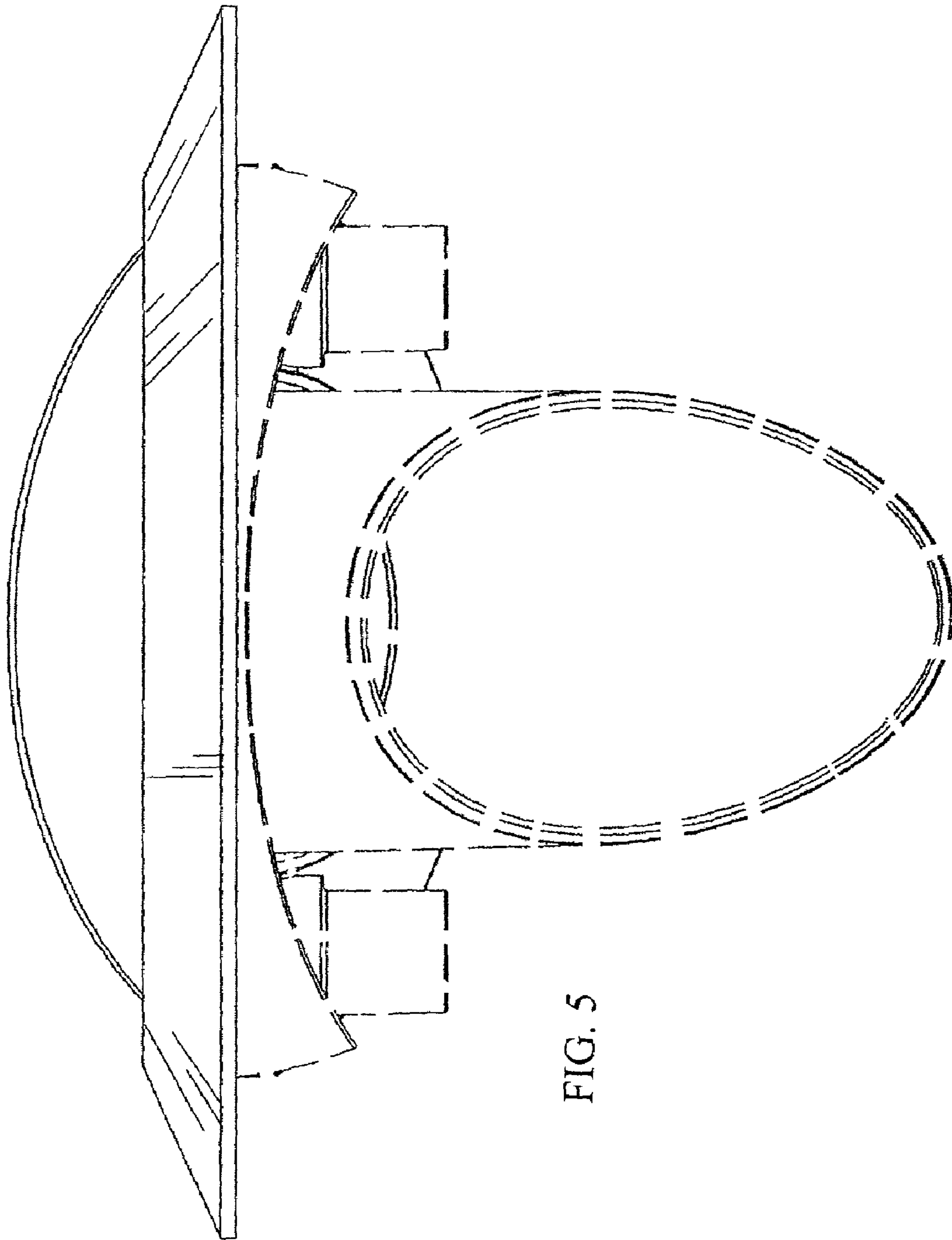


FIG. 5

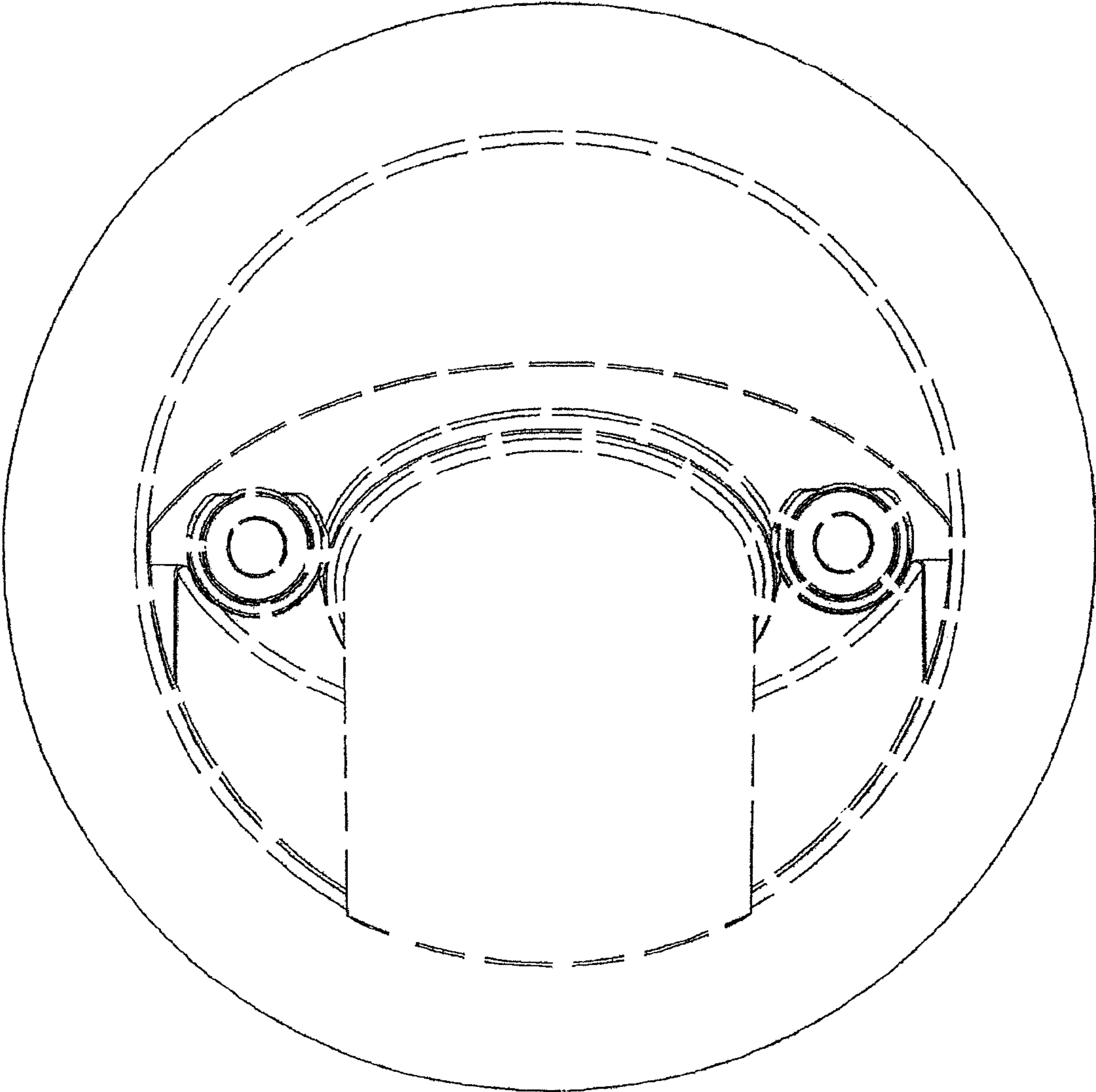


FIG. 6