



US00D588682S

(12) **United States Design Patent**  
**Maruhashi**

(10) **Patent No.:** **US D588,682 S**  
(45) **Date of Patent:** **\*\* Mar. 17, 2009**

(54) **LAVATORY**

(75) Inventor: **Masahiro Maruhashi**, Kitakyusyu (JP)

(73) Assignee: **Toto Ltd.**, Fukuoka (JP)

(\*\*) Term: **14 Years**

(21) Appl. No.: **29/321,819**

(22) Filed: **Jul. 24, 2008**

(30) **Foreign Application Priority Data**

Feb. 8, 2008 (JP) ..... 2008-002805

(51) **LOC (9) Cl.** ..... **23-02**

(52) **U.S. Cl.** ..... **D23/293.1**

(58) **Field of Classification Search** ..... D23/271-274,  
D23/284-293.1, 303, 308; 4/619, 624, 660  
See application file for complete search history.

(56) **References Cited**

**U.S. PATENT DOCUMENTS**

D236,725 S \* 9/1975 Frost ..... D23/293.1

\* cited by examiner

*Primary Examiner*—Robert A Delehanty

(74) *Attorney, Agent, or Firm*—Birch, Stewart, Kolasch & Birch, LLP

(57) **CLAIM**

The ornamental design for a lavatory, as shown and described.

**DESCRIPTION**

FIG. 1 is a perspective view of the top, front and right side of a lavatory showing my new design;

FIG. 2 is a front view thereof;

FIG. 3 is a rear view thereof;

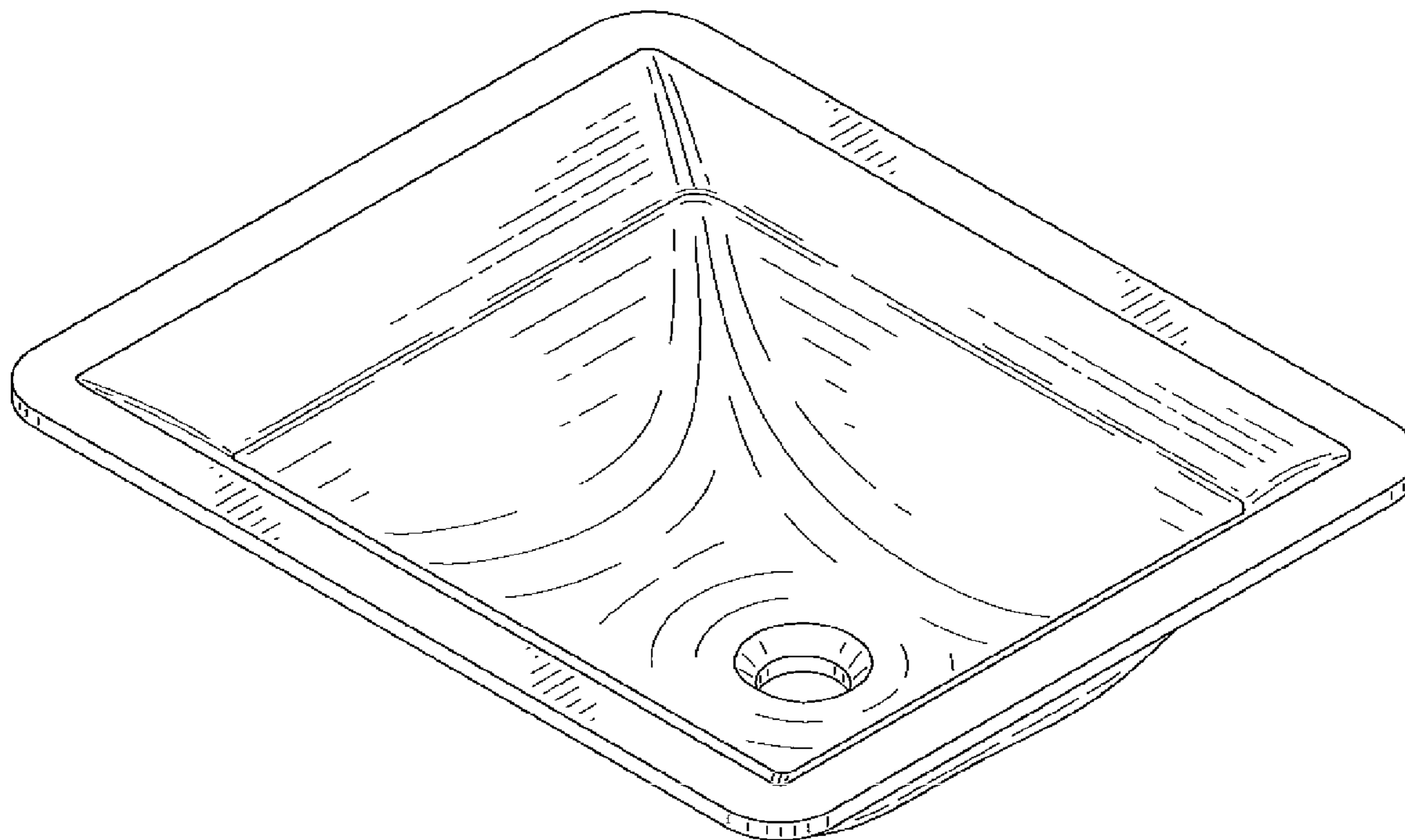
FIG. 4 is a top plan view thereof;

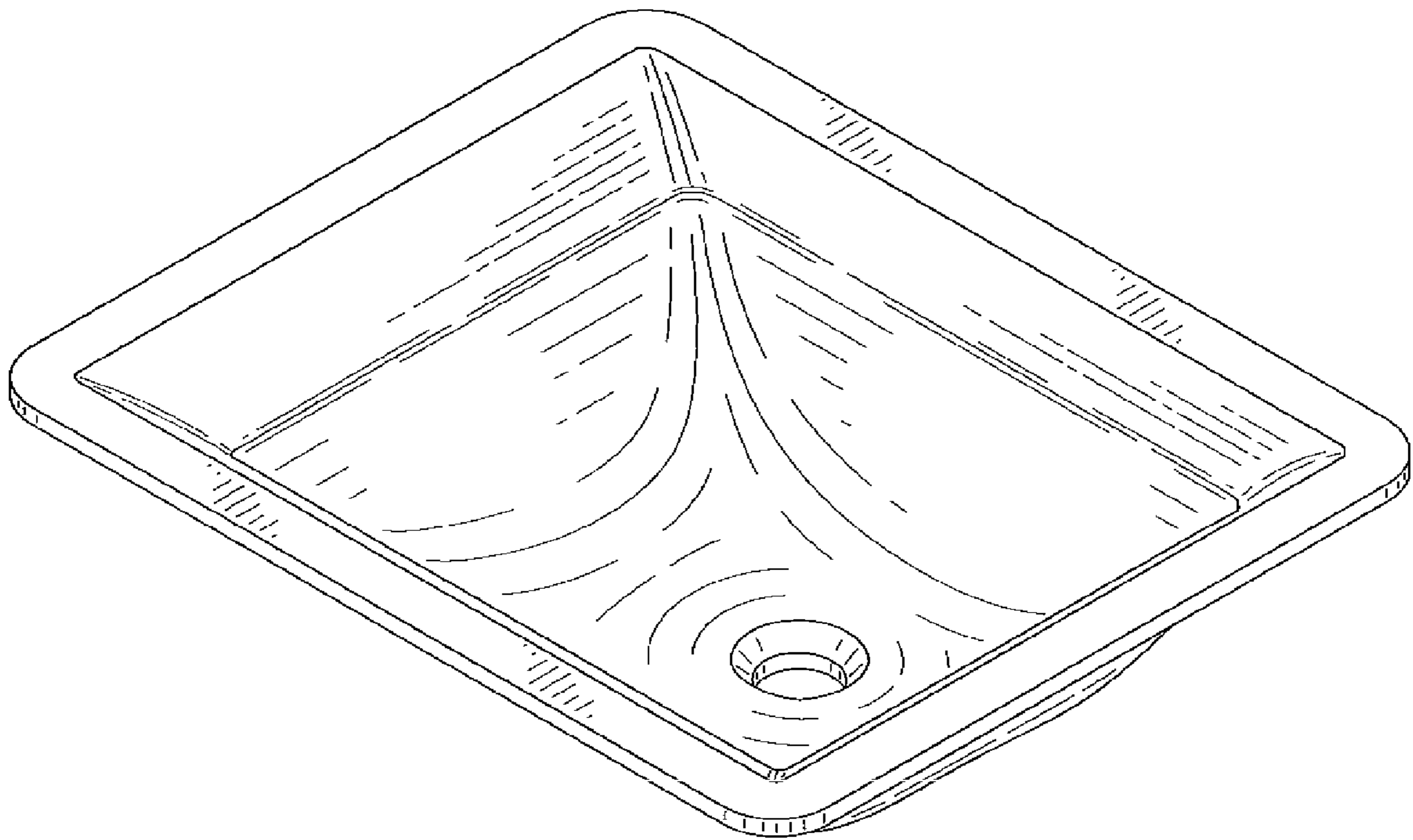
FIG. 5 is a bottom view thereof;

FIG. 6 is a left side view thereof; and,

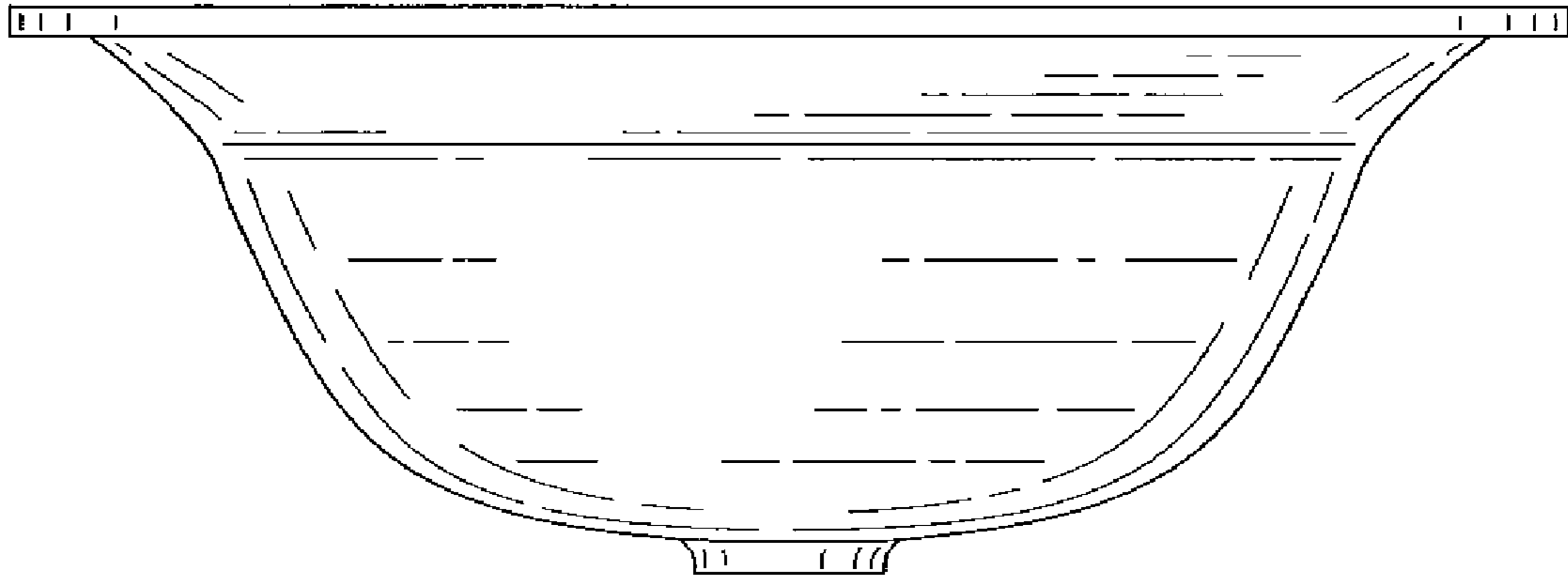
FIG. 7 is a right side view thereof.

**1 Claim, 4 Drawing Sheets**

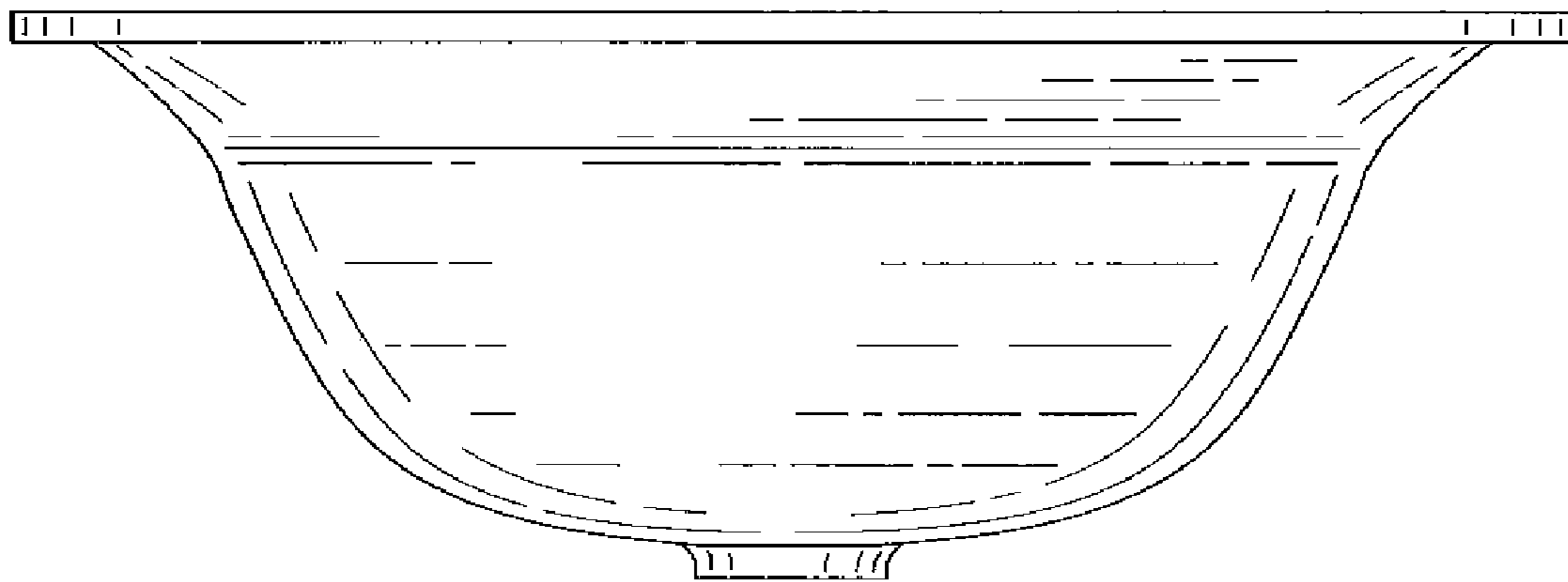




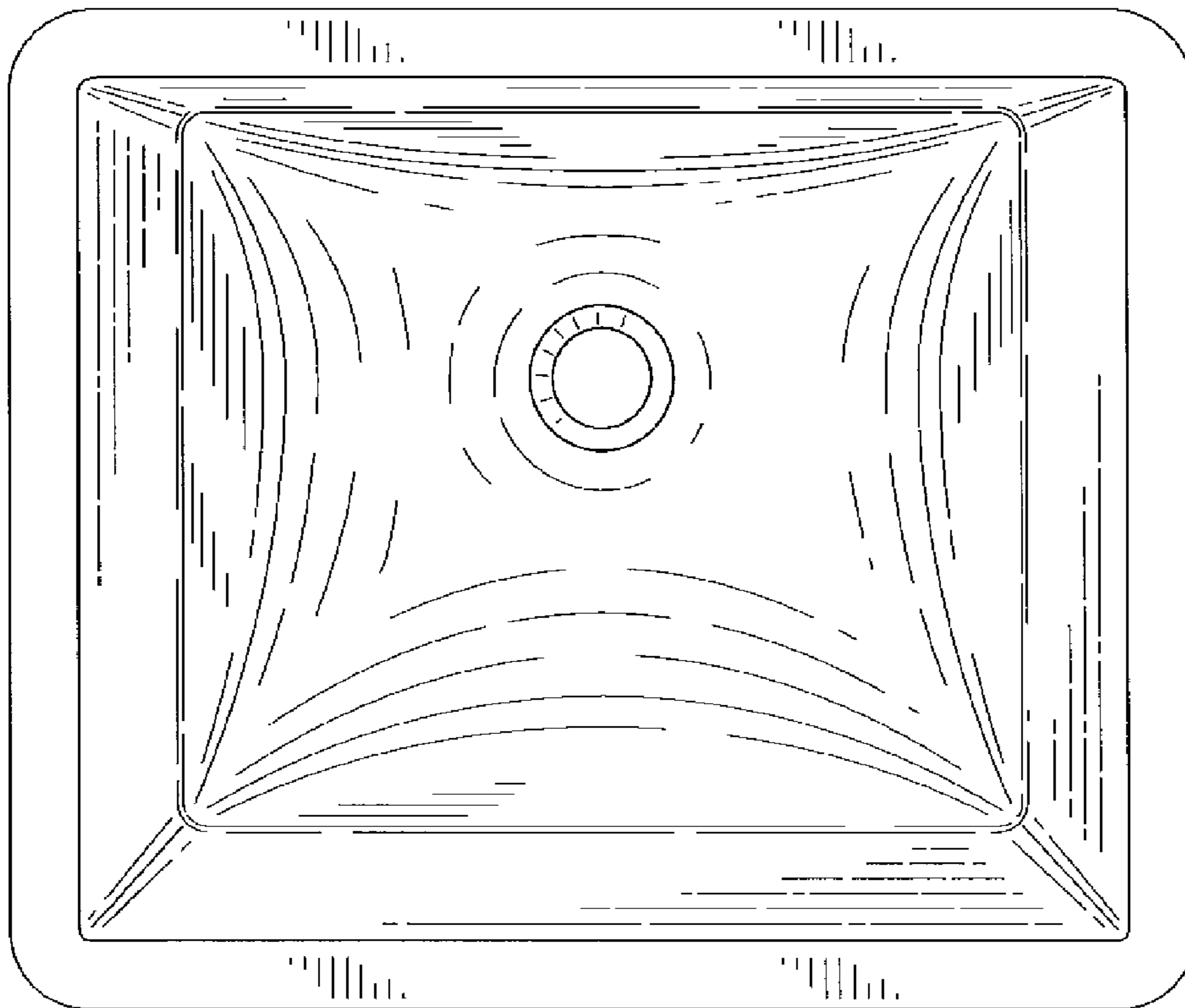
*FIG. 1*



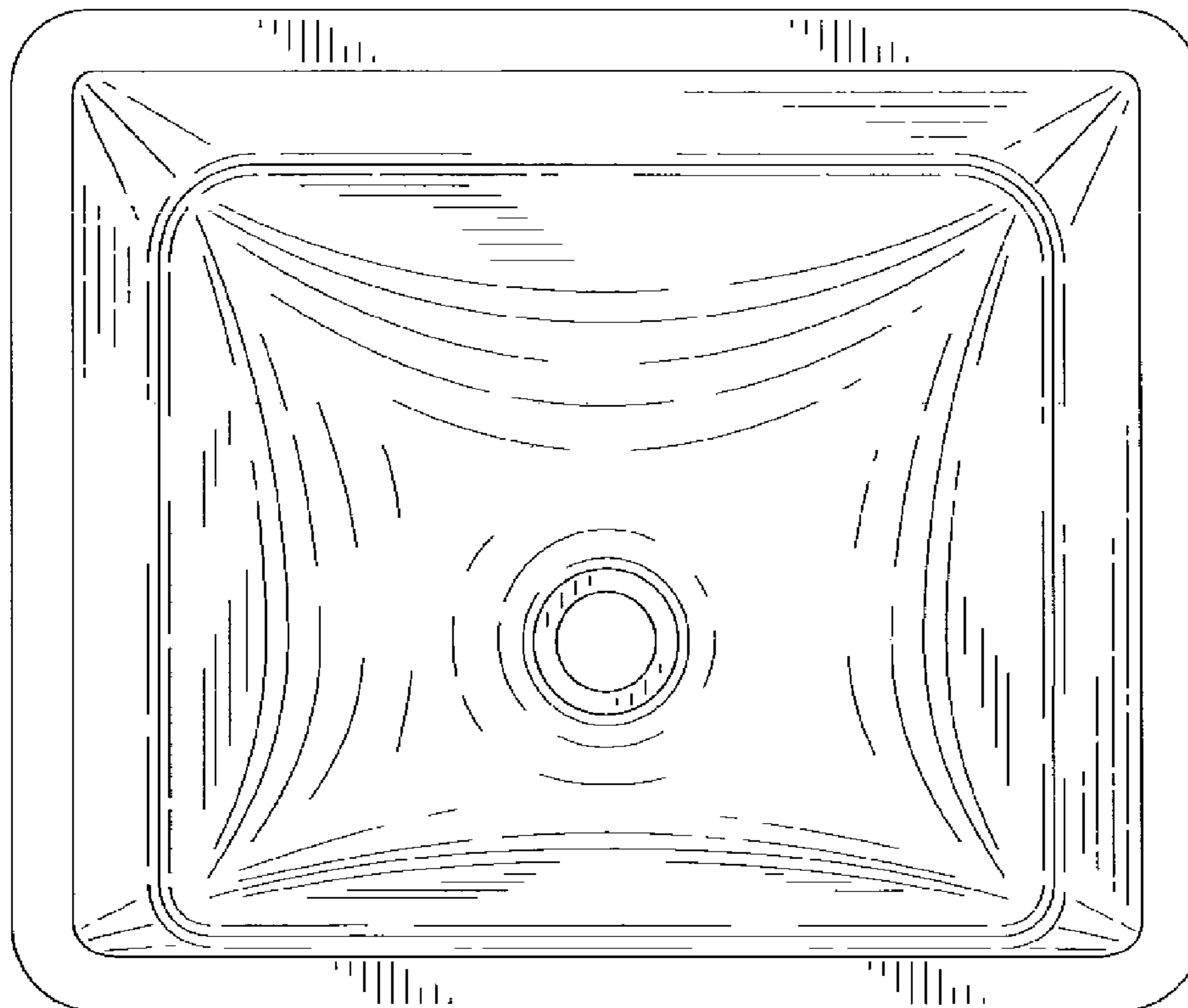
*FIG. 2*



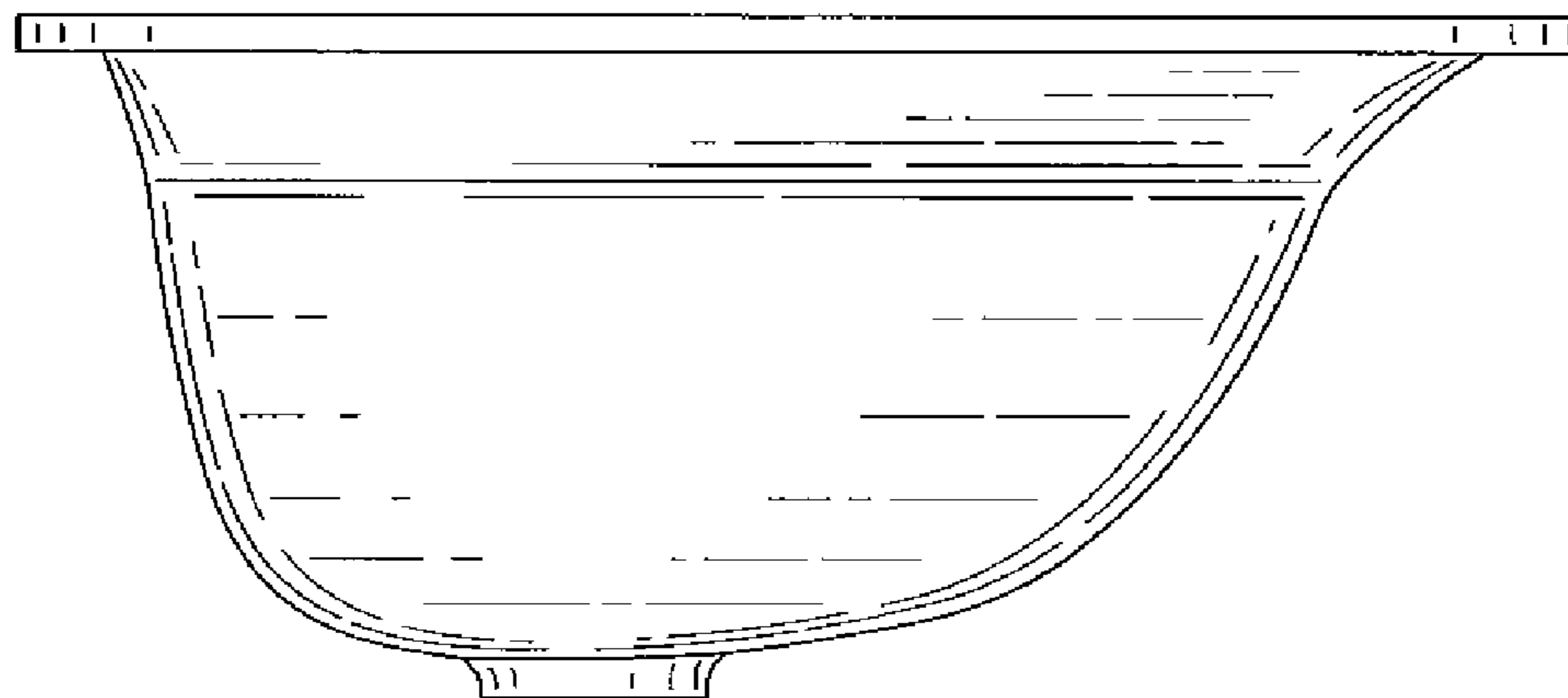
*FIG. 3*



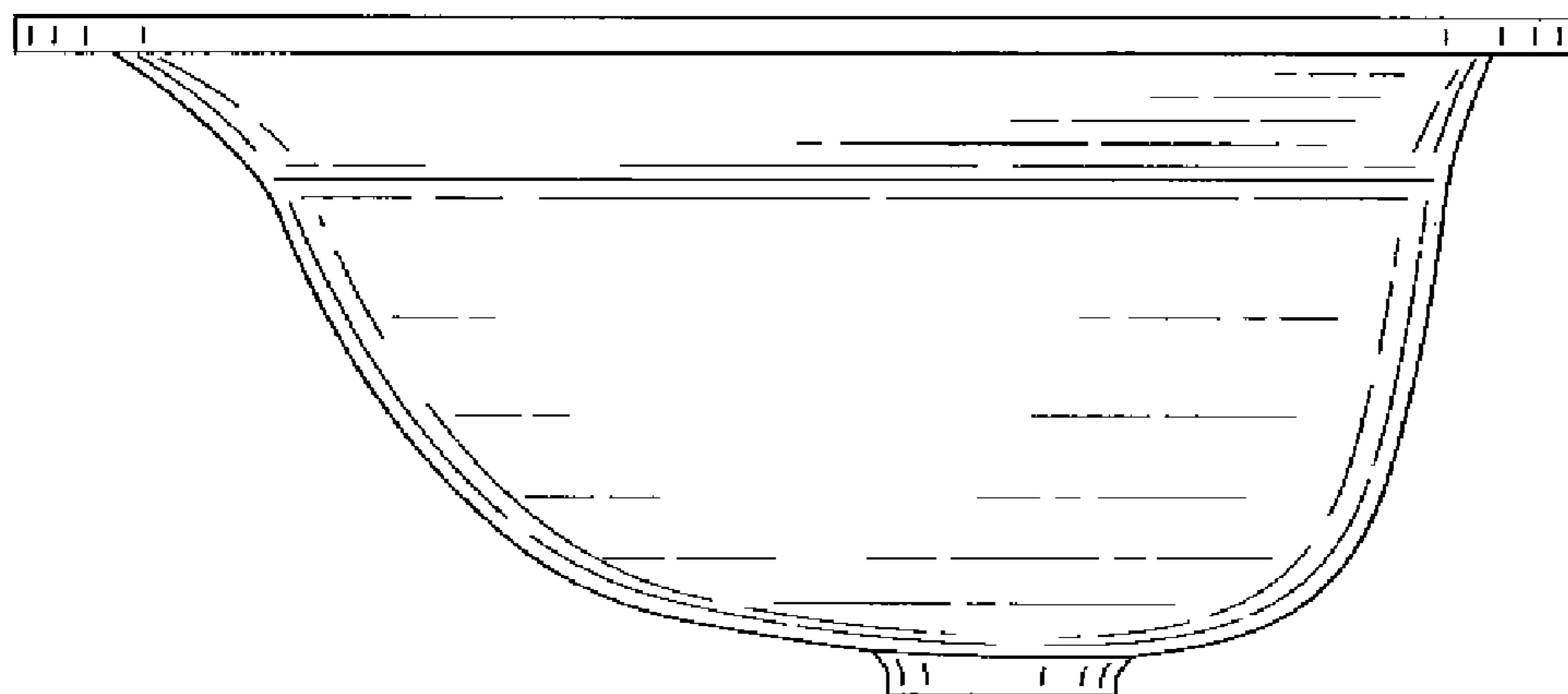
*FIG. 4*



*FIG. 5*



*FIG. 6*



*FIG. 7*