



US00D588680S

(12) **United States Design Patent**
Cheng

(10) **Patent No.:** **US D588,680 S**
(45) **Date of Patent:** **** Mar. 17, 2009**

- (54) **SINK**
 - (75) Inventor: **Fu-Tung Cheng**, Albany, CA (US)
 - (73) Assignee: **Elkay Manufacturing Company**, Oak Brook, IL (US)
 - (**) Term: **14 Years**
 - (21) Appl. No.: **29/306,604**
 - (22) Filed: **Apr. 11, 2008**
 - (51) **LOC (9) Cl.** **23-02**
 - (52) **U.S. Cl.** **D23/287; D23/290**
 - (58) **Field of Classification Search** D23/271–274,
D23/284–293.1, 303, 308; 4/619, 624, 660,
4/637
- See application file for complete search history.

(56) **References Cited**
U.S. PATENT DOCUMENTS

D40,401 S	12/1909	Crane	
D77,934 S	3/1929	Burbank	
D116,564 S	9/1939	Love	
2,578,047 A	12/1951	Corey	
D187,579 S	4/1960	Salemi	
D397,213 S *	8/1998	Bonnell D23/290
D494,257 S *	8/2004	Moran et al. D23/284

D496,441 S *	9/2004	Moran et al. D23/284
D560,772 S *	1/2008	Booth et al. D23/284

* cited by examiner

Primary Examiner—Robert A Delehanty
(74) *Attorney, Agent, or Firm*—Leydig, Voit & Mayer, Ltd.

(57) **CLAIM**

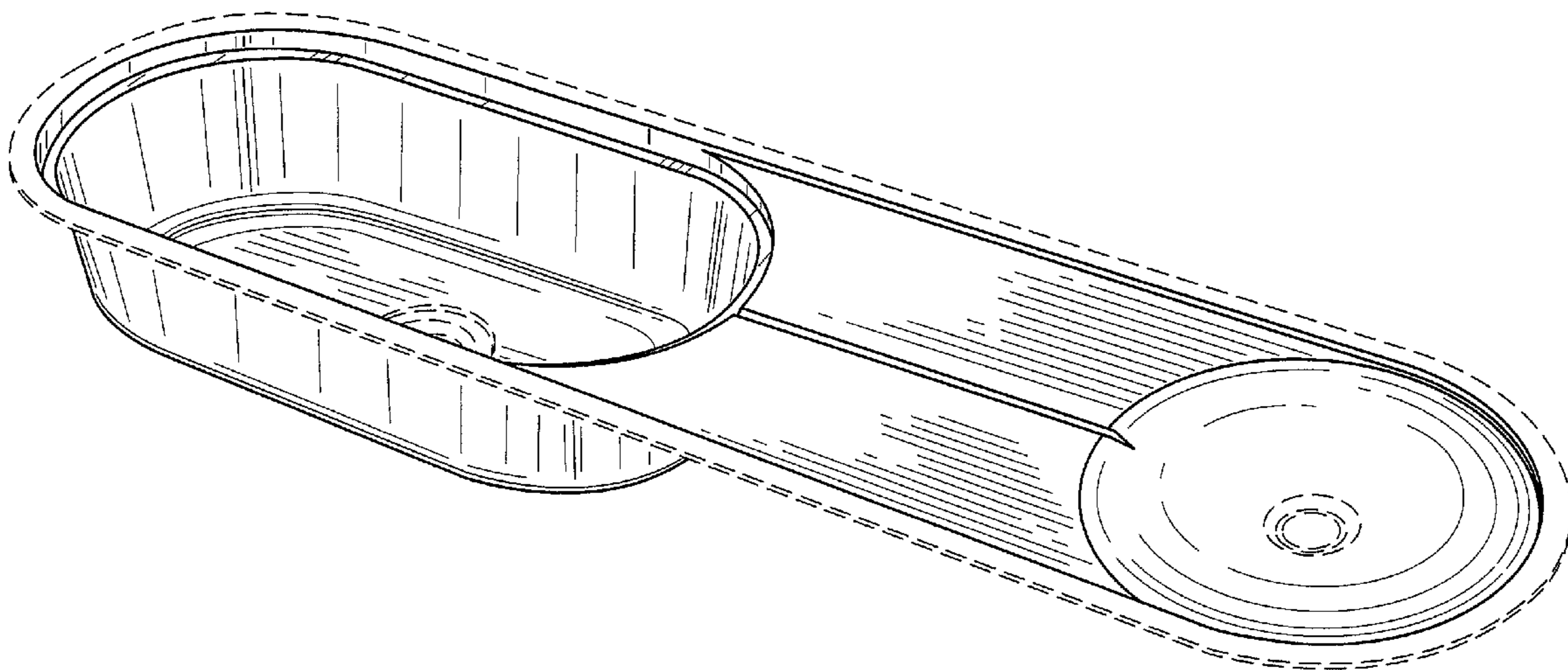
The ornamental design for a sink, as shown and described.

DESCRIPTION

FIG. 1 is a perspective view taken from the top, front, and right side of a sink showing my new design;
 FIG. 2 is a top plan view of the sink shown in FIG. 1;
 FIG. 3 is a bottom view of the sink shown in FIG. 1;
 FIG. 4 is a front elevational view of the sink shown in FIG. 1;
 FIG. 5 is a rear elevational view of the sink shown in FIG. 1;
 FIG. 6 is a left elevational side view of the sink shown in FIG. 1; and,
 FIG. 7 is a right elevational side view of the sink shown in FIG. 1.

The broken lines are for illustration purposes only and form no part of the claimed design.

1 Claim, 3 Drawing Sheets



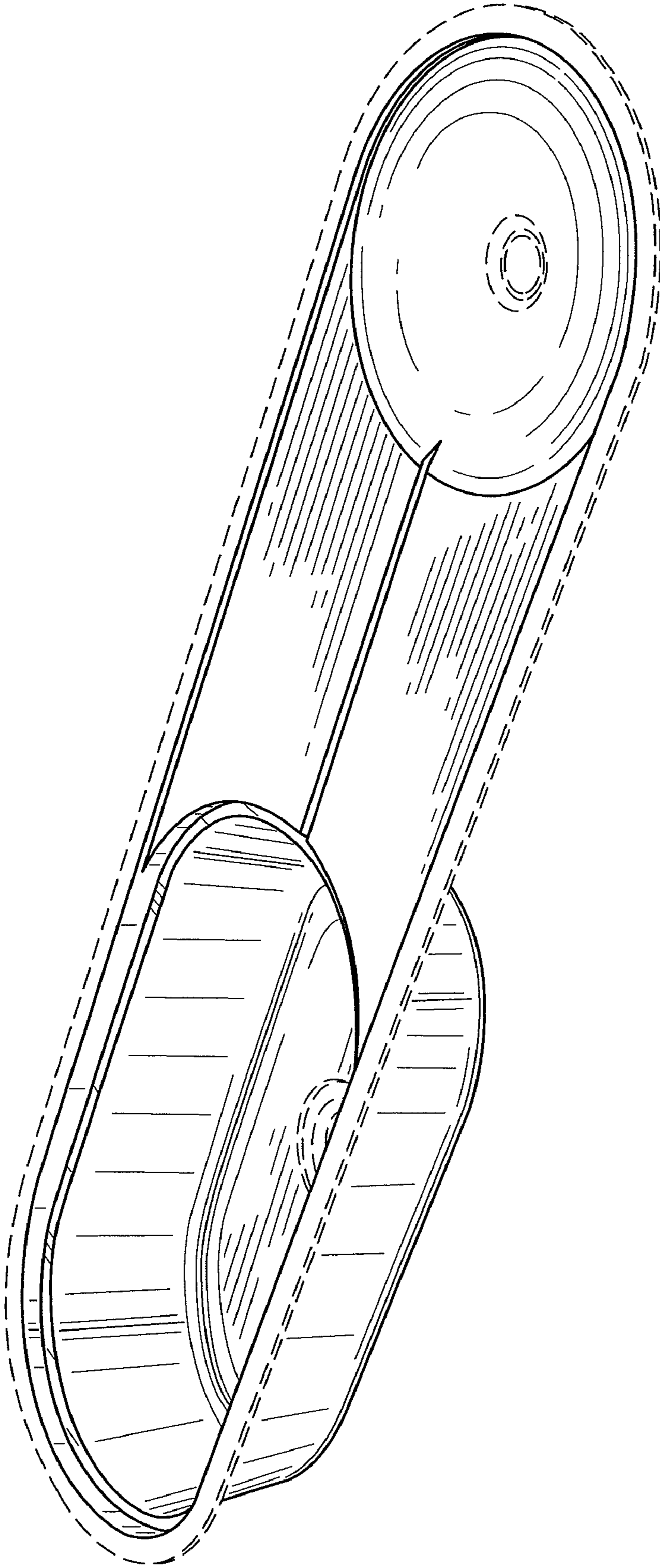


FIG. 1

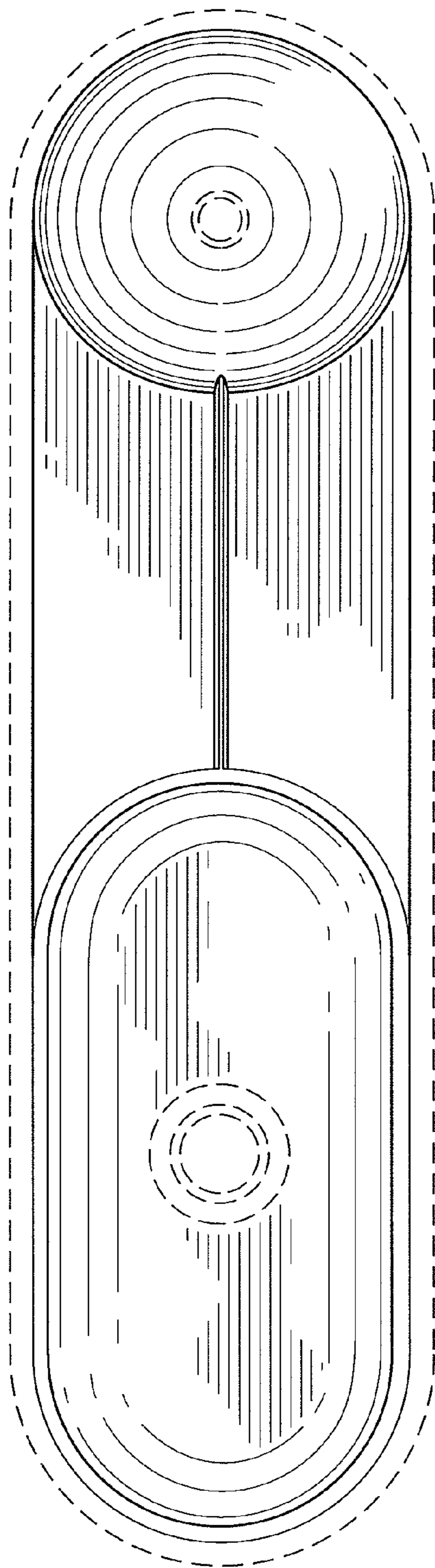


FIG. 2

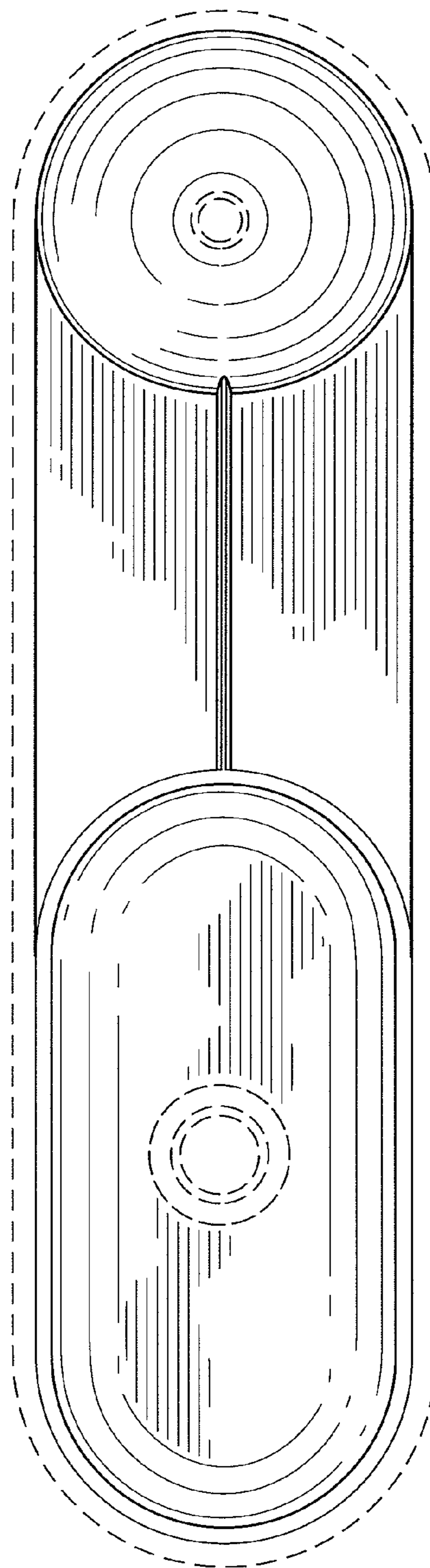


FIG. 3

