



US00D588679S

(12) **United States Design Patent**
Cheng

(10) **Patent No.:** **US D588,679 S**
(45) **Date of Patent:** **** Mar. 17, 2009**

(54) **SINK**

D499,801 S 12/2004 Soulier
D520,611 S 5/2006 Wozniczka et al.

(75) Inventor: **Fu-Tung Cheng**, Albany, CA (US)

* cited by examiner

(73) Assignee: **Elkay Manufacturing Company**, Oak Brook, IL (US)

Primary Examiner—Robert A Delehanty
(74) *Attorney, Agent, or Firm*—Leydig, Voit & Mayer, Ltd.

(**) Term: **14 Years**

(57) **CLAIM**

(21) Appl. No.: **29/306,603**

The ornamental design for a sink, as shown and described.

(22) Filed: **Apr. 11, 2008**

DESCRIPTION

(51) **LOC (9) Cl.** **23-02**

FIG. 1 is a perspective view taken from the top, front, and right side of a sink showing my new design;

(52) **U.S. Cl.** **D23/287**

FIG. 2 is a perspective view taken from the top, rear, and left side of the sink shown in FIG. 1;

(58) **Field of Classification Search** D23/271–274,
D23/284–293.1, 303, 308; 4/619, 624, 660,
4/637

FIG. 3 is a top plan view of the sink shown in FIG. 1;

See application file for complete search history.

FIG. 4 is a bottom view of the sink shown in FIG. 1;

(56) **References Cited**

FIG. 5 is a front elevational view of the sink shown in FIG. 1;

U.S. PATENT DOCUMENTS

FIG. 6 is a rear elevational view of the sink shown in FIG. 1;

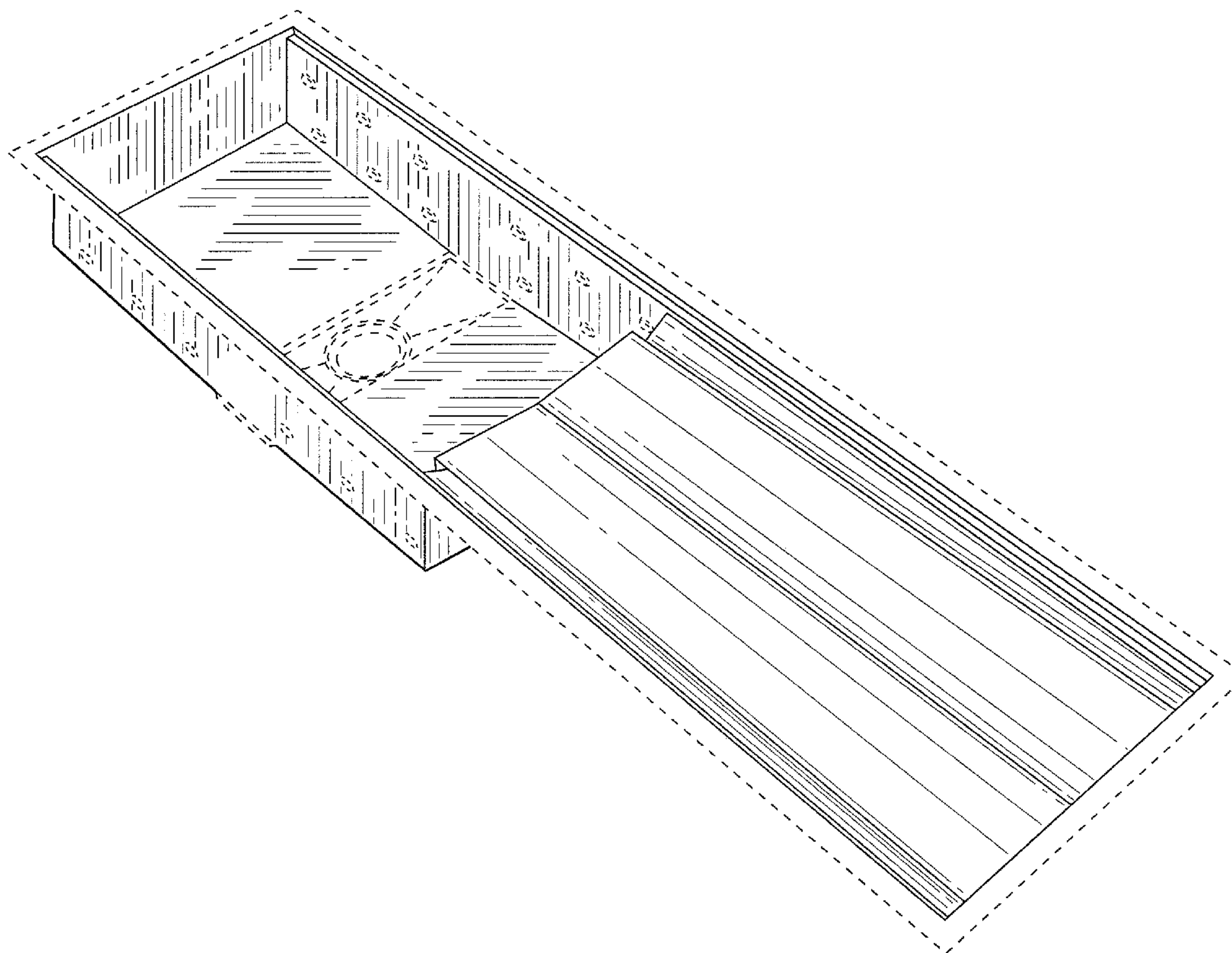
1,660,958 A *	2/1928	Gloekler	4/637
D108,017 S	1/1938	Morgan		
D148,795 S	2/1948	Keller		
D179,031 S	10/1956	Parker		
2,784,418 A	3/1957	Luoma		
D260,924 S	9/1981	Hurray		
D324,903 S	3/1992	Sauter et al.		
D397,213 S *	8/1998	Bonnell	D23/290
D494,257 S *	8/2004	Moran et al.	D23/284

FIG. 7 is a left elevational side view of the sink shown in FIG. 1; and,

FIG. 8 is a right elevational side view of the sink shown in FIG. 1.

The broken lines are for illustration purposes only and form no part of the claimed design.

1 Claim, 4 Drawing Sheets



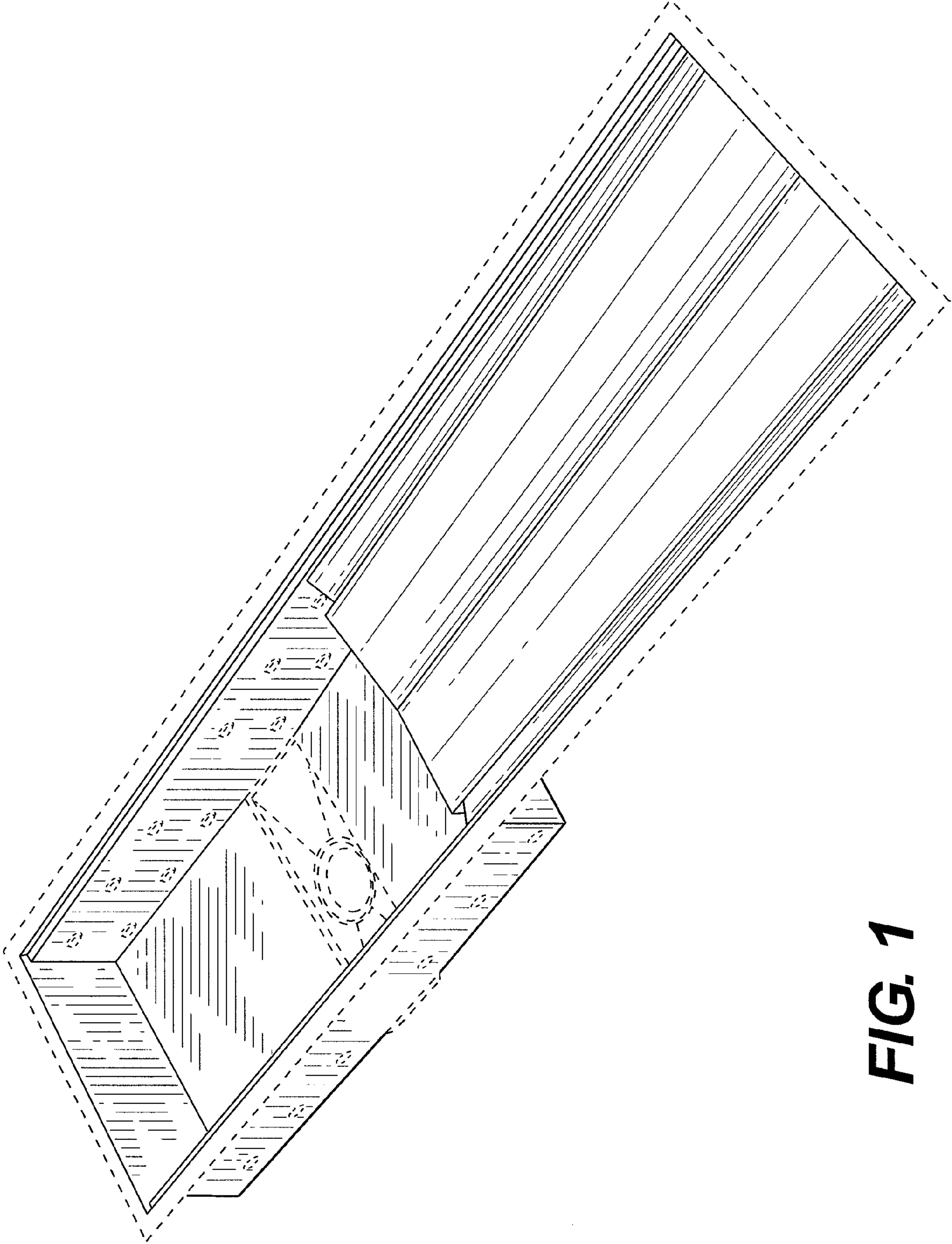


FIG. 1

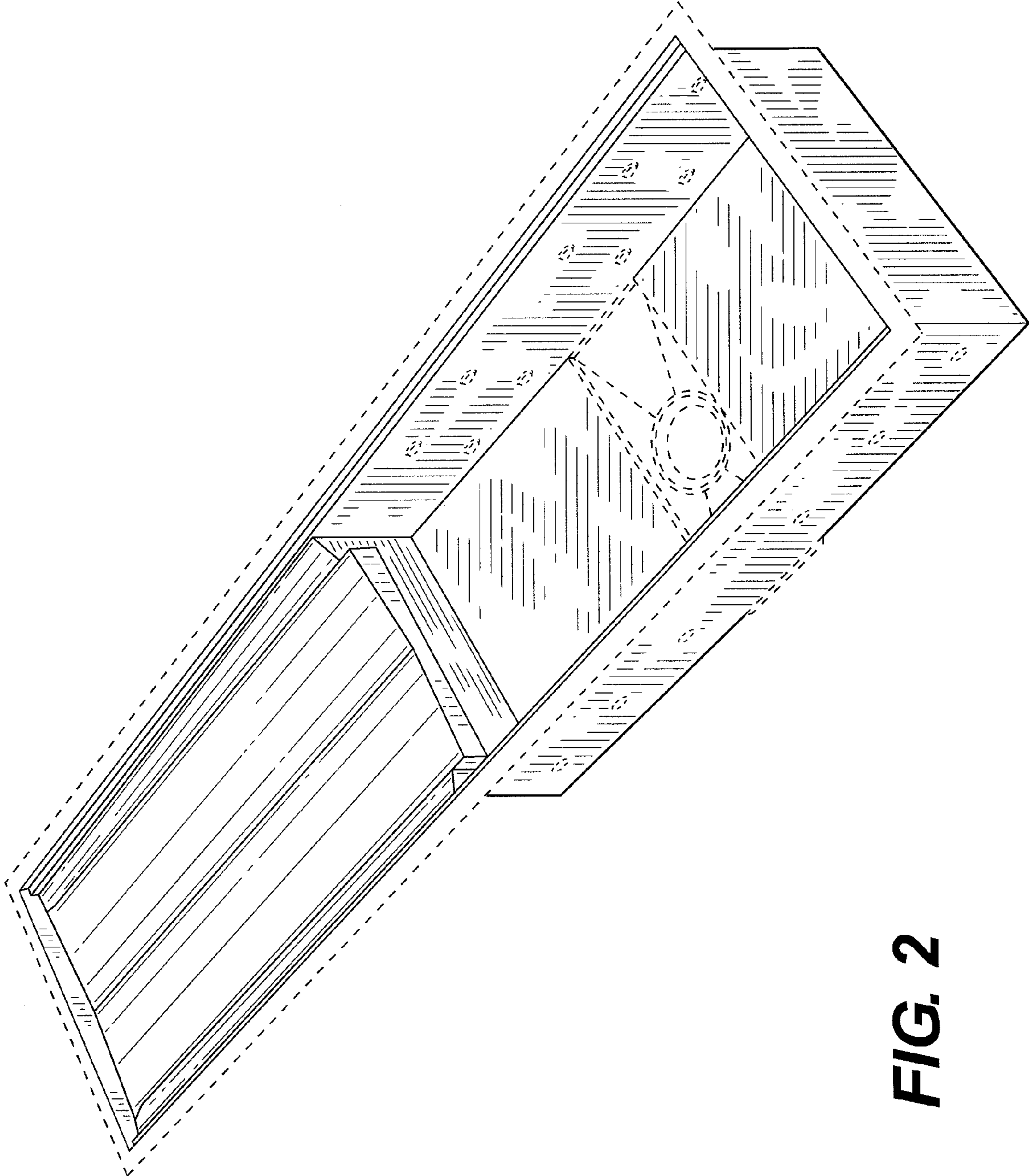


FIG. 2

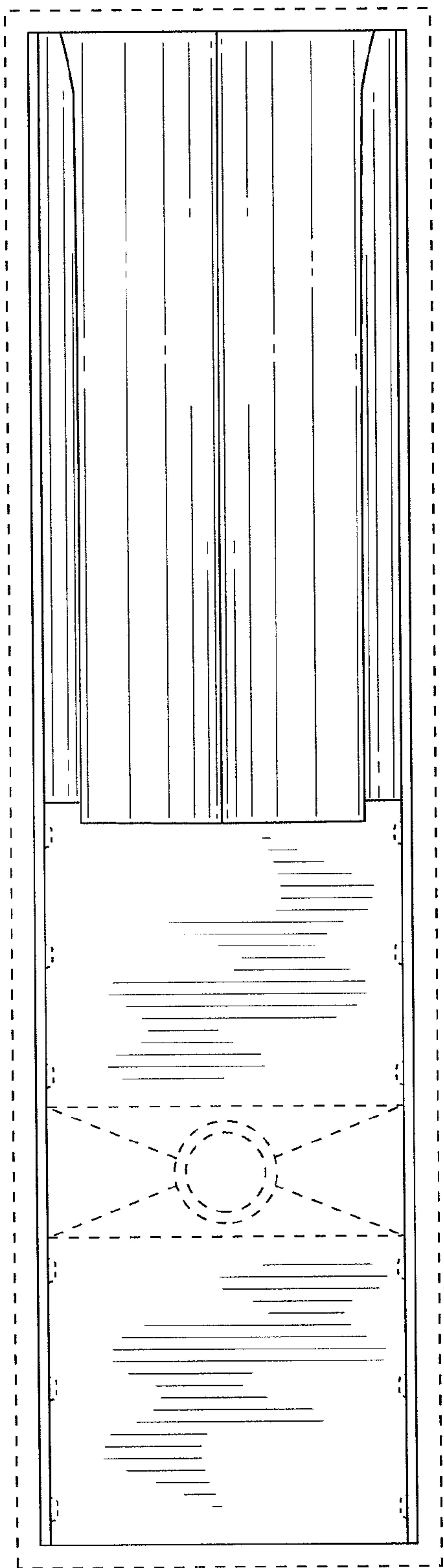


FIG. 3

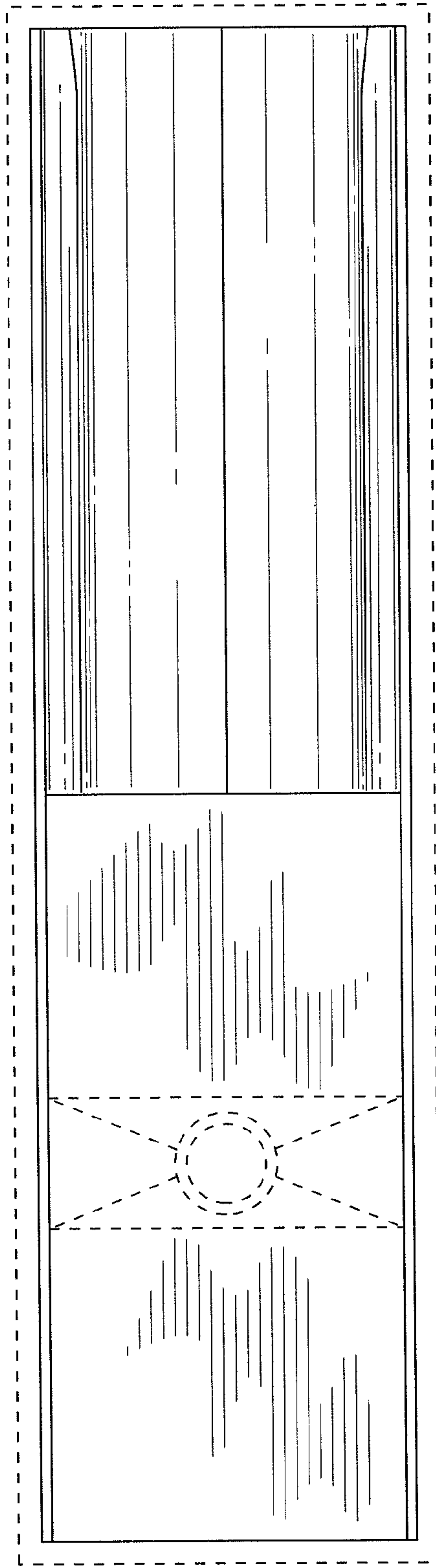


FIG. 4

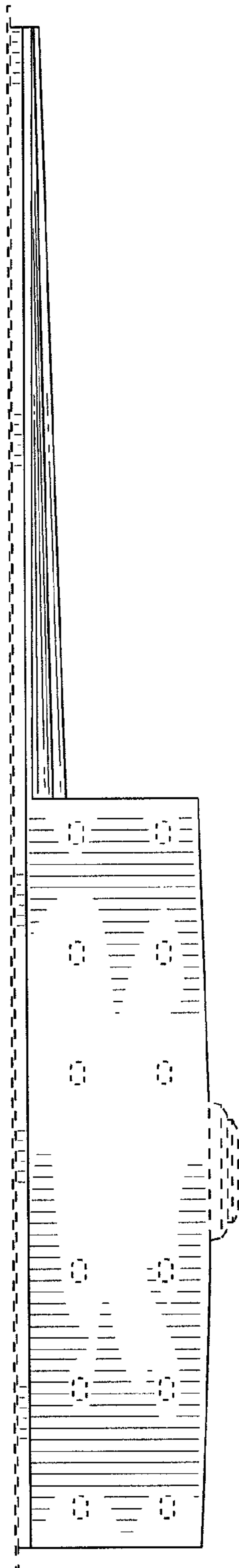


FIG. 5

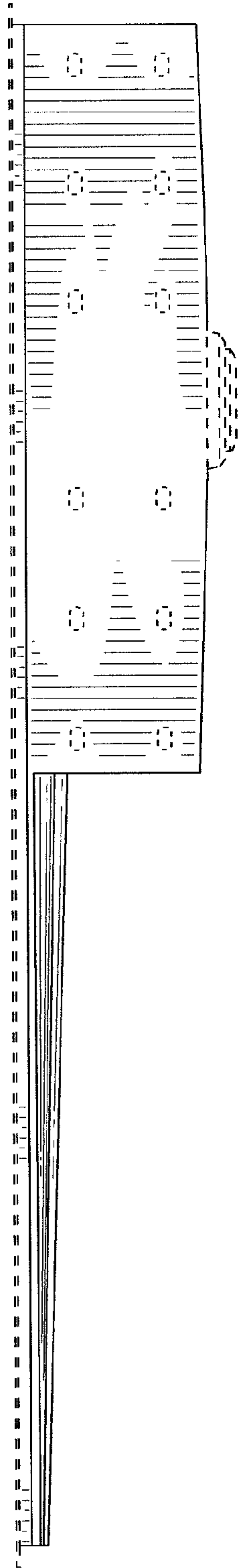


FIG. 6



FIG. 7

FIG. 8