



US00D588678S

(12) **United States Design Patent**
Chong et al.

(10) **Patent No.:** **US D588,678 S**
(45) **Date of Patent:** **** Mar. 17, 2009**

(54) **SINK**

(75) Inventors: **Jonathan C. Chong**, Chicago, IL (US);
Evan A. Fulford, Chicago, IL (US)

(73) Assignee: **Elkay Manufacturing Company**, Oak
Brook, IL (US)

(**) Term: **14 Years**

(21) Appl. No.: **29/306,287**

(22) Filed: **Apr. 4, 2008**

(51) **LOC (9) Cl.** **23-02**

(52) **U.S. Cl.** **D23/286**

(58) **Field of Classification Search** D23/271–274,
D23/284–293.1, 303, 308, 201; 4/619, 660,
4/663–664, 630, 638, 624; D6/397, 419,
D6/432, 445

See application file for complete search history.

(56) **References Cited**

U.S. PATENT DOCUMENTS

D88,405 S	11/1932	Hagopian	
D468,815 S	1/2003	Kahle et al.	
D474,835 S	5/2003	Kahle et al.	
D501,674 S	2/2005	Adkison	
D508,113 S *	8/2005	Ng	D23/293.1
D537,149 S	2/2007	Douglass et al.	
D540,422 S *	4/2007	Rusic	D23/201

OTHER PUBLICATIONS

Neo-Metro, "Deep Ebb Basin," (Nov. 15, 2004).
Neo-Metro, "Shallow Ebb Basin," (Nov. 15, 2004).
Neo-Metro, "Symmetric Ebb Basin," (Jul. 25, 2005).
Neo-Metro, "The Neo-Metro Collection-Ebb Basin," retrieved from
http://www.neo-metro.com/basin_ebb.html on Aug. 8, 2005.

* cited by examiner

Primary Examiner—Robert A Delehanty
(74) *Attorney, Agent, or Firm*—Leydig, Voit & Mayer, Ltd.

(57) **CLAIM**

The ornamental design for a sink, as shown and described.

DESCRIPTION

FIG. 1 is a perspective view taken from the top, front, and right side of a sink showing our new design;

FIG. 2 is a top plan view of the sink shown in FIG. 1;

FIG. 3 is a bottom view of the sink shown in FIG. 1;

FIG. 4 is a front elevational view of the sink shown in FIG. 1;

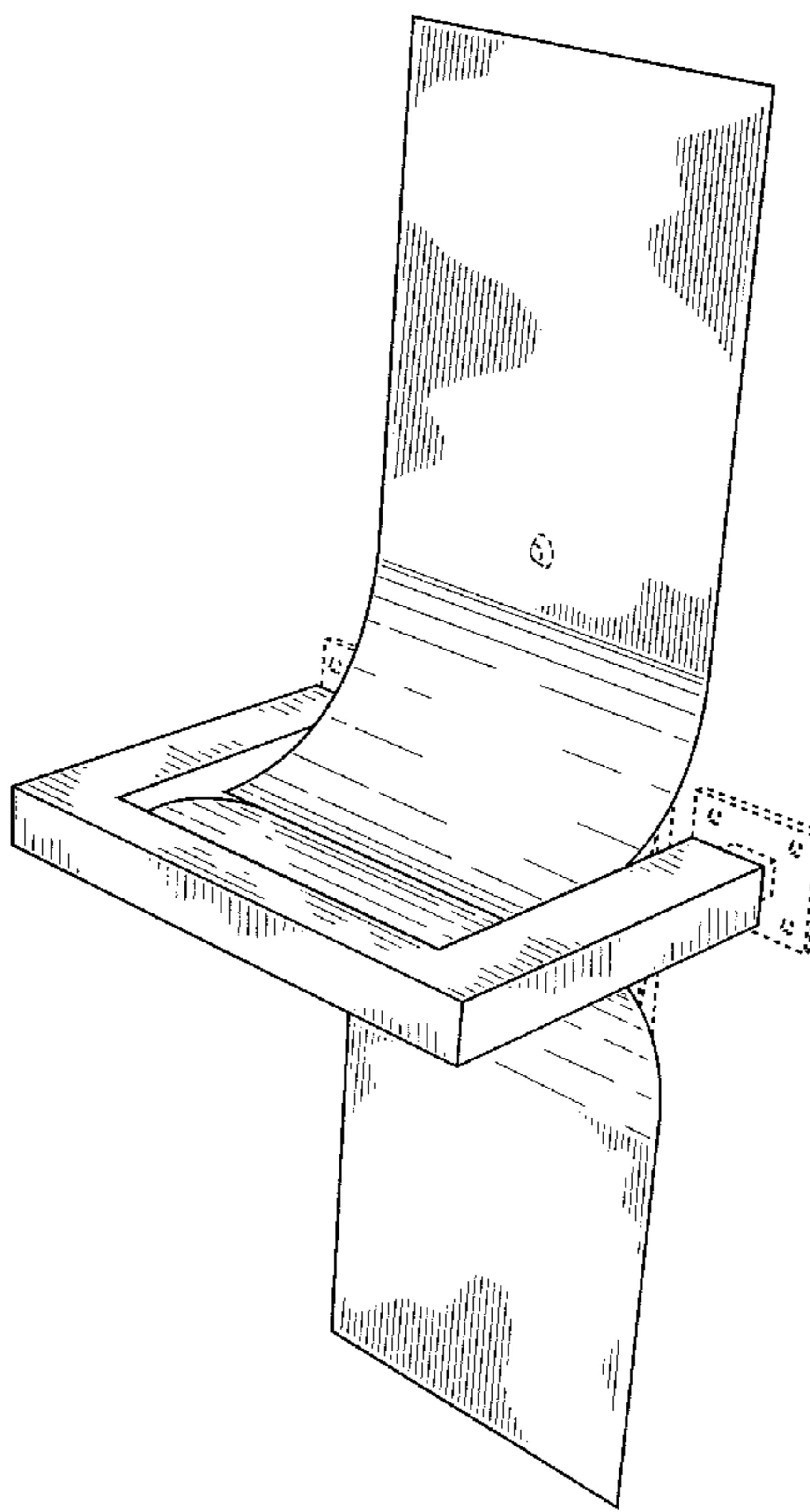
FIG. 5 is a rear elevational view of the sink shown in FIG. 1;

FIG. 6 is a left elevational side view of the sink shown in FIG. 1; and,

FIG. 7 is a right elevational side view of the sink shown in FIG. 1.

The broken lines are for illustration purposes only and form no part of the claimed design.

1 Claim, 4 Drawing Sheets



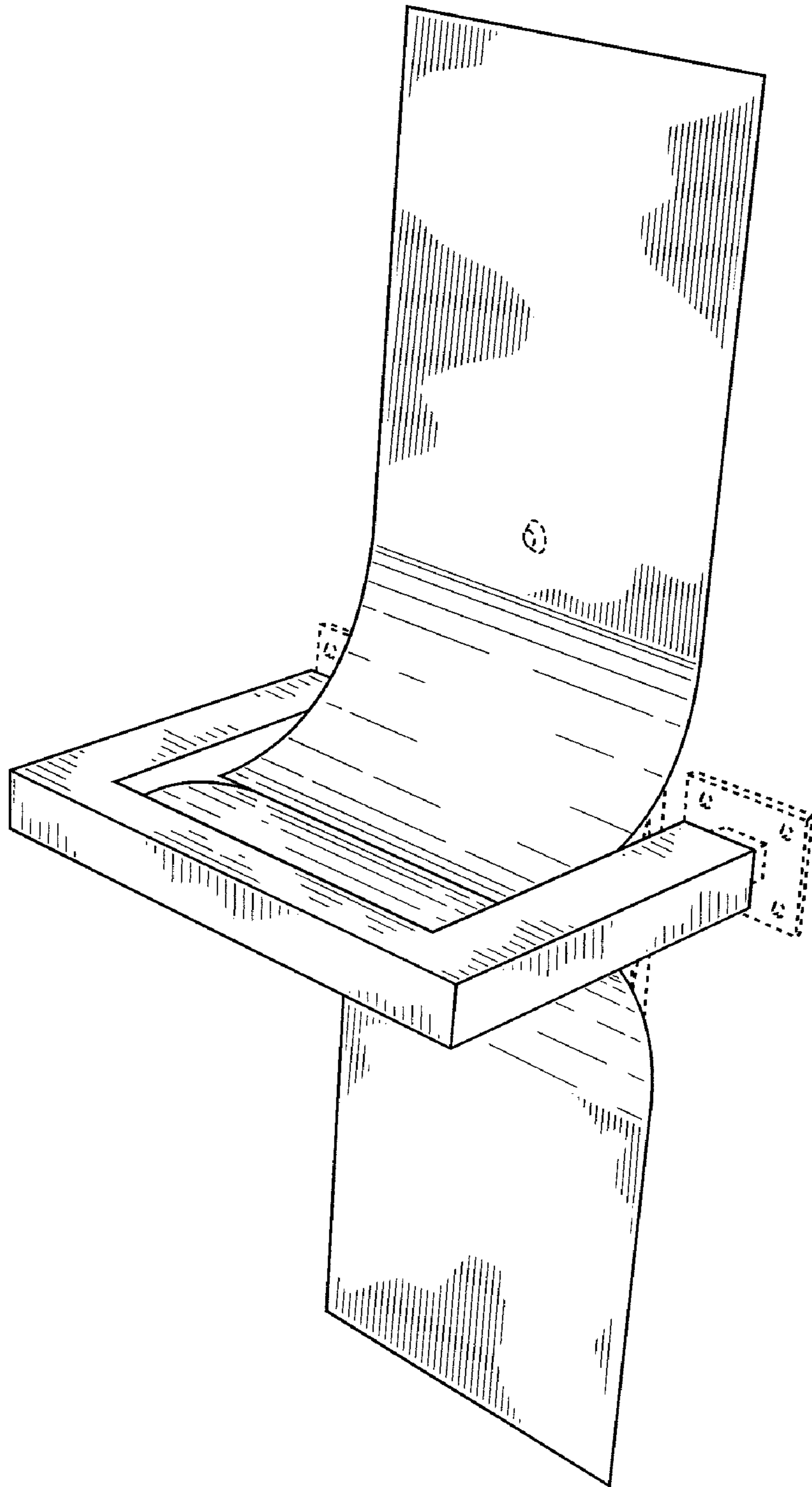


FIG. 1

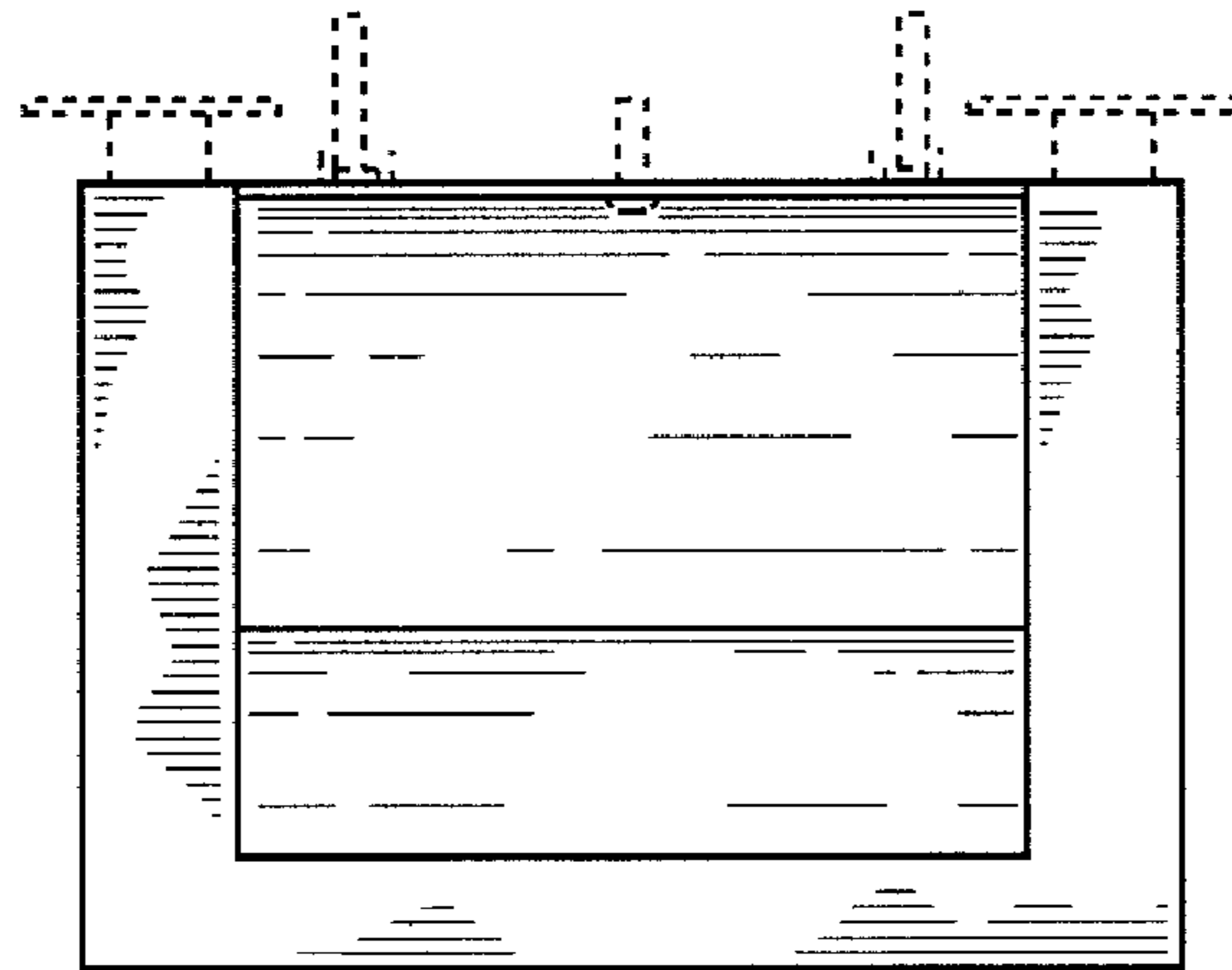


FIG. 2

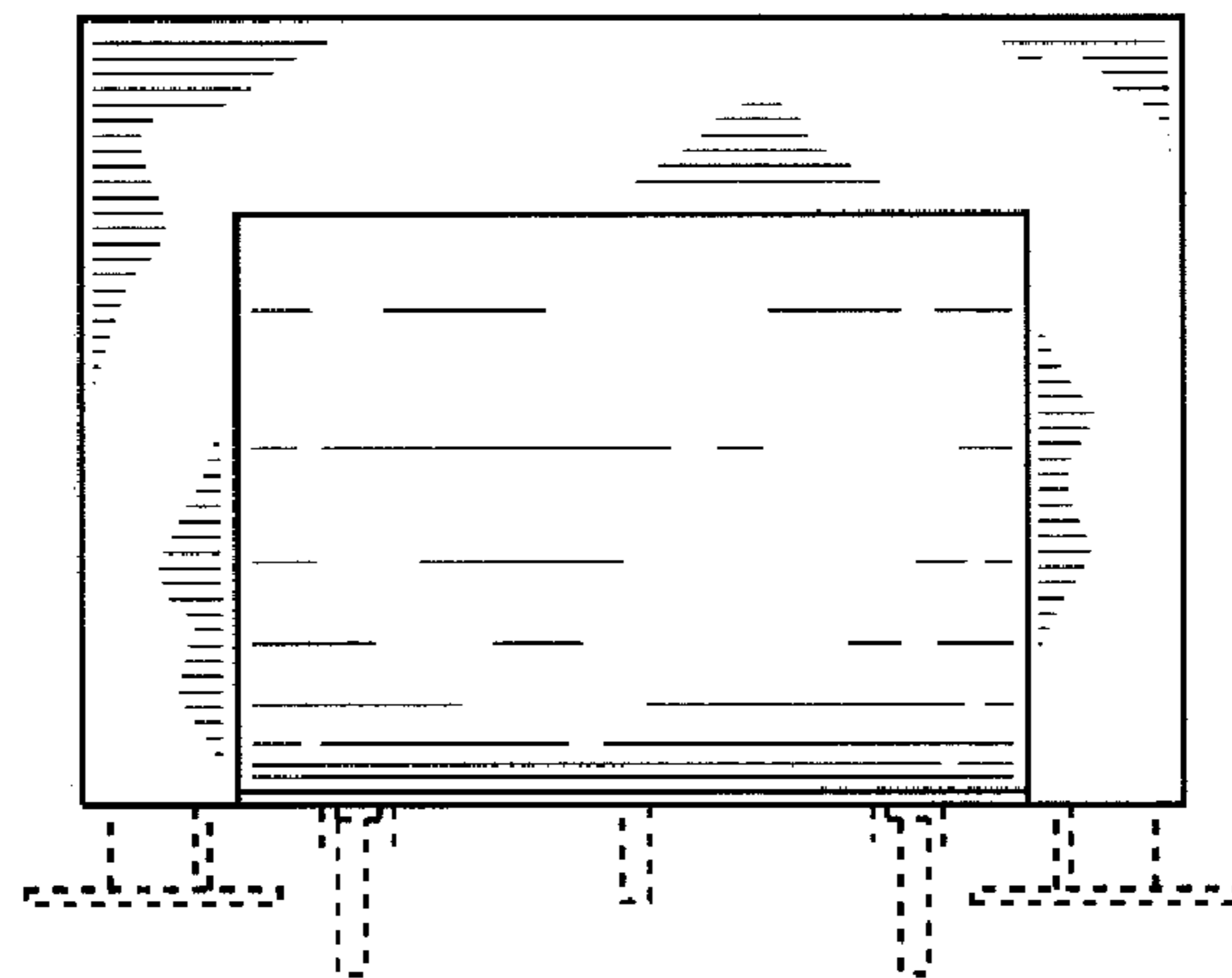


FIG. 3

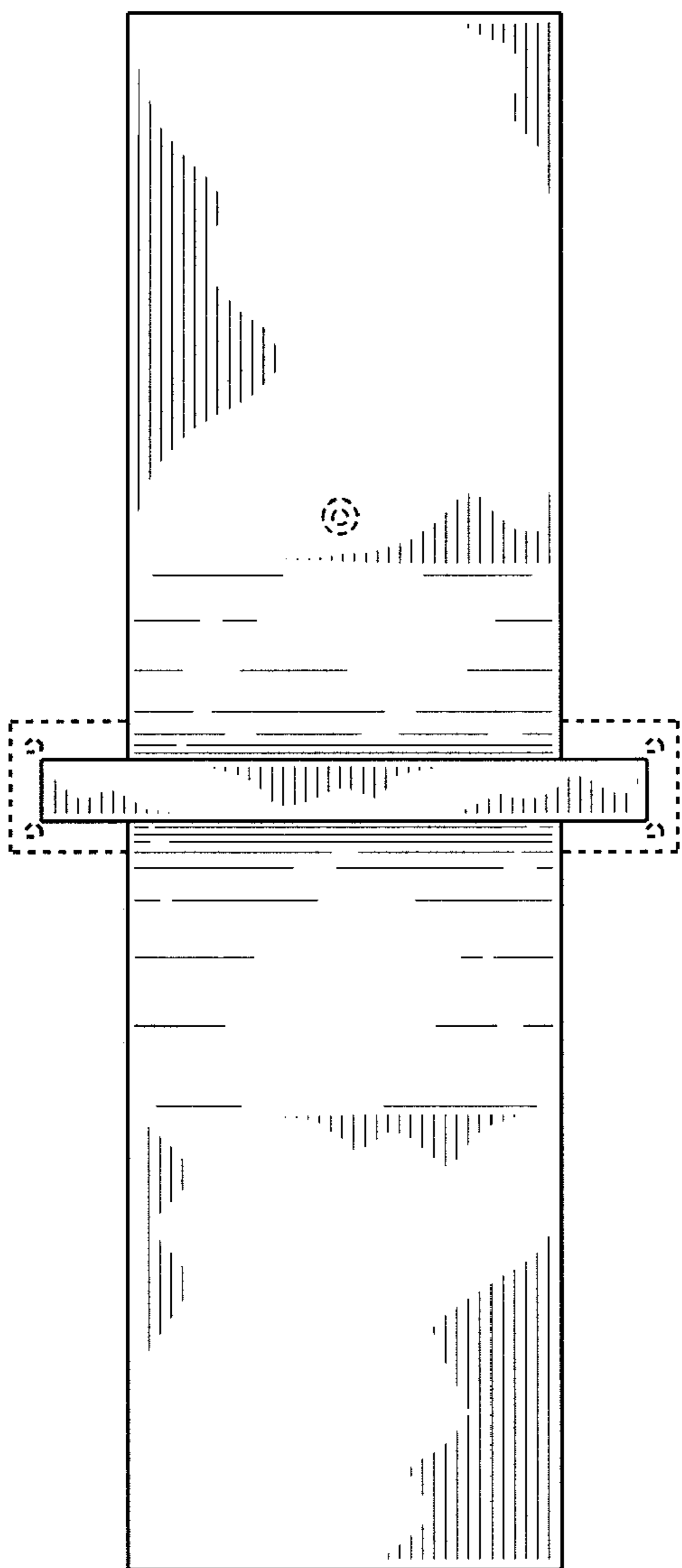


FIG. 4

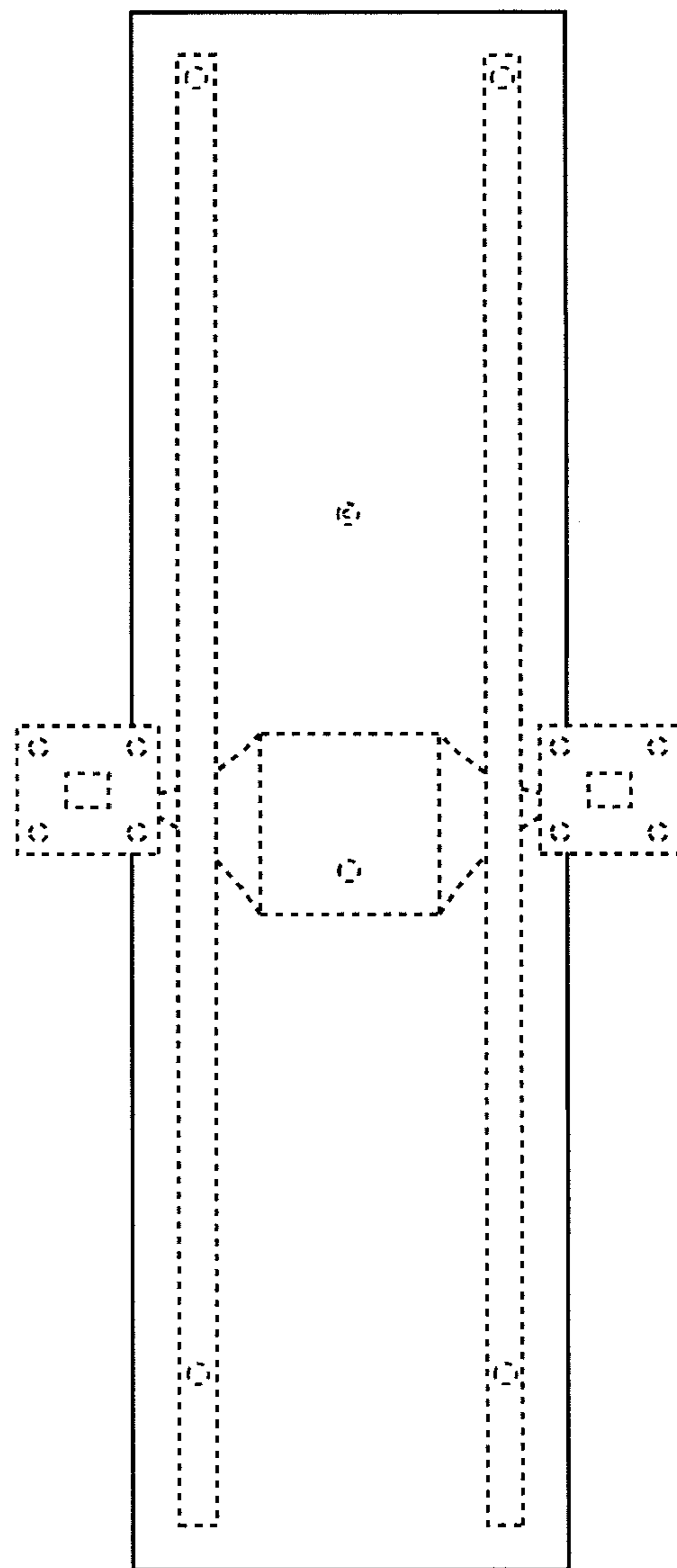


FIG. 5

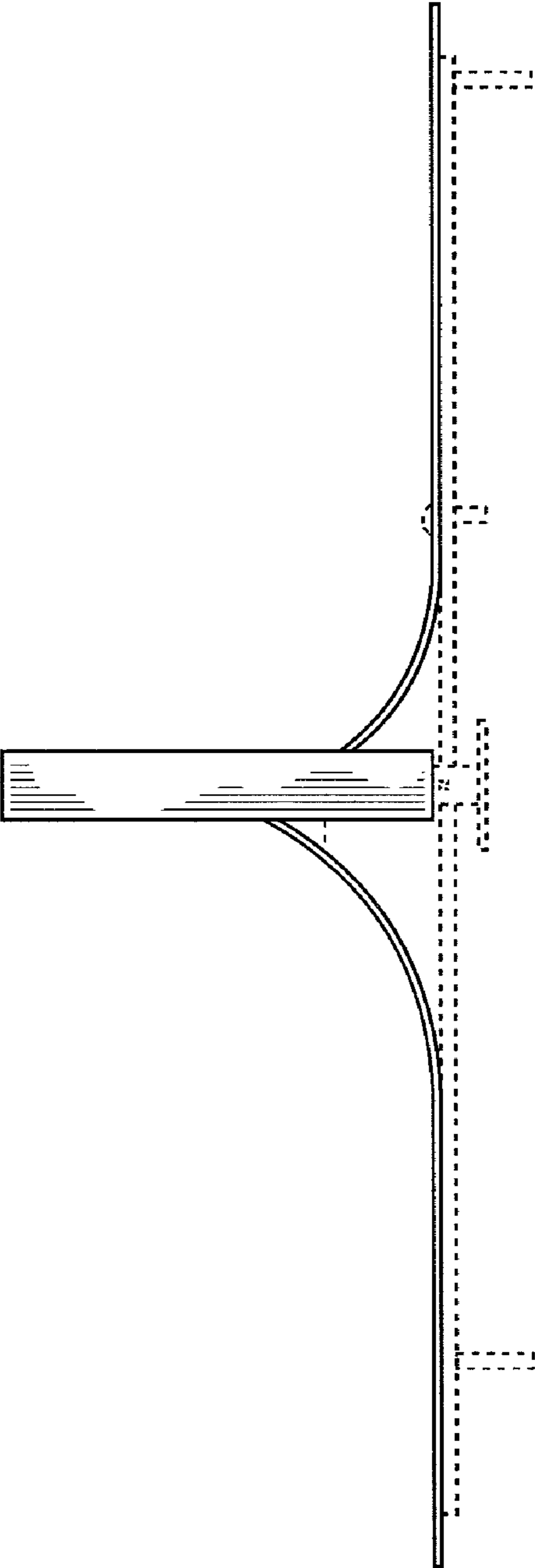
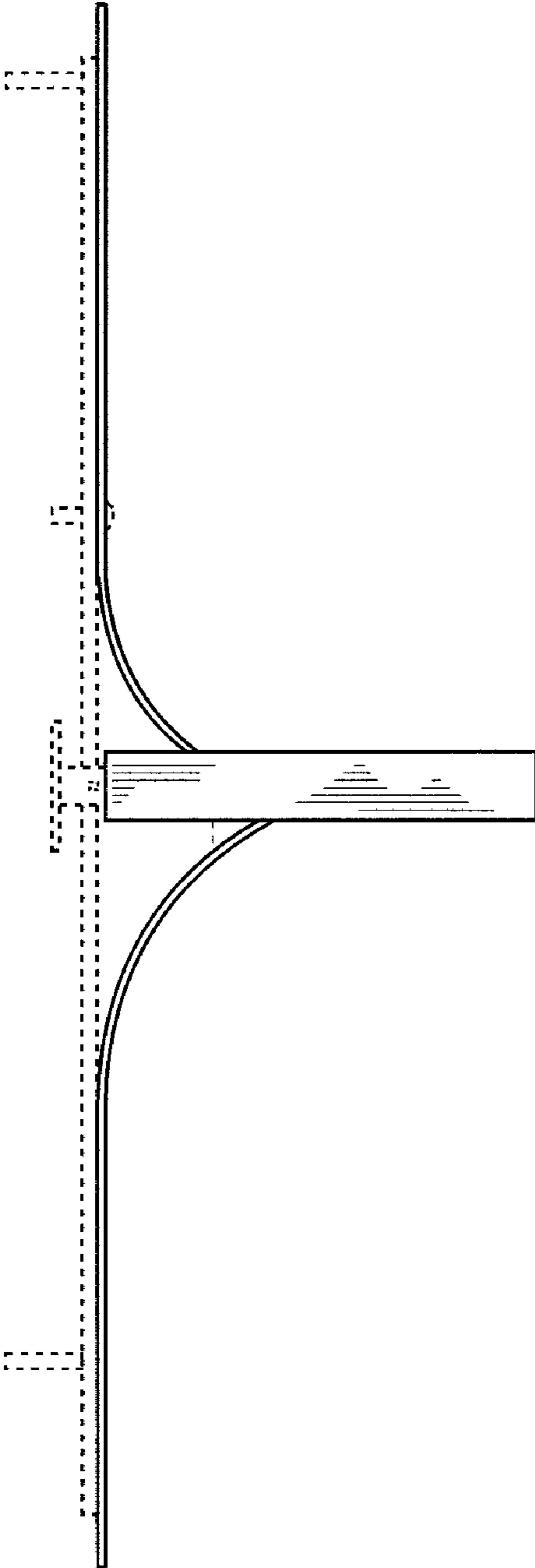


FIG. 6

FIG. 7