



US00D588675S

(12) **United States Design Patent**
Grocholske

(10) **Patent No.:** **US D588,675 S**
(45) **Date of Patent:** **** Mar. 17, 2009**

(54) **NOZZLE**

7,195,181 B2 * 3/2007 Steingass et al. 239/581.1

(75) Inventor: **Arthur Grocholske**, Stroudsburg, PA
(US)

* cited by examiner

Primary Examiner—Robin V Webster

(73) Assignee: **Strahman Valves, Inc.**, Bethlehem, PA
(US)

(74) *Attorney, Agent, or Firm*—Graham Curtin, P.A.

(**) Term: **14 Years**

(57) **CLAIM**

The ornamental design for a nozzle, as shown and described.

(21) Appl. No.: **29/320,416**

DESCRIPTION

(22) Filed: **Jun. 26, 2008**

FIG. 1 is a perspective view of a nozzle showing my new design;

(51) **LOC (9) Cl.** **23-01**

(52) **U.S. Cl.** **D23/213**

(58) **Field of Classification Search** D23/213,
D23/223, 226; 239/525–527, 459, 690
See application file for complete search history.

FIG. 2 is a front view thereof;

FIG. 3 is a rear view thereof;

FIG. 4 is a right side elevation view thereof, the left side elevation being a mirror image thereof;

FIG. 5 a top view thereof; and,

FIG. 6 is a bottom view thereof.

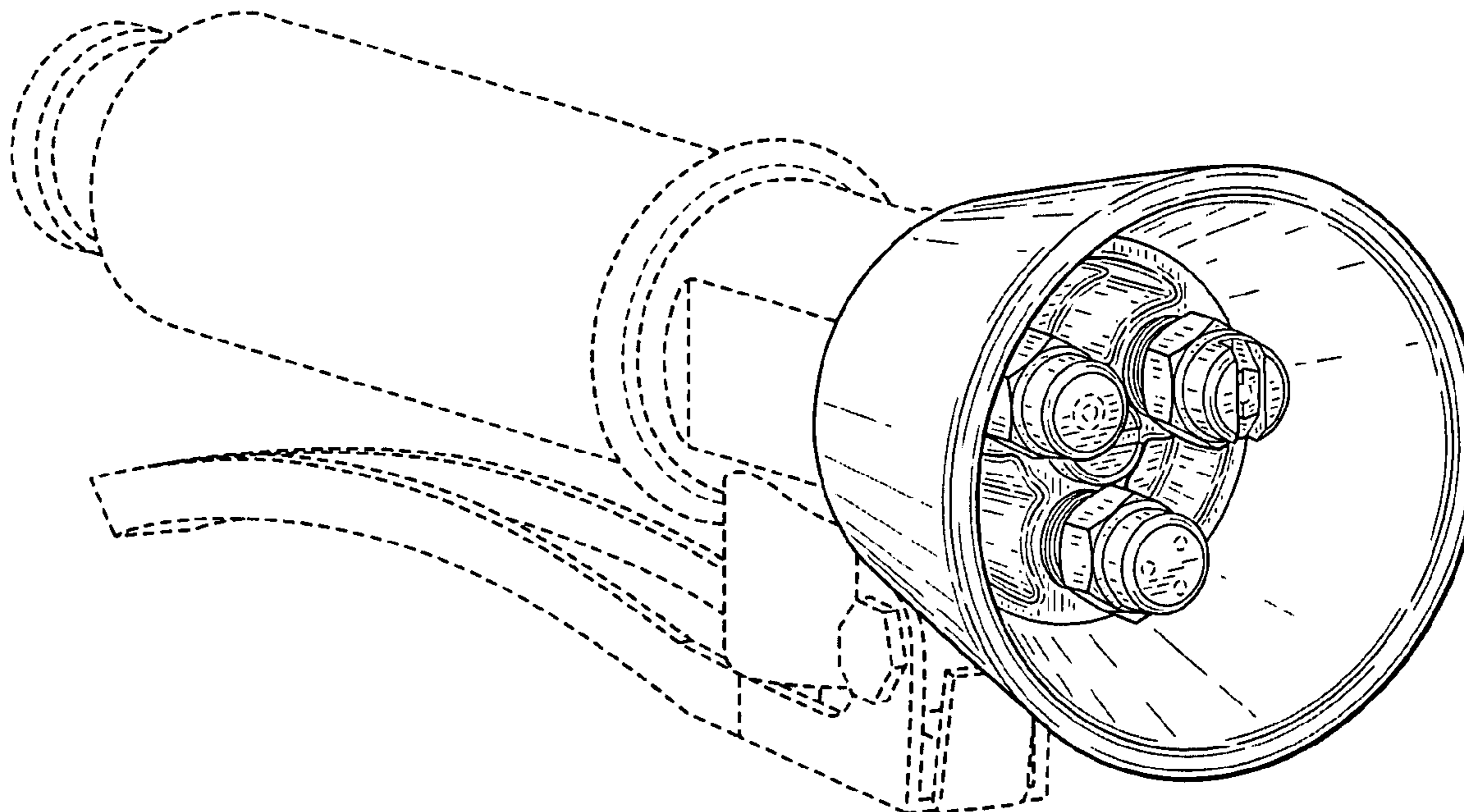
The broken lines are for purposes of illustration and form no part of the claimed design.

(56) **References Cited**

U.S. PATENT DOCUMENTS

6,921,032	B2 *	7/2005	Habermacher et al.	239/525
D514,194	S *	1/2006	Sener et al.	D23/213
7,007,868	B1 *	3/2006	Chen	239/525
D532,862	S *	11/2006	Chung	D23/213

1 Claim, 5 Drawing Sheets



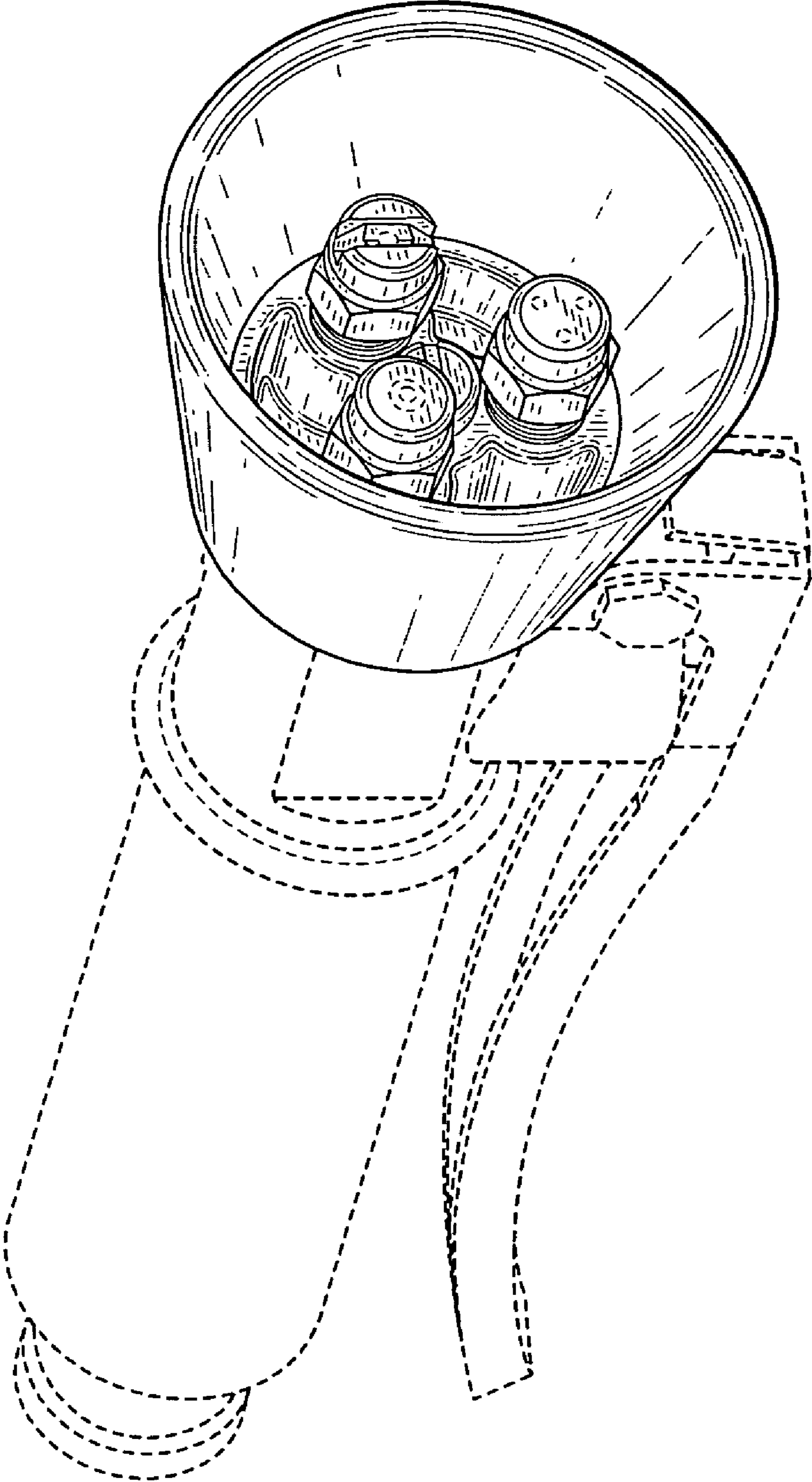


FIG. 1

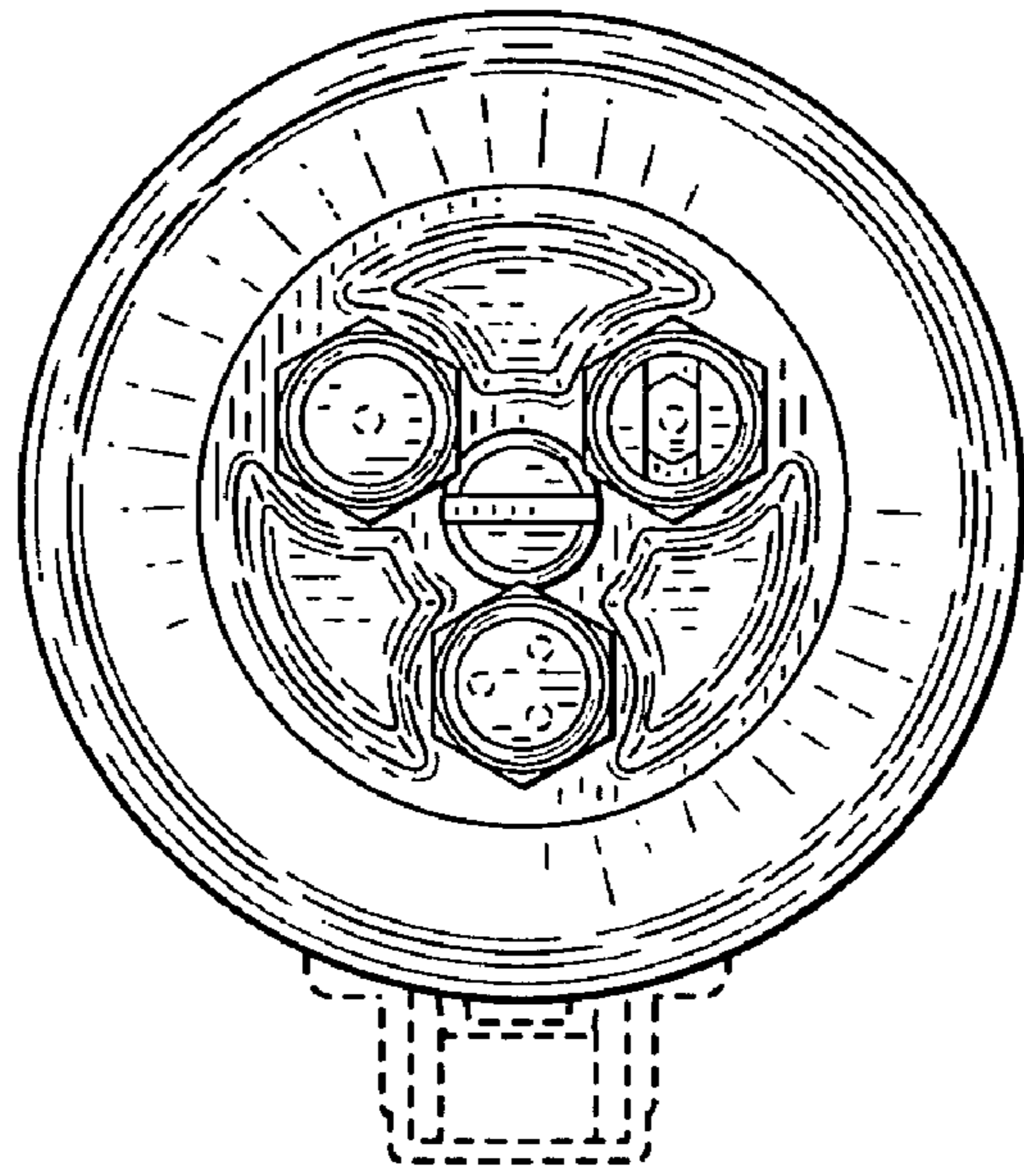


FIG. 2

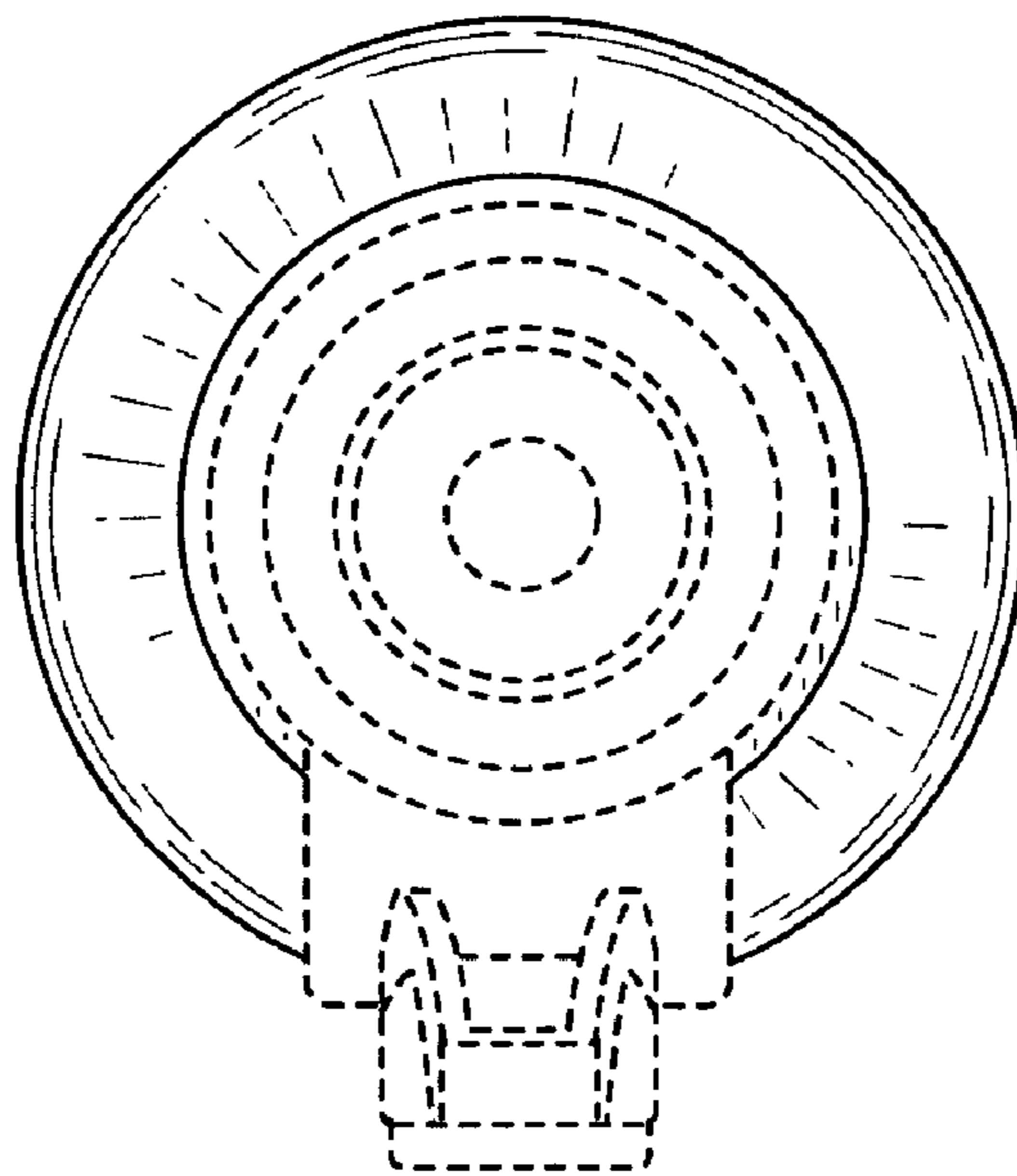


FIG. 3

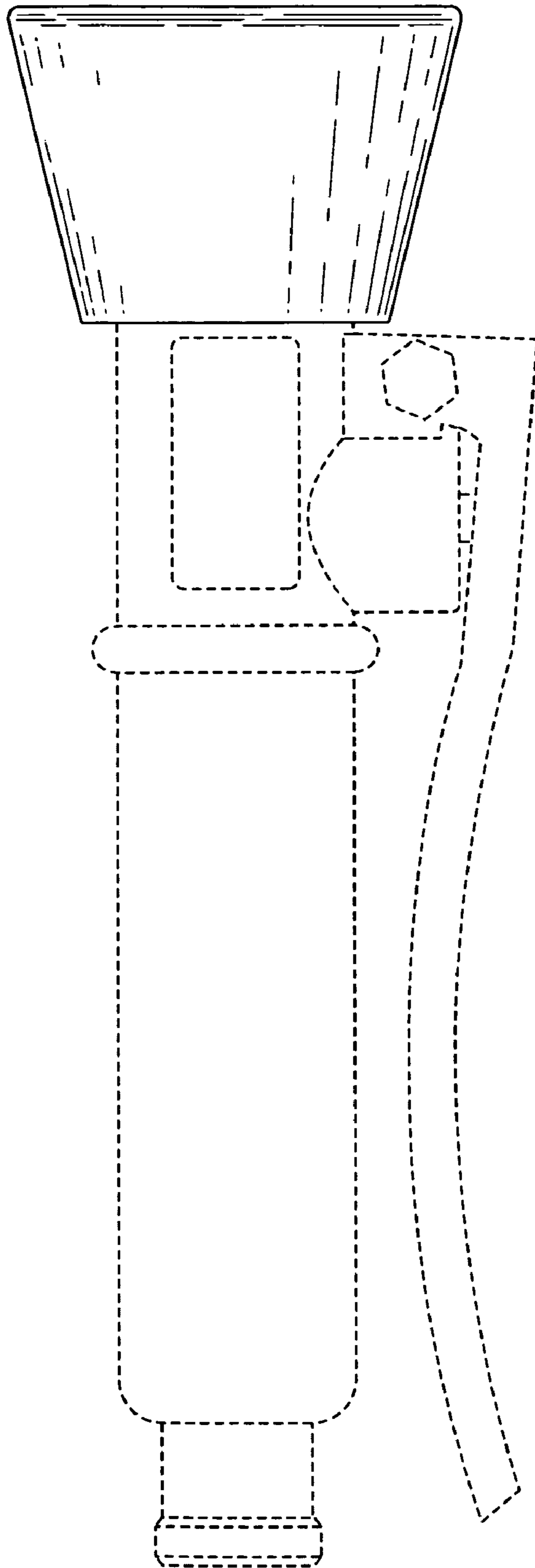


FIG. 4

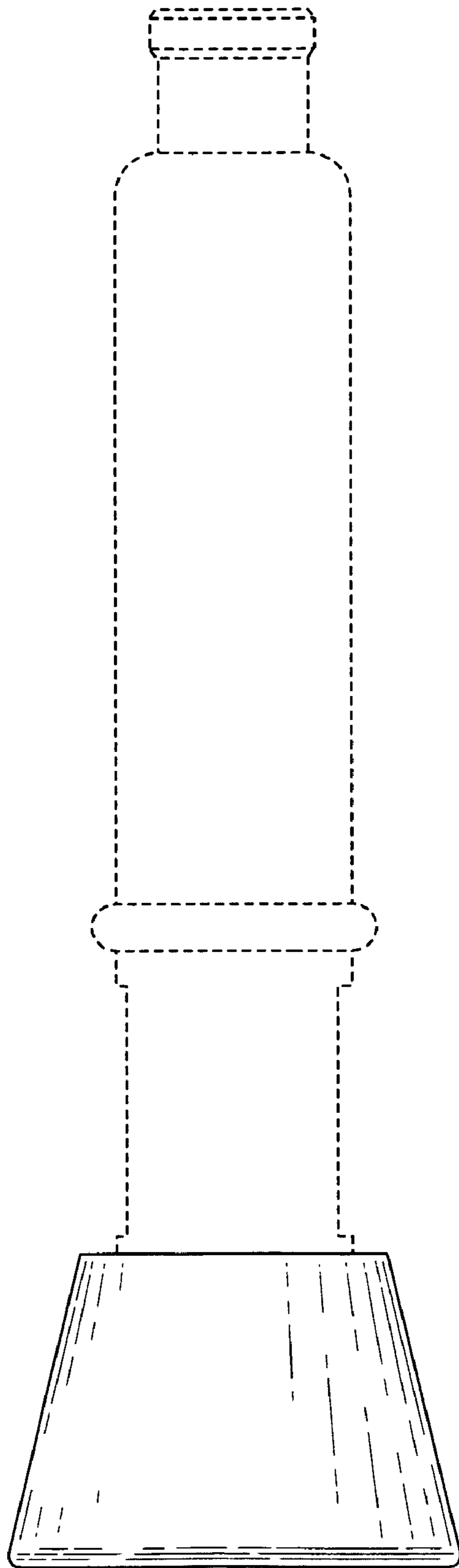


FIG. 5

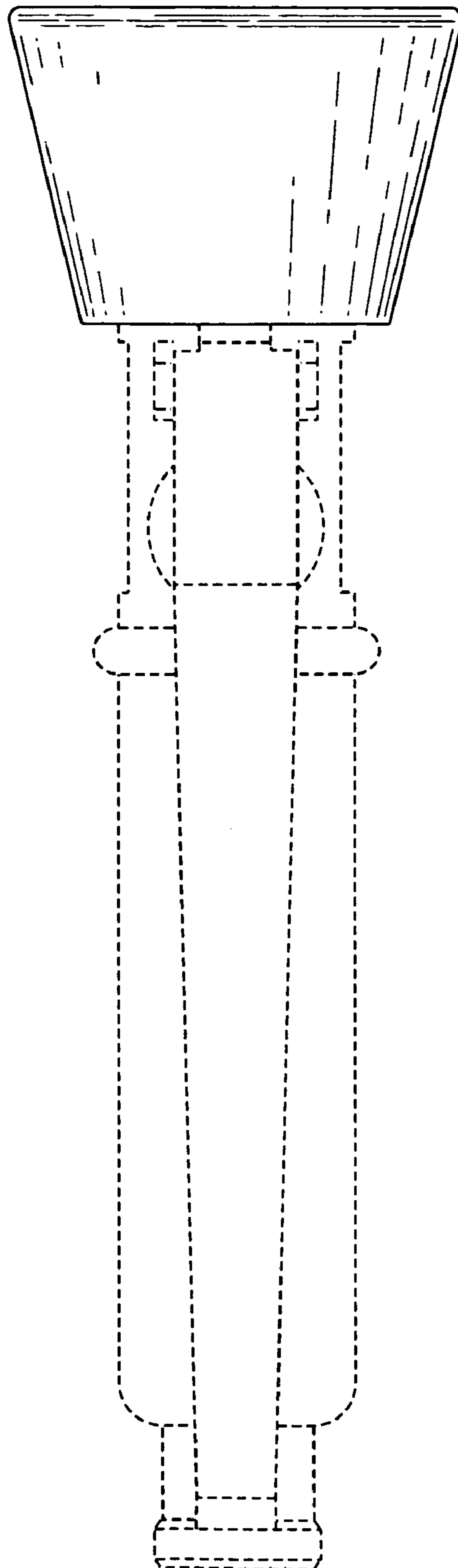


FIG. 6