



US00D588674S

(12) **United States Design Patent**
Scali et al.

(10) **Patent No.:** **US D588,674 S**
(45) **Date of Patent:** **** Mar. 17, 2009**

(54) **WATERFALL UNIT**

(75) Inventors: **Ian P. A. Scali**, Ontario, CA (US); **Erica A. Moir**, Santa Ana, CA (US); **Charles S. Bonzagni**, Ventura, CA (US); **Adrian Alfaro**, Menifee, CA (US)

(73) Assignee: **Sundance Spas, Inc.**, Chino, CA (US)

(**) Term: **14 Years**

(21) Appl. No.: **29/296,552**

(22) Filed: **Oct. 23, 2007**

(51) **LOC (9) Cl.** **23-01**

(52) **U.S. Cl.** **D23/201; D23/293.1**

(58) **Field of Classification Search** D23/201,
D23/284, 293.1; D7/304; 239/17-20
See application file for complete search history.

(56) **References Cited**

U.S. PATENT DOCUMENTS

3,211,378 A * 10/1965 Zysk 239/20
D340,970 S * 11/1993 Kohler et al. D23/293.1

(Continued)

Primary Examiner—Robin V Webster

(74) *Attorney, Agent, or Firm*—The Webb Law Firm

(57) **CLAIM**

The ornamental designs for a waterfall unit, as shown and described.

DESCRIPTION

FIG. 1 is a perspective view of a waterfall unit in accordance with a first embodiment of the present invention.

FIG. 2 is a front view of a waterfall unit in accordance with the first embodiment of the present invention.

FIG. 3 is a rear view of a waterfall unit in accordance with the first embodiment of the present invention.

FIG. 4 is a top plan view of a waterfall unit in accordance with the first embodiment of the present invention.

FIG. 5 is a bottom view of a waterfall unit in accordance with the first embodiment of the present invention.

FIG. 6 is a side view of a waterfall unit in accordance with the first embodiment of the present invention.

FIG. 7 is an opposing side view of a waterfall unit in accordance with the first embodiment of the present invention.

FIG. 8 is a perspective view of a waterfall unit in accordance with a second embodiment of the present invention.

FIG. 9 is a front view of a waterfall unit in accordance with the second embodiment of the present invention.

FIG. 10 is a rear view of a waterfall unit in accordance with the second embodiment of the present invention.

FIG. 11 is a top plan view of a waterfall unit in accordance with the second embodiment of the present invention.

FIG. 12 is a bottom view of a waterfall unit in accordance with the second embodiment of the present invention.

FIG. 13 is a side view of a waterfall unit in accordance with the second embodiment of the present invention.

FIG. 14 is an opposing side view of a waterfall unit in accordance with the second embodiment of the present invention.

FIG. 15 is a perspective view of a waterfall unit in accordance with a third embodiment of the present invention.

FIG. 16 is a front view of a waterfall unit in accordance with the third embodiment of the present invention.

FIG. 17 is a rear view of a waterfall unit in accordance with the third embodiment of the present invention.

FIG. 18 is a top plan view of a waterfall unit in accordance with the third embodiment of the present invention.

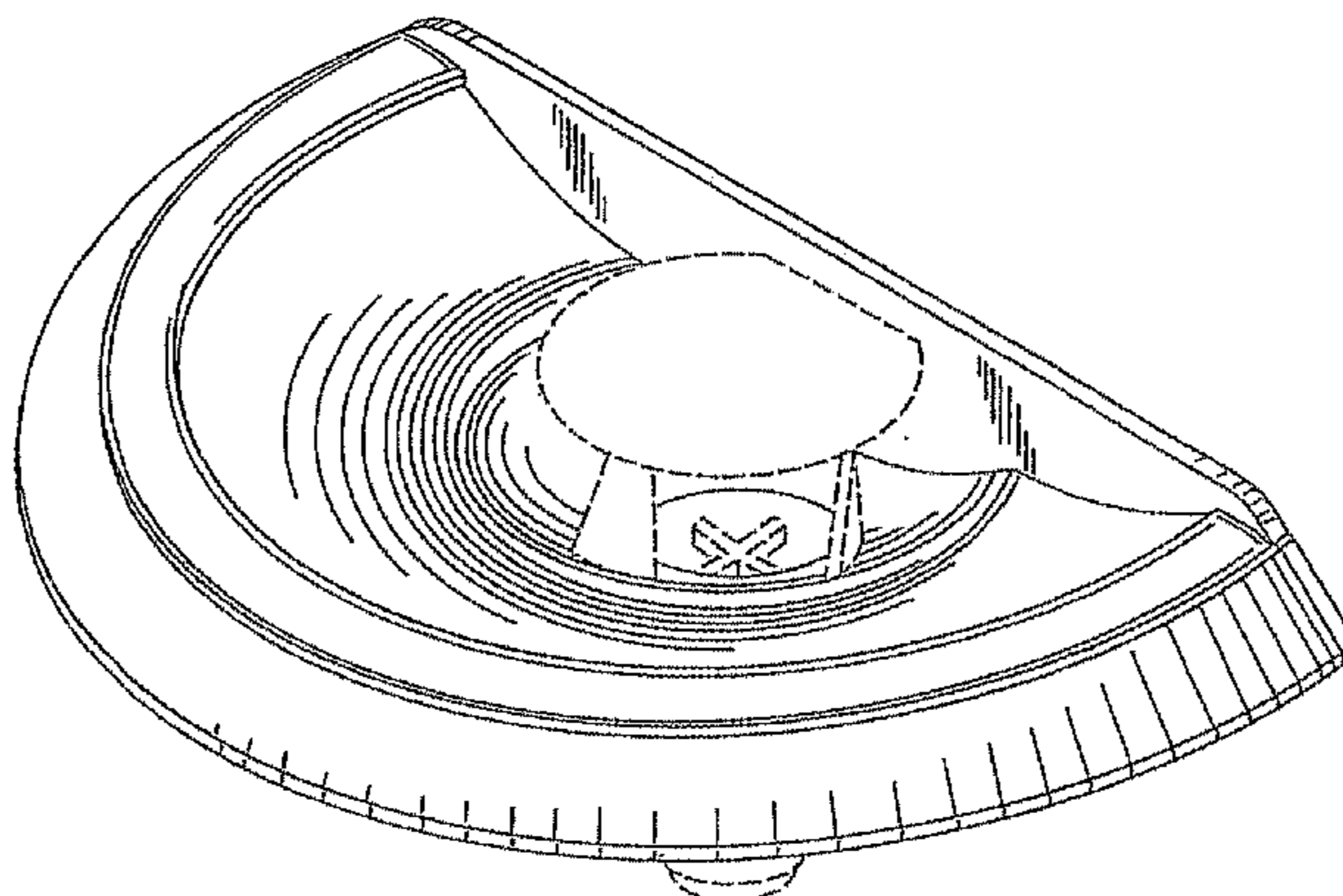
FIG. 19 is a bottom view of a waterfall unit in accordance with the third embodiment of the present invention.

FIG. 20 is a side view of a waterfall unit in accordance with the third embodiment of the present invention; and,

FIG. 21 is an opposing side view of a waterfall unit in accordance with the third embodiment of the present invention.

The broken line portions of the disclosure are for illustrative purposes only and form no part of the claimed designs.

1 Claim, 12 Drawing Sheets



US D588,674 S

Page 2

U.S. PATENT DOCUMENTS

D386,566 S	*	11/1997	Zankow	D23/201	D540,422 S	*	4/2007	Rusic	D23/201
D394,487 S	*	5/1998	Wilson	D23/201	D541,390 S	*	4/2007	Bruce	D23/293.1
D498,292 S	*	11/2004	Piatt	D23/293.1	D545,410 S	*	6/2007	Lin et al.	D23/293.1

* cited by examiner

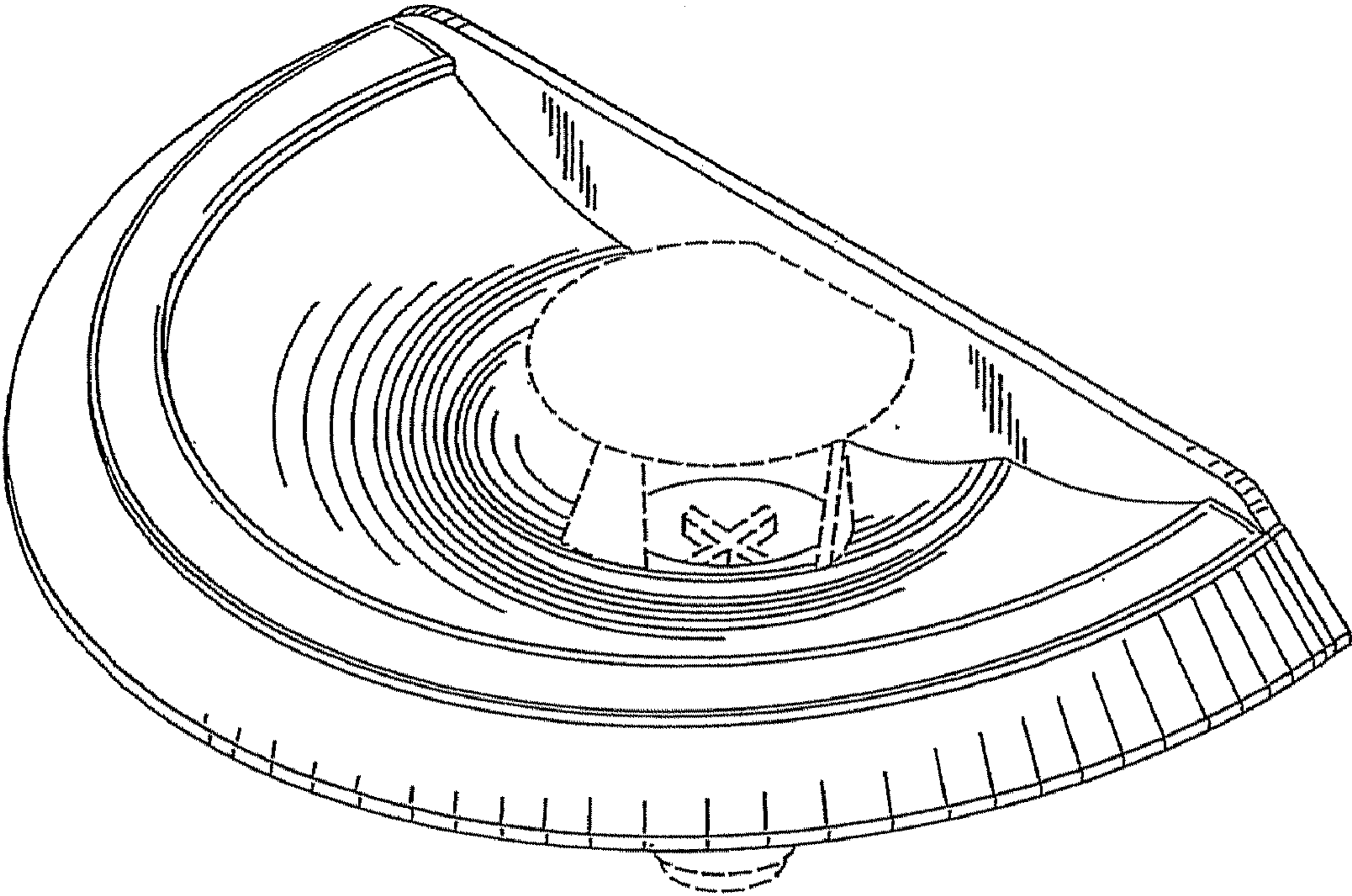


FIG. 1

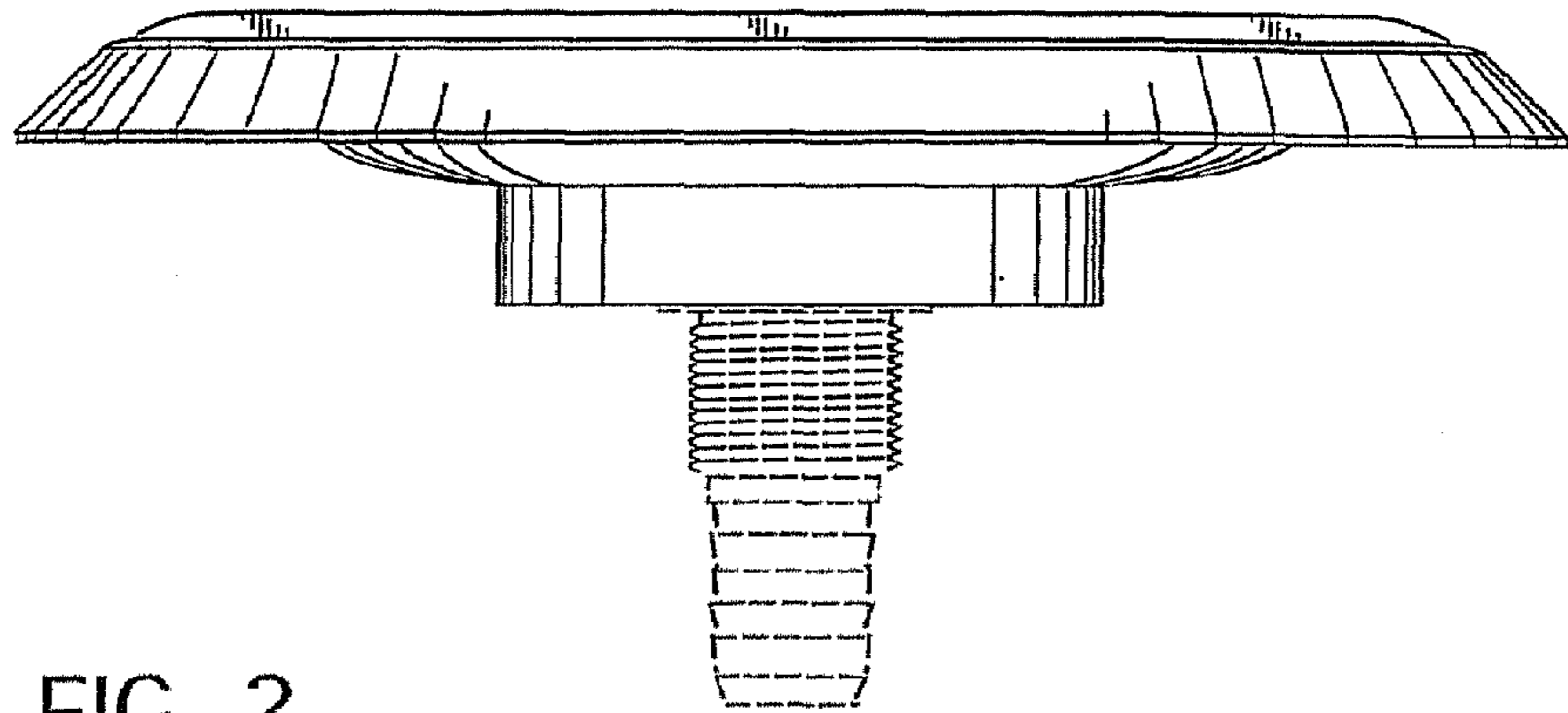


FIG. 2

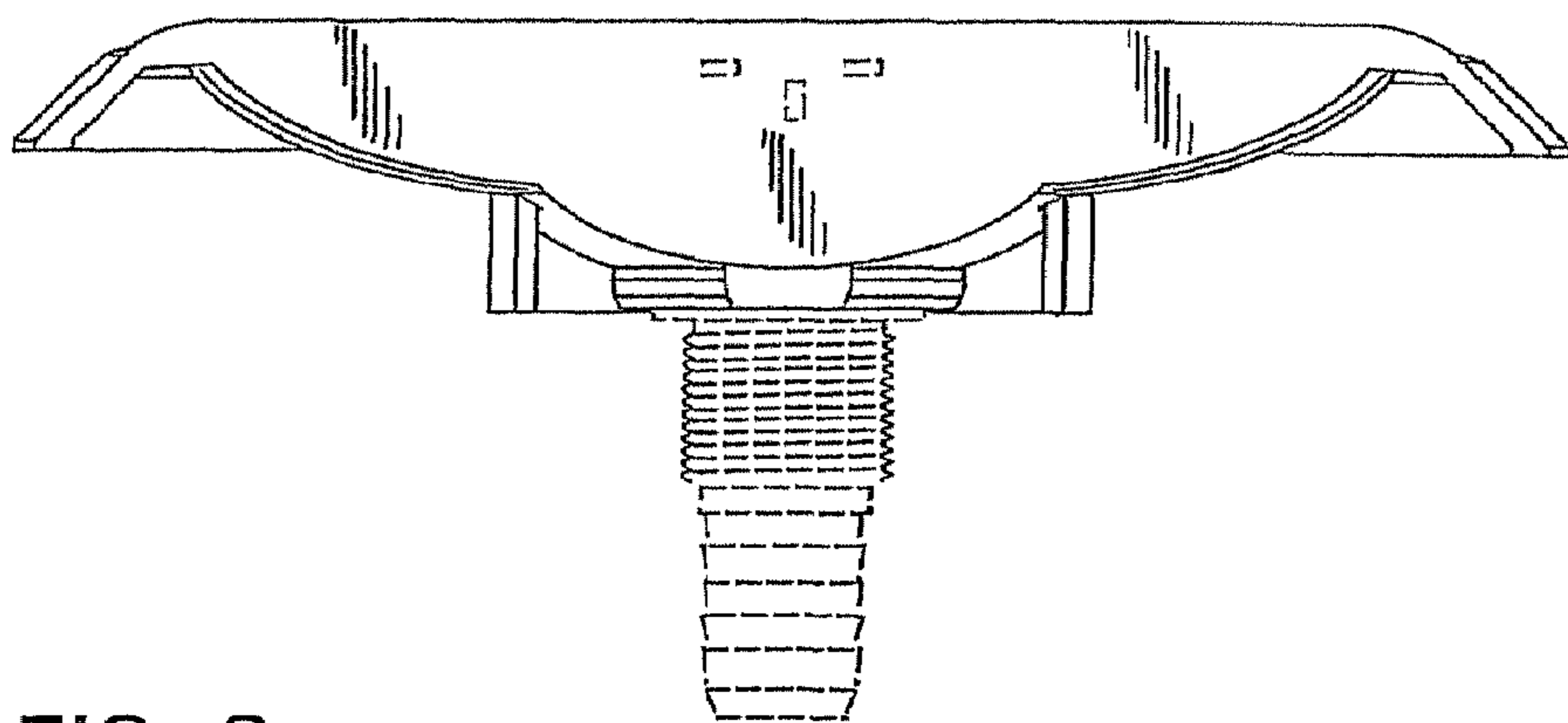


FIG. 3

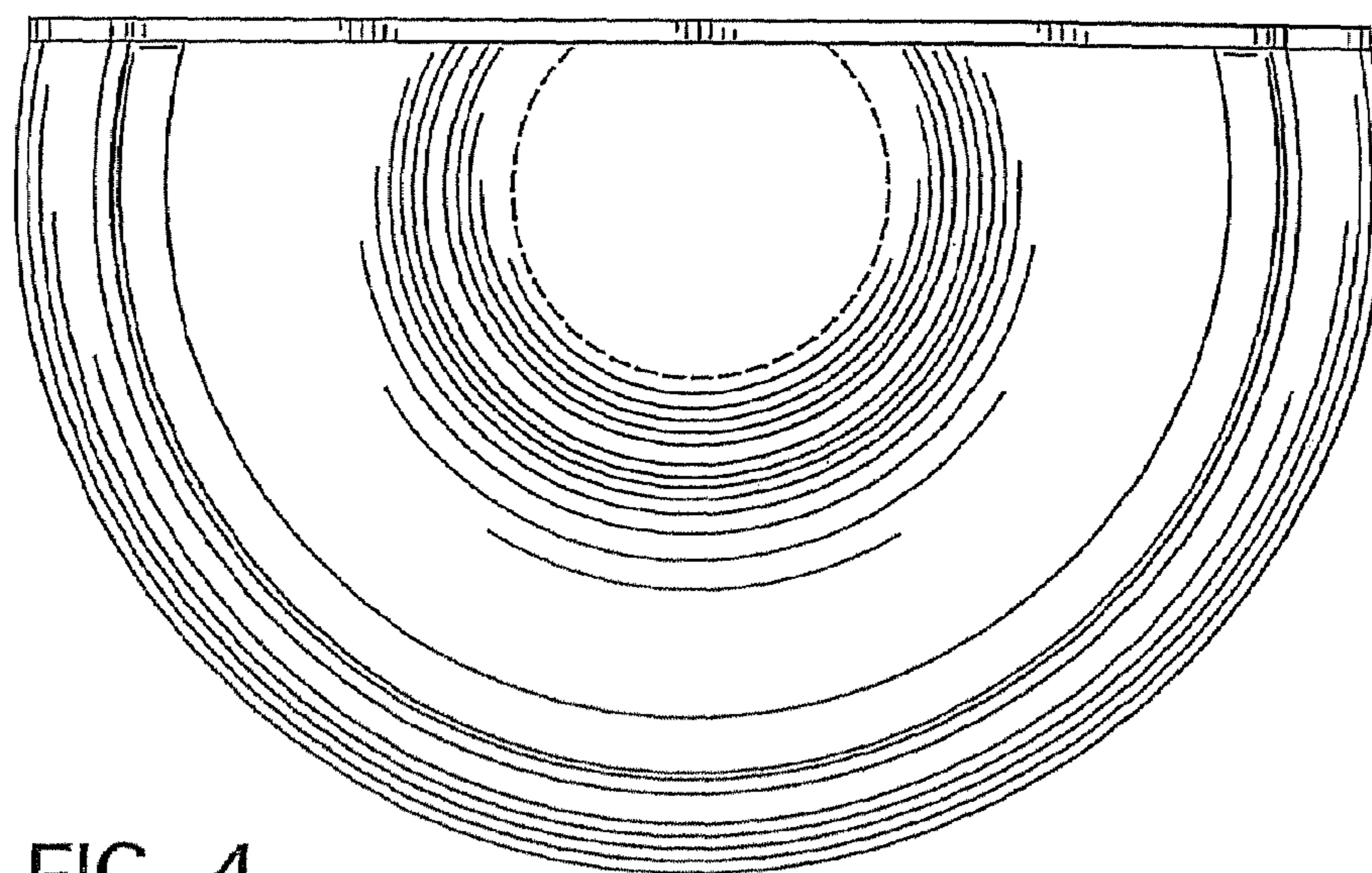


FIG. 4

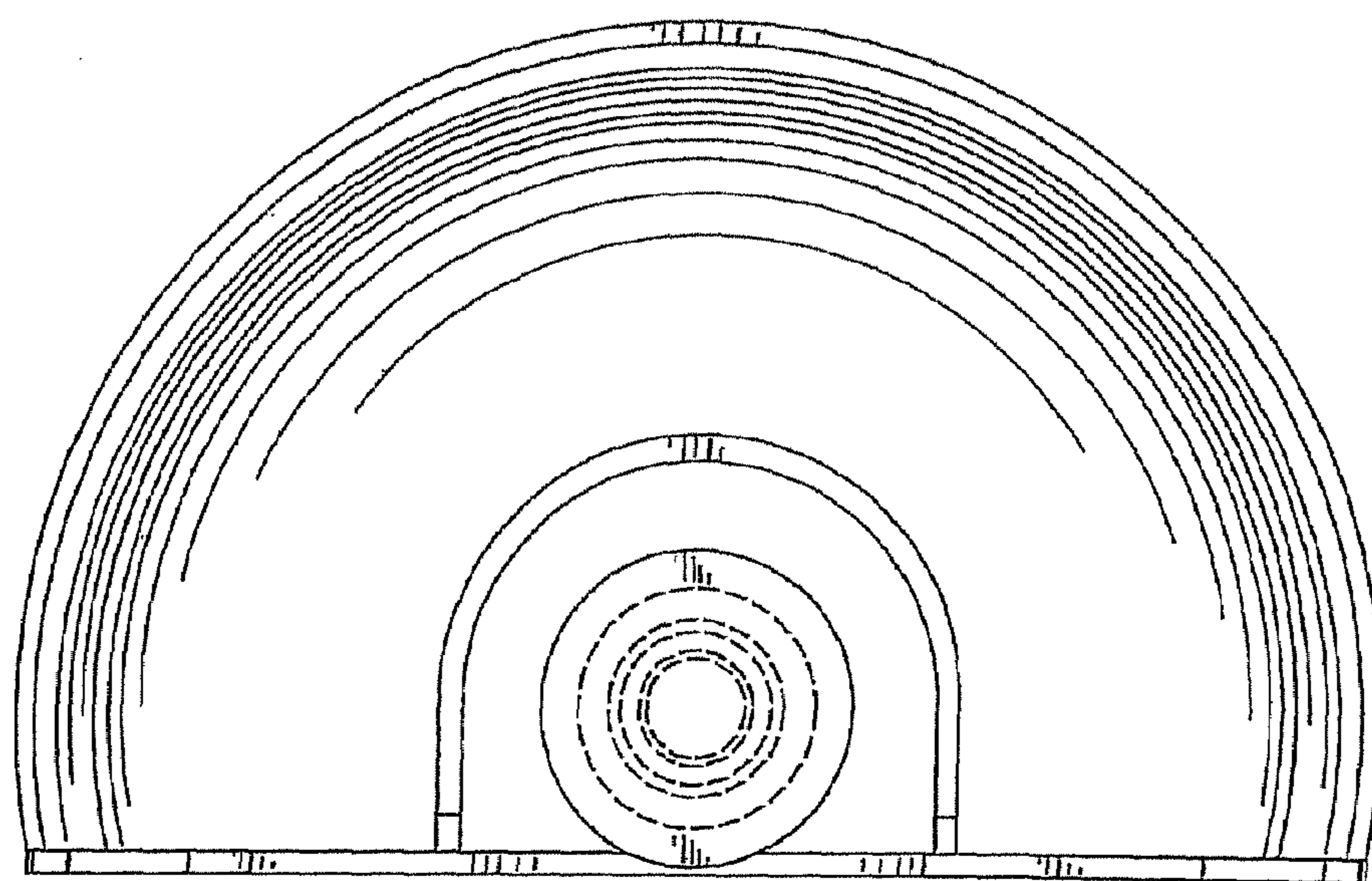


FIG. 5

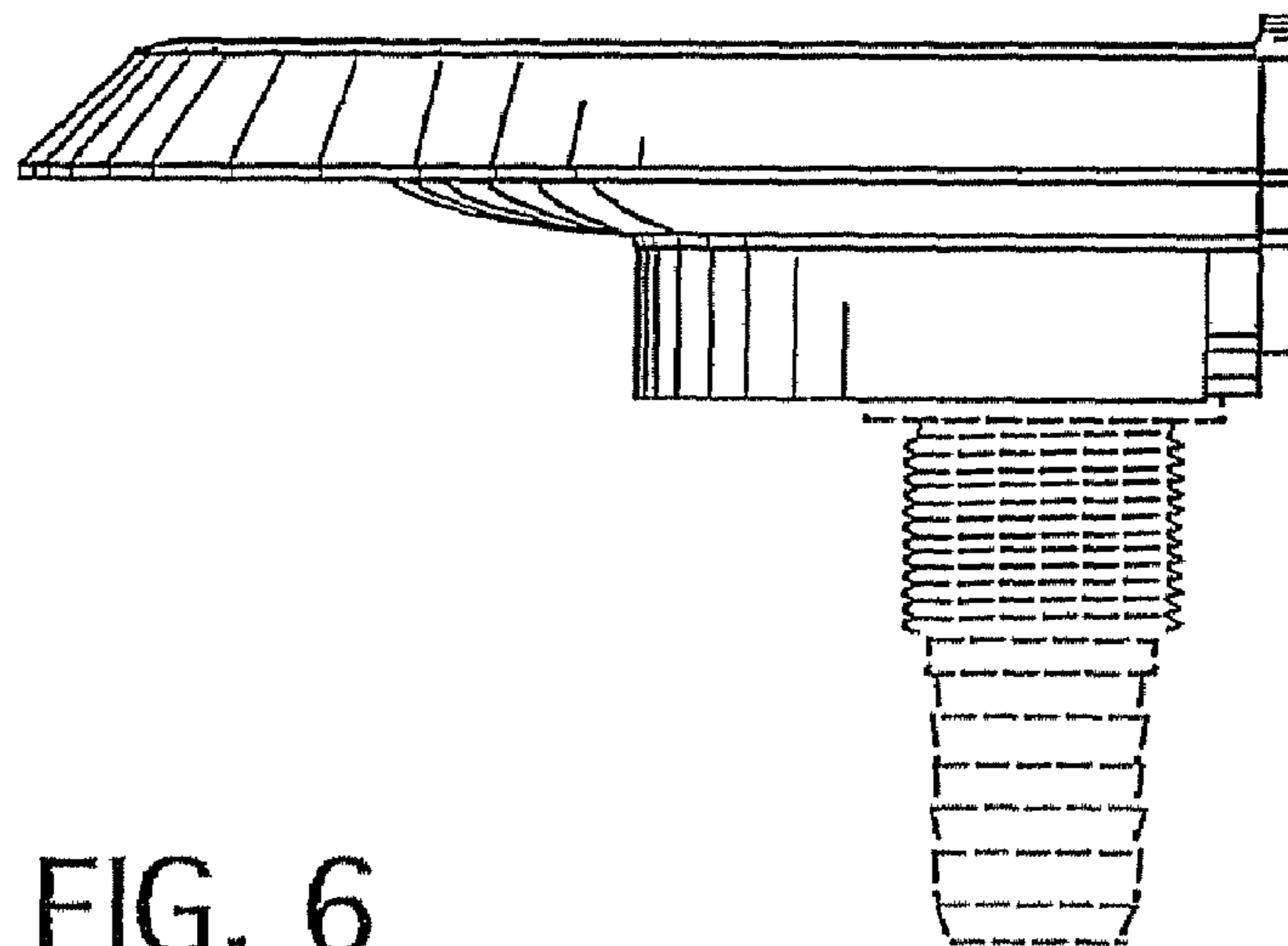


FIG. 6

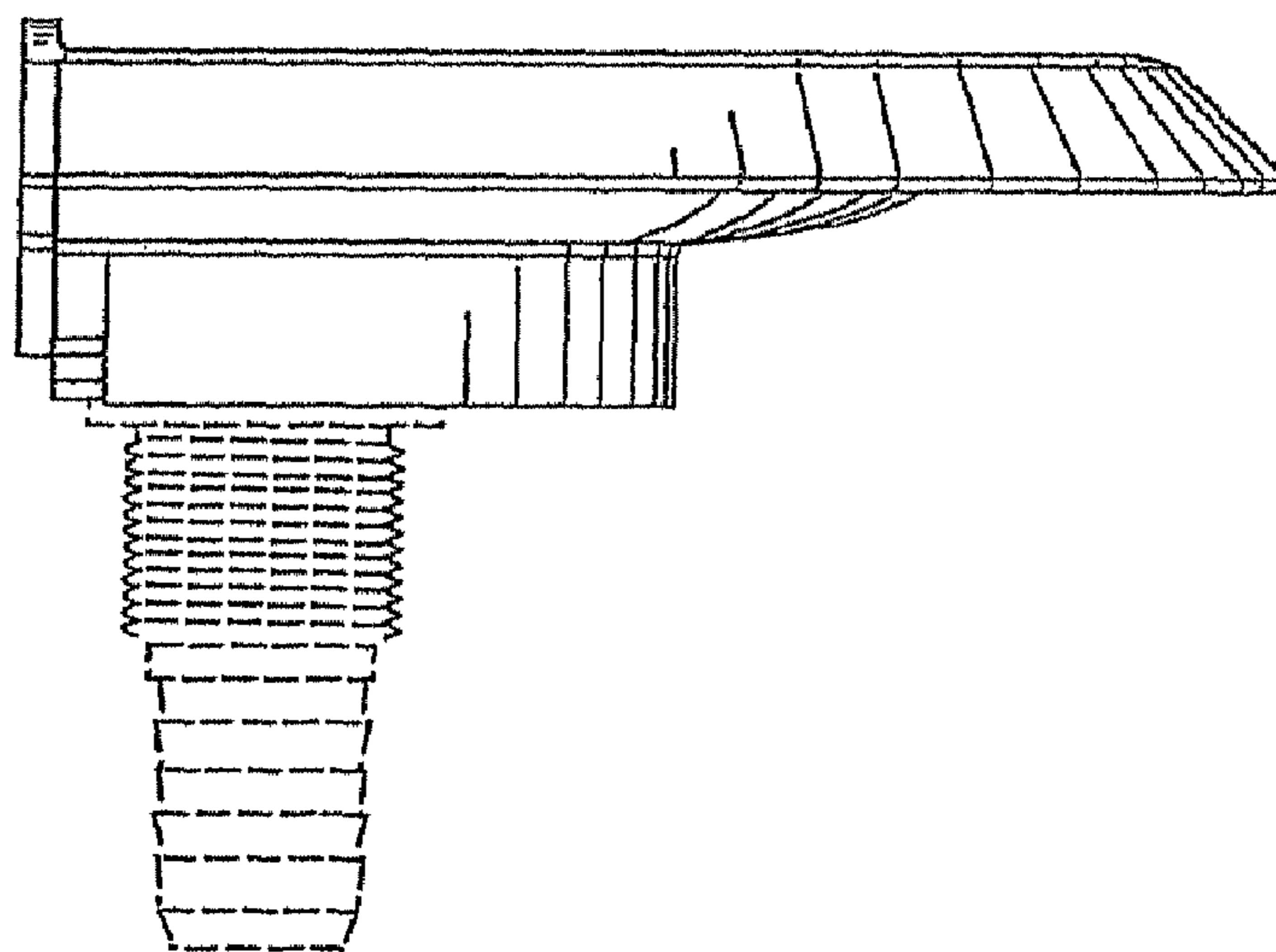


FIG. 7

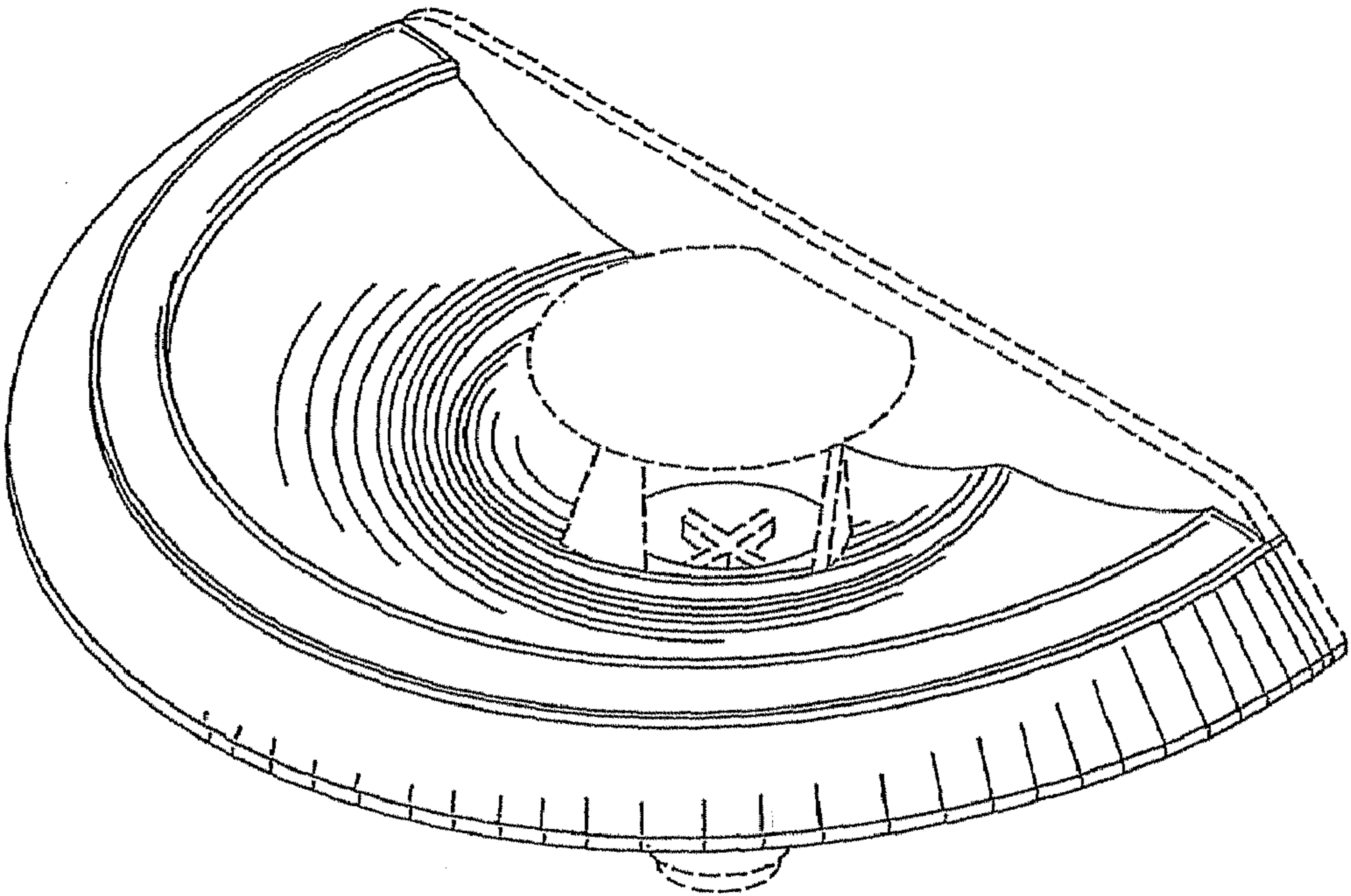


FIG. 8

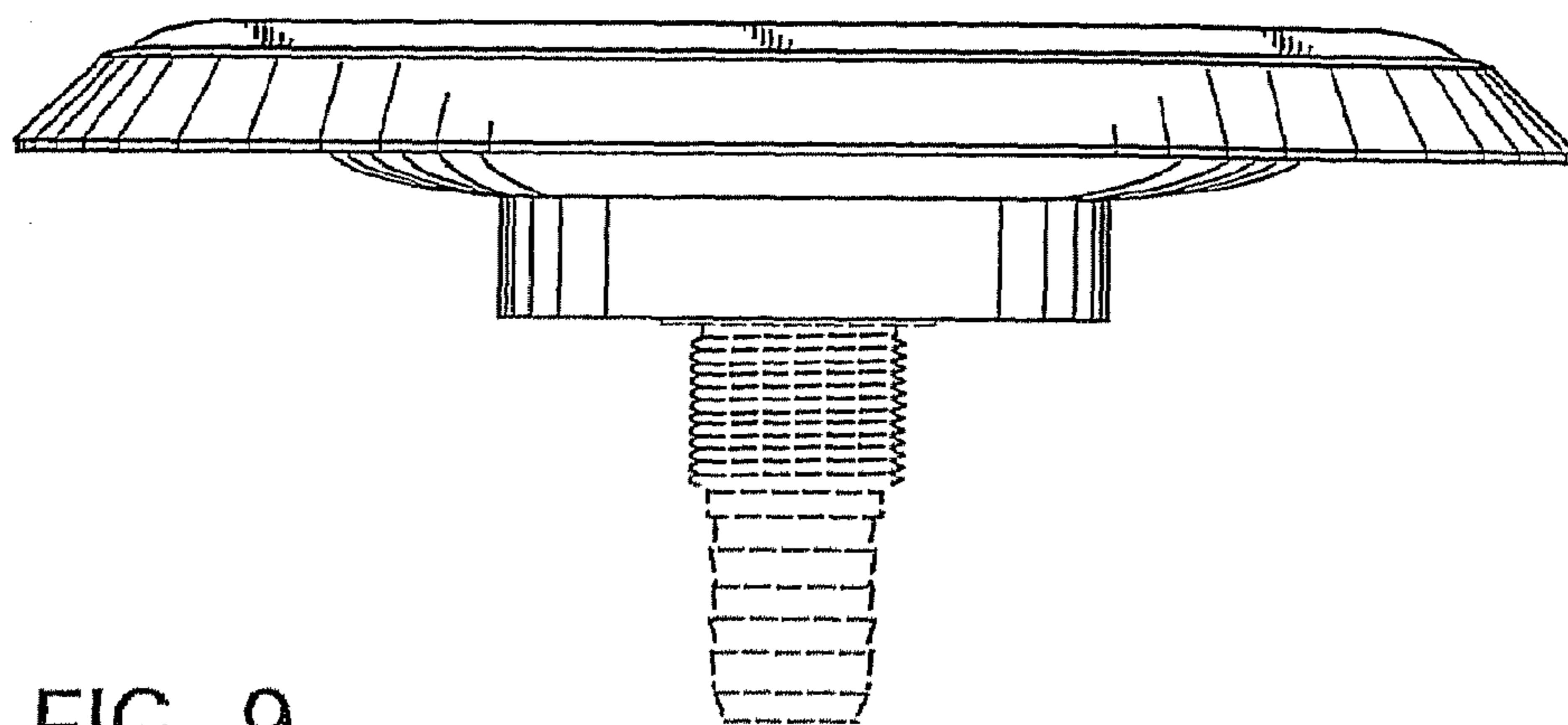


FIG. 9

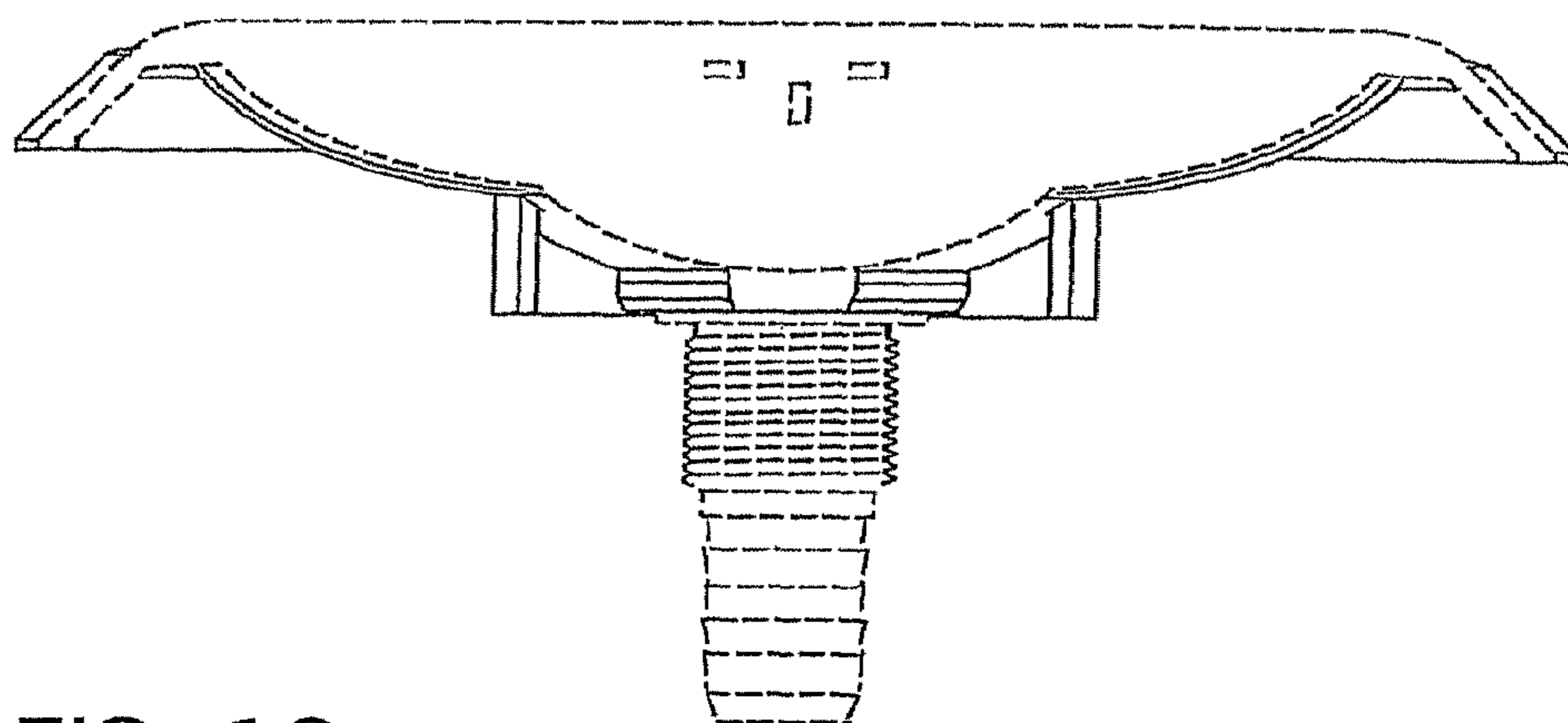


FIG. 10

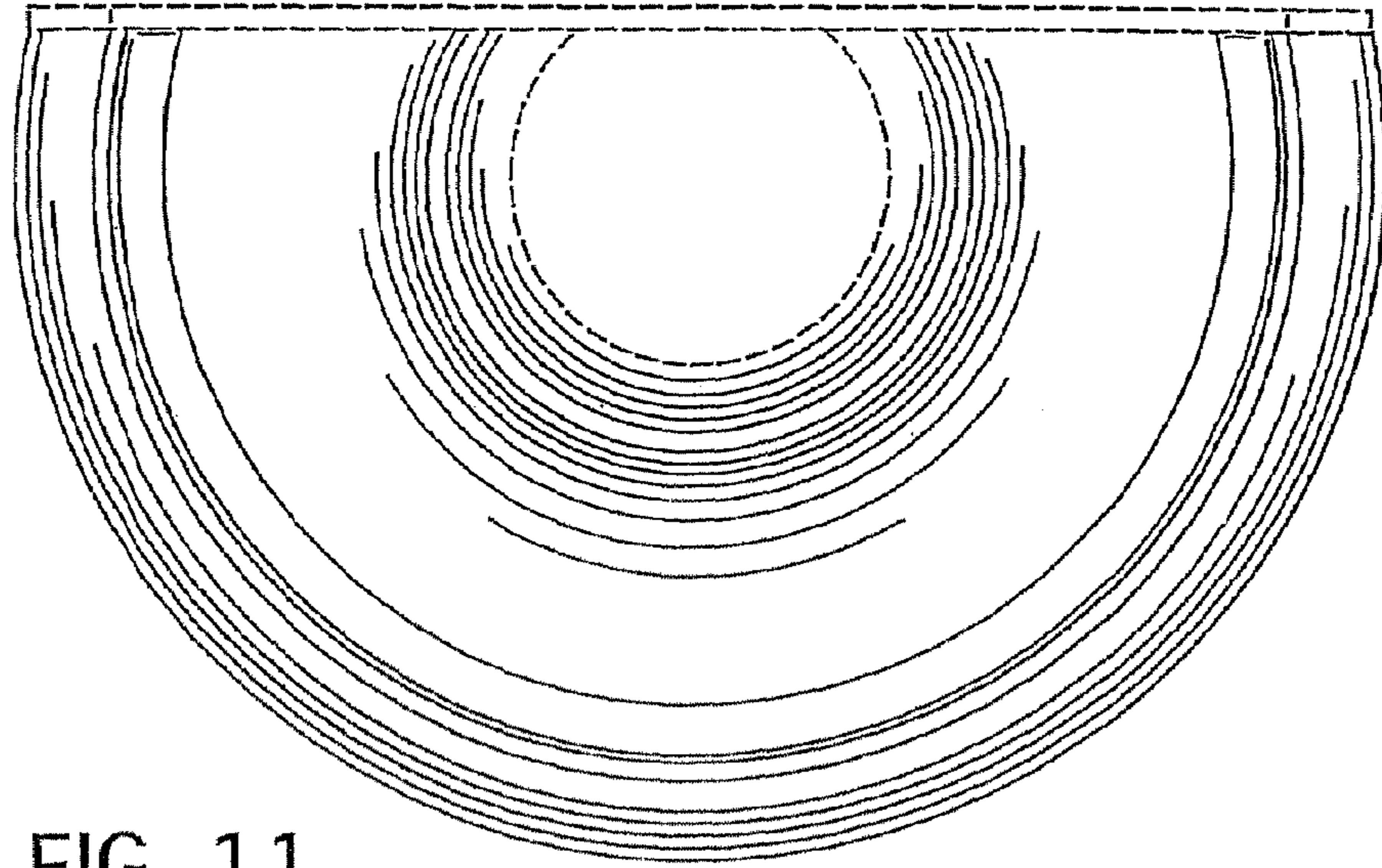


FIG. 11

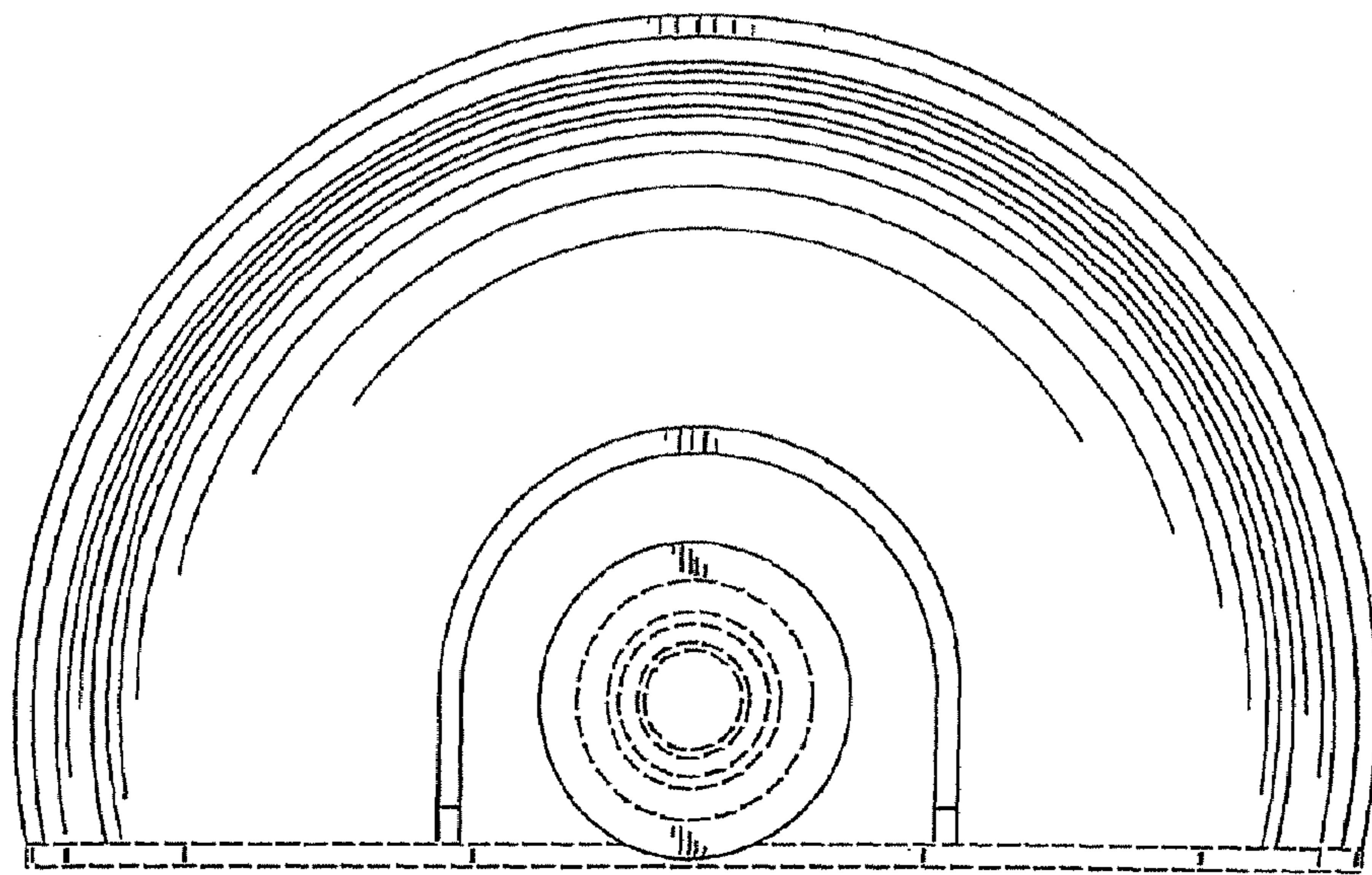


FIG. 12

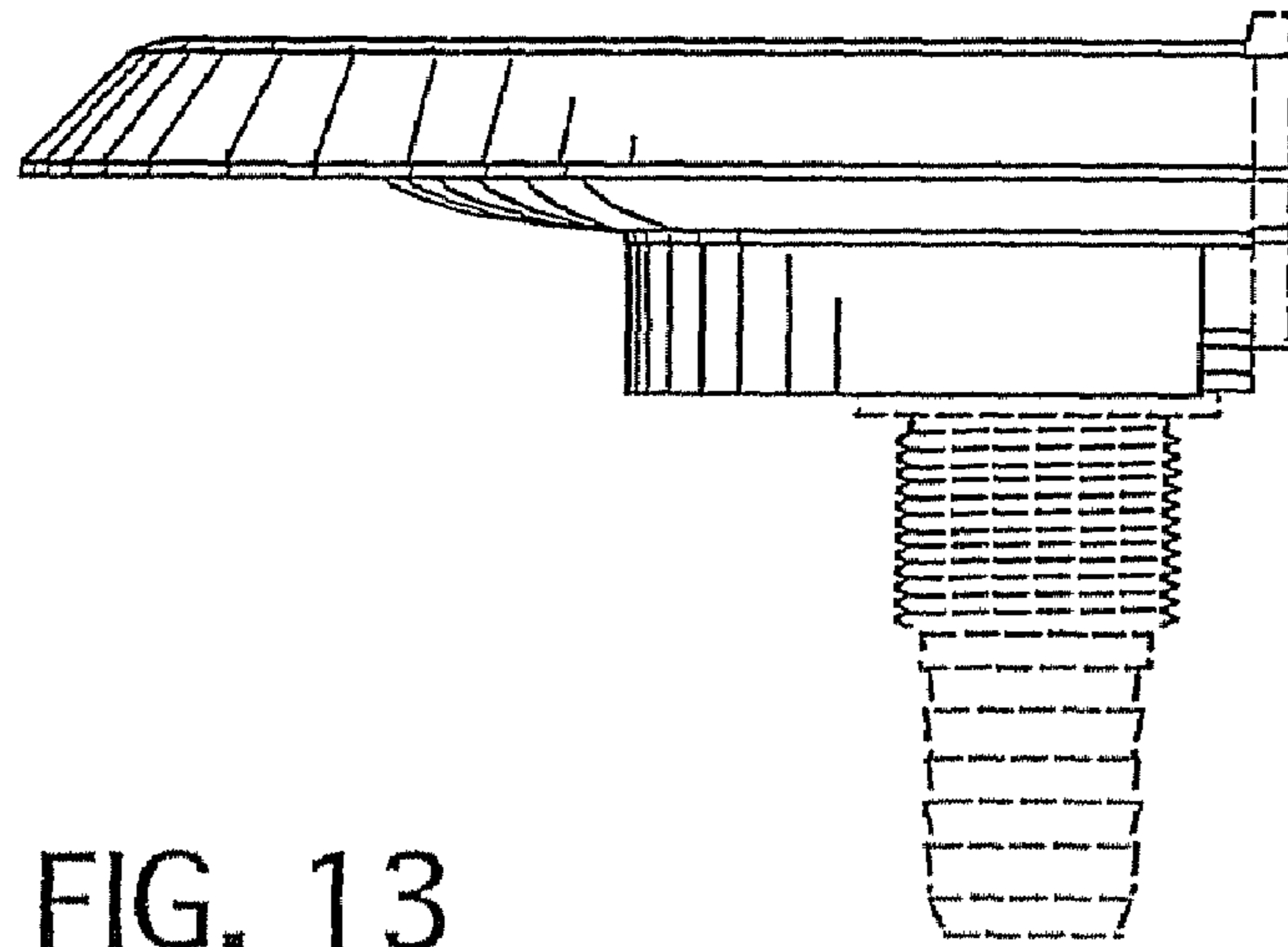


FIG. 13

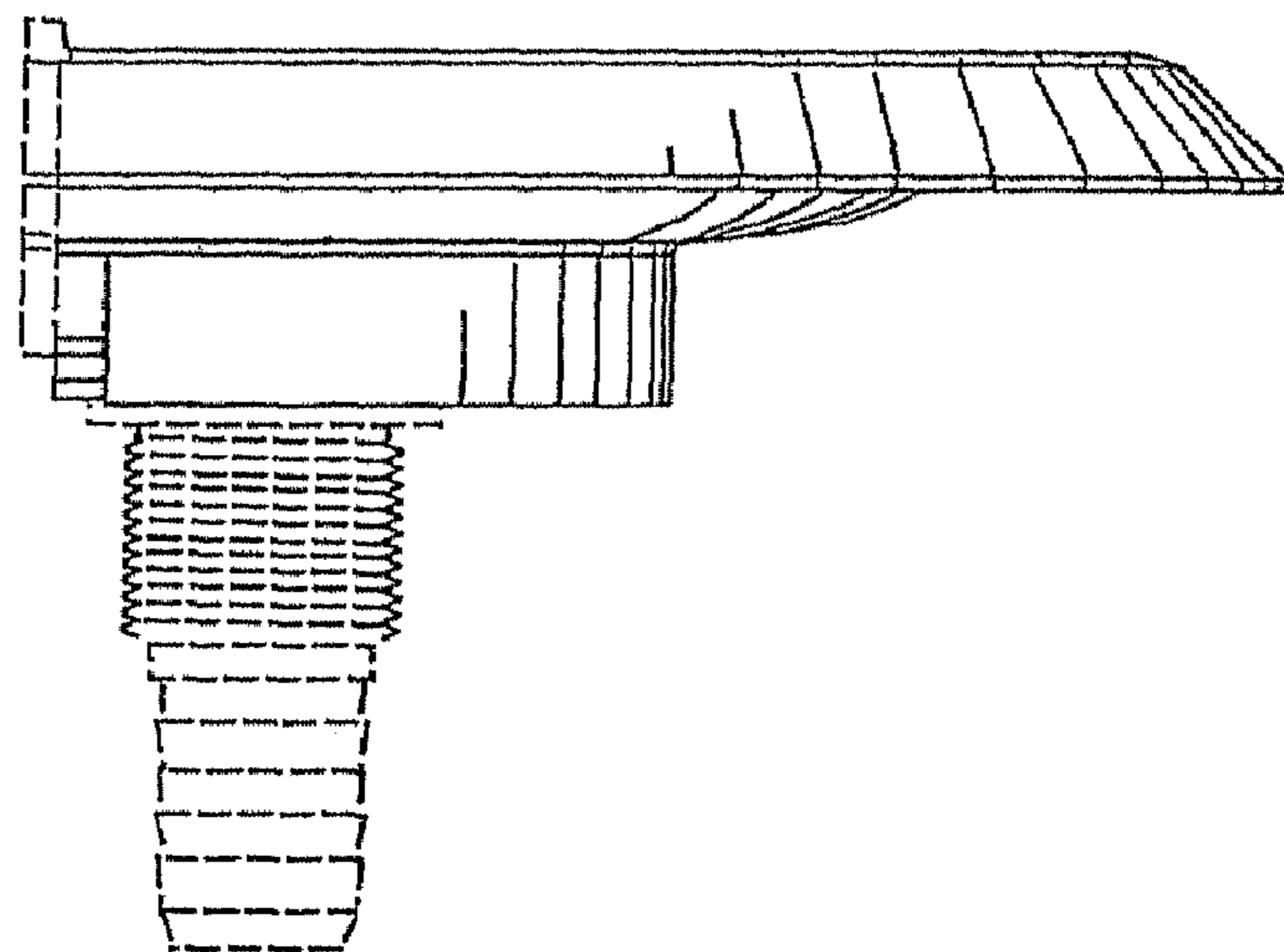


FIG. 14

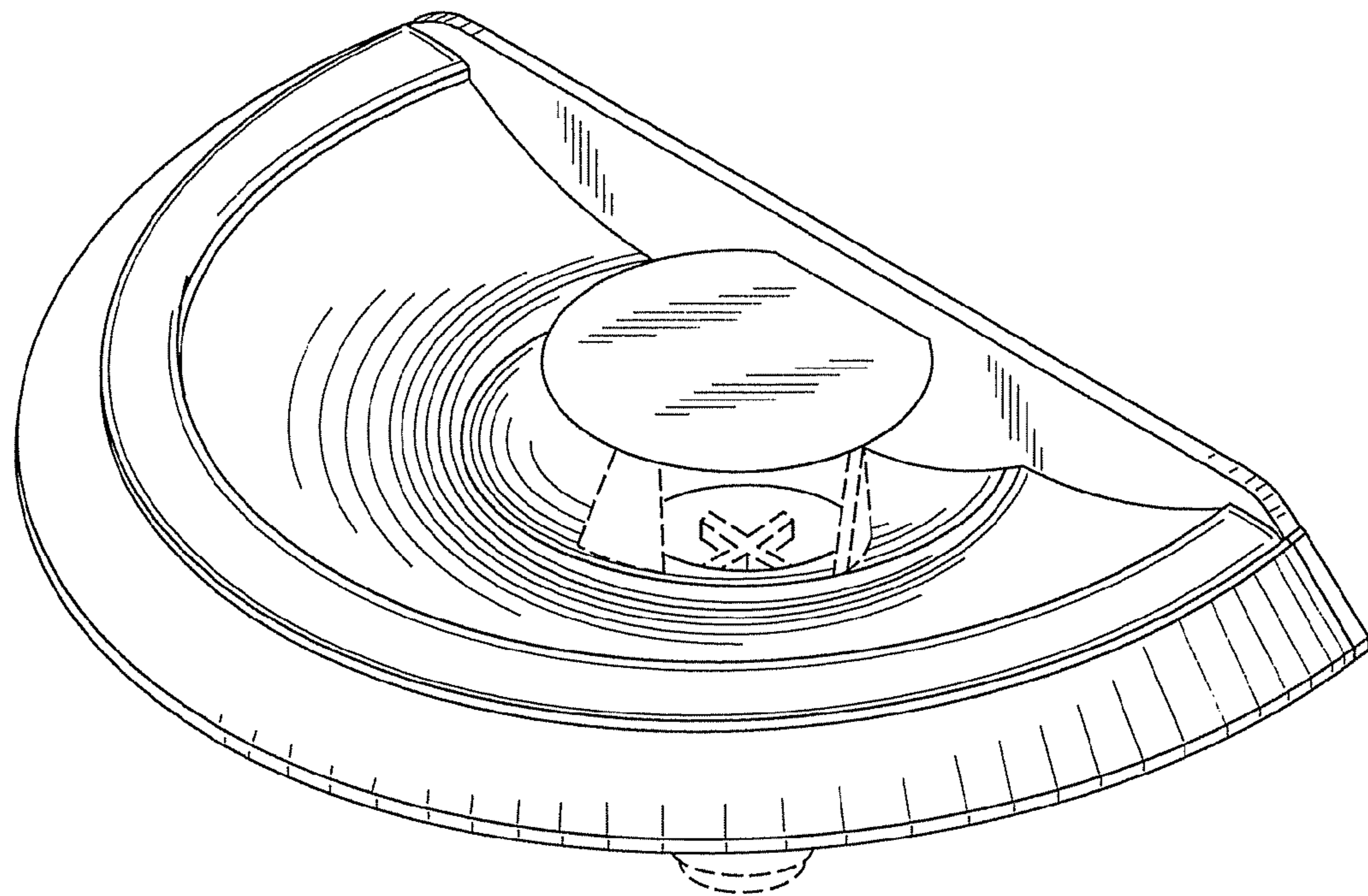


FIG. 15

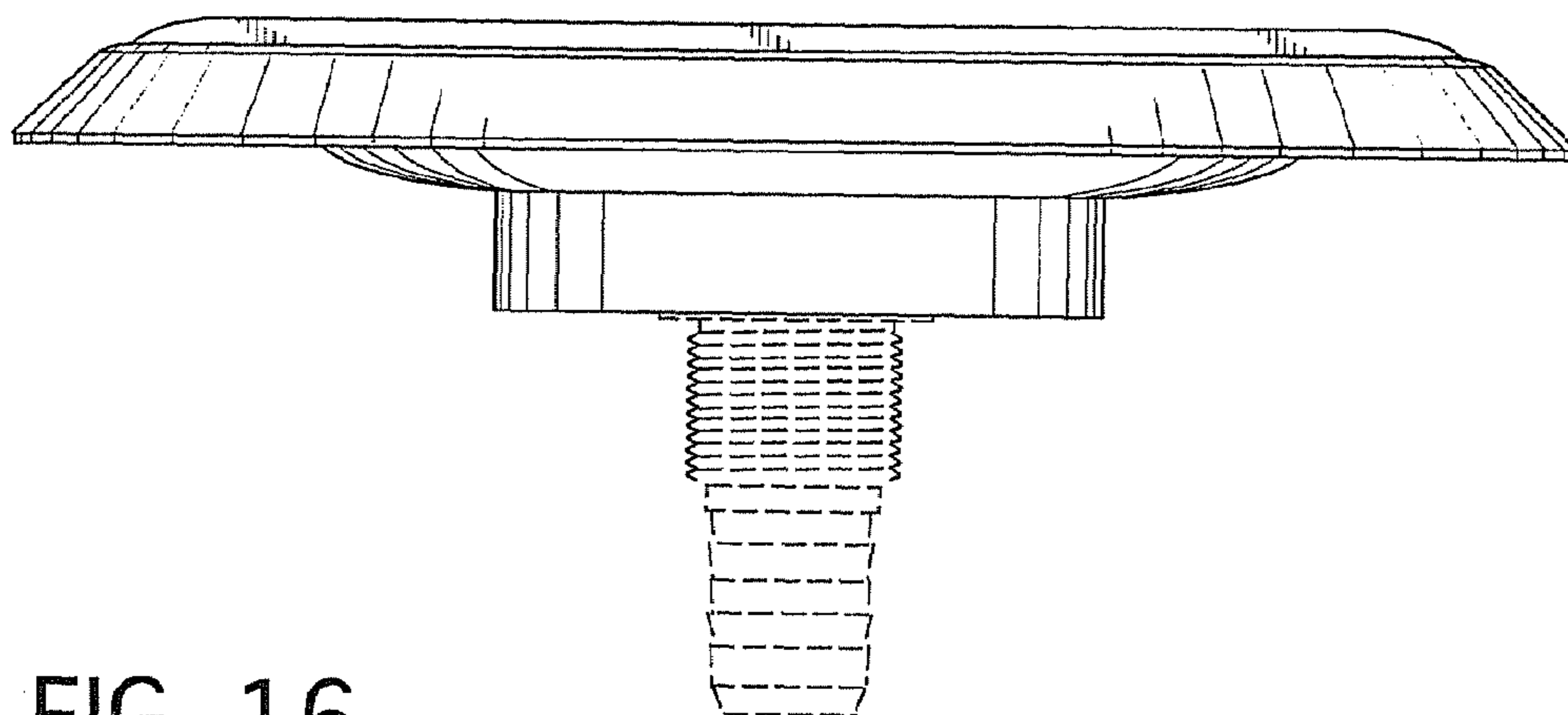


FIG. 16

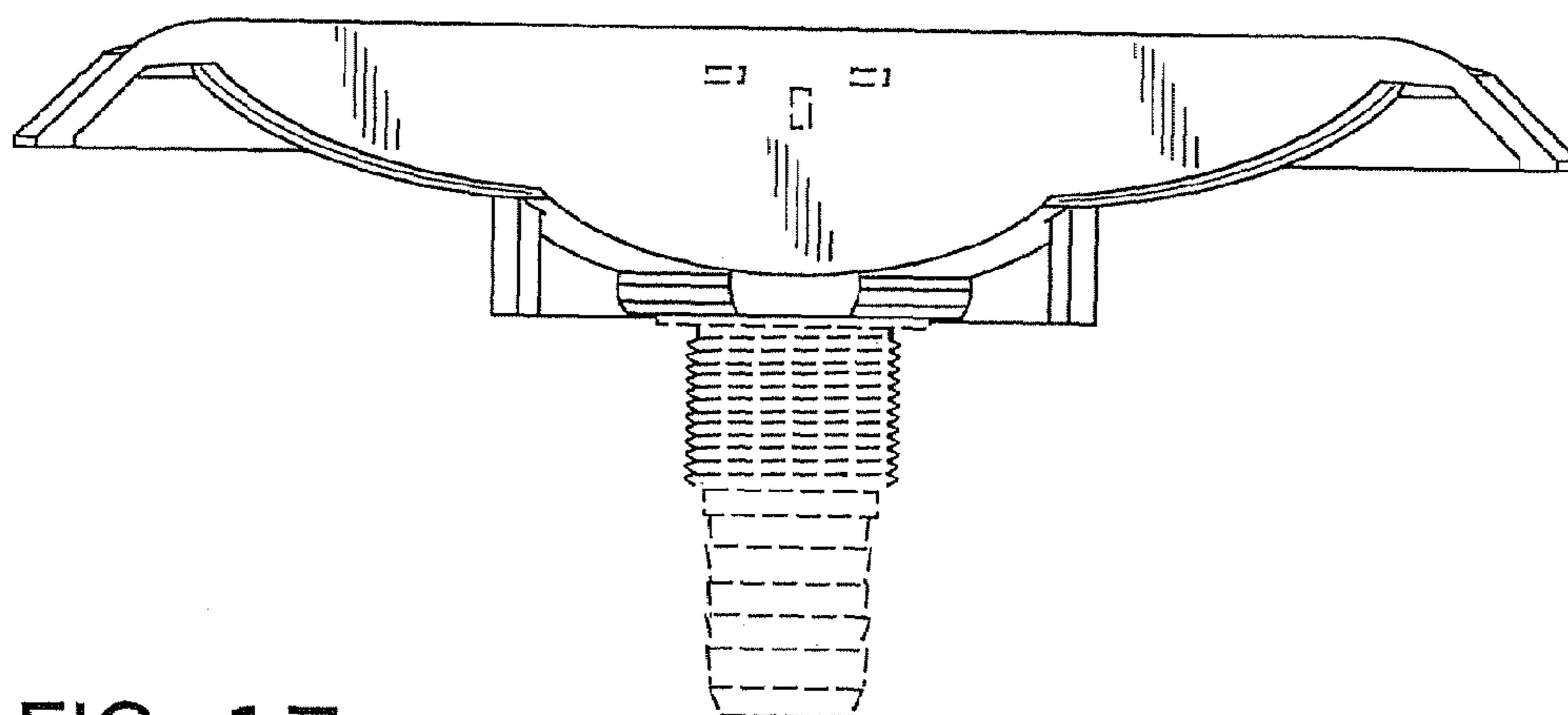


FIG. 17

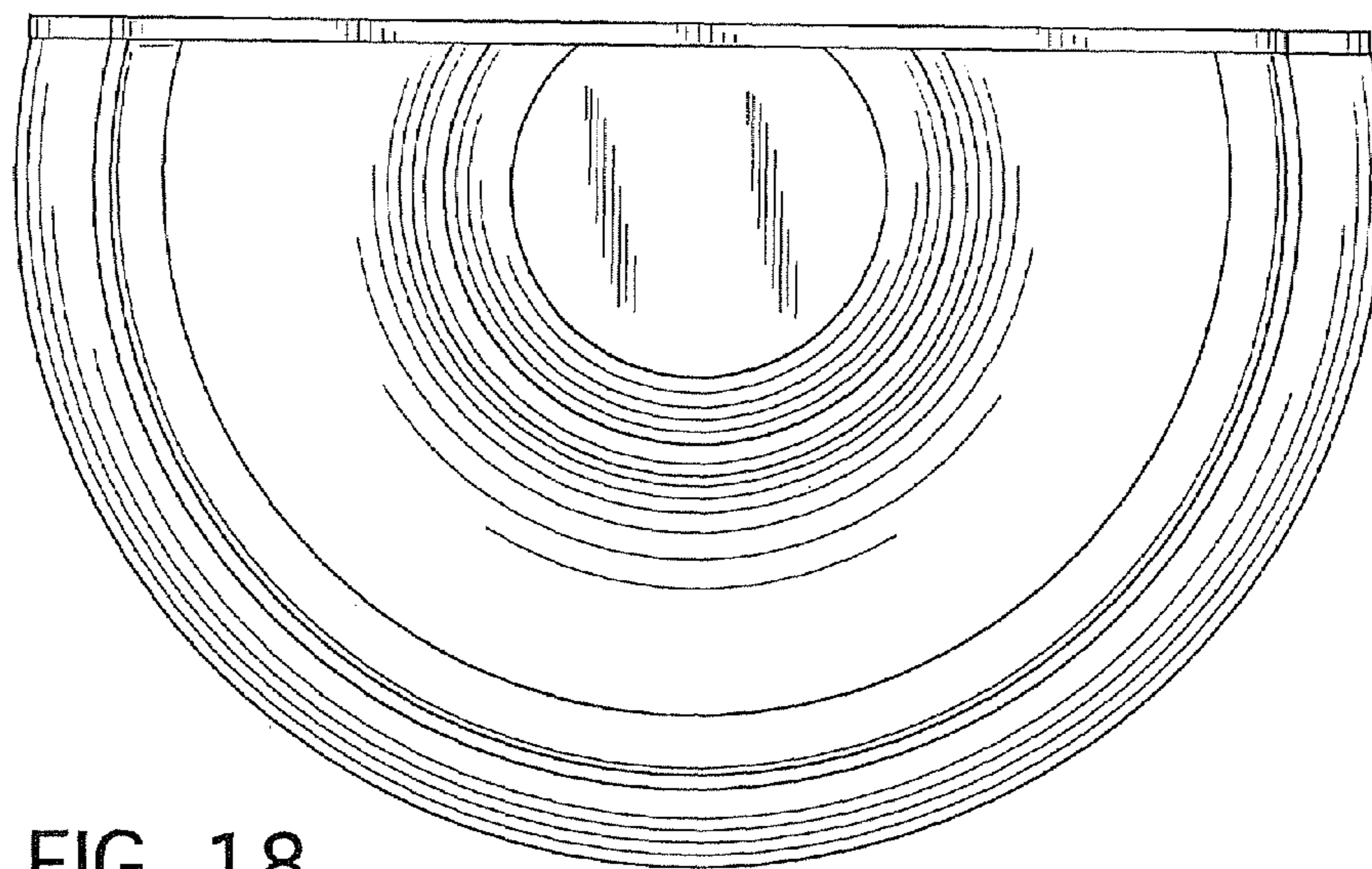


FIG. 18

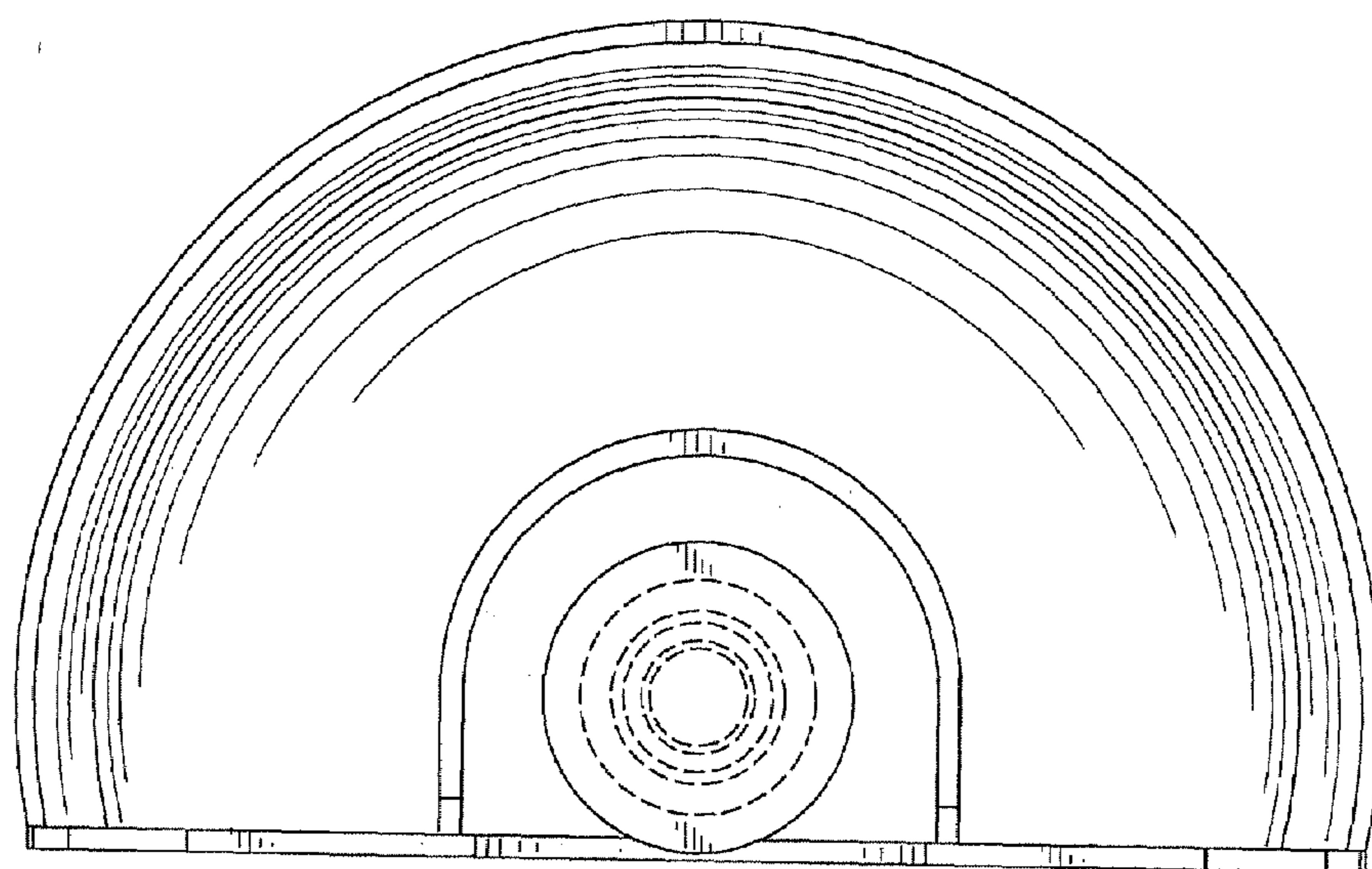


FIG. 19

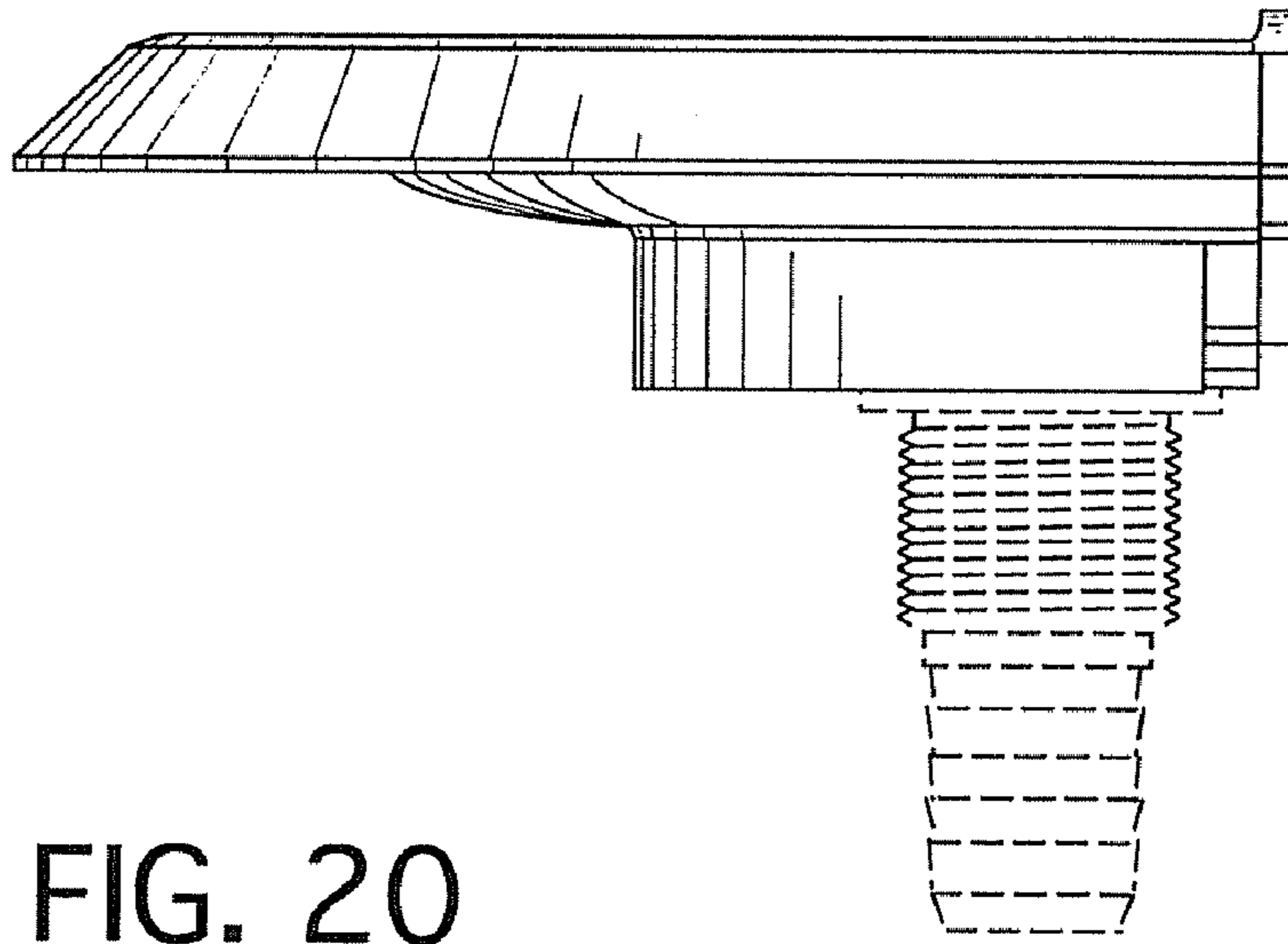


FIG. 20

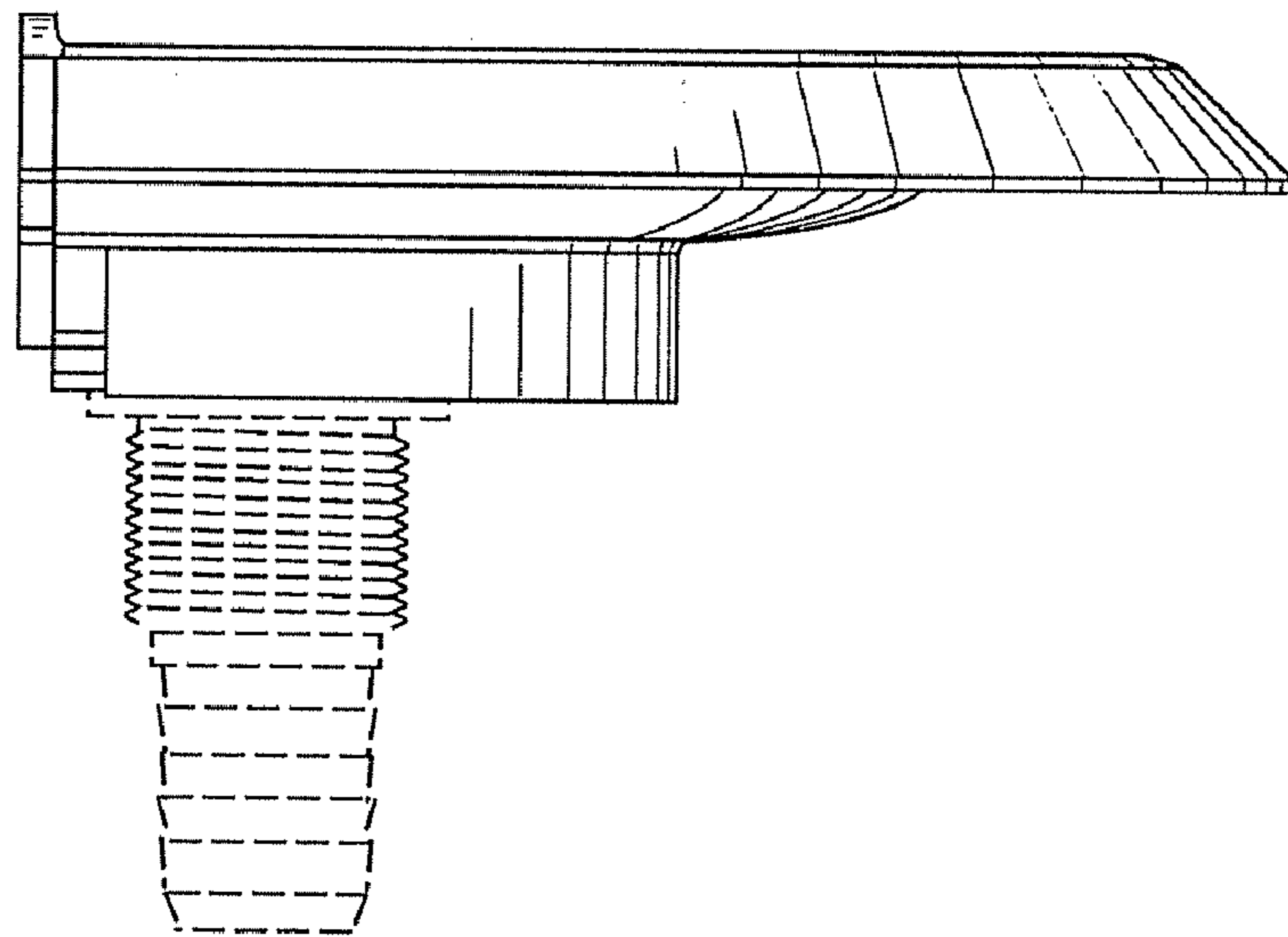


FIG. 21