



US00D588670S

(12) **United States Design Patent**
Walz

(10) **Patent No.:** **US D588,670 S**
(45) **Date of Patent:** **** Mar. 17, 2009**

(54) **COMBINED GOLF BALL MARKER AND HOLDER**

Primary Examiner—Mitchell I Siegel

(75) Inventor: **Mary D. Walz**, 1634 Quail Ave., Sunnyvale, CA (US) 94087

(57) **CLAIM**

The ornamental design for a combined golf ball marker and holder, as shown and described.

(73) Assignee: **Mary D. Walz**, Sunnyvale, CA (US)

(**) Term: **14 Years**

DESCRIPTION

(21) Appl. No.: **29/294,956**

FIG. 1 is a perspective view of a combined golf ball marker and holder showing my design;

(22) Filed: **Feb. 4, 2008**

FIG. 2 is a top plan view thereof;

(51) **LOC (9) Cl.** **21-02**

FIG. 3 is a bottom plan view thereof;

(52) **U.S. Cl.** **D21/794; D21/796**

FIG. 4 is a right side elevation view thereof;

(58) **Field of Classification Search** D21/789, D21/793–794, 796; 473/285, 406
See application file for complete search history.

FIG. 5 is a left side elevation view thereof;

FIG. 6 is a front elevation view thereof;

FIG. 7 is a rear elevation view thereof; and,

(56) **References Cited**

U.S. PATENT DOCUMENTS

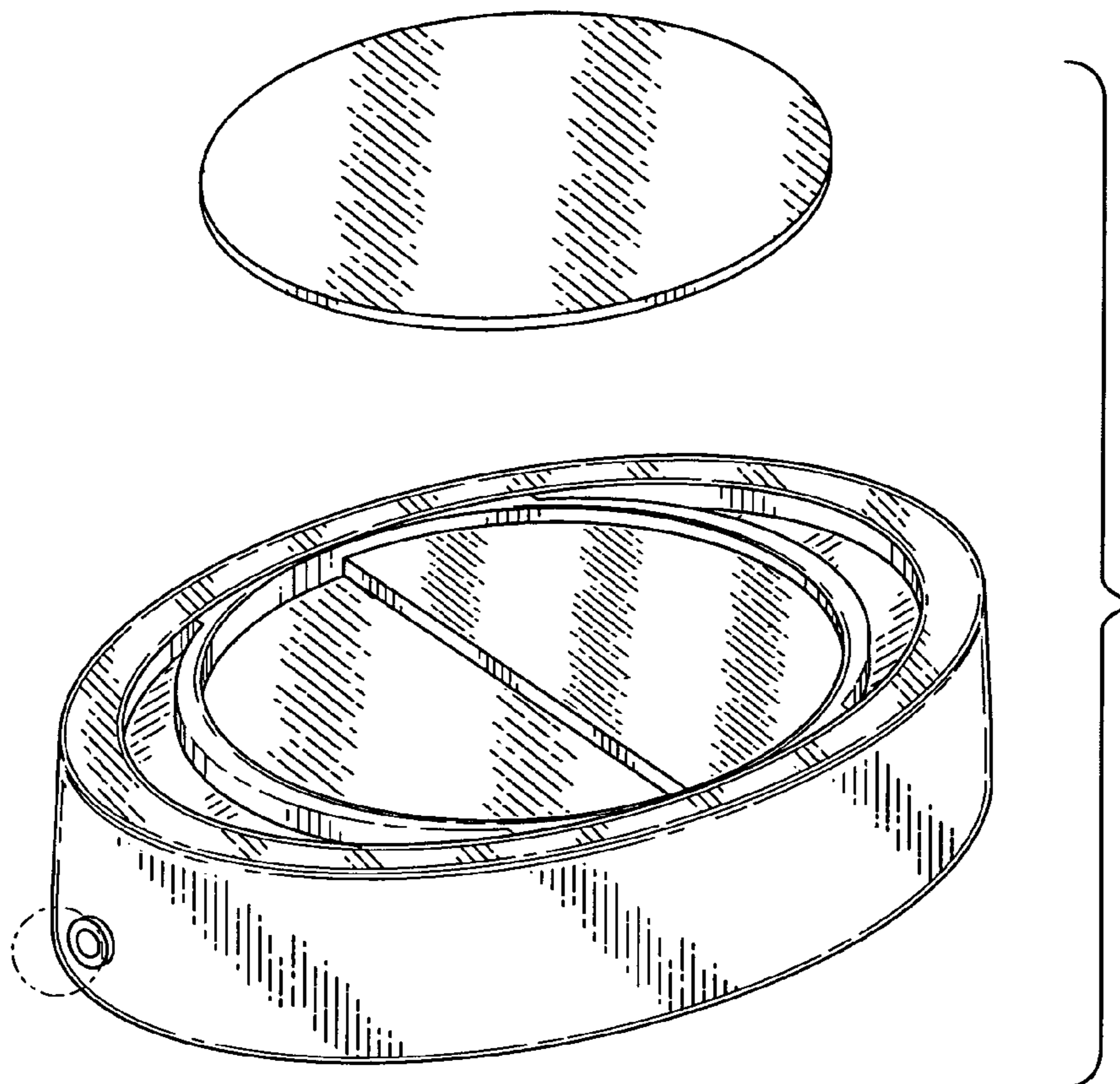
D266,445 S *	10/1982	Yokotaki	D21/718
D350,179 S *	8/1994	Johnson	D21/794
6,966,851 B1 *	11/2005	England et al.	473/406
D540,902 S *	4/2007	Regalado	D21/794

FIG. 8 is a perspective view with the golf ball marker removed from the holder for clarity.

The broken lines showing a tether cord stop and a spring clip are for illustrative purposes and form no part of the claimed design.

* cited by examiner

1 Claim, 5 Drawing Sheets



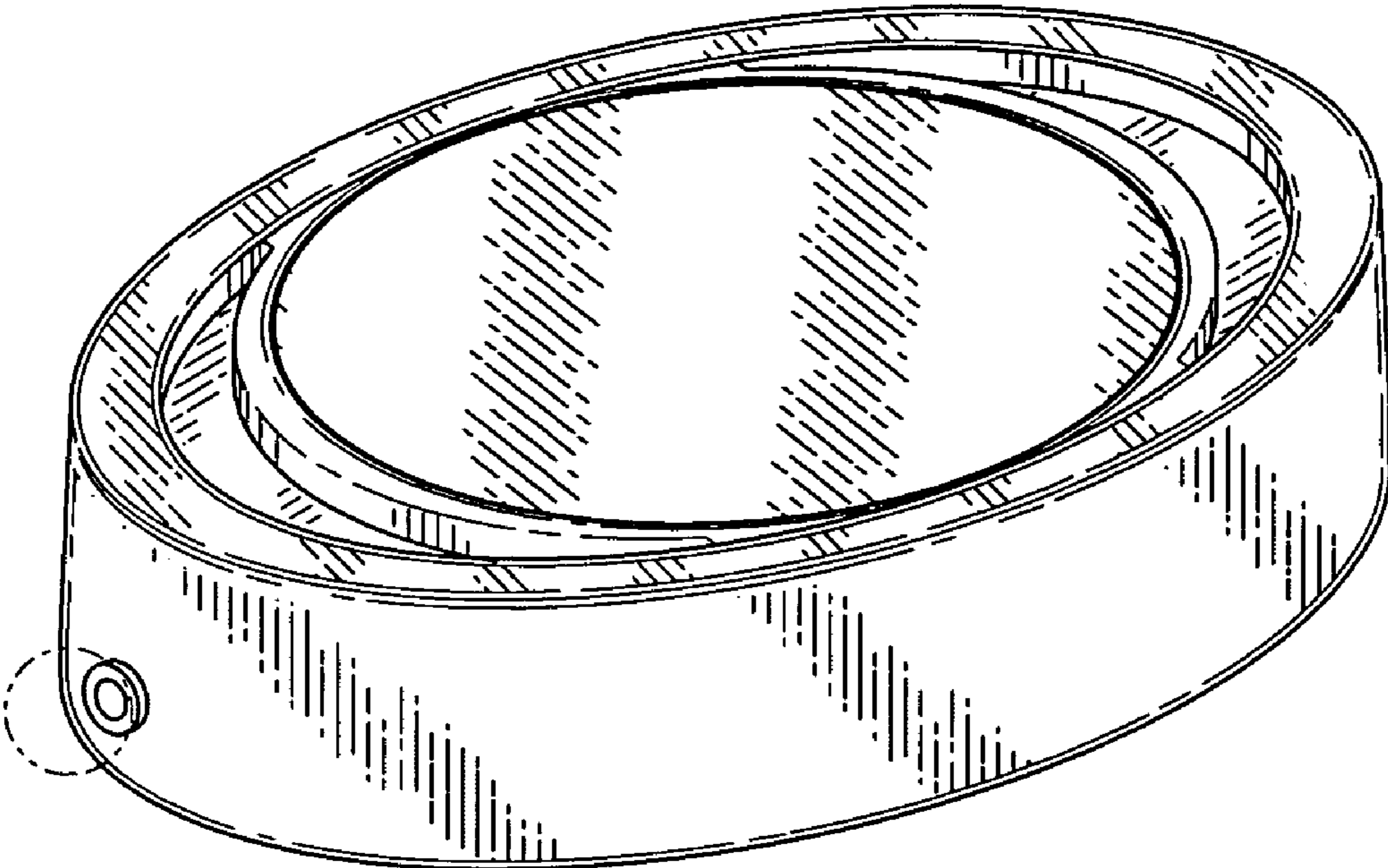


FIG. 1

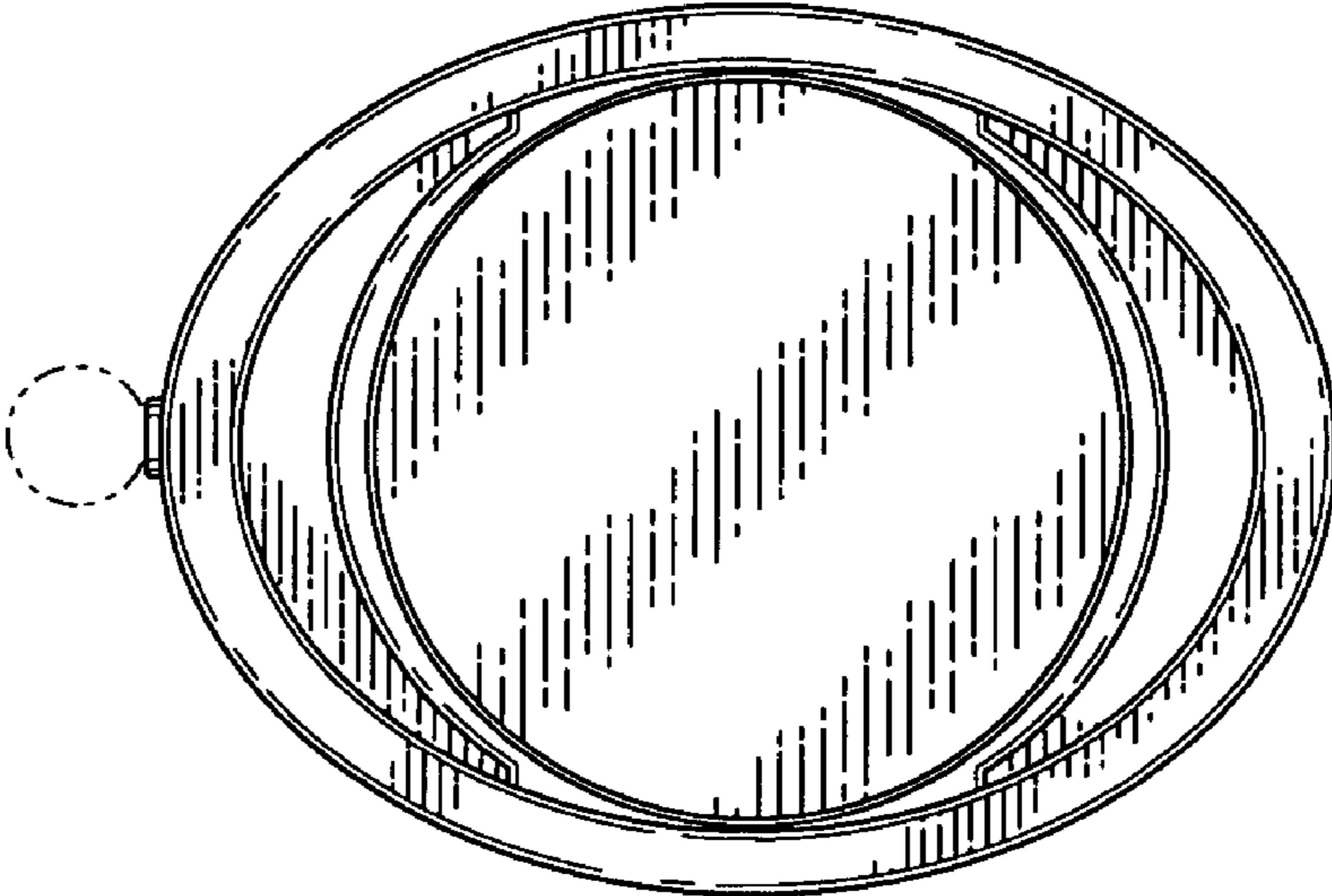


FIG. 2

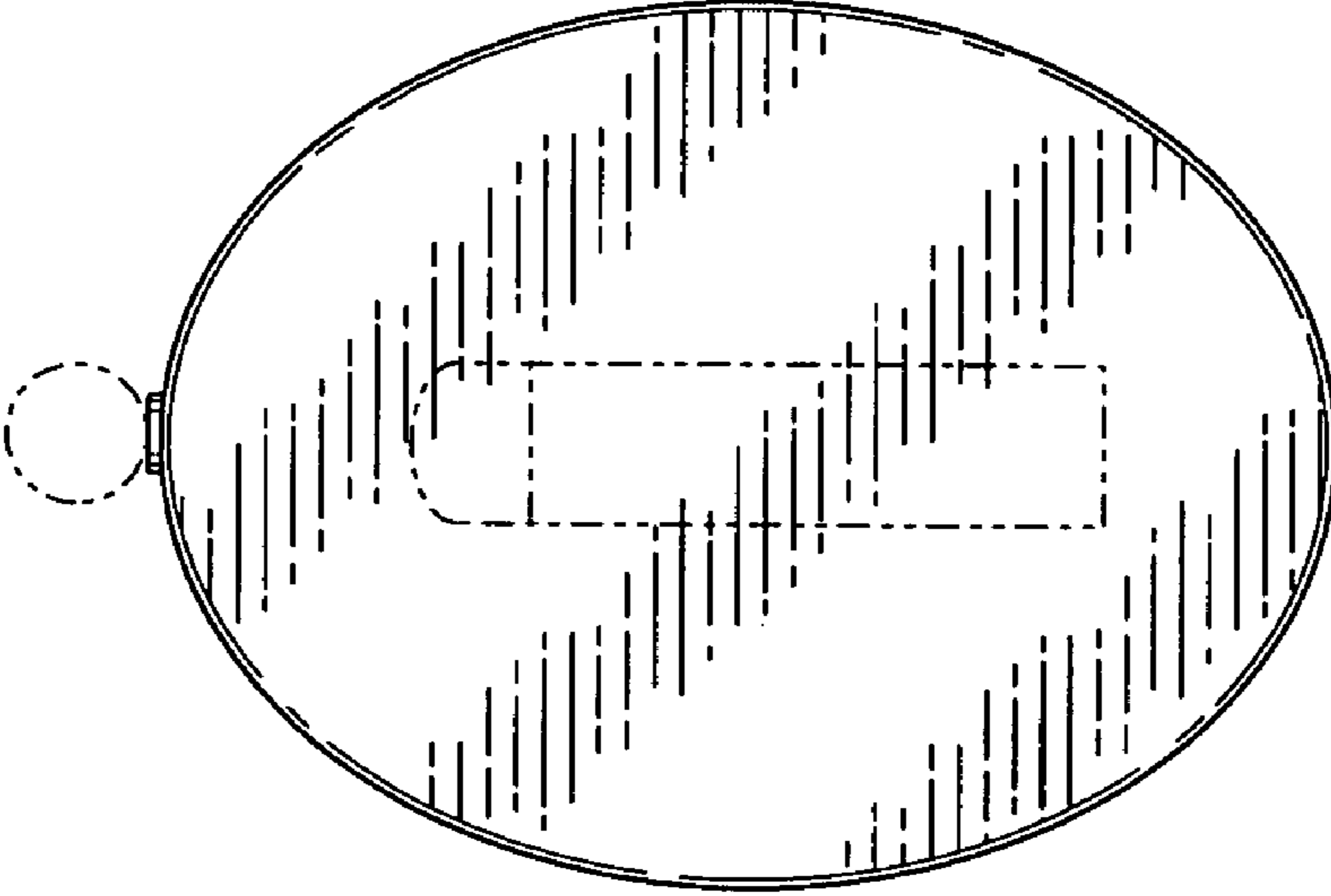


FIG. 3

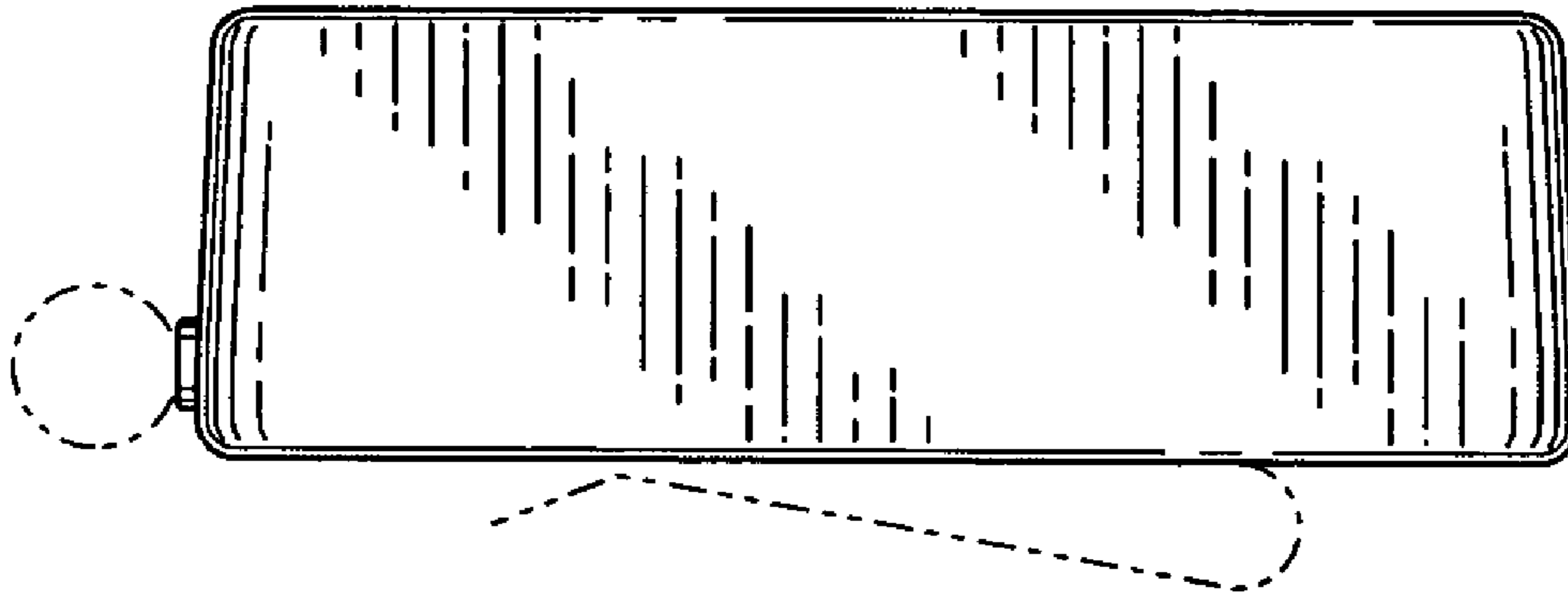


FIG. 4

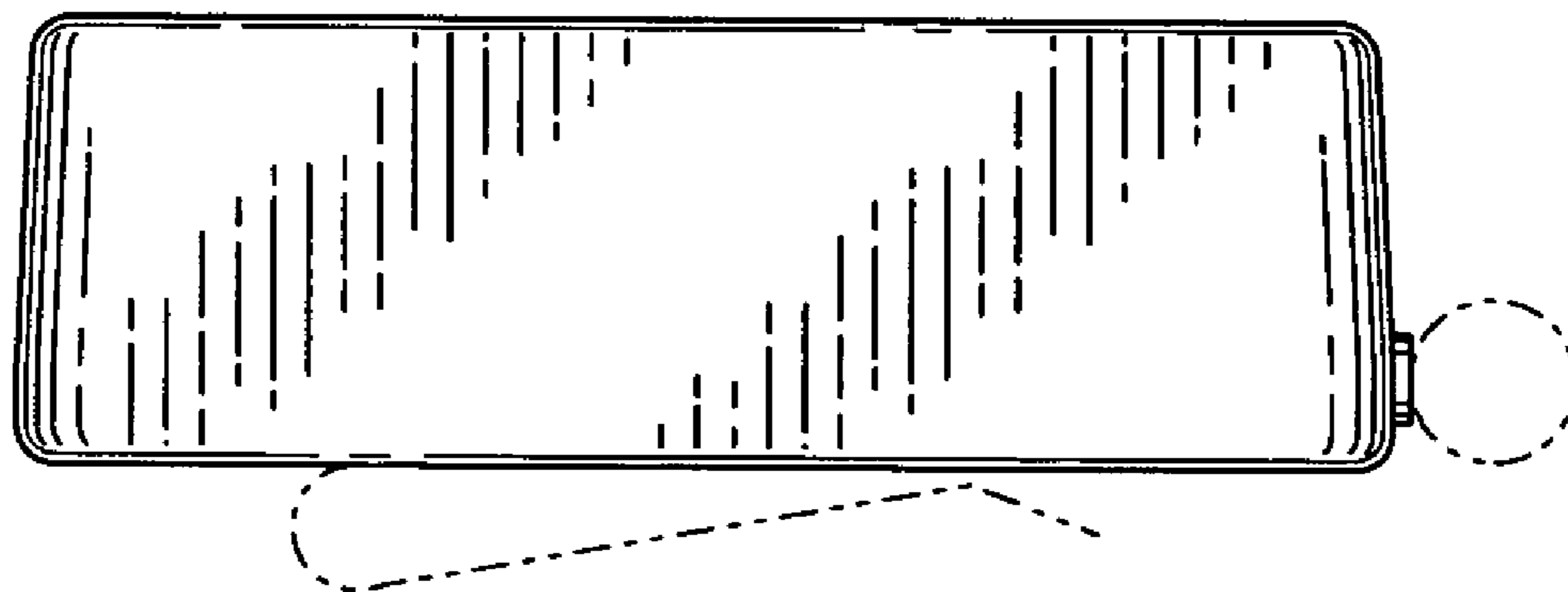


FIG. 5

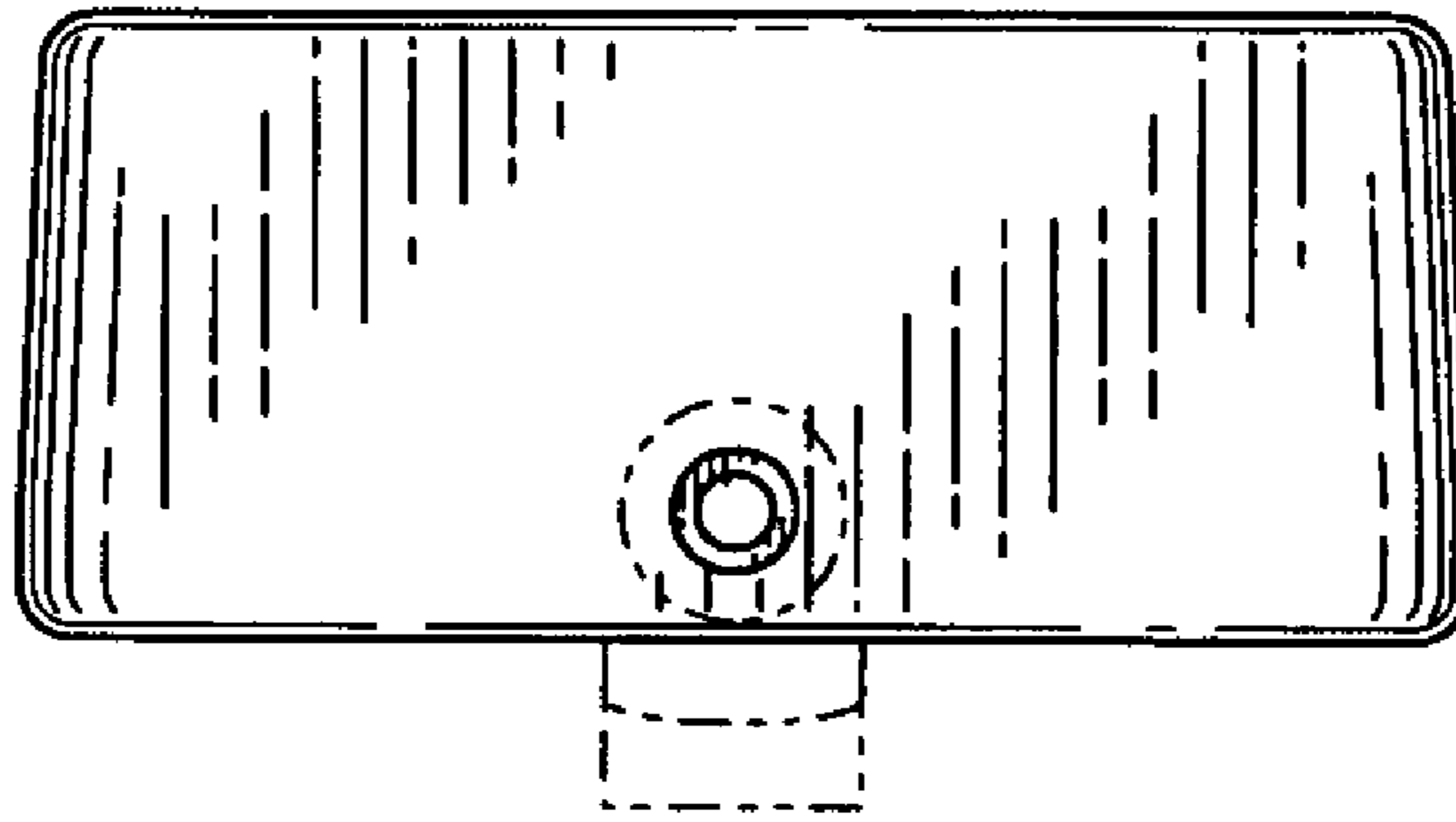


FIG. 6

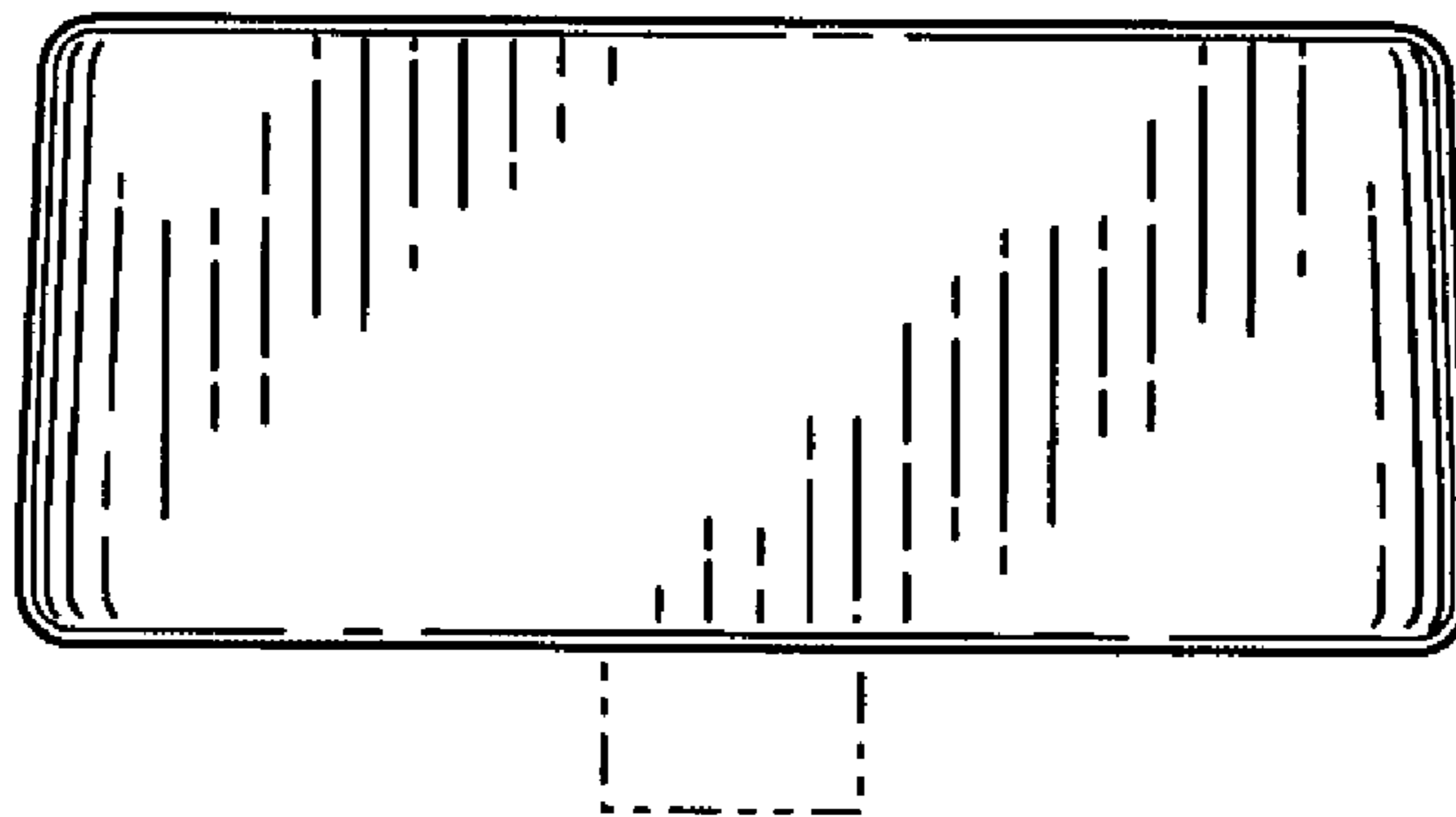


FIG. 7

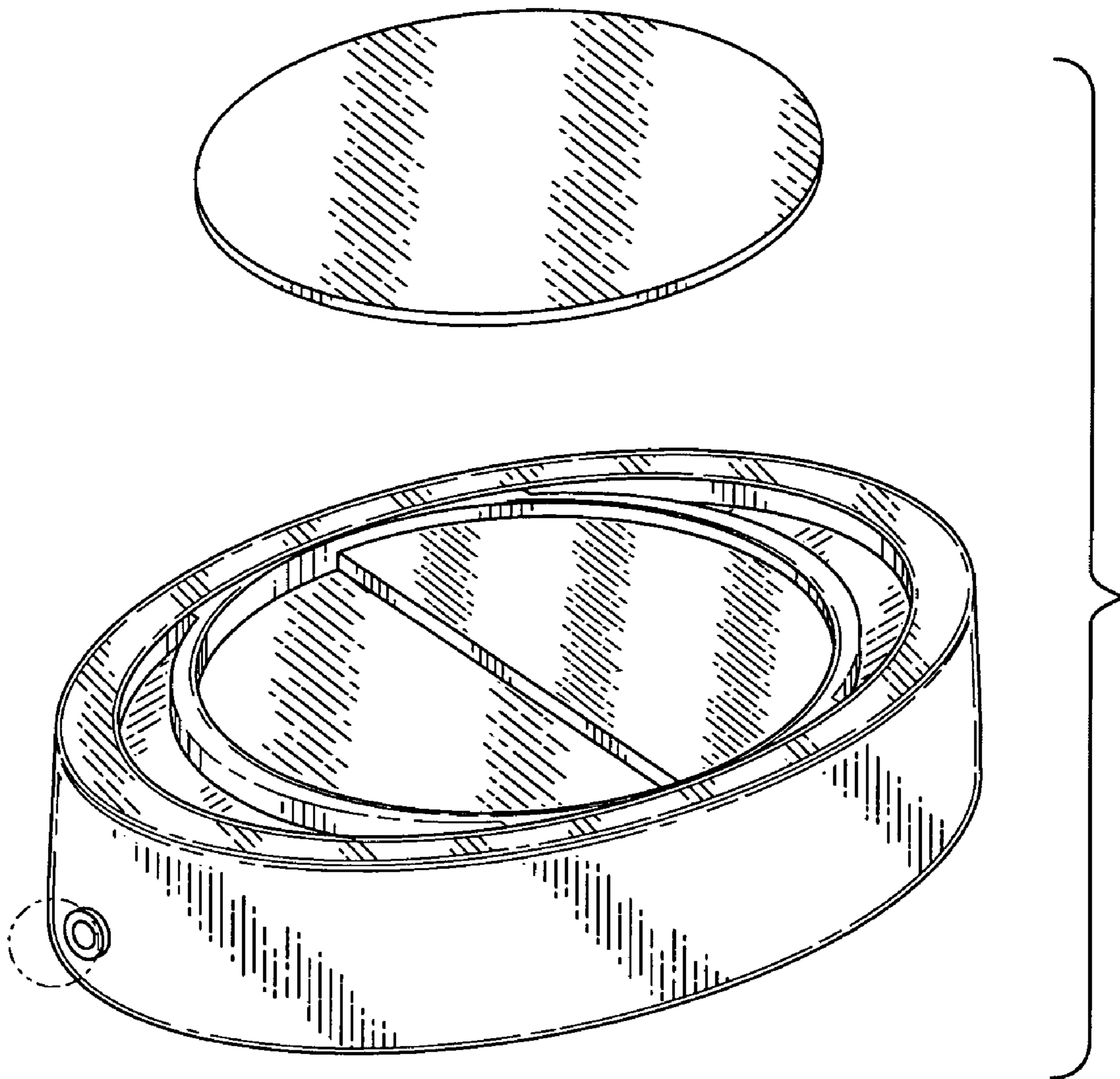


FIG. 8