



US00D588669S

(12) **United States Design Patent**  
**Taggart et al.**

(10) **Patent No.:** **US D588,669 S**  
(45) **Date of Patent:** **\*\* Mar. 17, 2009**

(54) **RACK SIDES**

D454,380 S \* 3/2002 Porper ..... D21/782  
D529,116 S \* 9/2006 Hathcock ..... D21/782

(75) Inventors: **Terry Taggart**, Parker, CO (US);  
**Charlie Dittrick**, Parker, CO (US);  
**Angel Preciado**, Parker, CO (US); **Doug Wathen**, Parker, CO (US); **Carlos Babb**, Parker, CO (US); **Eric Sanchez**, Parker, CO (US)

**OTHER PUBLICATIONS**

Japanese Office Action, mailed Oct. 3, 2008, corresponding to the Japanese Design Application No. 2008-011143, 3 pages.

\* cited by examiner

*Primary Examiner*—Prabhakar Deshmukh

(74) *Attorney, Agent, or Firm*—Fennemore Craig, P.C.

(73) Assignee: **Taggart Enterprises, Inc.**, Parker, CO (US)

(57) **CLAIM**

(\*\*) Term: **14 Years**

The ornamental design for rack sides, as shown and described.

(21) Appl. No.: **29/297,607**

(22) Filed: **Nov. 14, 2007**

**DESCRIPTION**

**Related U.S. Application Data**

FIG. 1 is a perspective view of rack sides showing our new design;

(63) Continuation-in-part of application No. 29/297,096, filed on Nov. 2, 2007, now Pat. No. Des. 577,407.

FIG. 2 is a another perspective view thereof;

(51) **LOC (9) Cl.** ..... **21-01**

FIG. 3 is a rear elevational view thereof;

(52) **U.S. Cl.** ..... **D21/782**

FIG. 4 is a front elevational view thereof;

(58) **Field of Classification Search** ..... D21/782–784,  
D21/385; 473/40, 41

FIG. 5 is a left side elevational view thereof;

See application file for complete search history.

FIG. 6 is a right side elevational view thereof;

(56) **References Cited**

FIG. 7 is a top plan view thereof;

**U.S. PATENT DOCUMENTS**

FIG. 8 is a bottom plan view thereof;

1,052,461	A *	2/1913	Chase	.....	473/40
1,167,137	A *	1/1916	Treiber	.....	473/40
1,299,471	A *	4/1919	Hornbostel	.....	473/40
2,273,239	A *	2/1942	Weicker	.....	473/40
2,324,945	A *	7/1943	Mistacu	.....	235/91 B
D159,558	S *	8/1950	Sundell	.....	D21/782
3,680,859	A *	8/1972	English	.....	473/40
3,794,319	A *	2/1974	Miller	.....	473/41
D367,306	S *	2/1996	Fiscella	.....	D21/782
5,556,341	A *	9/1996	Bonn, Jr.	.....	473/40

FIG. 9 is a rear elevational view of a second embodiment of rack sides;

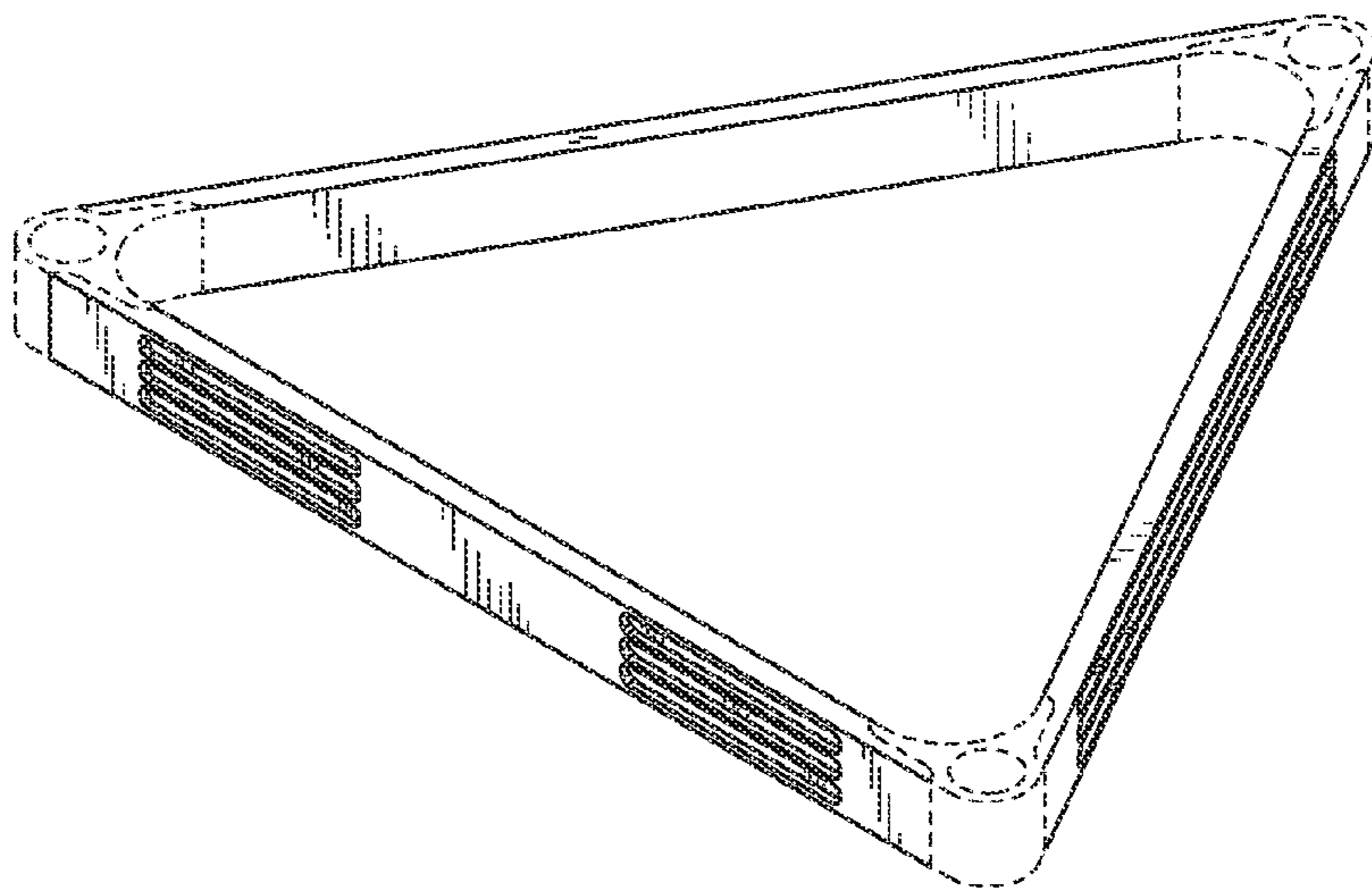
FIG. 10 is a front elevational view of FIG. 9;

FIG. 11 is a left side elevational view of FIG. 9; and,

FIG. 12 is a right side elevational view thereof.

The broken lines, which define the bounds of the claimed design, form no part thereof. The broken lines showing environment is for illustrative purpose and forms no part of the claimed design.

**1 Claim, 7 Drawing Sheets**



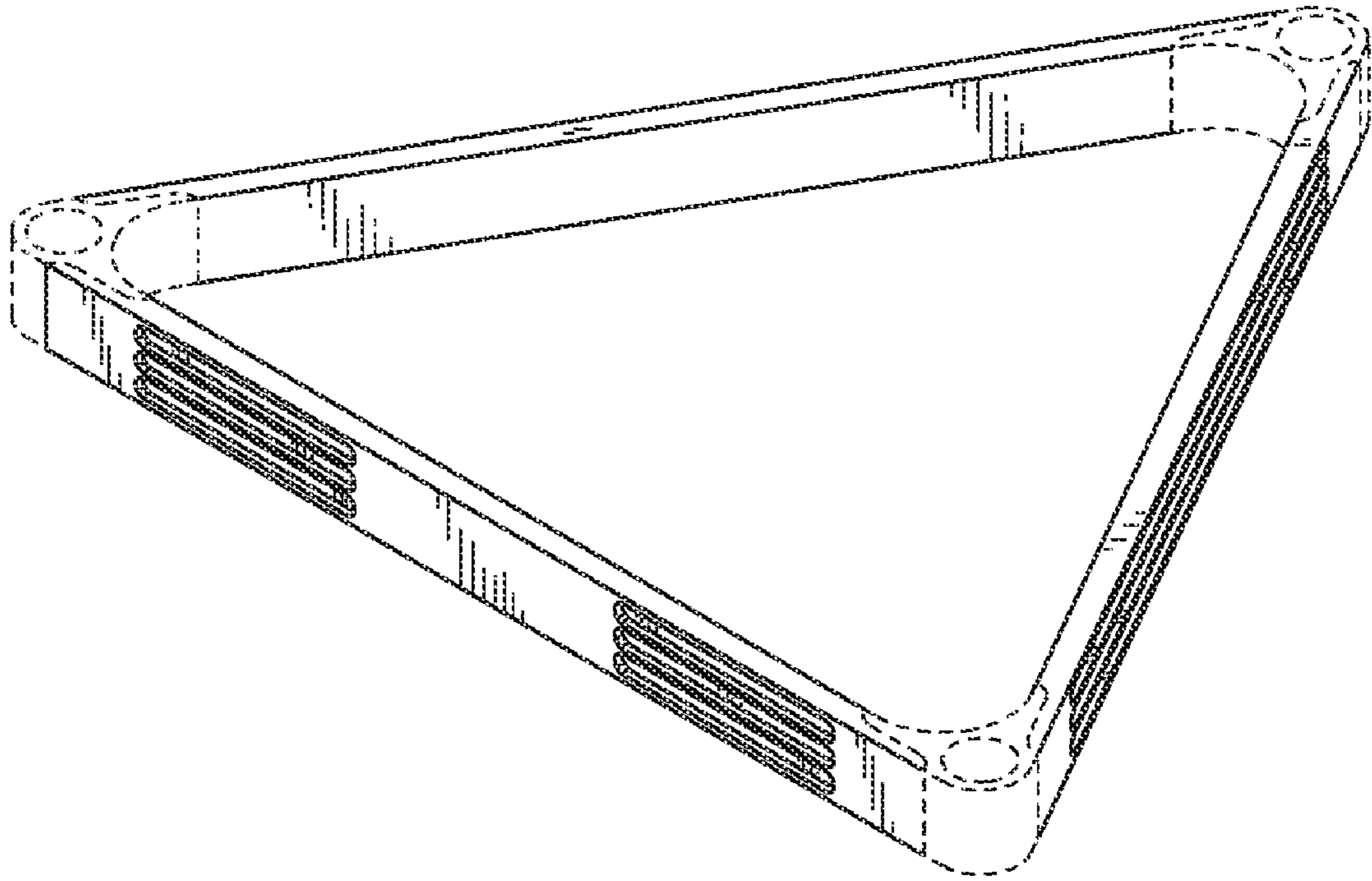


FIG. 1

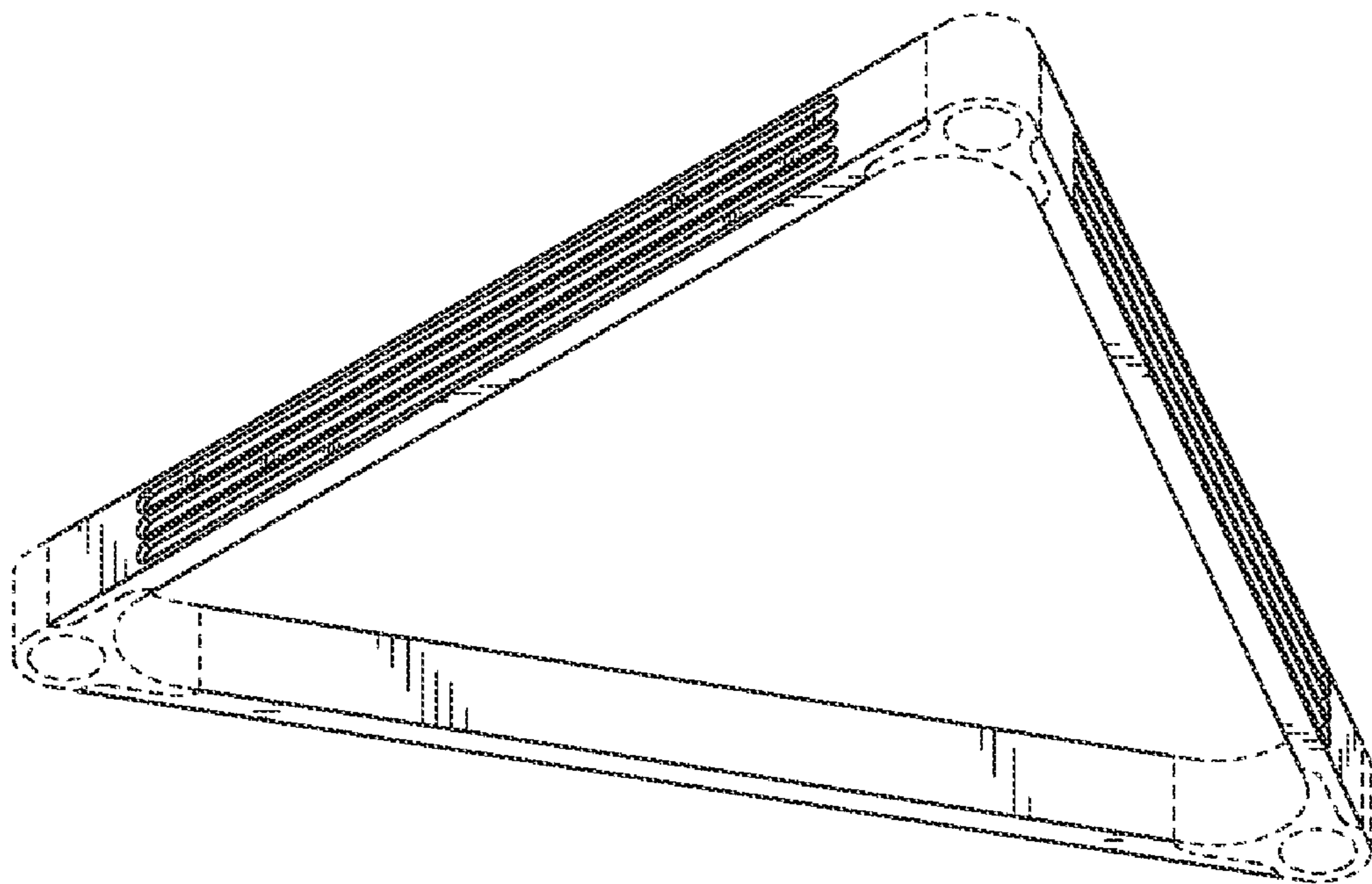


FIG.2



FIG.3



FIG.4



FIG. 5

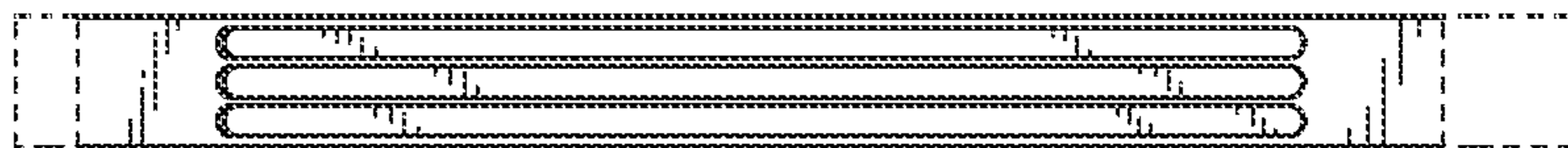


FIG. 6

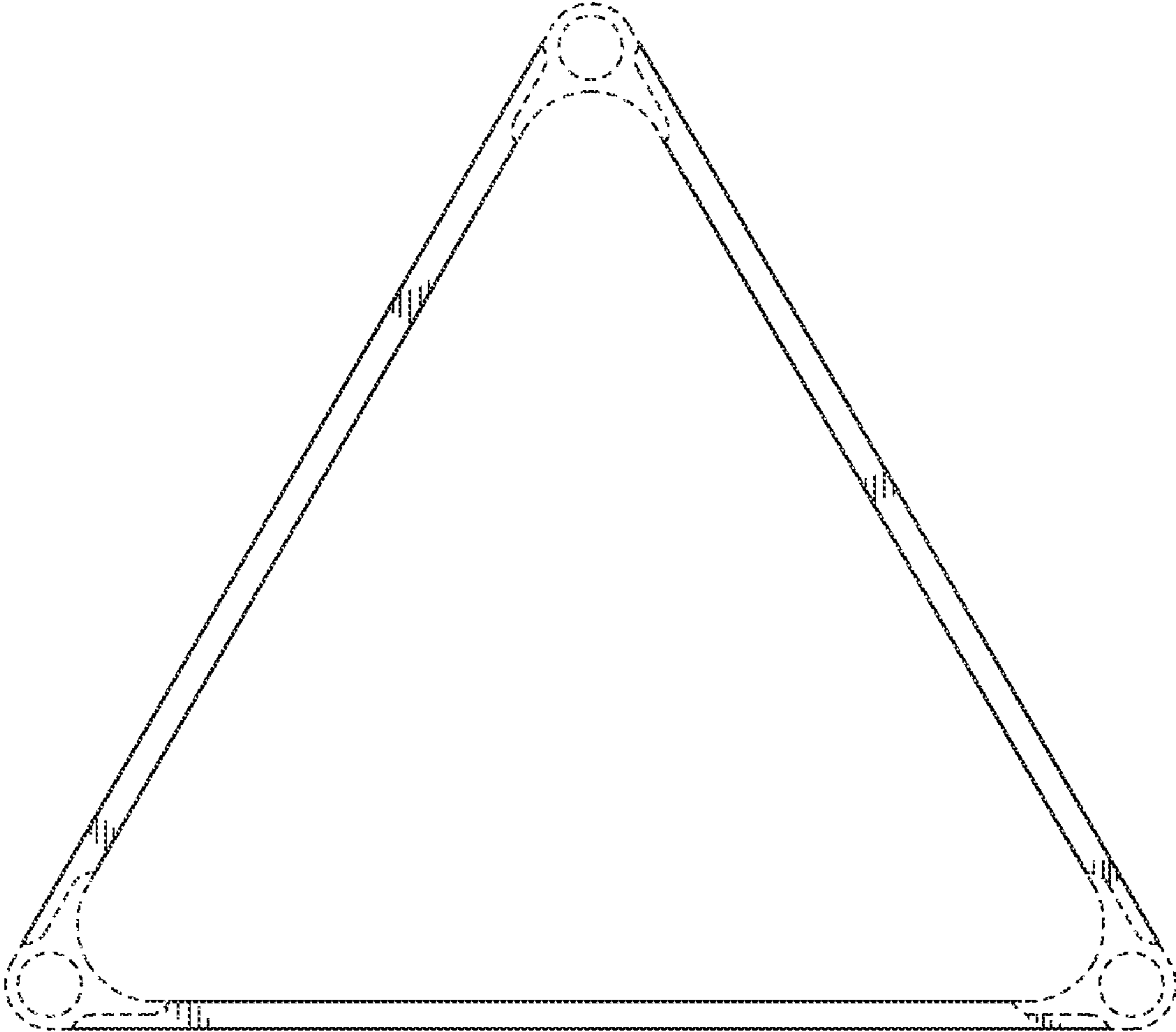


FIG. 7

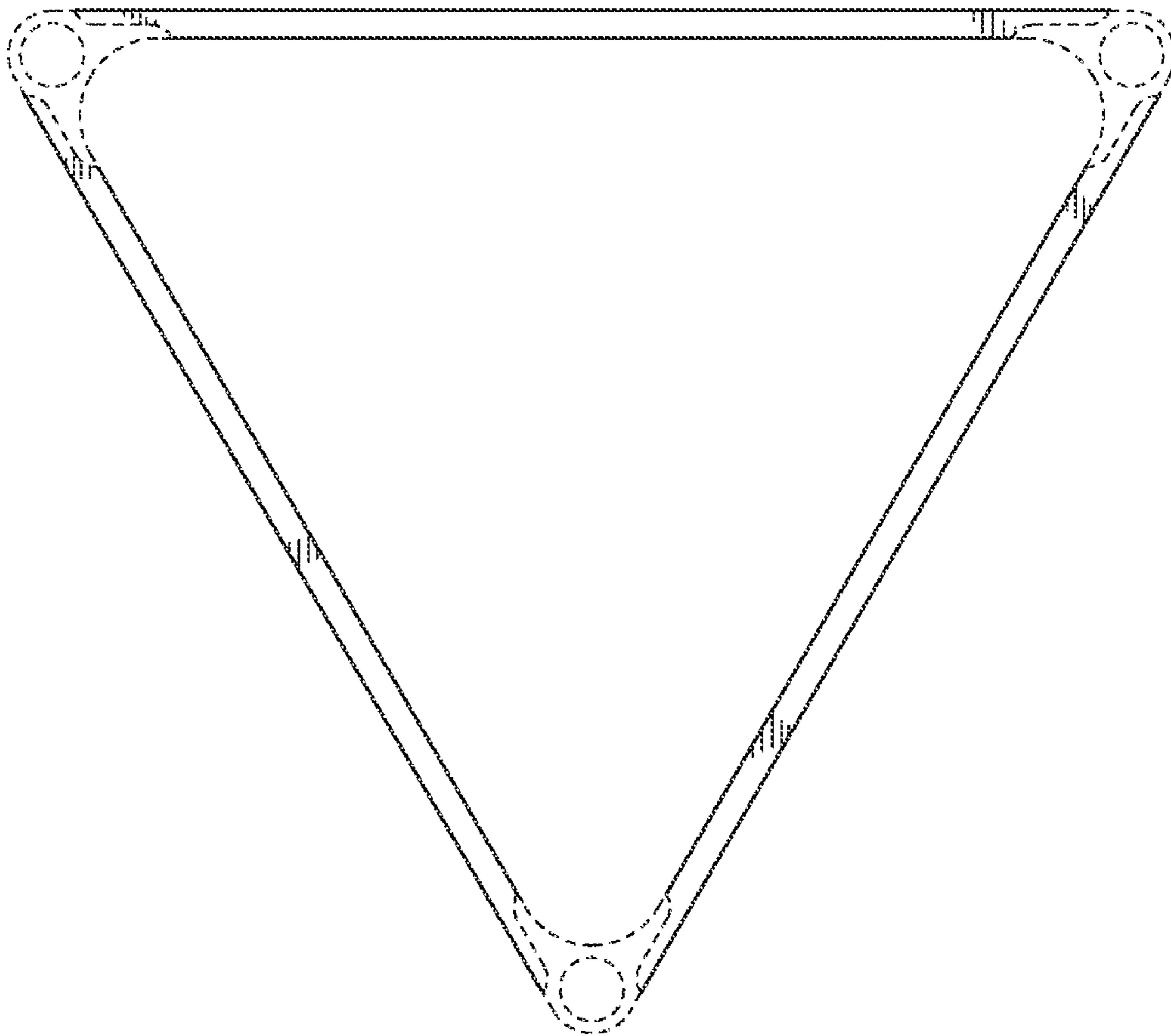


FIG. 8

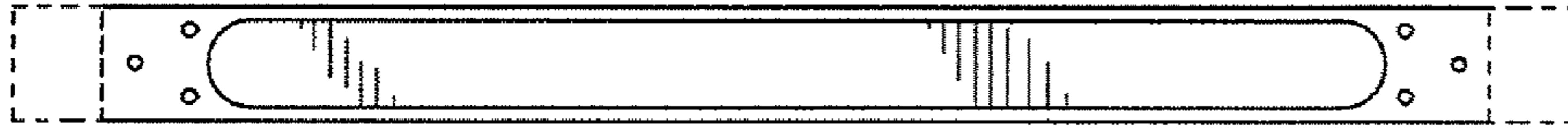


FIG. 9

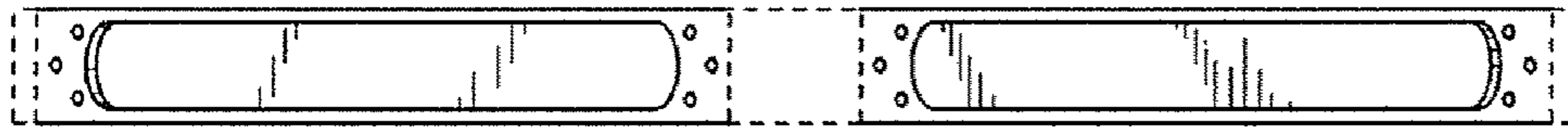


FIG. 10



FIG. 11



FIG. 12



UNITED STATES PATENT AND TRADEMARK OFFICE  
**CERTIFICATE OF CORRECTION**

PATENT NO. : Des. 588,669 S  
APPLICATION NO. : 29/297607  
DATED : March 17, 2009  
INVENTOR(S) : Terry Taggart et al.

Page 1 of 8

It is certified that error appears in the above-identified patent and that said Letters Patent is hereby corrected as shown below:

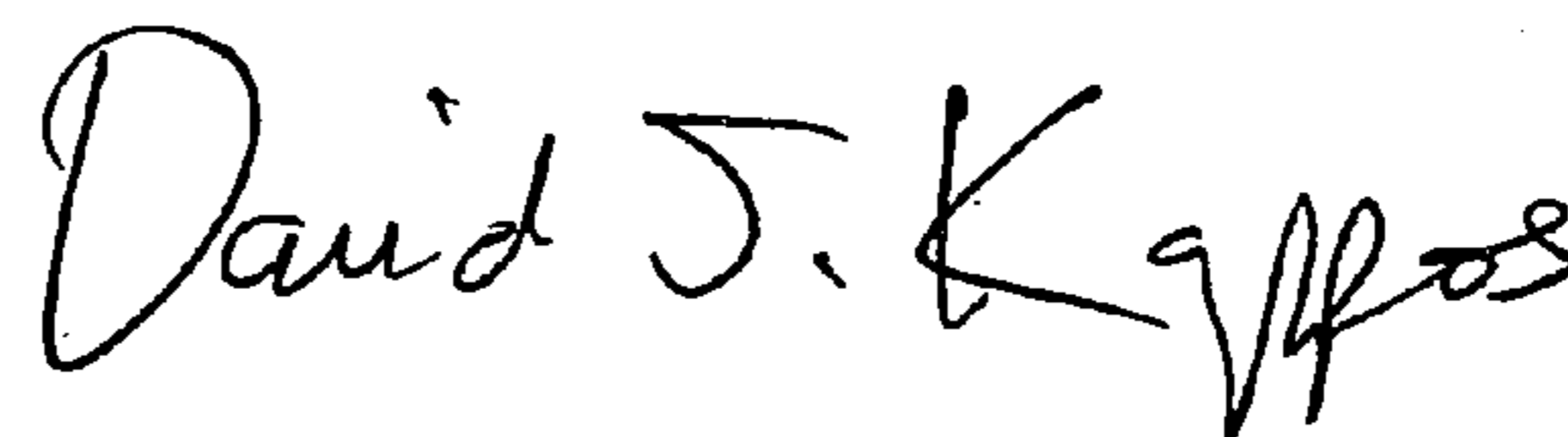
The Title Page, showing an illustrative figure, should be deleted and substitute therefor the attached title page.

The drawings:

Delete drawing "Figures 1-12 (sheets 1 - 7)" and insert replacement drawing --Figures 1-12 (sheets 1 - 6)--.  
Replacement drawing sheets are attached.

Signed and Sealed this

Eighth Day of September, 2009



David J. Kappos  
*Director of the United States Patent and Trademark Office*

(12) **United States Design Patent**  
**Taggart et al.**

(10) **Patent No.:** **US D588,669 S**  
(45) **Date of Patent:** **\*\* Mar. 17, 2009**

(54) **RACK SIDES**

-D454,380 S \* 3/2002 Porper ..... D21/782  
D529,116 S \* 9/2006 Hathcock ..... D21/782

(75) **Inventors:** **Terry Taggart, Parker, CO (US);**  
**Charlie Ditttrick, Parker, CO (US);**  
**Angel Preclado, Parker, CO (US); Doug**  
**Wathen, Parker, CO (US); Carlos Babb,**  
**Parker, CO (US); Eric Sanchez, Parker,**  
**CO (US)**

**OTHER PUBLICATIONS**

Japanese Office Action, mailed Oct. 3, 2008, corresponding to the Japanese Design Application No. 2008-011143, 3 pages.

\* cited by examiner

*Primary Examiner*—Prabhakar Deshmukh  
(74) *Attorney, Agent, or Firm*—Fennemore Craig, P.C.

(73) **Assignee:** **Taggart Enterprises, Inc., Parker, CO (US)**

(57) **CLAIM**

The ornamental design for rack sides, as shown and described.

(\*\*) **Term:** **14 Years**

(21) **Appl. No.:** **29/297,607**

(22) **Filed:** **Nov. 14, 2007**

**Related U.S. Application Data**

(63) Continuation-in-part of application No. 29/297,096, filed on Nov. 2, 2007, now Pat. No. Des. 577,407.

(51) **LOC (9) Cl.** ..... **21-01**

(52) **U.S. Cl.** ..... **D21/782**

(58) **Field of Classification Search** ..... **D21/782-784,**  
**D21/385; 473/40, 41**  
See application file for complete search history.

**DESCRIPTION**

FIG. 1 is a perspective view of rack sides showing our new design;

FIG. 2 is a another perspective view thereof;

FIG. 3 is a rear elevational view thereof;

FIG. 4 is a front elevational view thereof;

FIG. 5 is a left side elevational view thereof;

FIG. 6 is a right side elevational view thereof;

FIG. 7 is a top plan view thereof;

FIG. 8 is a bottom plan view thereof;

FIG. 9 is a rear elevational view of a second embodiment of rack sides;

FIG. 10 is a front elevational view of FIG. 9;

FIG. 11 is a left side elevational view of FIG. 9; and,

FIG. 12 is a right side elevational view thereof.

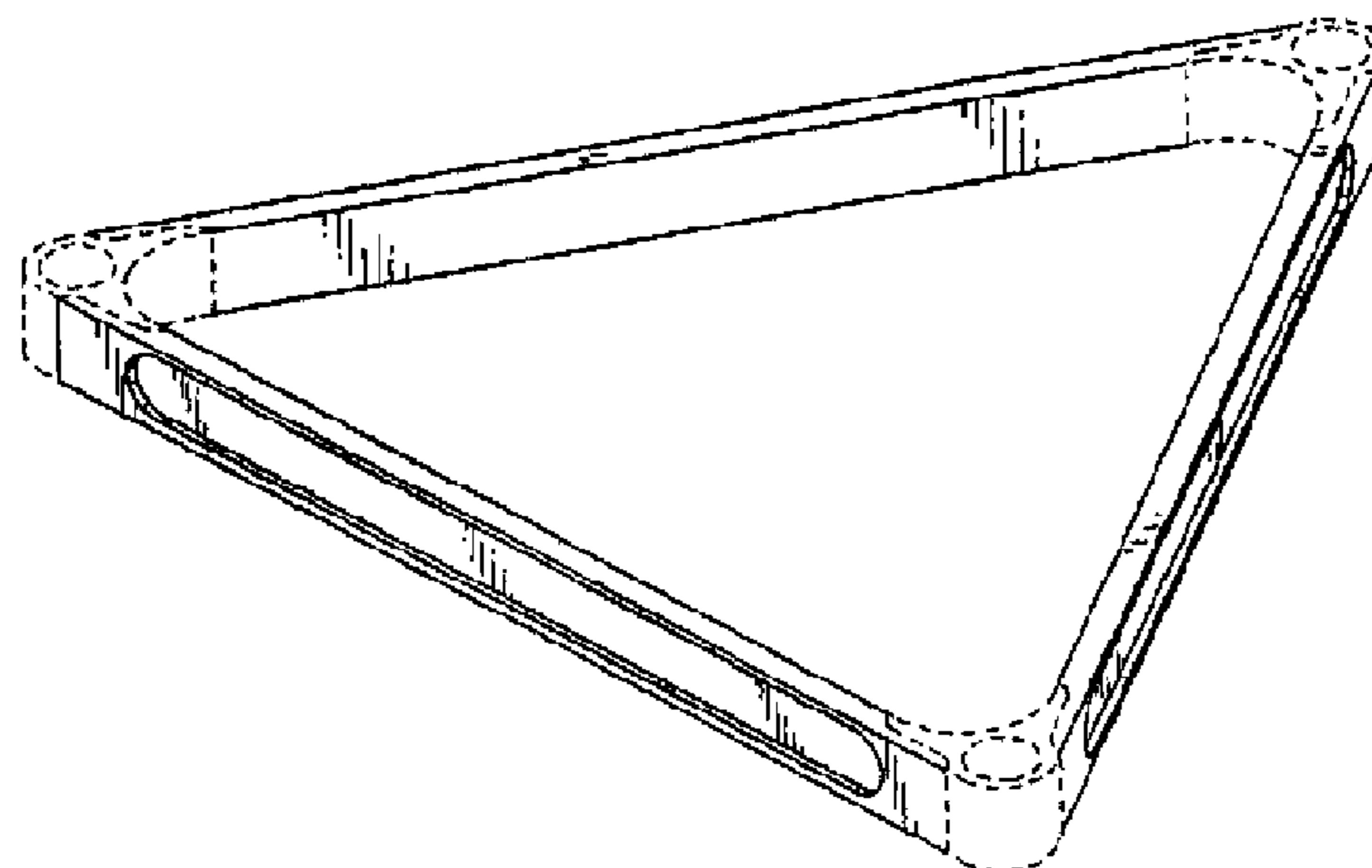
The broken lines, which define the bounds of the claimed design, form no part thereof. The broken lines showing environment is for illustrative purpose and forms no part of the claimed design.

(56) **References Cited**

**U.S. PATENT DOCUMENTS**

1,052,461 A *	2/1913	Chase	.....	473/40
1,167,137 A *	1/1916	Treiber	.....	473/40
1,299,471 A *	4/1919	Hornbostel	.....	473/40
2,273,239 A *	2/1942	Weicker	.....	473/40
2,324,945 A *	7/1943	Mistacu	.....	235/91 B
D159,558 S *	8/1950	Sundell	.....	D21/782
3,680,859 A *	8/1972	English	.....	473/40
3,794,319 A *	2/1974	Miller	.....	473/41
D367,306 S *	2/1996	Fiscella	.....	D21/782
5,556,341 A *	9/1996	Bonn, Jr.	.....	473/40

**1 Claim, 7 Drawing Sheets**

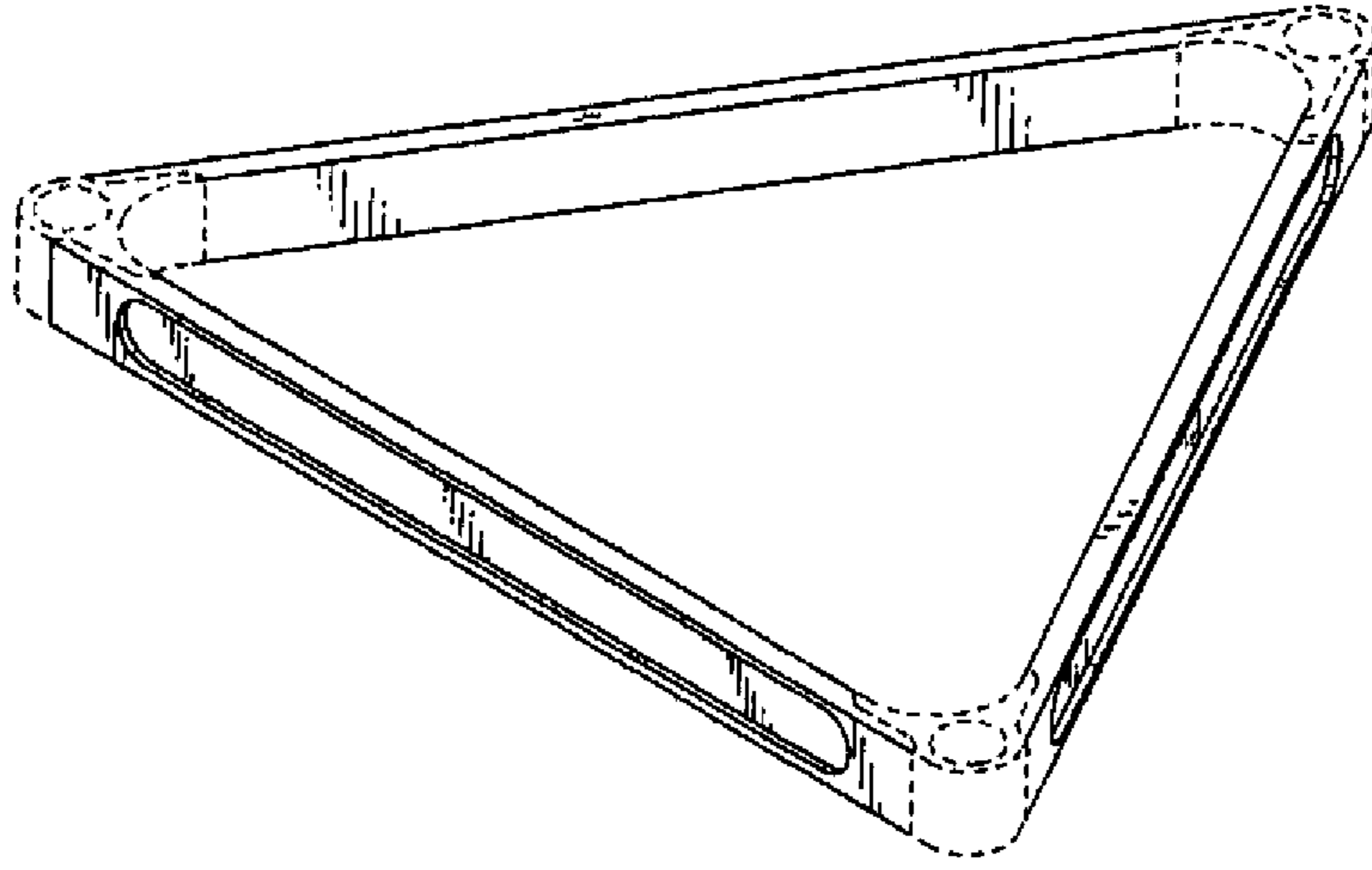


**U.S. Patent**

**Mar. 17, 2009**

**Sheet 1 of 6**

**D588,669 S**



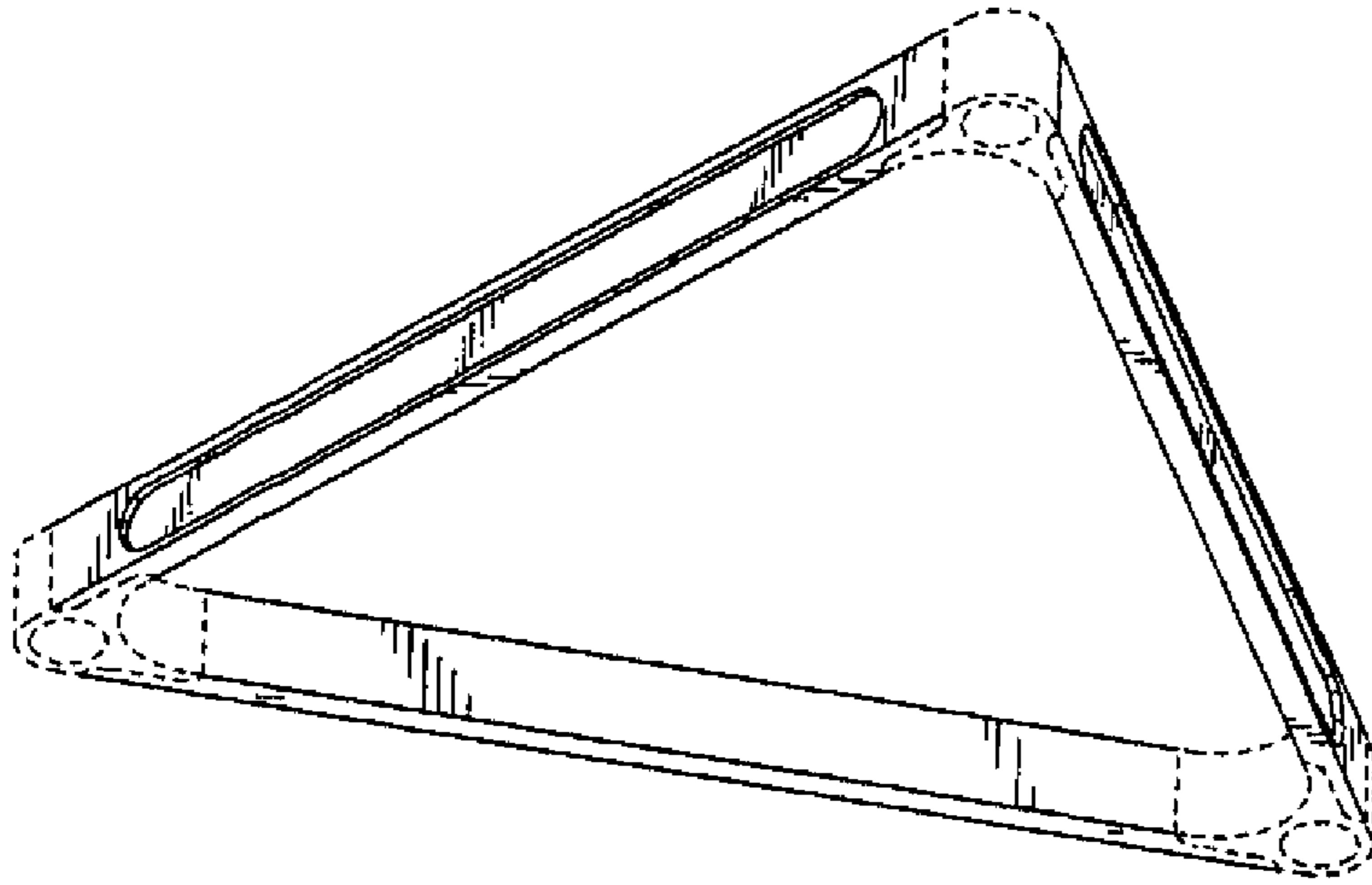
**FIG. 1**

**U.S. Patent**

**Mar. 17, 2009**

**Sheet 2 of 6**

**D588,669 S**



**FIG.2**



FIG.3



FIG.4



FIG.5

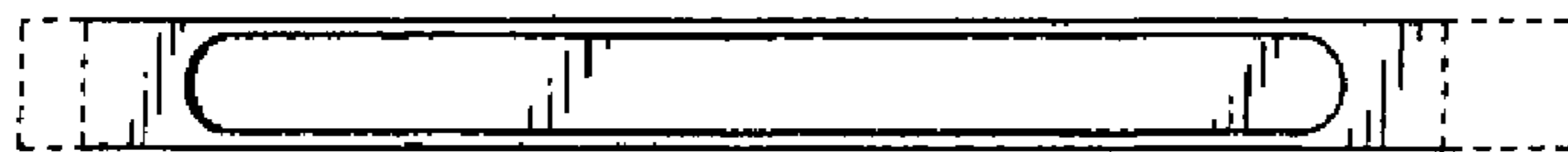


FIG.6

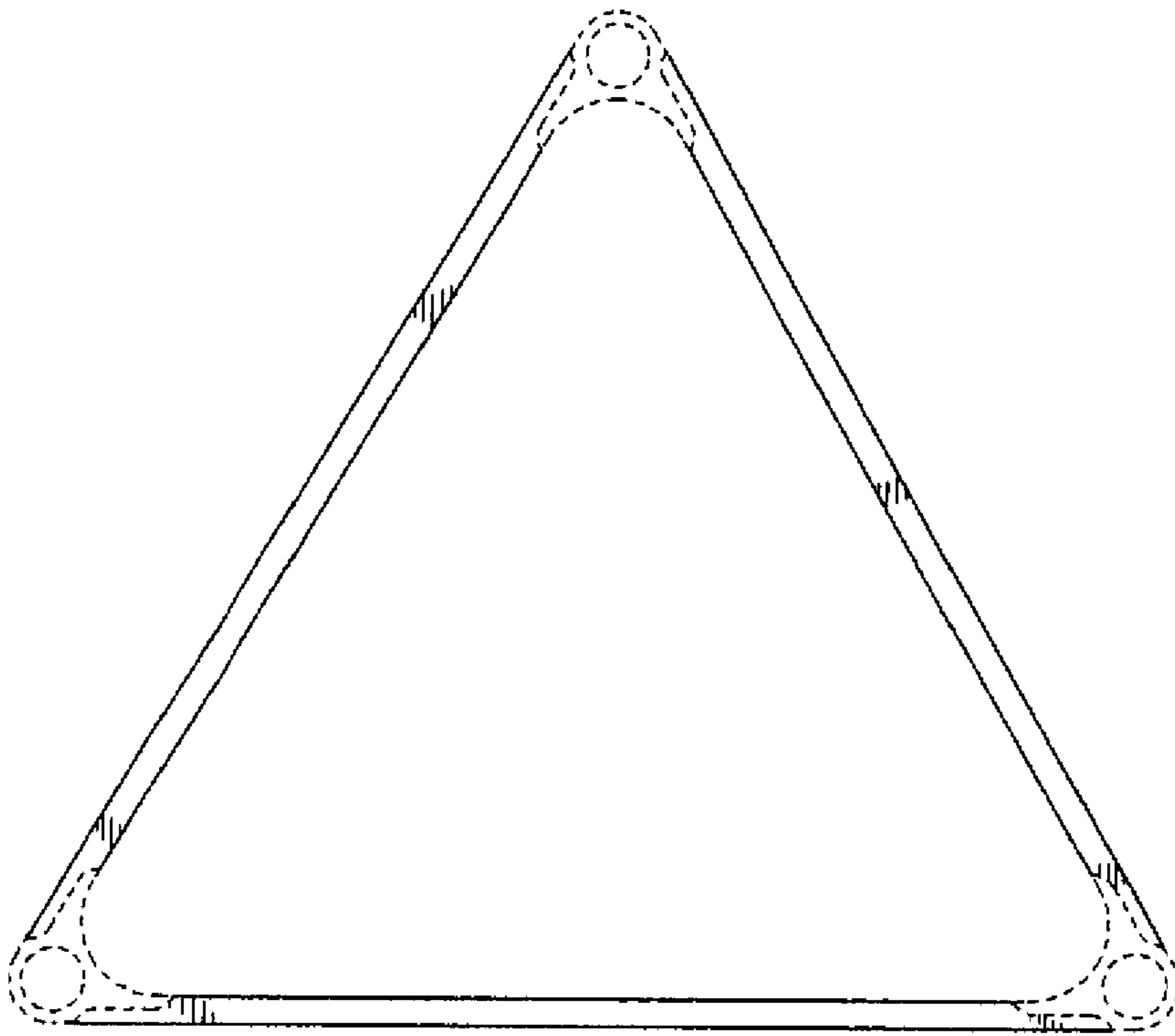
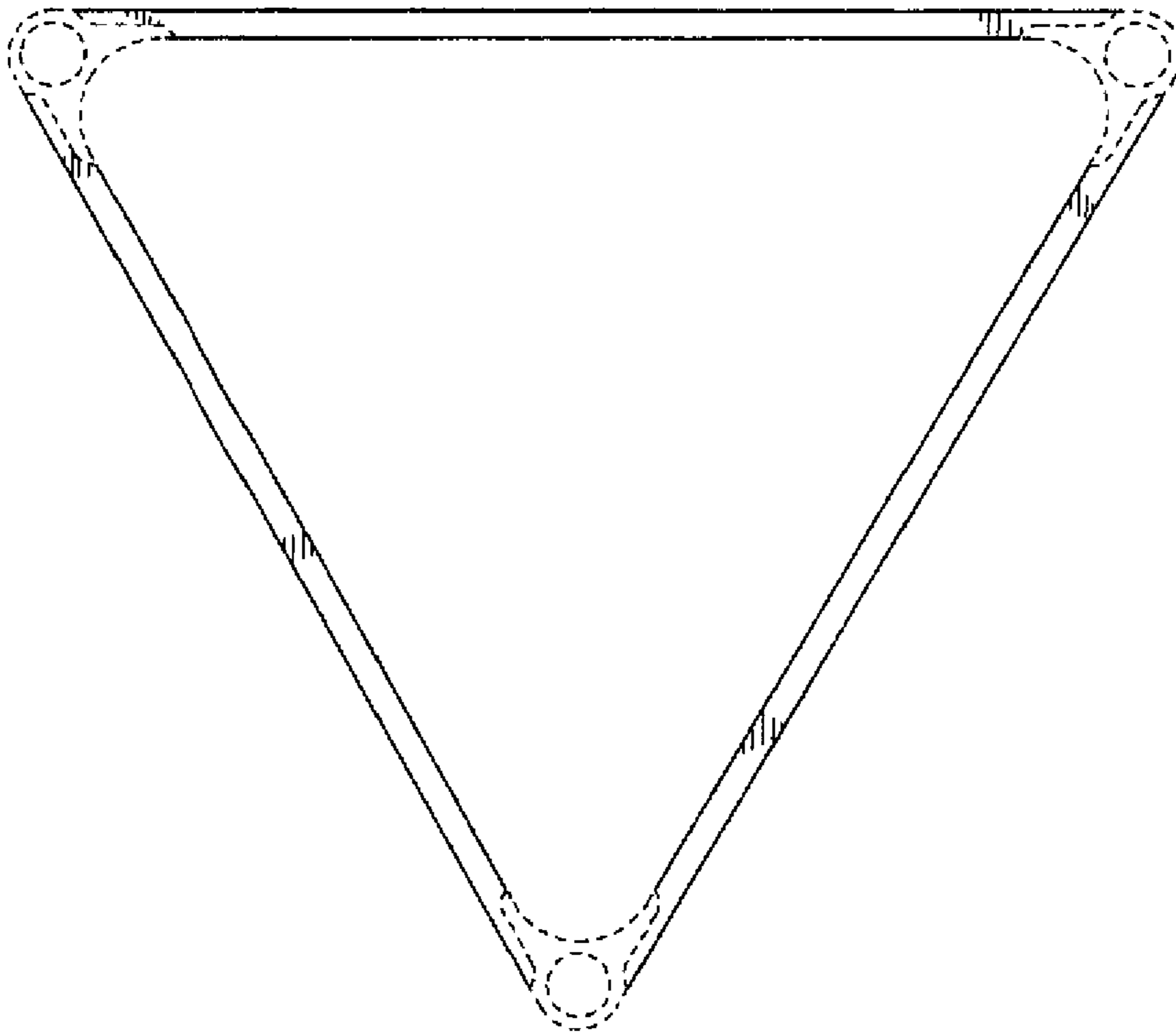


FIG.7



**FIG.8**

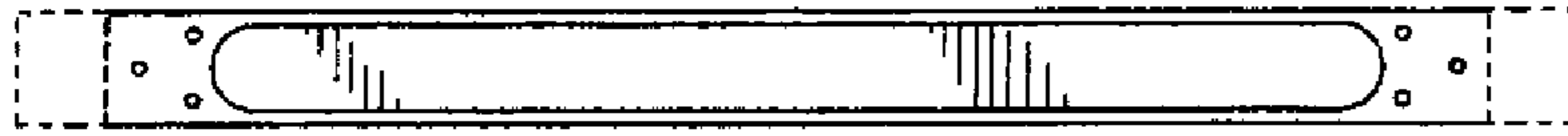


FIG. 9

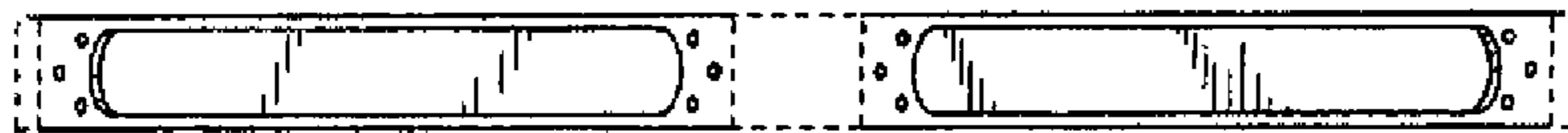


FIG. 10



FIG. 11

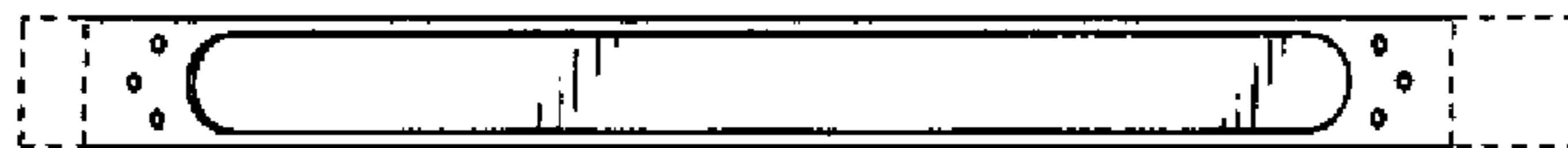


FIG. 12