



US00D588668S

(12) **United States Design Patent**
Riess

(10) **Patent No.:** **US D588,668 S**
(45) **Date of Patent:** **** Mar. 17, 2009**

(54) **SKATEBOARD WHEEL**

(76) **Inventor:** **David Riess**, 88 King St., #1221, San Francisco, CA (US) 94107

(**) **Term:** **14 Years**

(21) **Appl. No.:** **29/288,214**

(22) **Filed:** **Jun. 5, 2007**

(51) **LOC (9) Cl.** **21-02**

(52) **U.S. Cl.** **D21/779**

(58) **Field of Classification Search** D21/762-765, D21/779, 563; D12/204-213; 280/87.042, 280/841, 11.115, 11.12, 11.14-11.18, 11.19, 280/11.215, 11.221-11.26, 809, 816; 152/165; 301/5.301, 5.7, 5.302-5.309
See application file for complete search history.

(56) **References Cited**

U.S. PATENT DOCUMENTS

1,739,474	A *	12/1929	Fritz et al.	301/5.7
D333,647	S *	3/1993	Carmichael	D12/207
D380,804	S *	7/1997	Gulla et al.	D21/779
D381,618	S *	7/1997	Suprihanto	D12/209
6,039,330	A *	3/2000	Hoskin	280/11.215
D433,088	S *	10/2000	Galy	D21/779

D442,904	S *	5/2001	Herrera	D12/207
D448,826	S *	10/2001	Galy	D21/779
D534,968	S *	1/2007	Proch	D21/563
7,314,223	B2 *	1/2008	Lin	280/87.042
2004/0251650	A1 *	12/2004	Katsuyama et al.	280/87.042

* cited by examiner

Primary Examiner—Holly H. Baynham

Assistant Examiner—Cynthia M Chin

(74) *Attorney, Agent, or Firm*—Brian Beverly; Beeson Skinner Beverly, LLP

(57) **CLAIM**

I claim the ornamental design for a skateboard wheel, as shown and described.

DESCRIPTION

FIG. 1 is a front perspective view of a skateboard wheel showing my new design;

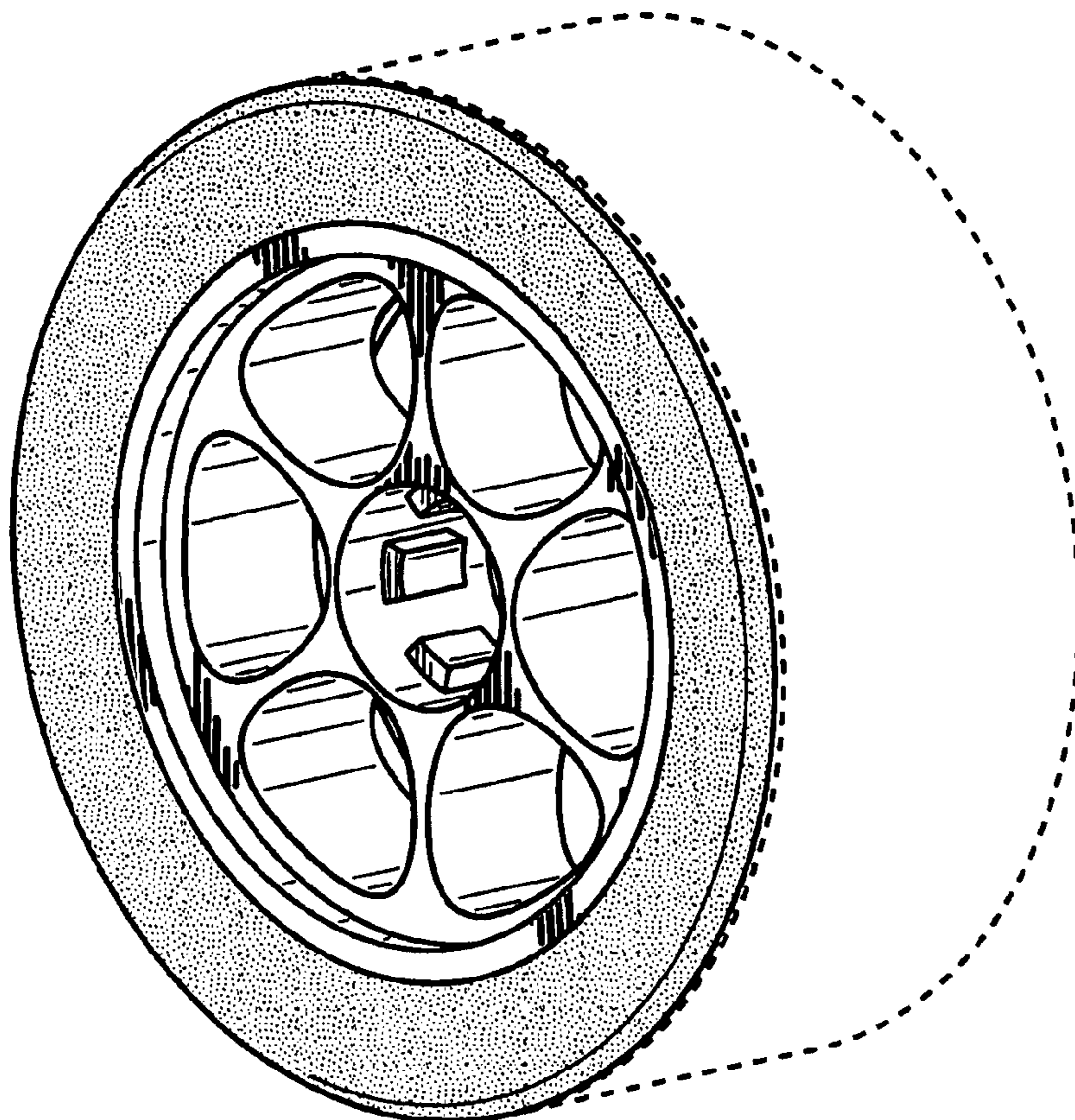
FIG. 2 is a rear perspective view thereof;

FIG. 3 is a front elevational view thereof; and,

FIG. 4 is a rear elevational view thereof.

The broken lines shown in FIGS. 1-2 illustrate environmental structure and form no part of the claimed design.

1 Claim, 2 Drawing Sheets



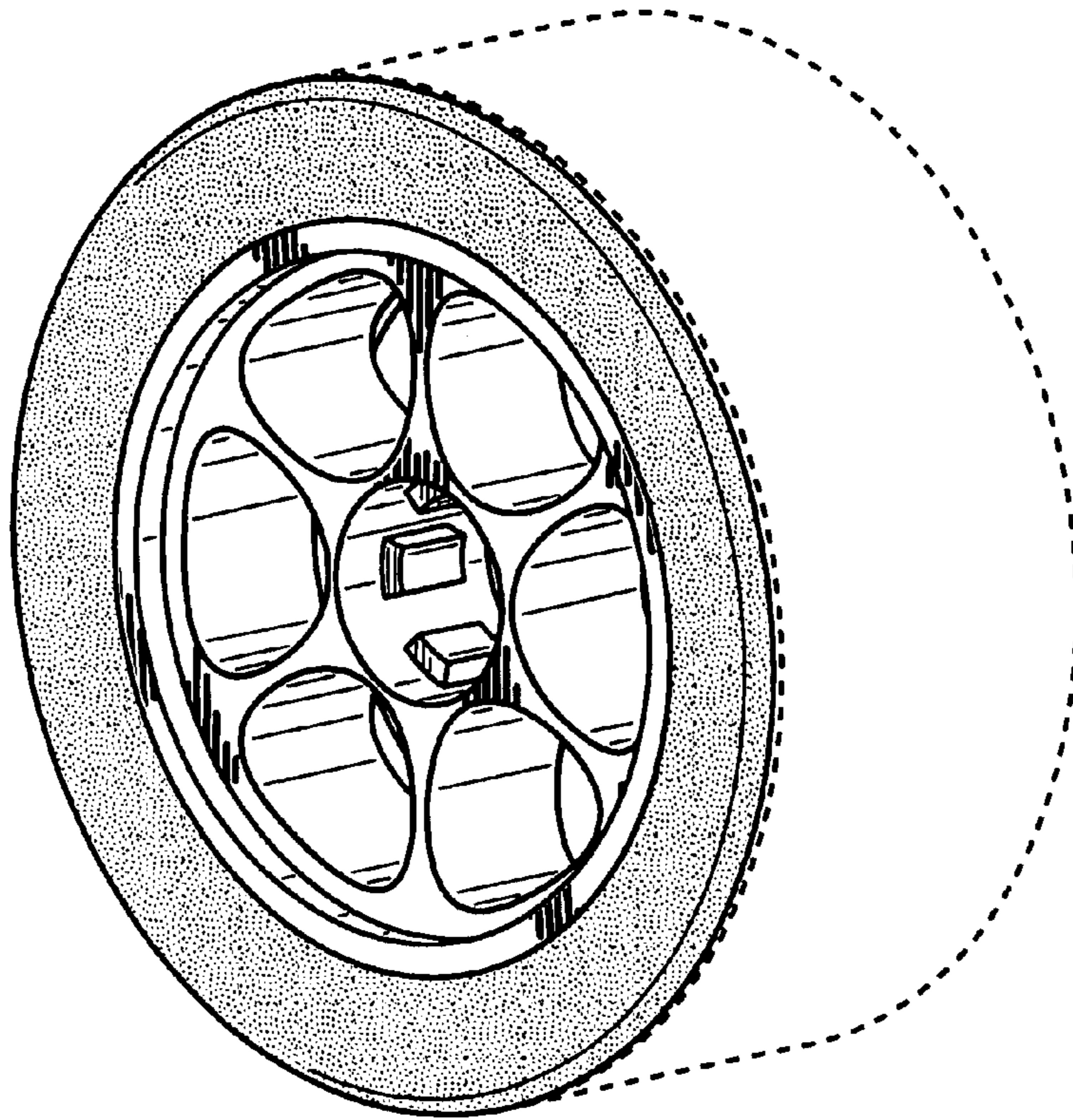


FIG. 1

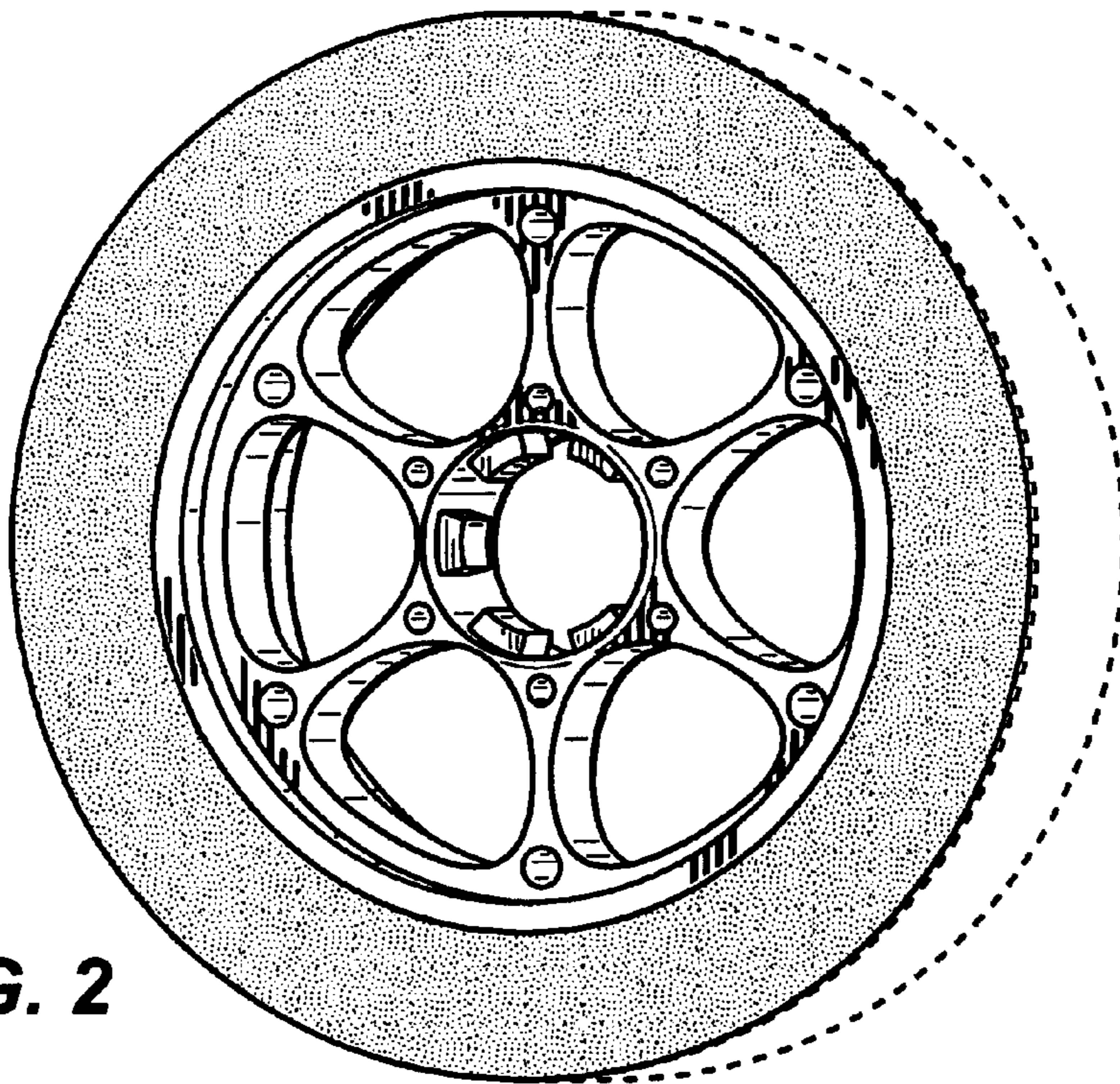


FIG. 2

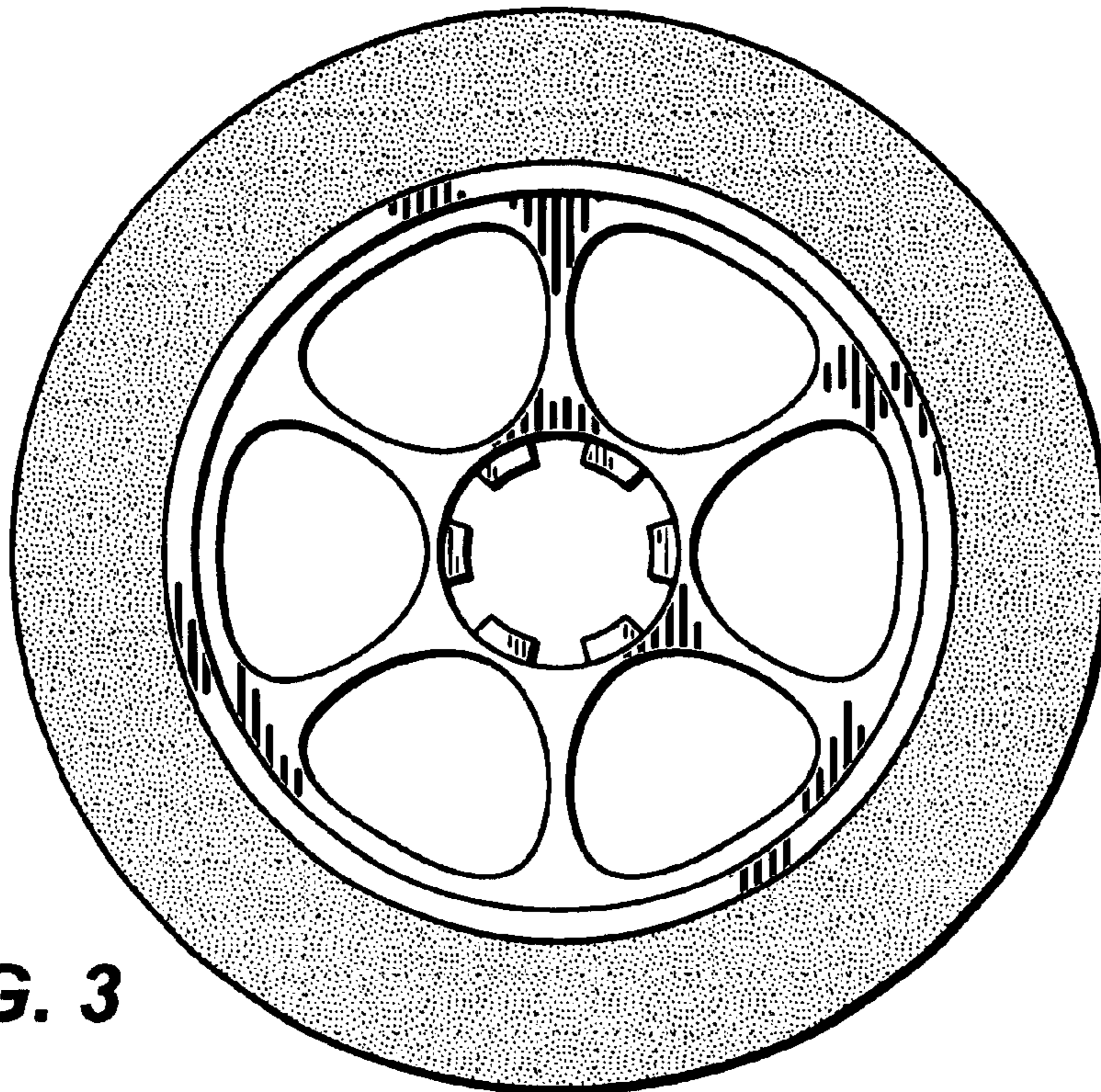


FIG. 3

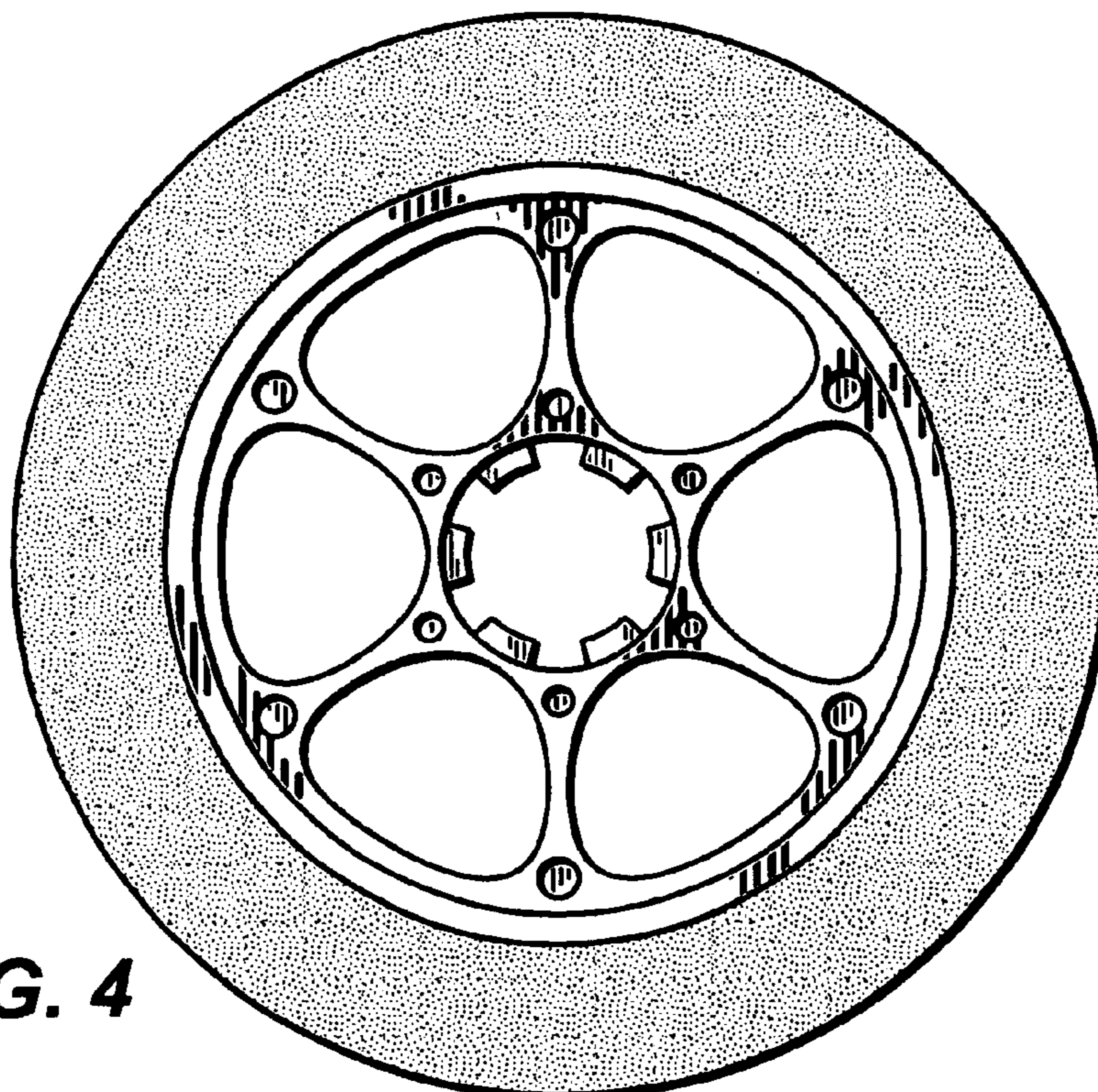


FIG. 4

UNITED STATES PATENT AND TRADEMARK OFFICE
CERTIFICATE OF CORRECTION

PATENT NO. : Des. 588,668 S
APPLICATION NO. : 29/288214
DATED : March 17, 2009
INVENTOR(S) : David Riess

Page 1 of 4

It is certified that error appears in the above-identified patent and that said Letters Patent is hereby corrected as shown below:

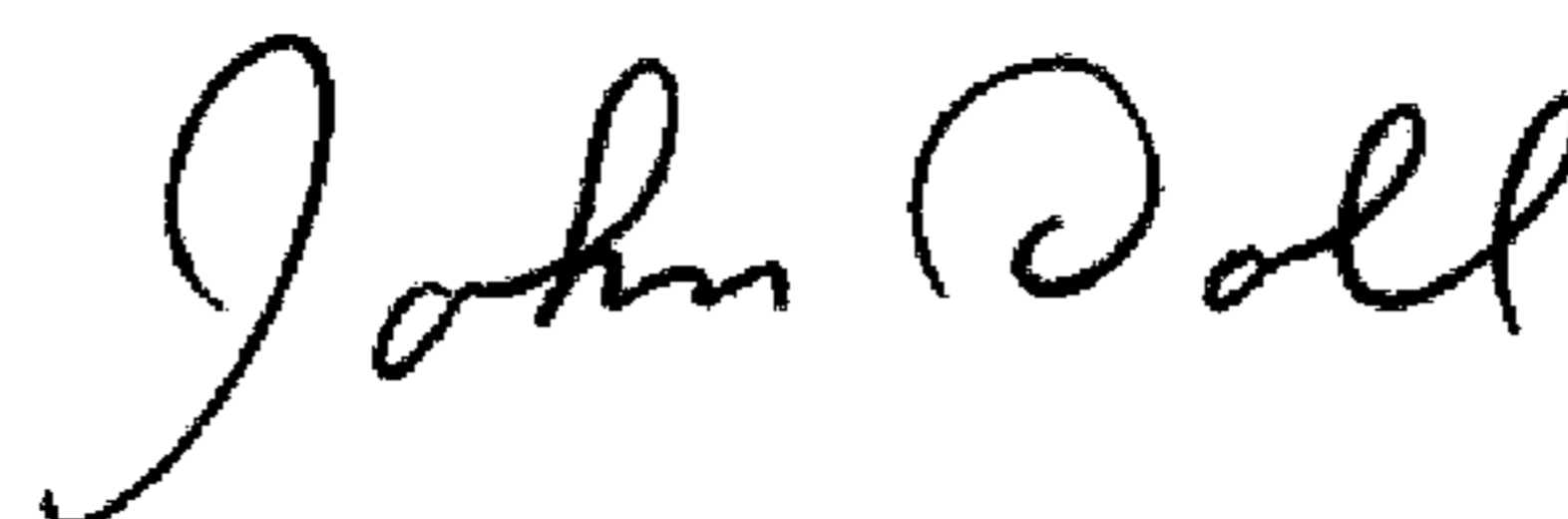
The title page should be deleted and substitute therefor the attached title page.

Drawings:

Delete drawing sheets 1-2 and substitute therefor the drawing sheets, consisting of Figs. 1-4 as shown on the attached pages.

Signed and Sealed this

Twenty-sixth Day of May, 2009



JOHN DOLL

Acting Director of the United States Patent and Trademark Office

(12) **United States Design Patent**
Riess

(10) **Patent No.:** **US D588,668 S**
 (45) **Date of Patent:** **** Mar. 17, 2009**

(54) **SKATEBOARD WHEEL**

(76) **Inventor:** **David Riess, 88 King St., #1221, San Francisco, CA (US) 94107**

(**) **Term:** **14 Years**

(21) **Appl. No.:** **29/288,214**

(22) **Filed:** **Jun. 5, 2007**

(51) **LOC (9) Cl.** **21-02**

(52) **U.S. Cl.** **D21/779**

(58) **Field of Classification Search** **D21/762-765, D21/779, 563; D12/204-213; 280/87.042, 280/841, 11.115, 11.12, 11.14-11.18, 11.19, 280/11.215, 11.221-11.26, 809, 816; 152/165; 301/5.301, 5.7, 5.302-5.309**

See application file for complete search history.

(56) **References Cited**

U.S. PATENT DOCUMENTS

- 1,739,474 A * 12/1929 Fritz et al. 301/5.7
- D333,647 S * 3/1993 Carmichael D12/207
- D380,804 S * 7/1997 Gulla et al. D21/779
- D381,618 S * 7/1997 Suprihanto D12/209
- 6,039,330 A * 3/2000 Hoskin 280/11.215
- D433,088 S * 10/2000 Galy D21/779

- D442,904 S * 5/2001 Herrera D12/207
- D448,826 S * 10/2001 Galy D21/779
- D534,968 S * 1/2007 Proch D21/563
- 7,314,223 B2 * 1/2008 Lin 280/87.042
- 2004/0251650 A1 * 12/2004 Katsuyama et al. 280/87.042

* cited by examiner

Primary Examiner—Holly H. Baynham
Assistant Examiner—Cynthia M Chin

(74) *Attorney, Agent, or Firm*—Brian Beverly; Beeson Skinner Beverly, LLP

(57) **CLAIM**

I claim the ornamental design for a skateboard wheel, as shown and described.

DESCRIPTION

FIG. 1 is a front perspective view of a skateboard wheel showing my new design;

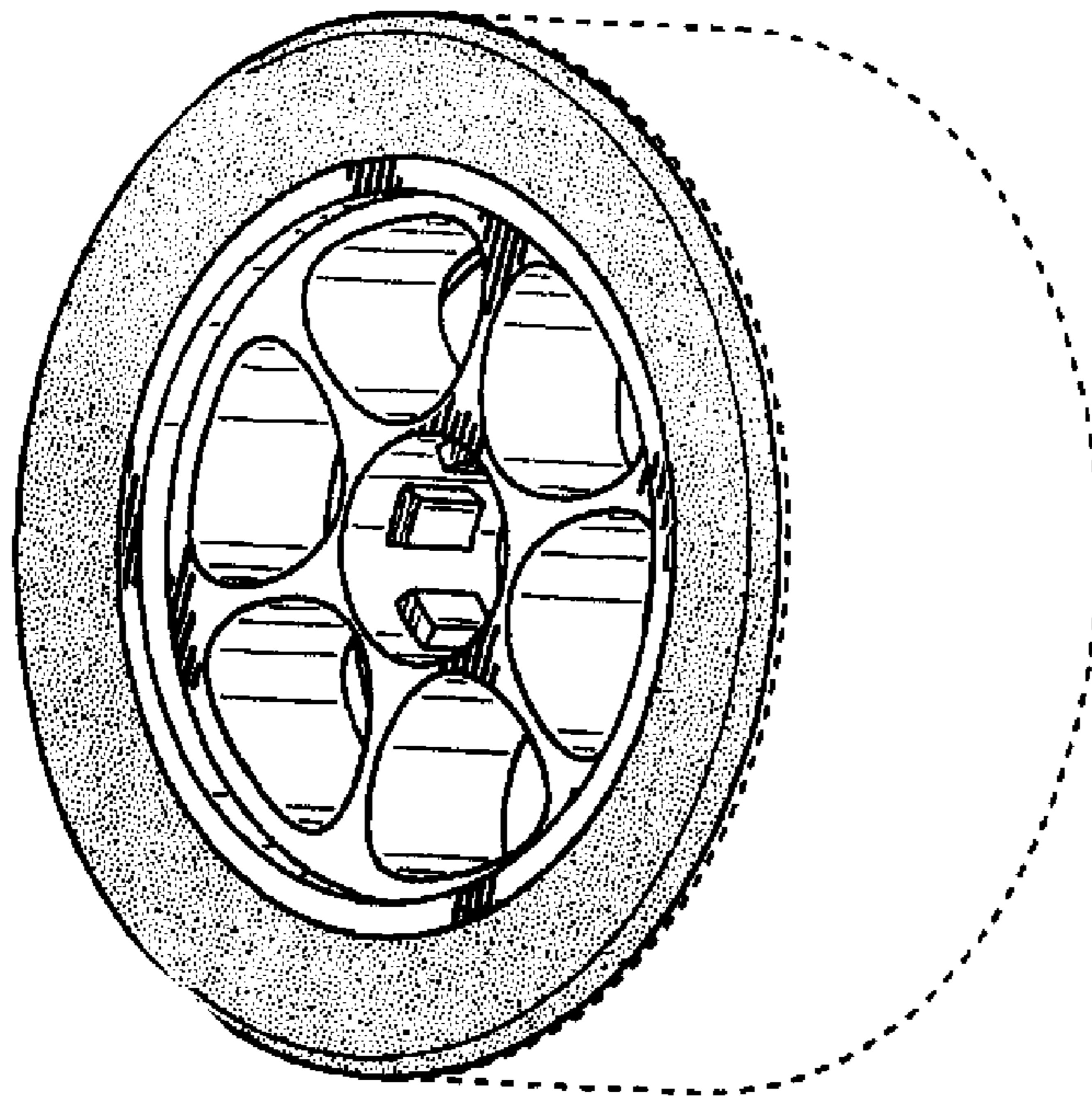
FIG. 2 is a rear perspective view thereof;

FIG. 3 is a front elevational view thereof; and,

FIG. 4 is a rear elevational view thereof.

The broken lines shown in FIGS. 1-2 illustrate environmental structure and form no part of the claimed design.

1 Claim, 2 Drawing Sheets



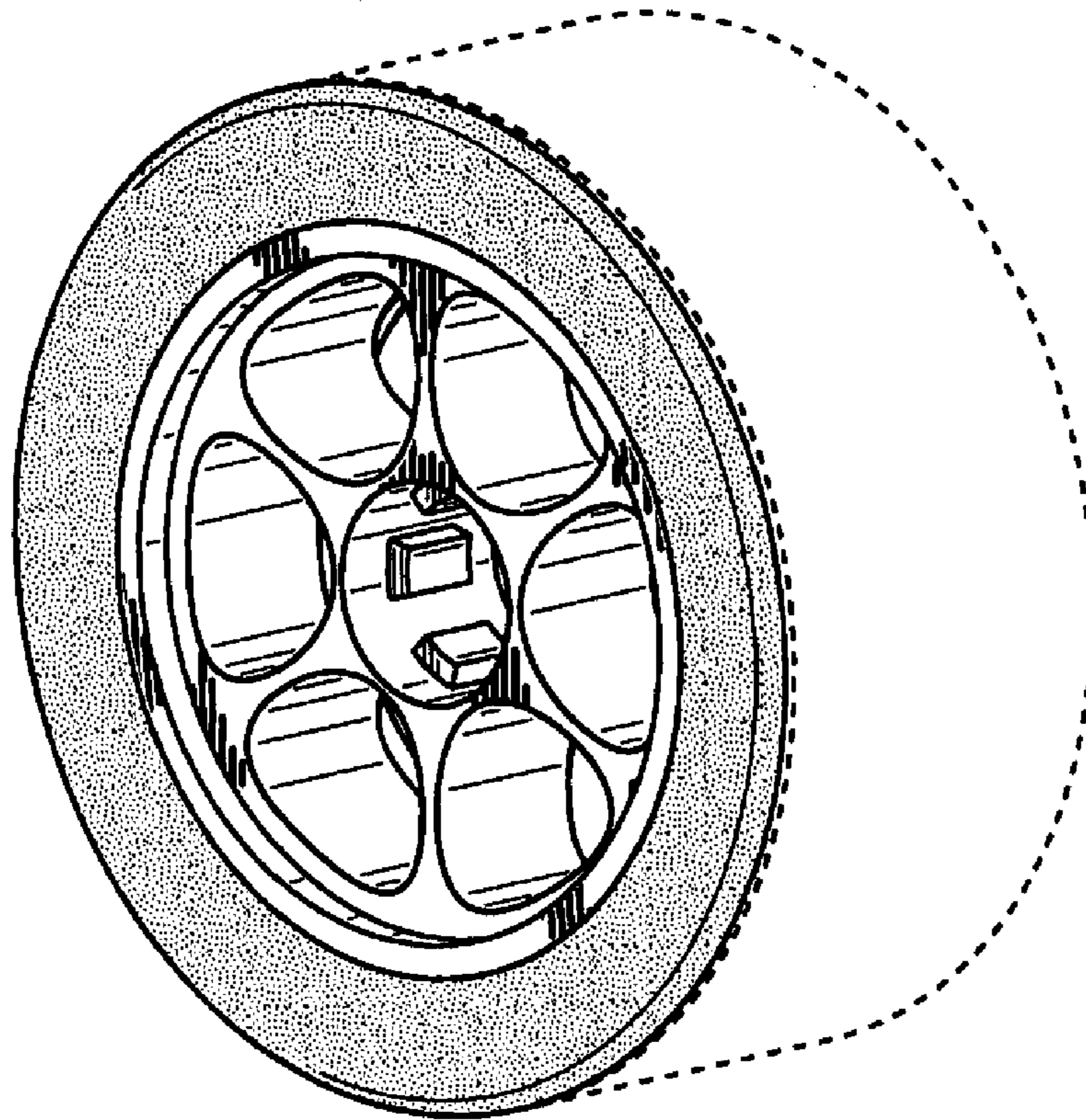


FIG. 1

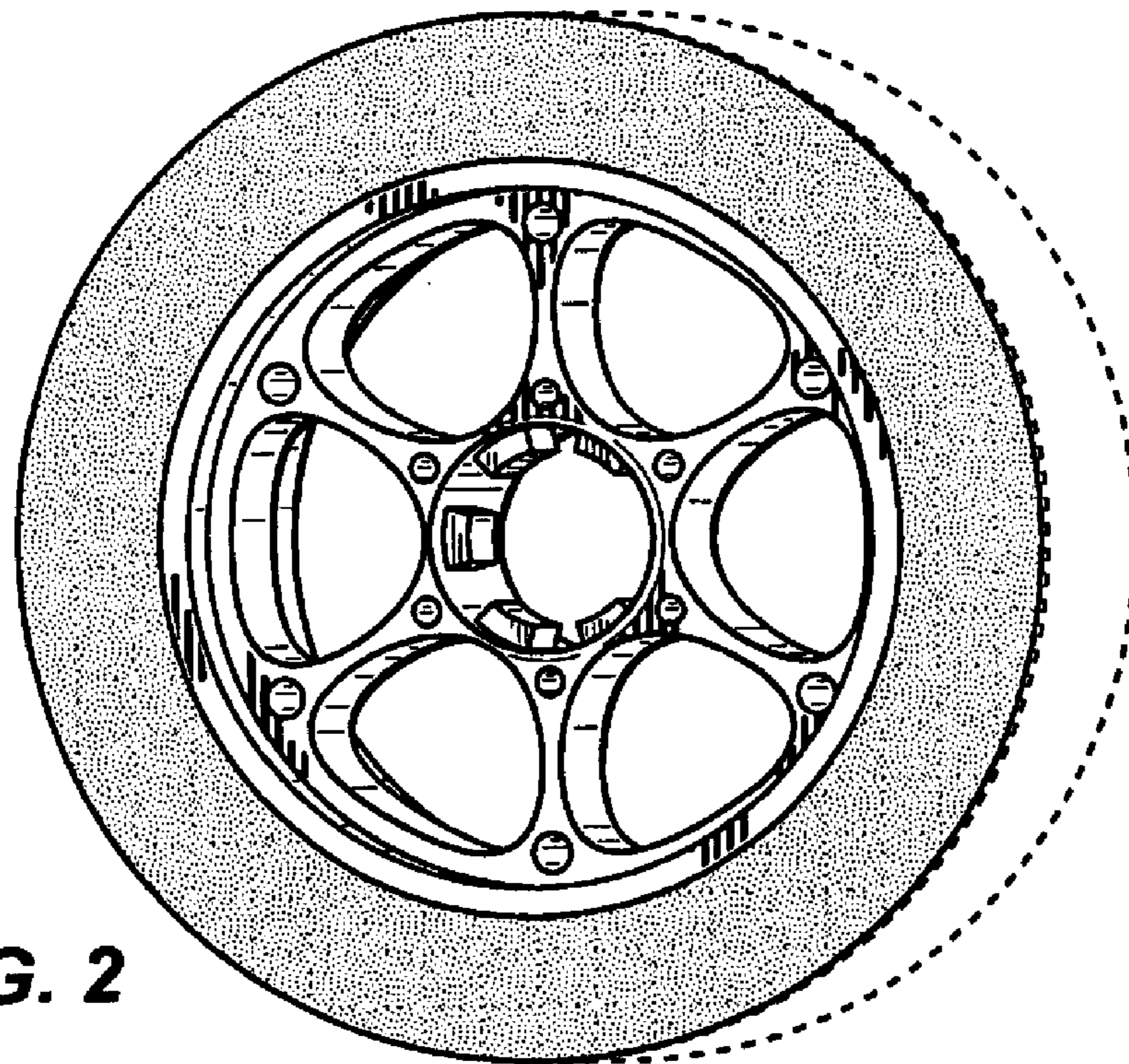


FIG. 2

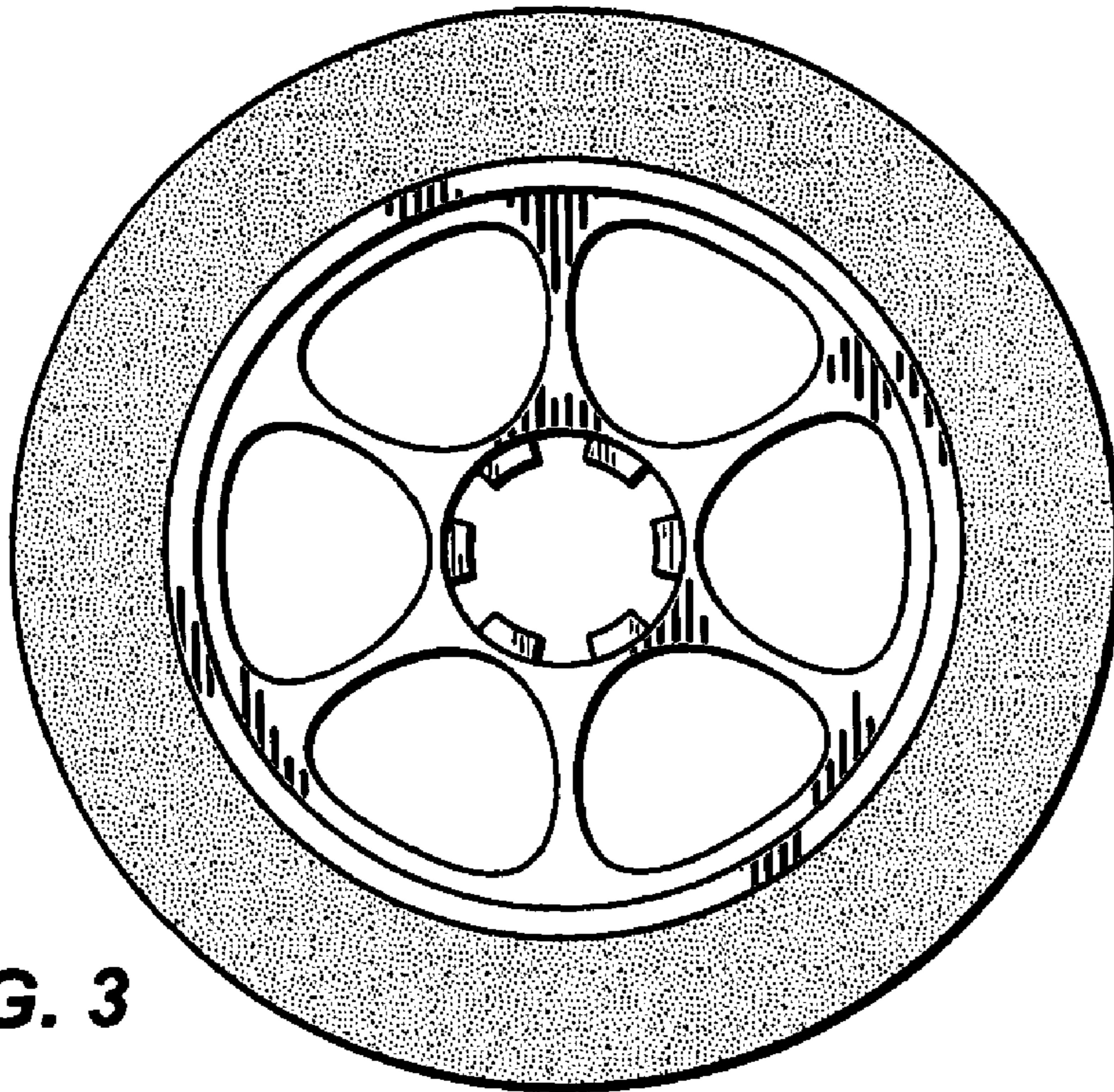


FIG. 3

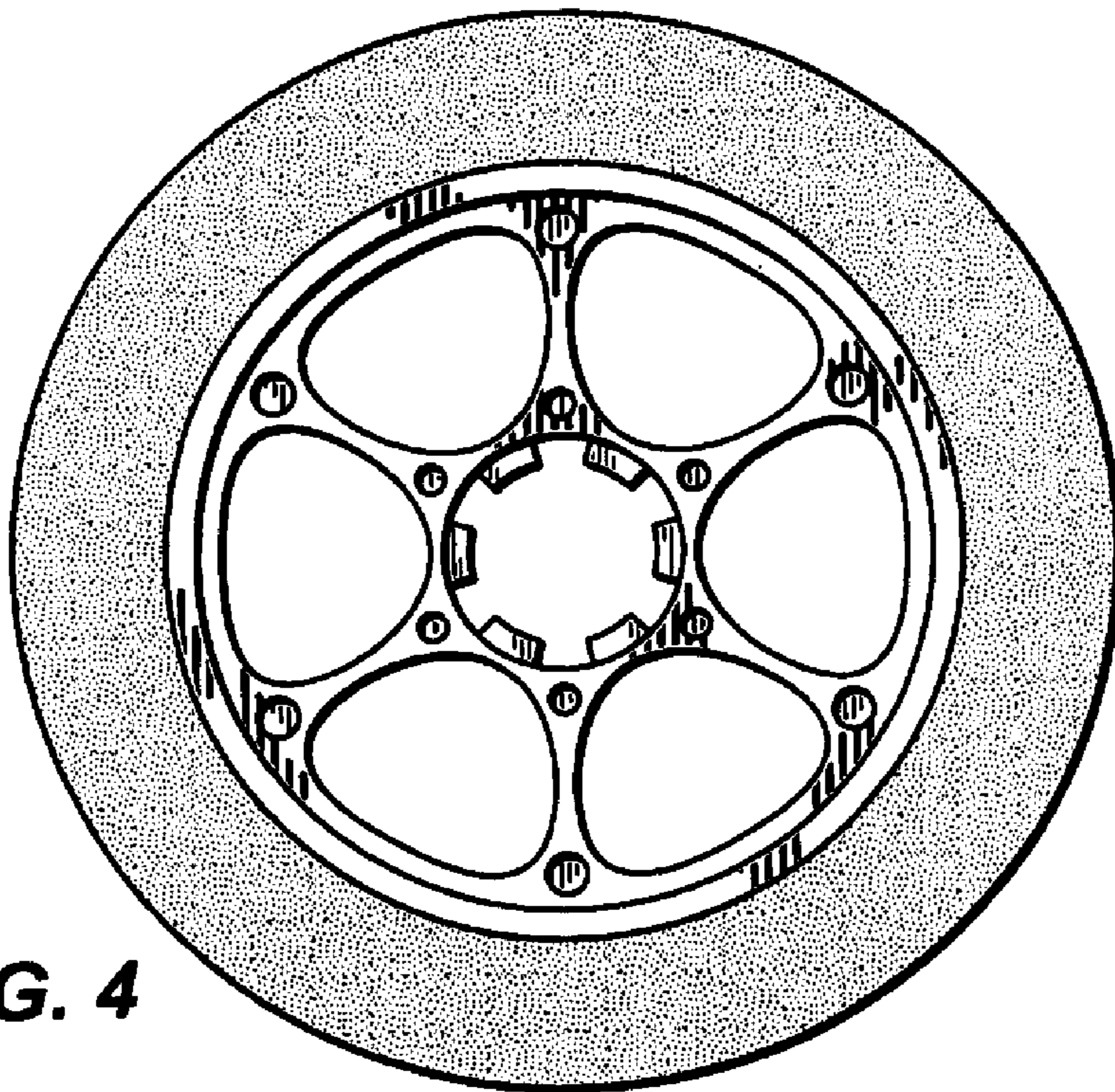


FIG. 4

UNITED STATES PATENT AND TRADEMARK OFFICE
CERTIFICATE OF CORRECTION

PATENT NO. : D588,668 S
APPLICATION NO. : 29/288214
DATED : March 17, 2009
INVENTOR(S) : David Riess

Page 1 of 4

It is certified that error appears in the above-identified patent and that said Letters Patent is hereby corrected as shown below:

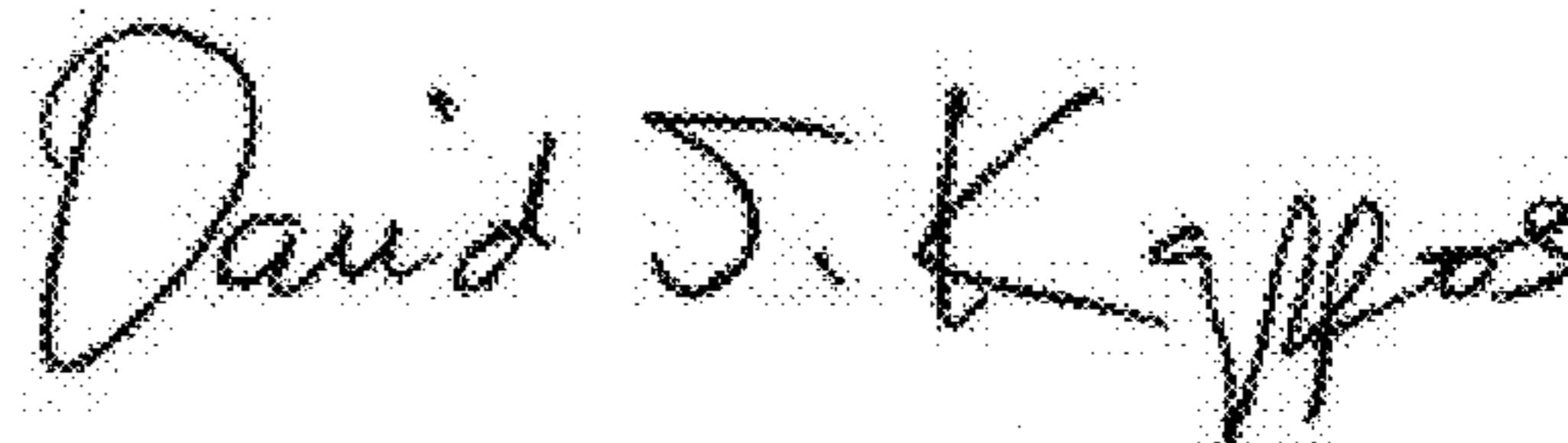
The title page should be deleted and substitute therefor the attached title page.

Drawings:

Delete drawing sheets 1-2 and substitute therefor the drawing sheets, consisting of Figs. 1-4 as shown on the attached pages.

This certificate supersedes the Certificate of Correction issued May 26, 2009.

Signed and Sealed this
Nineteenth Day of April, 2011

A handwritten signature in black ink that reads "David J. Kappos". The signature is written in a cursive, slightly slanted style.

David J. Kappos
Director of the United States Patent and Trademark Office

(12) **United States Design Patent**
Riess

(10) **Patent No.:** **US D588,668 S**
 (45) **Date of Patent:** **** Mar. 17, 2009**

(54) **SKATEBOARD WHEEL**

(76) **Inventor:** **David Riess, 88 King St., #1221, San Francisco, CA (US) 94107**

(**) **Term:** **14 Years**

(21) **Appl. No.:** **29/288,214**

(22) **Filed:** **Jun. 5, 2007**

(51) **LOC (9) Cl.** **21-02**

(52) **U.S. Cl.** **D21/779**

(58) **Field of Classification Search** **D21/762-765, D21/779, 563; D12/204-213; 280/87.042, 280/841, 11.115, 11.12, 11.14-11.18, 11.19, 280/11.215, 11.221-11.26, 809, 816; 152/165; 301/5.301, 5.7, 5.302-5.309**

See application file for complete search history.

(56) **References Cited**

U.S. PATENT DOCUMENTS

- 1,739,474 A * 12/1929 Fritz et al. 301/5.7
- D333,647 S * 3/1993 Carmichael D12/207
- D380,804 S * 7/1997 Gulla et al. D21/779
- D381,618 S * 7/1997 Suprihanto D12/209
- 6,039,330 A * 3/2000 Hoskin 280/11.215
- D433,088 S * 10/2000 Galy D21/779

- D442,904 S * 5/2001 Herrera D12/207
- D448,826 S * 10/2001 Galy D21/779
- D534,968 S * 1/2007 Proch D21/563
- 7,314,223 B2 * 1/2008 Lin 280/87.042
- 2004/0251650 A1 * 12/2004 Katsuyama et al. 280/87.042

* cited by examiner

Primary Examiner—Holly H. Baynham

Assistant Examiner—Cynthia M Chin

(74) *Attorney, Agent, or Firm*—Brian Beverly; Beeson Skinner Beverly, LLP

(57) **CLAIM**

I claim the ornamental design for a skateboard wheel, as shown and described.

DESCRIPTION

FIG. 1 is a front perspective view of a skateboard wheel showing my new design;

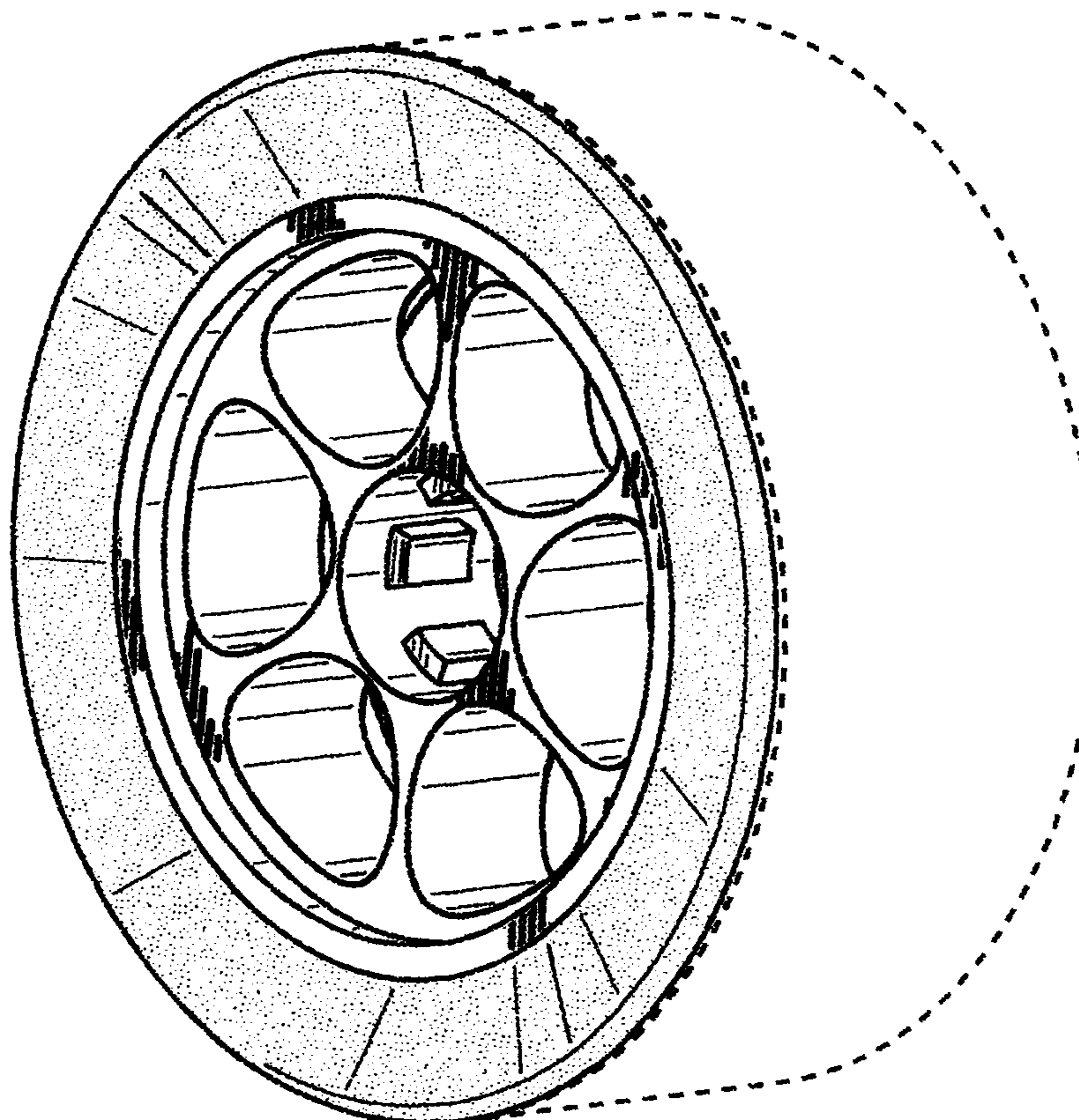
FIG. 2 is a rear perspective view thereof;

FIG. 3 is a front elevational view thereof; and,

FIG. 4 is a rear elevational view thereof.

The broken lines shown in FIGS. 1-2 illustrate environmental structure and form no part of the claimed design.

1 Claim, 2 Drawing Sheets



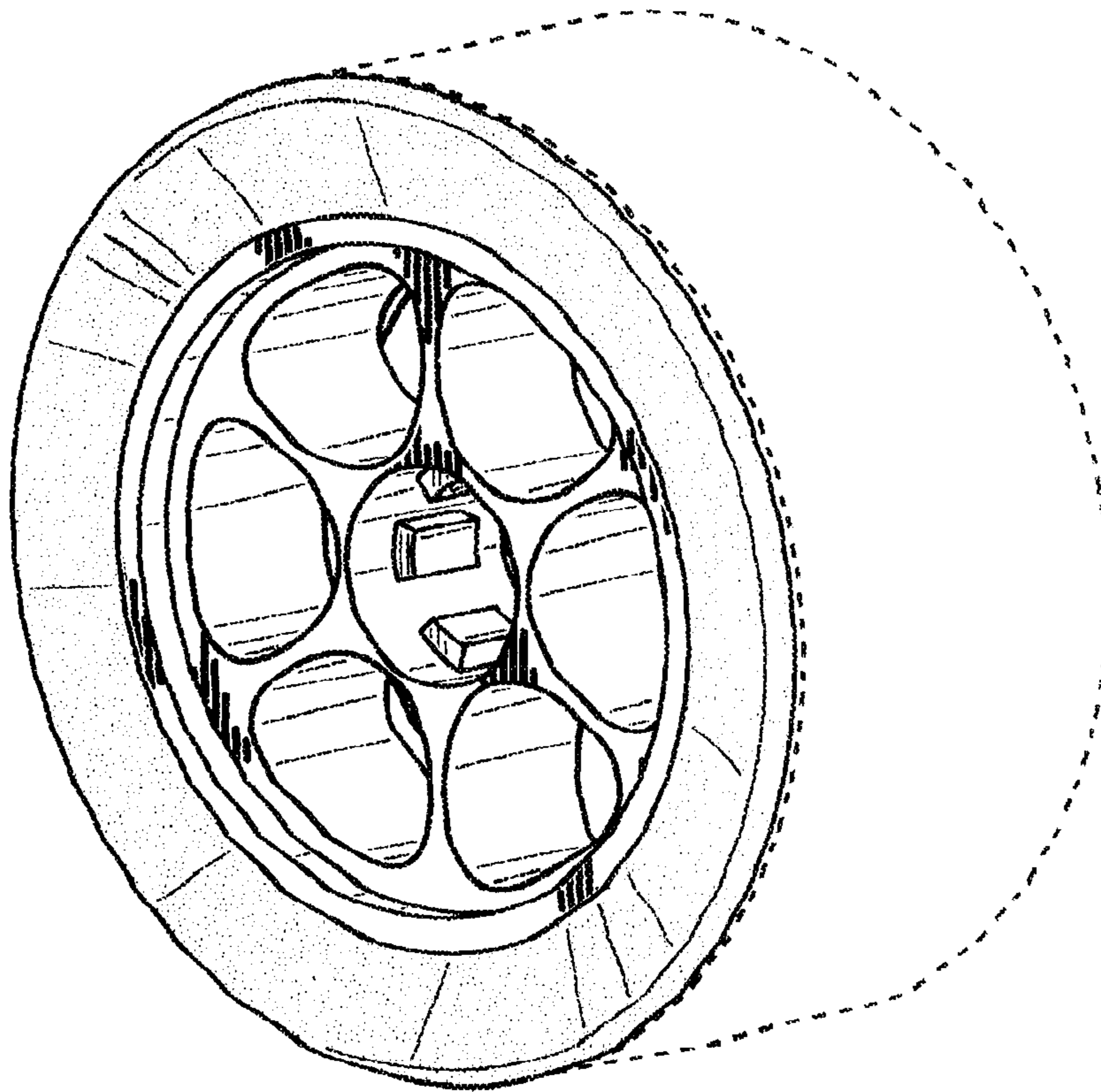


FIG. 1

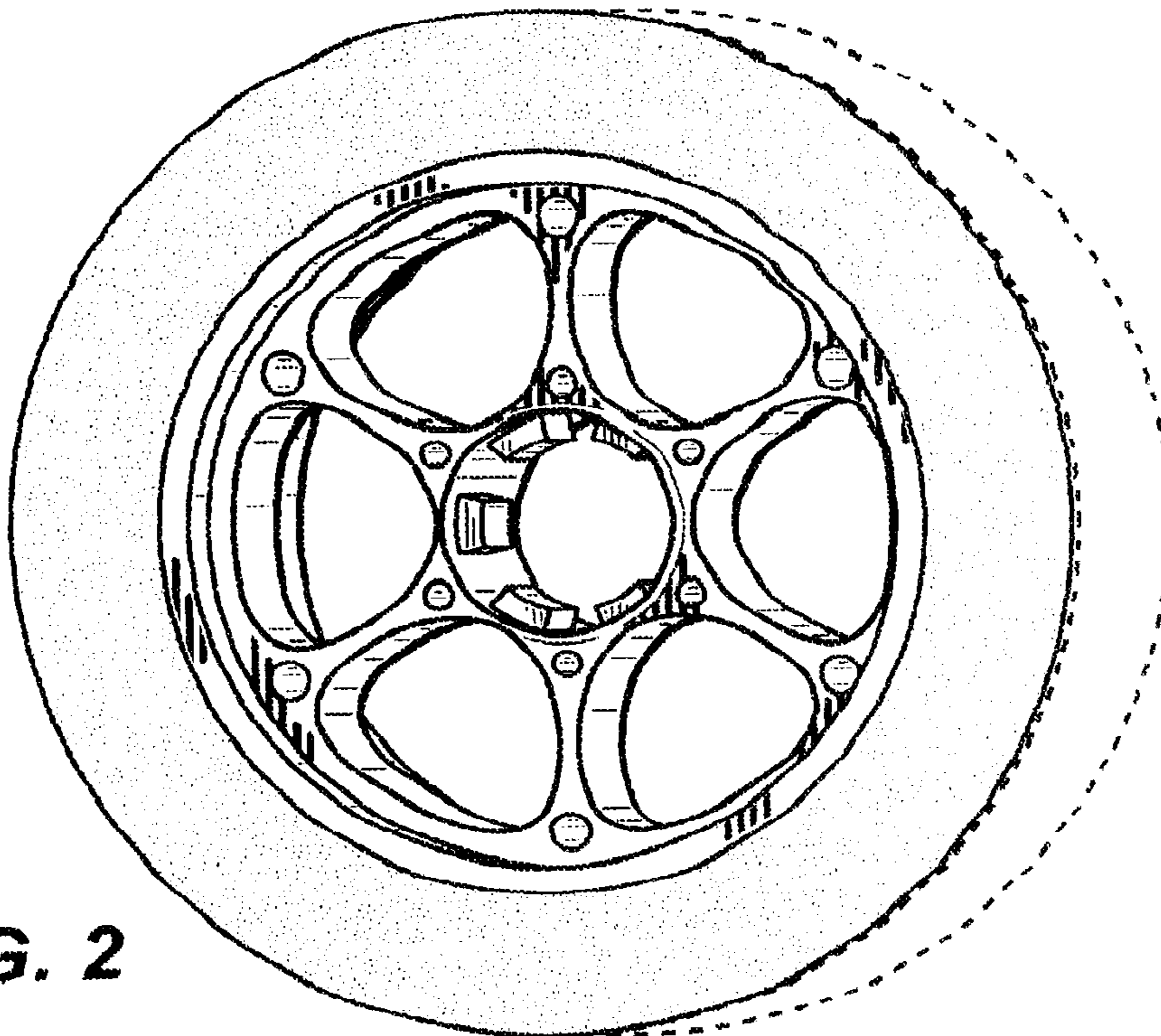


FIG. 2

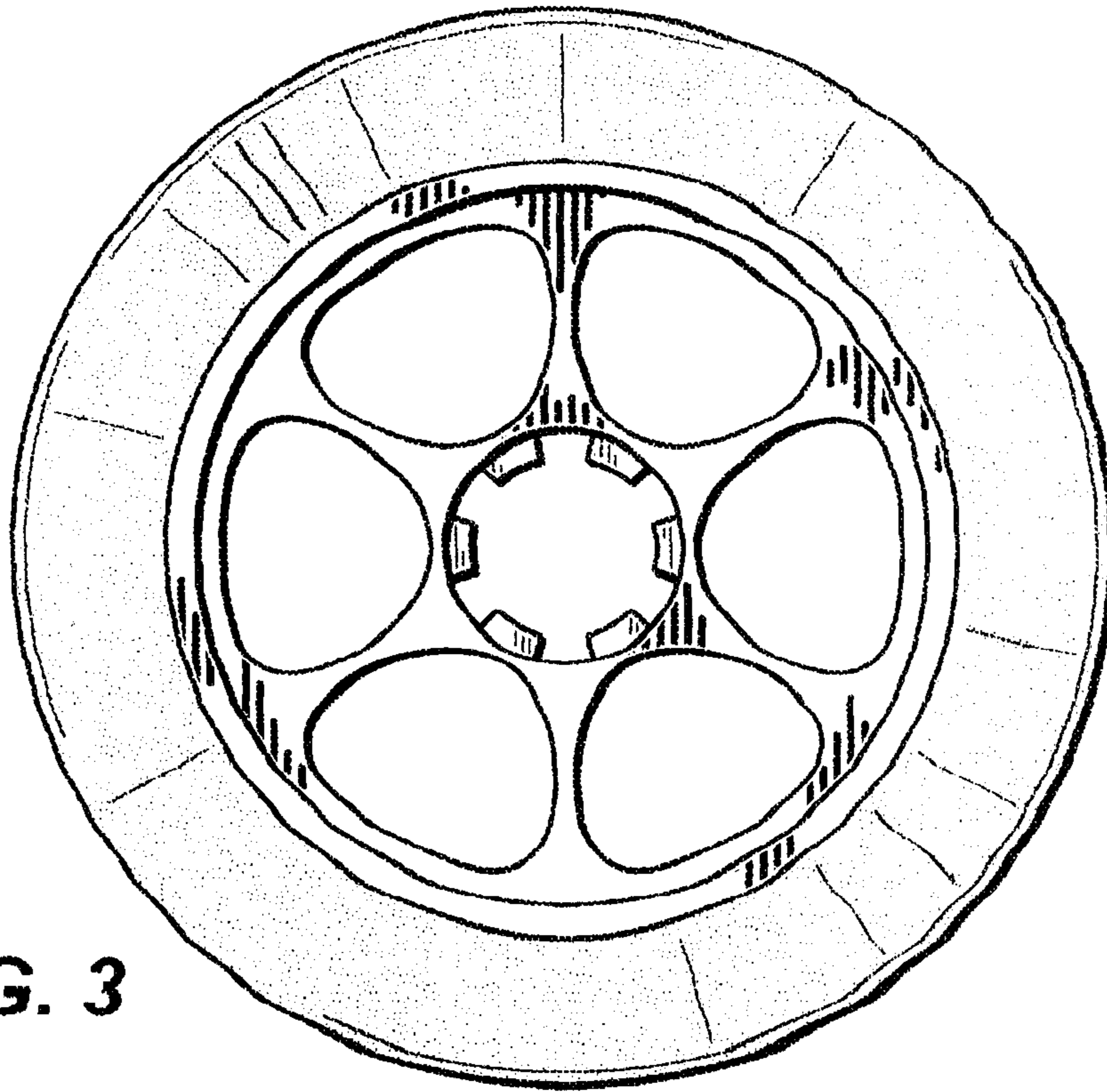


FIG. 3

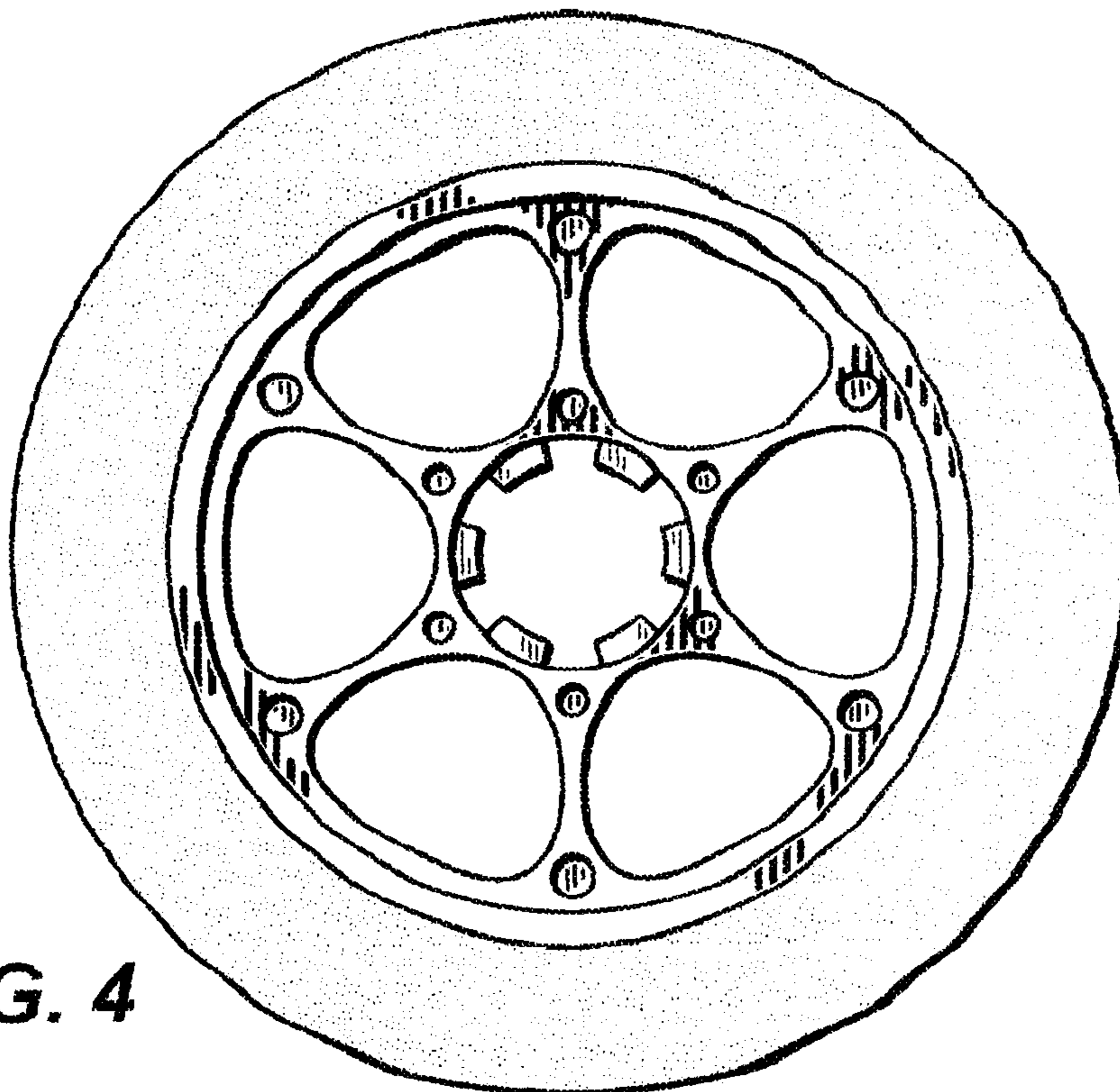


FIG. 4