



US00D588667S

(12) **United States Design Patent**  
**Oldknow**

(10) **Patent No.:** **US D588,667 S**  
(45) **Date of Patent:** **\*\* Mar. 17, 2009**

(54) **GOLF CLUB HEAD**

(75) Inventor: **Andrew G. V. Oldknow**, Portland, OR  
(US)

(73) Assignee: **Nike, Inc.**, Beaverton, OR (US)

(\*\*) Term: **14 Years**

(21) Appl. No.: **29/329,507**

(22) Filed: **Dec. 16, 2008**

(51) **LOC (9) Cl.** ..... **21-02**

(52) **U.S. Cl.** ..... **D21/759**

(58) **Field of Classification Search** ..... D21/747-751,  
D21/759; 473/324-331, 350  
See application file for complete search history.

(56) **References Cited**

**U.S. PATENT DOCUMENTS**

D319,858 S *	9/1991	Antonious	.....	D21/748
D360,925 S *	8/1995	Antonious	.....	D21/748
D361,358 S	8/1995	Simmons		
D377,381 S *	1/1997	Takahashi et al.	.....	D21/748
D383,820 S *	9/1997	Watanabe	.....	D21/749
D394,290 S	5/1998	Best et al.		
D413,369 S	8/1999	Peng		
D417,248 S	11/1999	Matsuo		
D428,635 S *	7/2000	Nagai et al.	.....	D21/759
D435,278 S	12/2000	Reed et al.		
D449,086 S	10/2001	Nagai et al.		
D454,932 S	3/2002	Mahaffey et al.		
D466,576 S *	12/2002	Nagai et al.	.....	D21/759
D466,961 S *	12/2002	Nagai et al.	.....	D21/759
D467,292 S *	12/2002	Saraie et al.	.....	D21/749
D468,382 S	1/2003	Wahl et al.		
D468,788 S	1/2003	Bode et al.		
D469,832 S	2/2003	Bode et al.		
D475,108 S	5/2003	Madore		

D508,722 S *	8/2005	Iwata et al.	.....	D21/759
D516,649 S	3/2006	Imamoto		
D517,146 S *	3/2006	Nishitani	.....	D21/759
D526,036 S *	8/2006	Nishitani	.....	D21/747
D528,178 S	9/2006	Best		
D532,850 S *	11/2006	Oldknow	.....	D21/748
D539,862 S	4/2007	Nunez et al.		
D580,503 S	11/2008	Roach et al.		

**OTHER PUBLICATIONS**

Golfsmith 1996, p. 37, TX 101 Irons.  
Edwin Watts Golf Summer 1998, p. 13, T-Zoid Pro Forged Irons.  
Edwin Watts Golf Internet, Putters, Wilson 16 Control Iron Set.  
Golfsmith Internet, Putters, Titleist 755 Iron Set with Steel Shafts.

\* cited by examiner

*Primary Examiner*—Mitchell I Siegel  
(74) *Attorney, Agent, or Firm*—Banner & Witcoff, Ltd.

(57) **CLAIM**

The ornamental design for a golf club head, as shown and described.

**DESCRIPTION**

FIG. 1 is a rear perspective view of a golf club head showing my new design;

FIG. 2 is a rear view thereof;

FIG. 3 is a bottom view thereof;

FIG. 4 is a heel end view thereof;

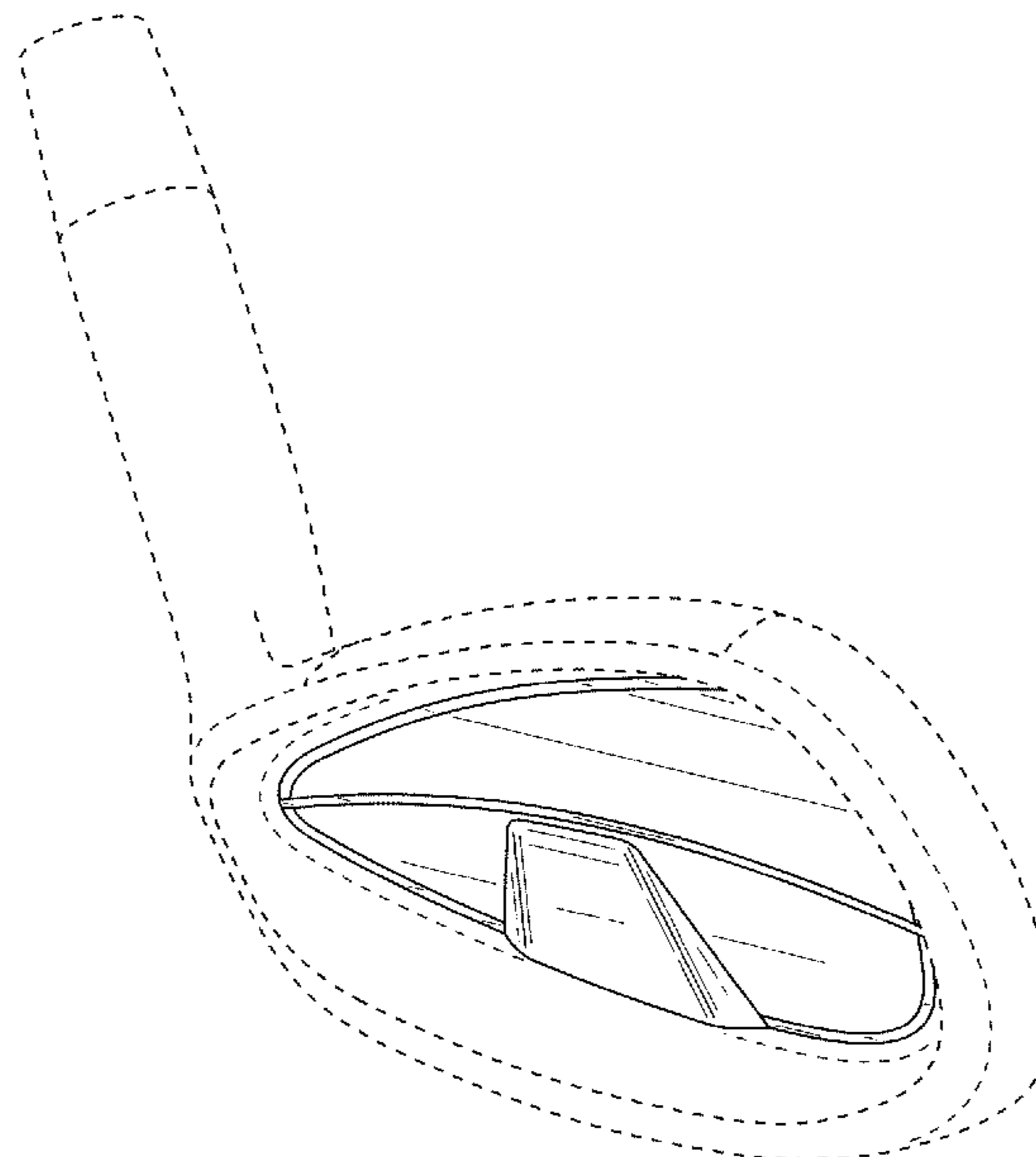
FIG. 5 is a toe end view thereof;

FIG. 6 is a front view thereof; and,

FIG. 7 is a top view thereof.

The broken line showing of the remainder of the golf club head is for environmental purposes only and forms no part of the claimed design.

**1 Claim, 4 Drawing Sheets**



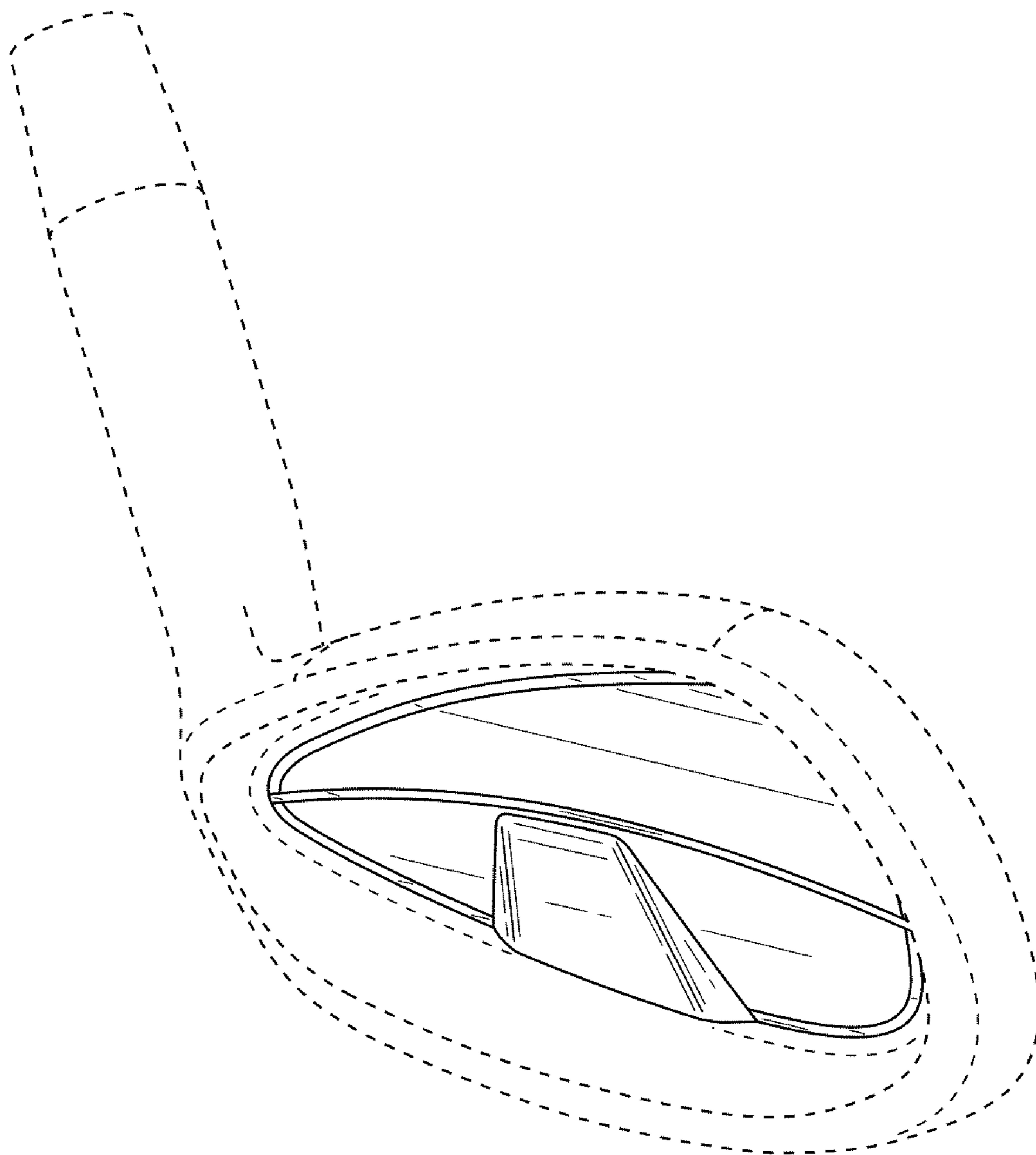


FIG. 1

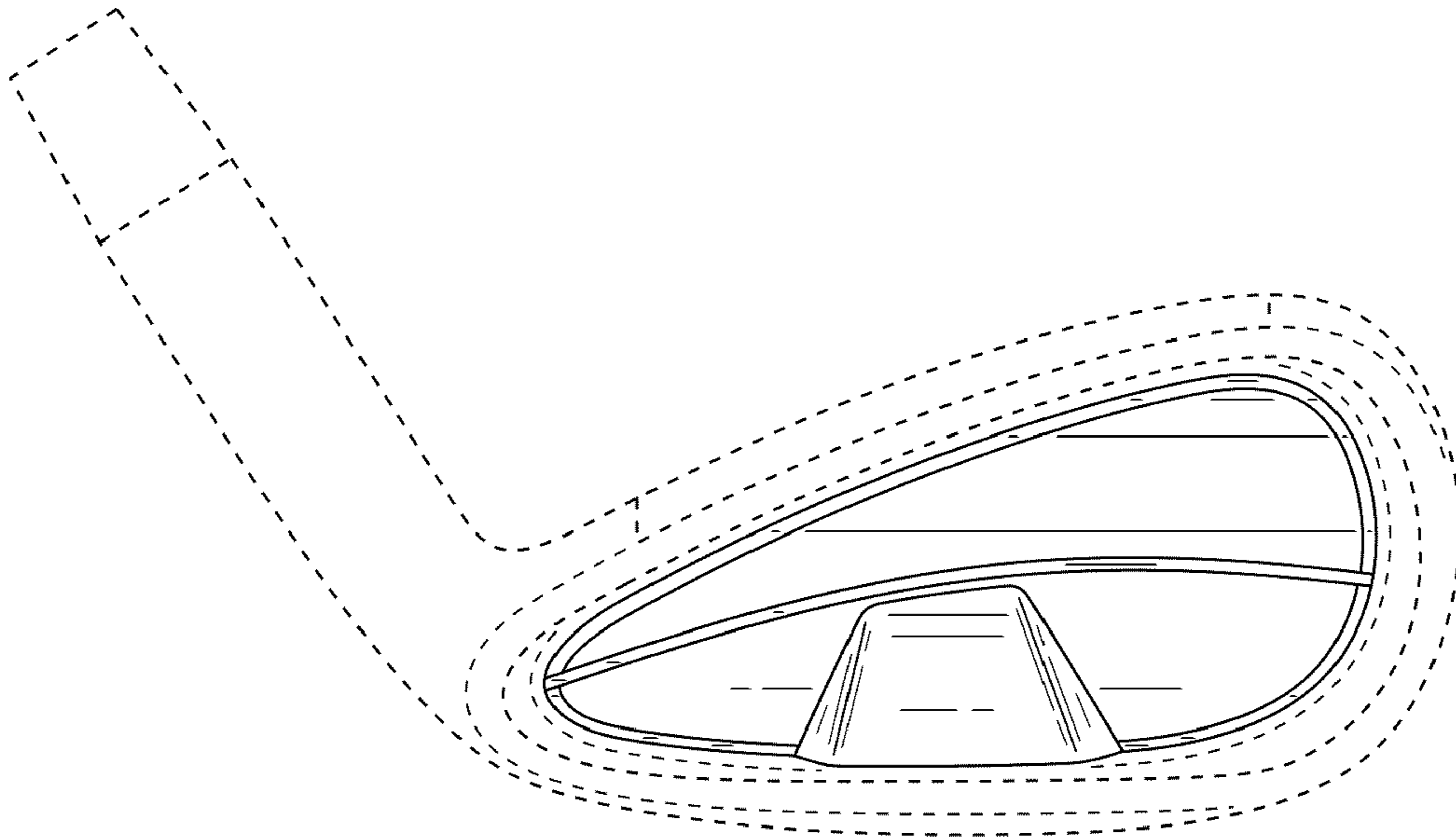


FIG. 2

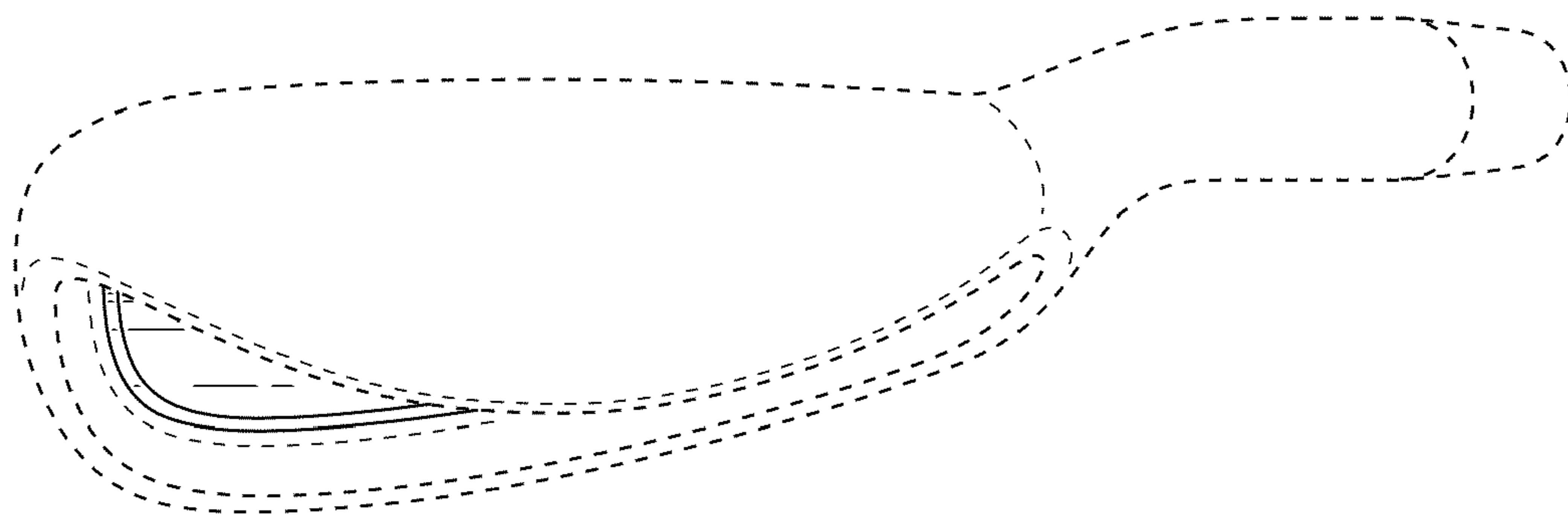


FIG. 3

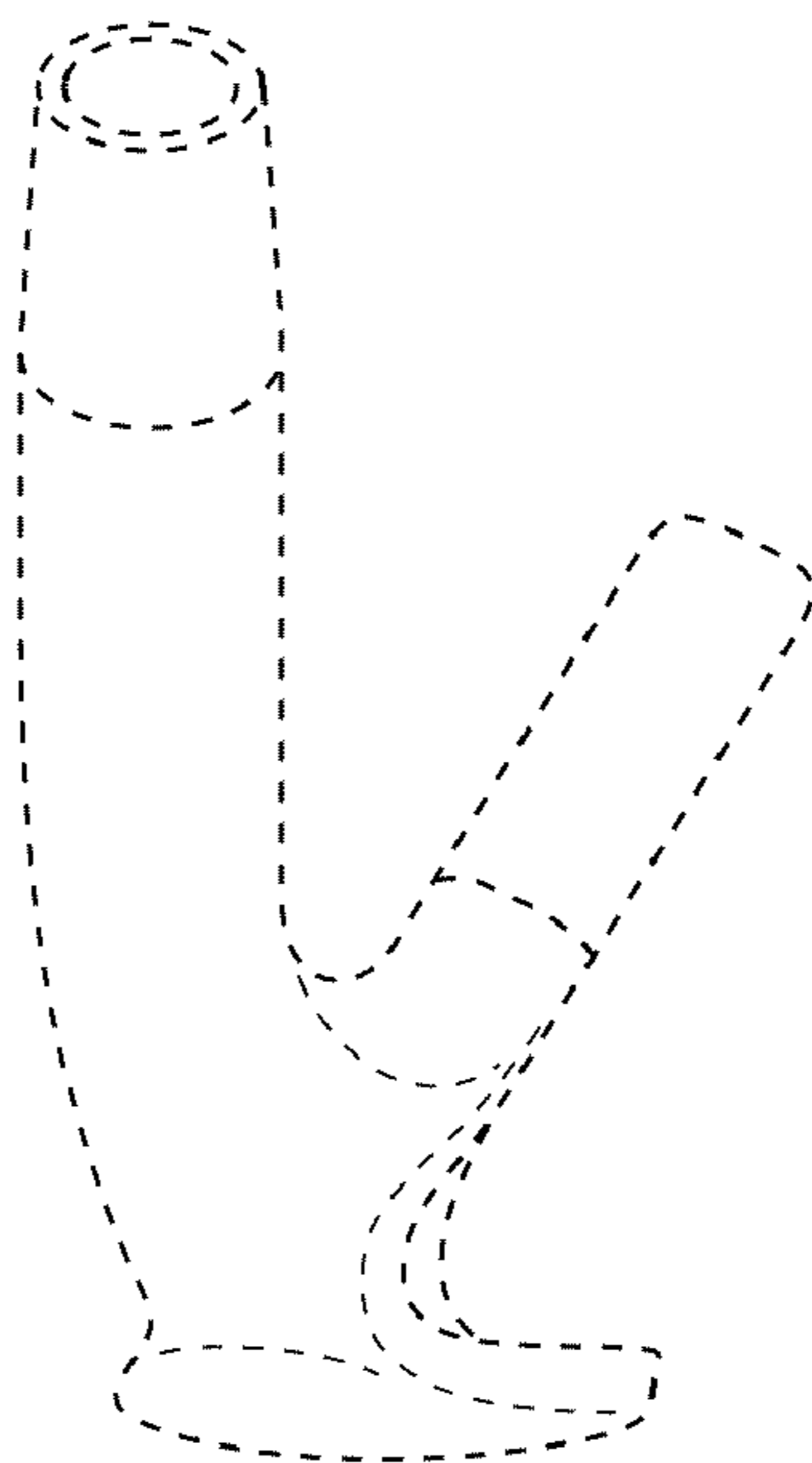


FIG. 4

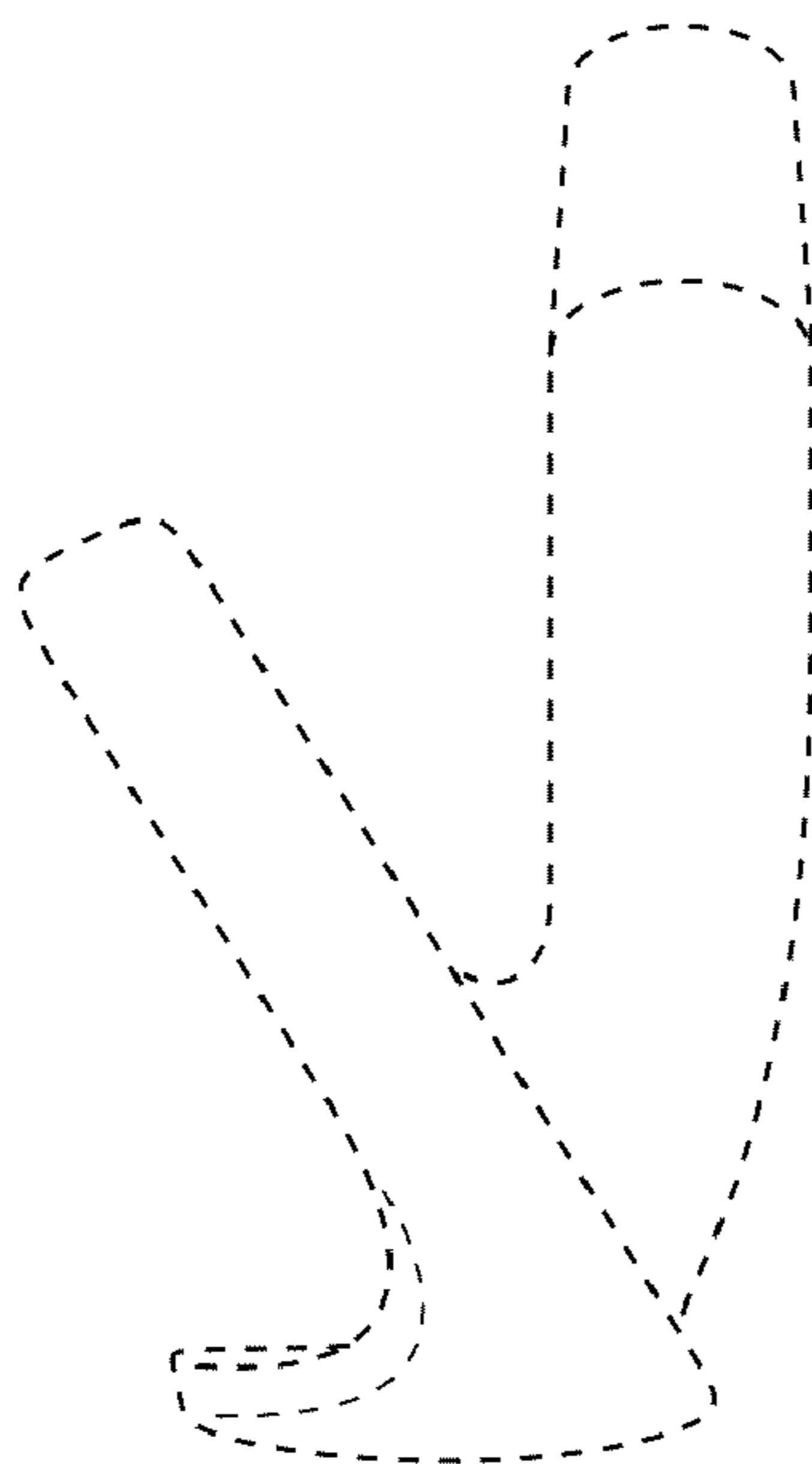


FIG. 5

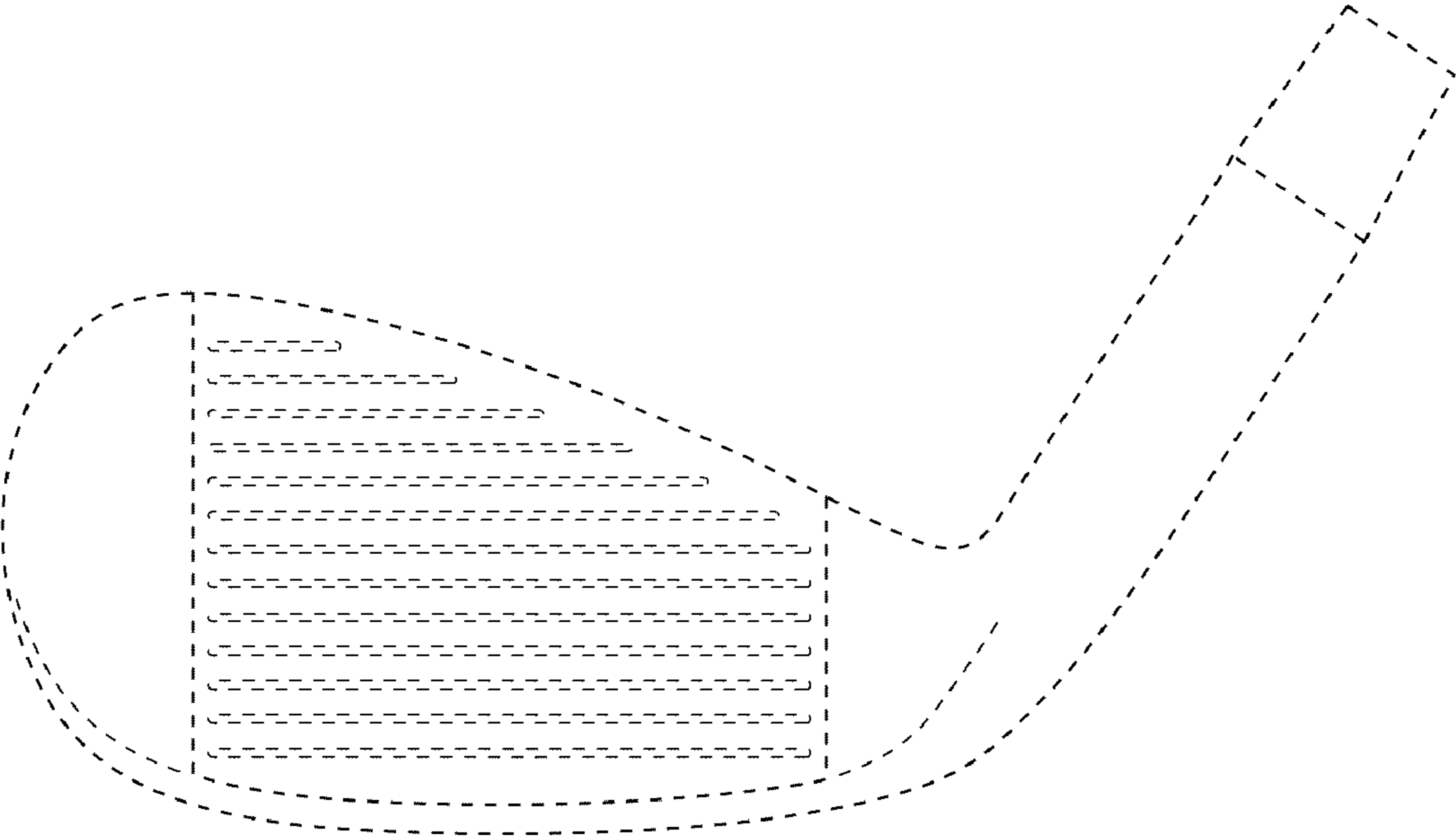


FIG. 6

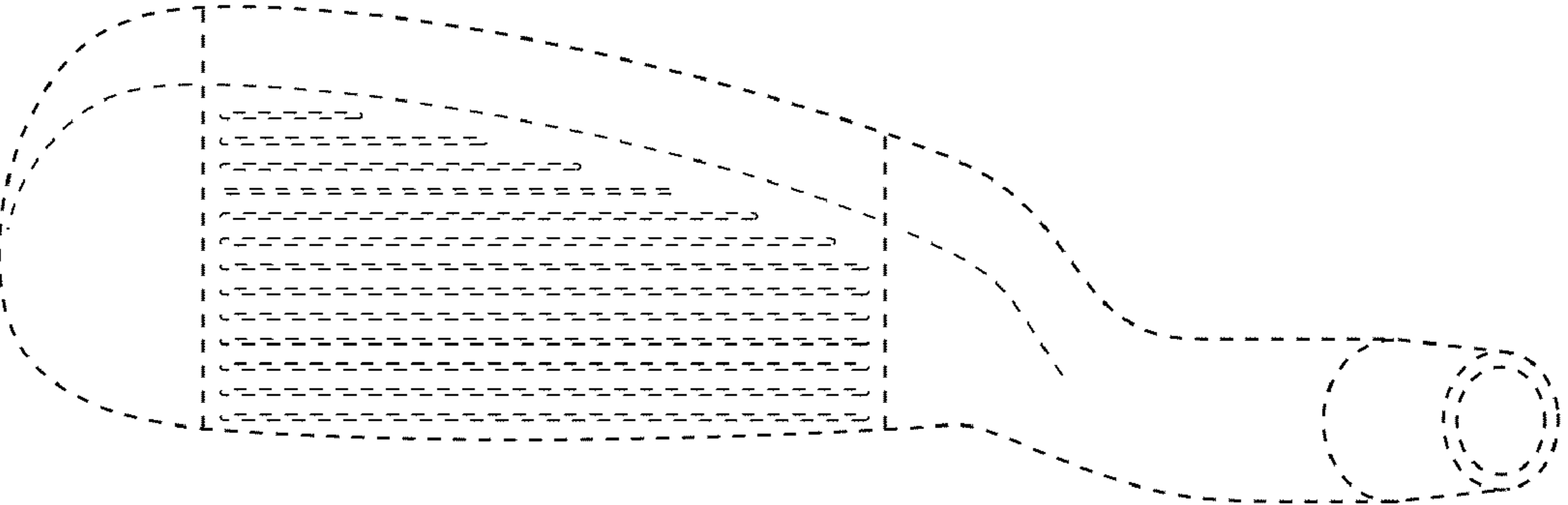


FIG. 7