



US00D588665S

(12) **United States Design Patent**
Takahashi

(10) **Patent No.:** **US D588,665 S**
(45) **Date of Patent:** **** Mar. 17, 2009**

(54) **PUTTER HEAD**

(75) Inventor: **Hiroshi Takahashi**, Chichibu (JP)

(73) Assignee: **Bridgestone Sports Co., Ltd**, Tokyo (JP)

(**) Term: **14 Years**

(21) Appl. No.: **29/305,419**

(22) Filed: **Mar. 20, 2008**

(30) **Foreign Application Priority Data**

Oct. 15, 2007 (JP) 2007-028217

(51) **LOC (9) Cl.** **21-02**

(52) **U.S. Cl.** **D21/759**

(58) **Field of Classification Search** D21/736-746,
D21/759; 473/324-331, 340-341
See application file for complete search history.

(56) **References Cited**

U.S. PATENT DOCUMENTS

D351,443 S	10/1994	Caugh et al.	
D385,935 S *	11/1997	Cameron	D21/759
D389,207 S	1/1998	Cameron	
D428,088 S *	7/2000	Cameron et al.	D21/759
D466,173 S *	11/2002	Sizemore, Jr.	D21/759
D478,142 S *	8/2003	Toulon et al.	D21/759
D485,331 S	1/2004	Lin	
D500,823 S *	1/2005	Aldrich	D21/759
D508,723 S *	8/2005	Rollinson et al.	D21/759
D533,613 S *	12/2006	Byrne et al.	D21/759
D533,913 S *	12/2006	Byrne et al.	D21/759
D537,898 S *	3/2007	Kuan et al.	D21/759
D548,299 S *	8/2007	Nguyen et al.	D21/759

D552,699 S *	10/2007	Rollinson	D21/759
D552,700 S *	10/2007	Rollinson	D21/759
D553,702 S *	10/2007	Frame et al.	D21/759

FOREIGN PATENT DOCUMENTS

JP	488476	11/1978
JP	488476 S	11/1978
JP	1084113 S	6/2000
JP	1084113 S	9/2000

* cited by examiner

Primary Examiner—Mitchell Siegel

(74) *Attorney, Agent, or Firm*—Sughrue Mion, PLLC

(57) **CLAIM**

The ornamental design for putter head, as shown and described.

DESCRIPTION

FIG. 1 is a perspective view of putter head embodying my new design;

FIG. 2 is a front view thereof;

FIG. 3 is a rear view thereof;

FIG. 4 is a left side view thereof;

FIG. 5 is a right side view thereof;

FIG. 6 is a top plan view thereof;

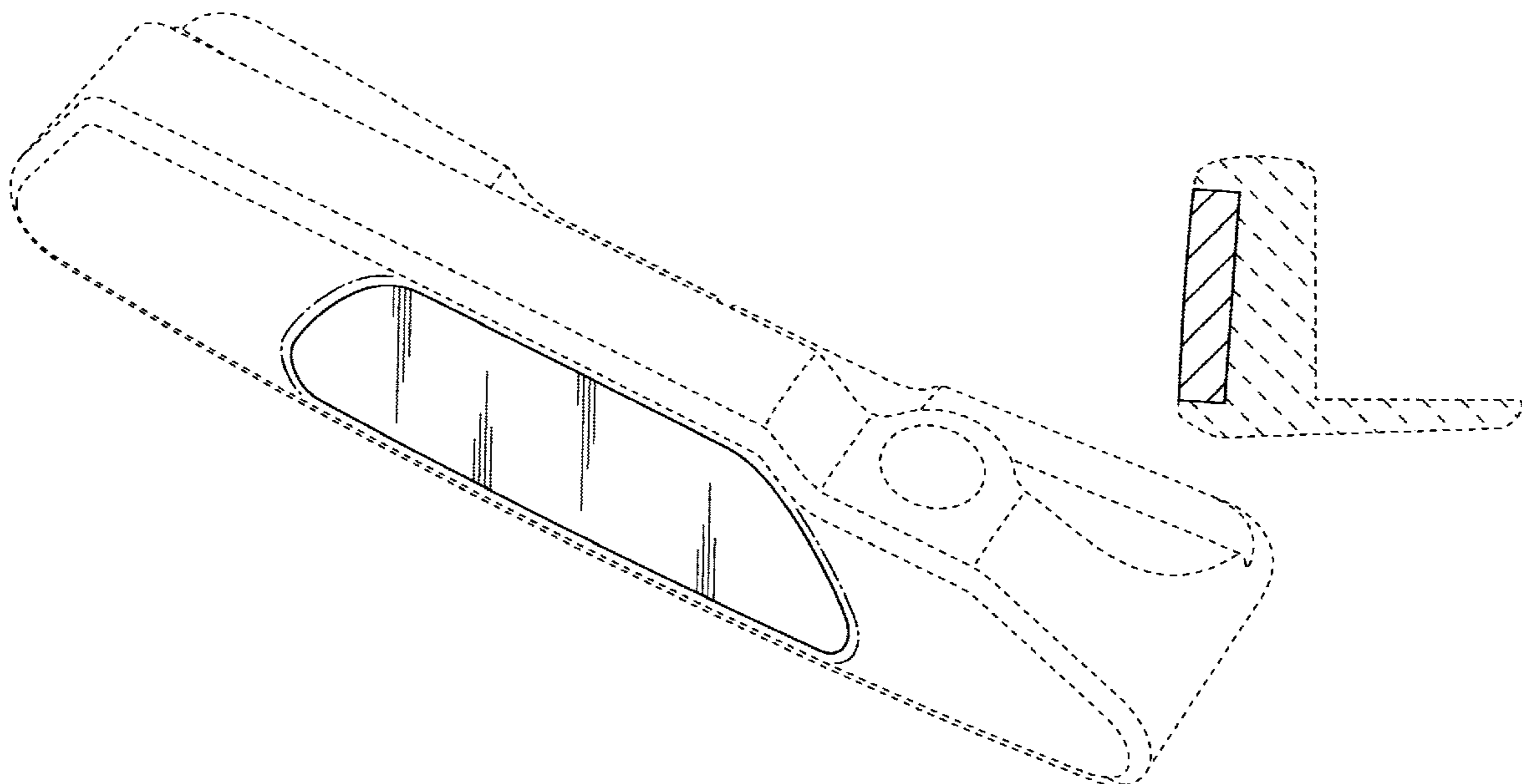
FIG. 7 is a bottom view thereof;

FIG. 8 is a sectional view taken in line 8—8 of FIG. 2; and,

FIG. 9 is a partially enlarged front view thereof.

The broken line showing is included for the purpose of illustrating and forms no part of the claimed design.

1 Claim, 5 Drawing Sheets



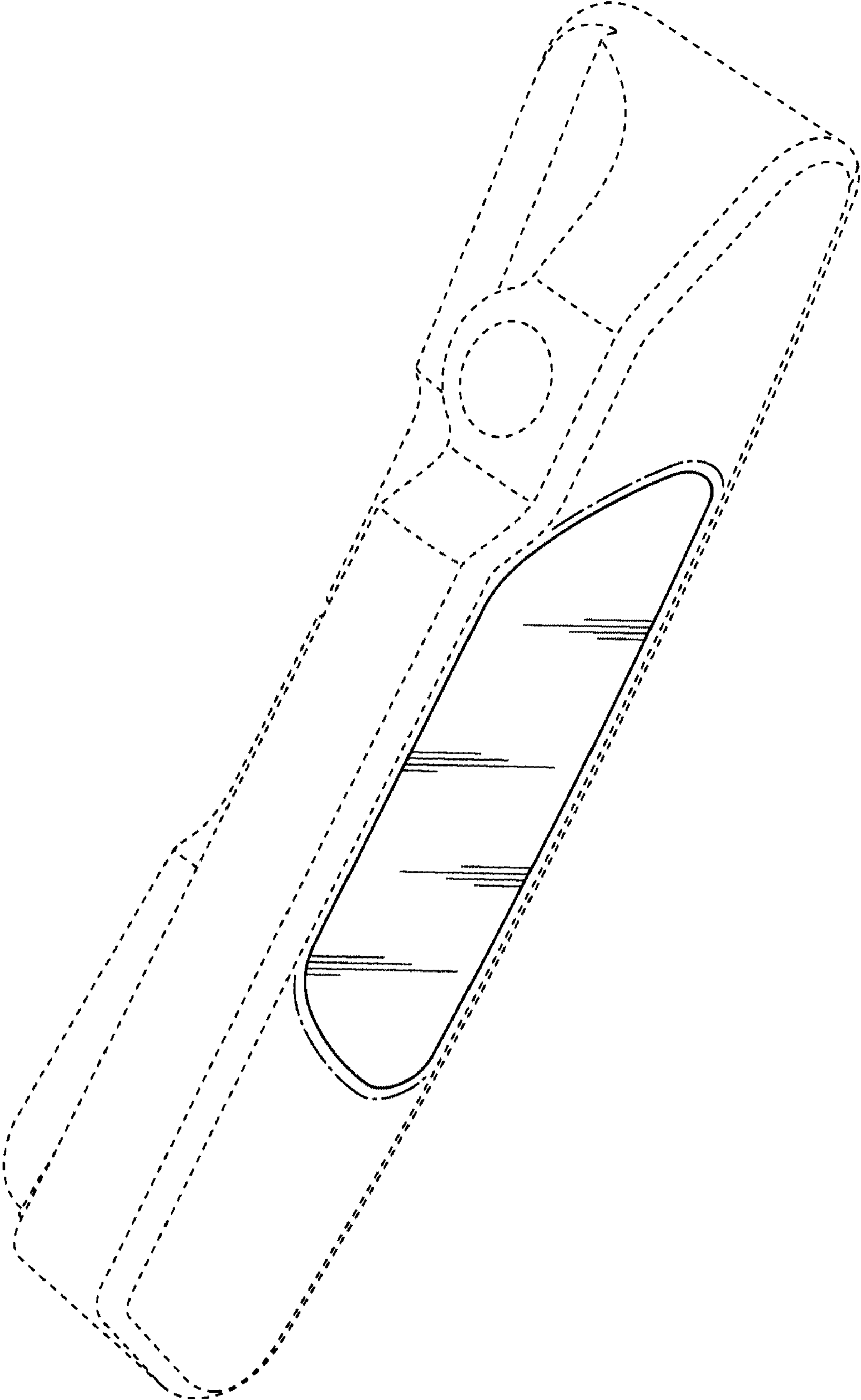


FIG. 1

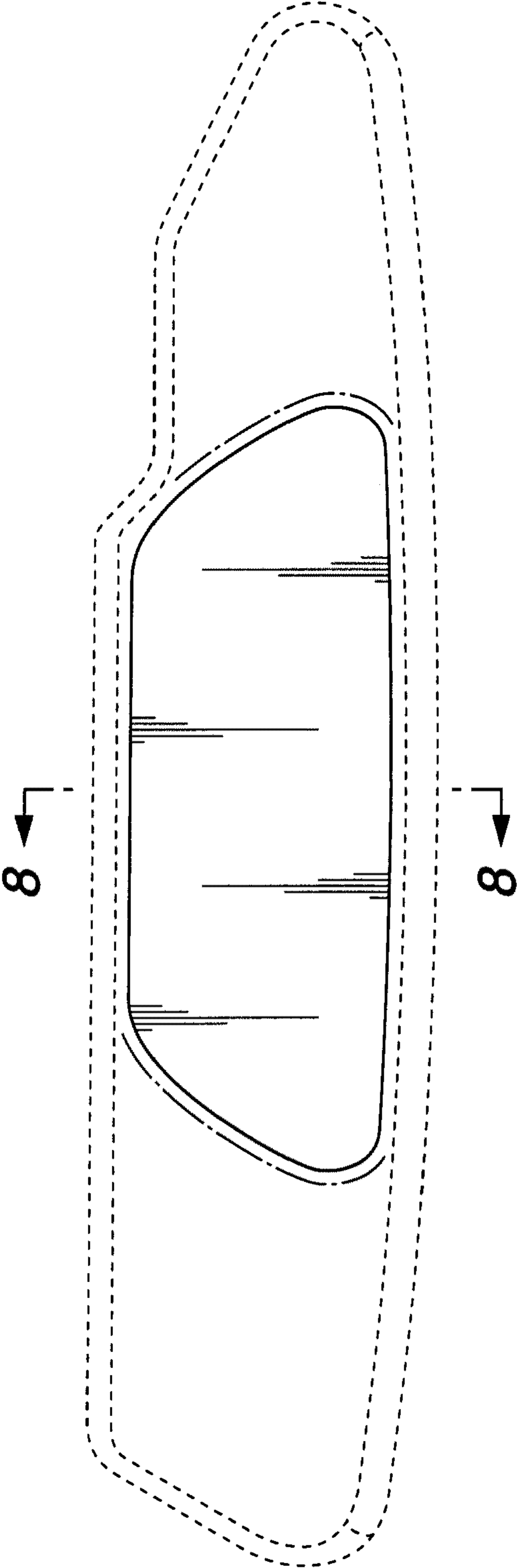


FIG. 2

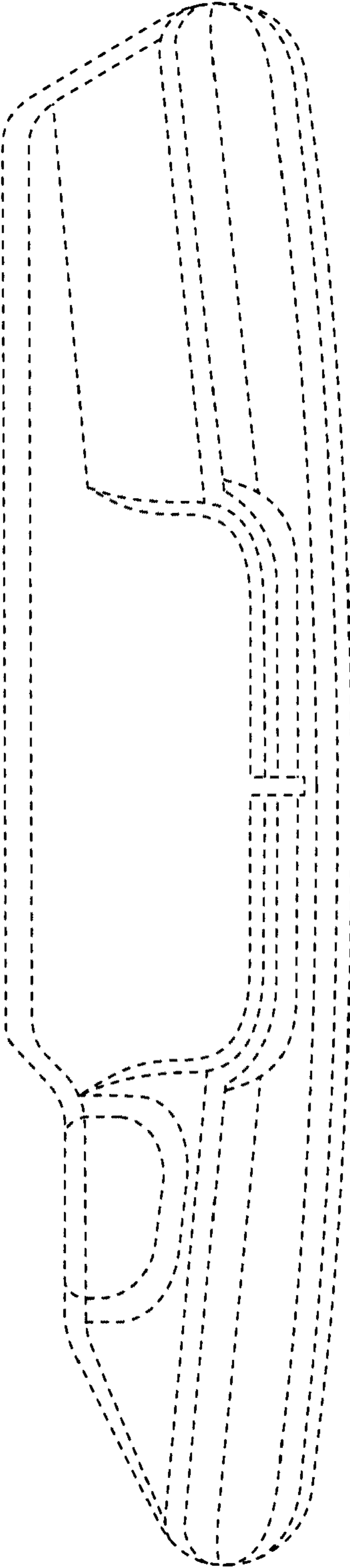


FIG. 3

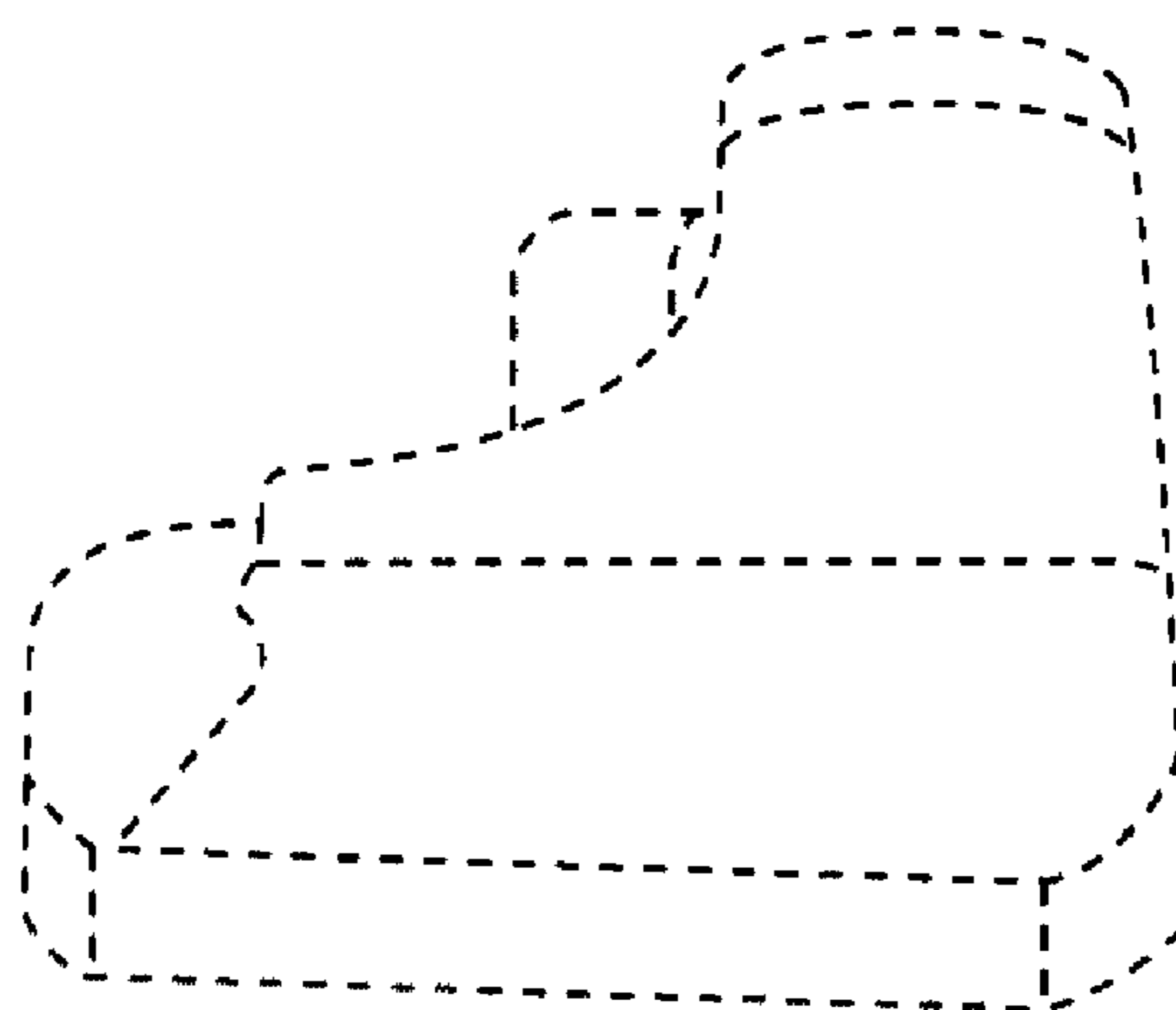


FIG. 4

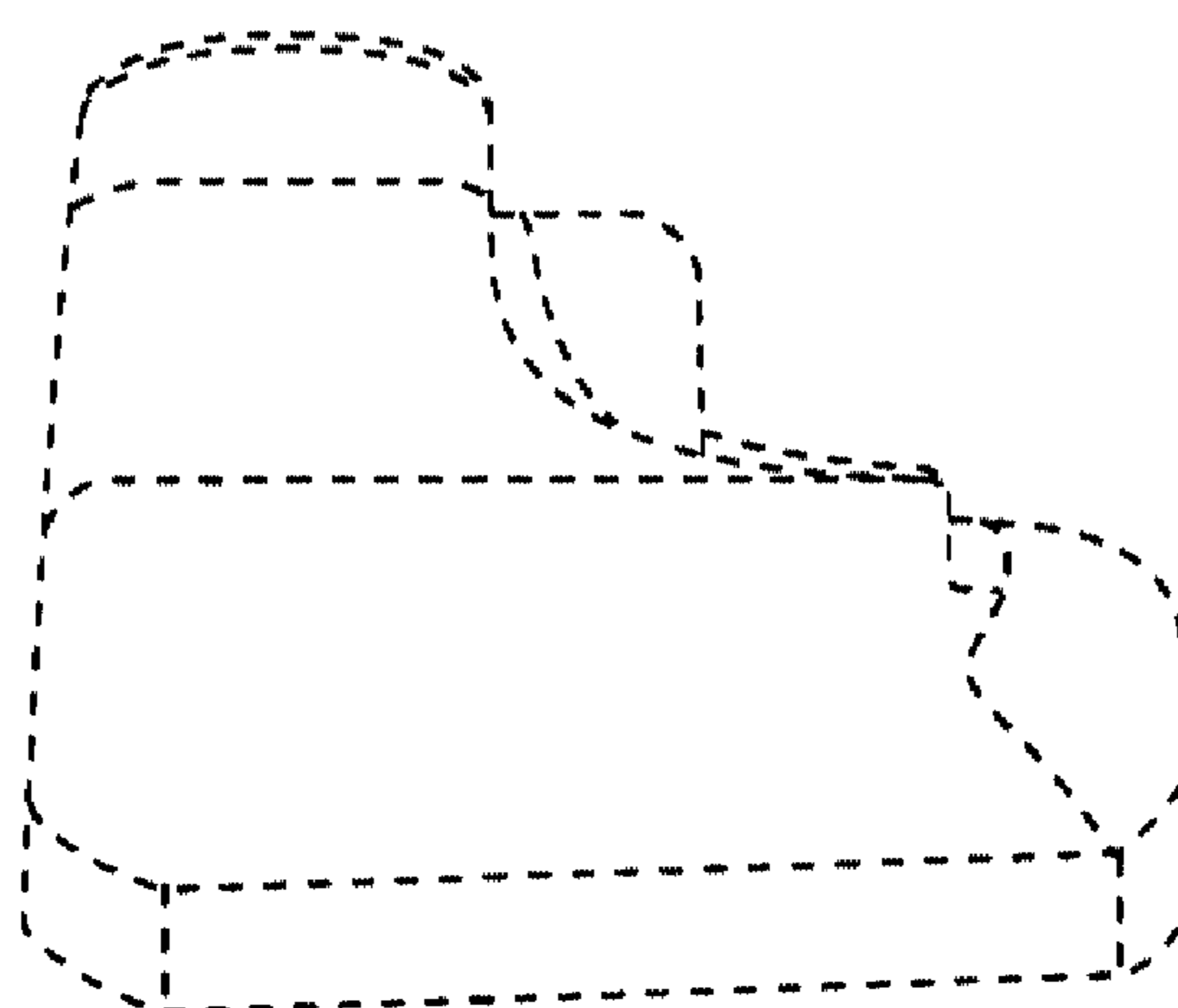


FIG. 5

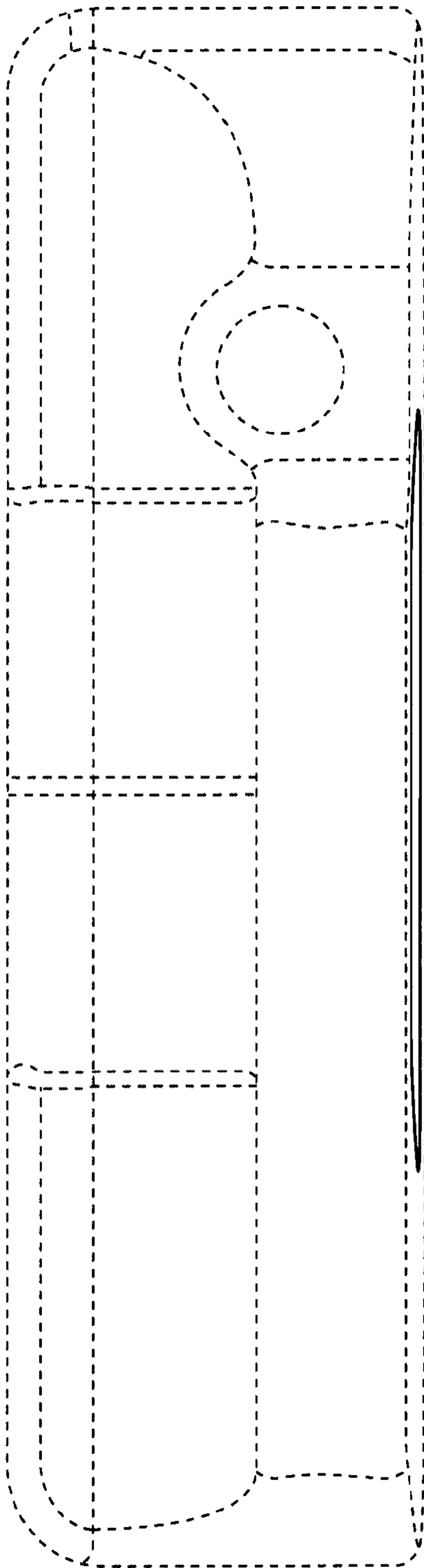


FIG. 6

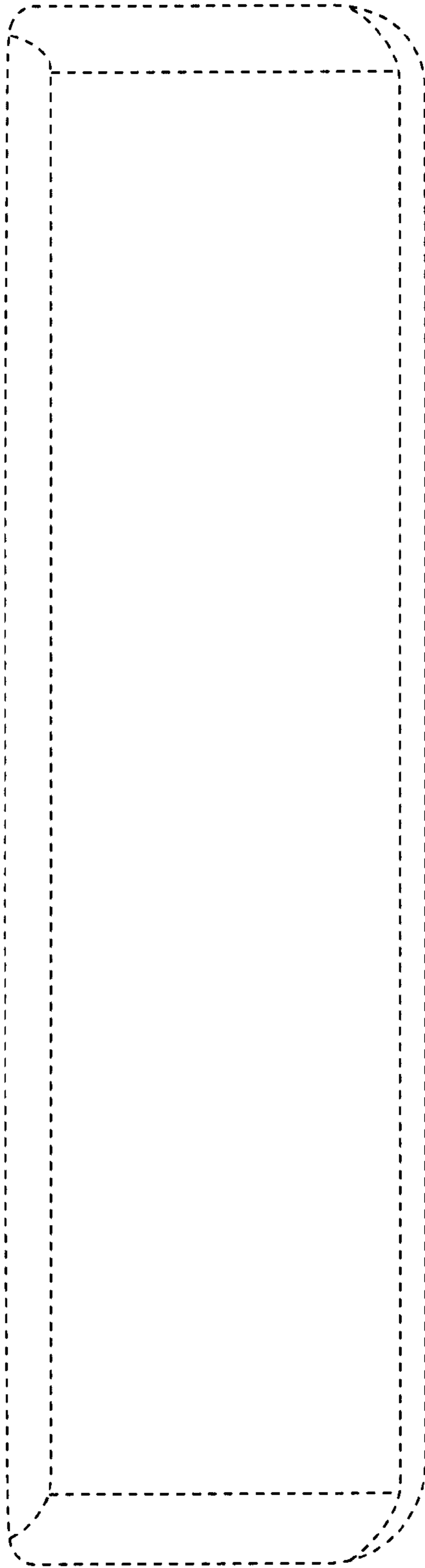


FIG. 7

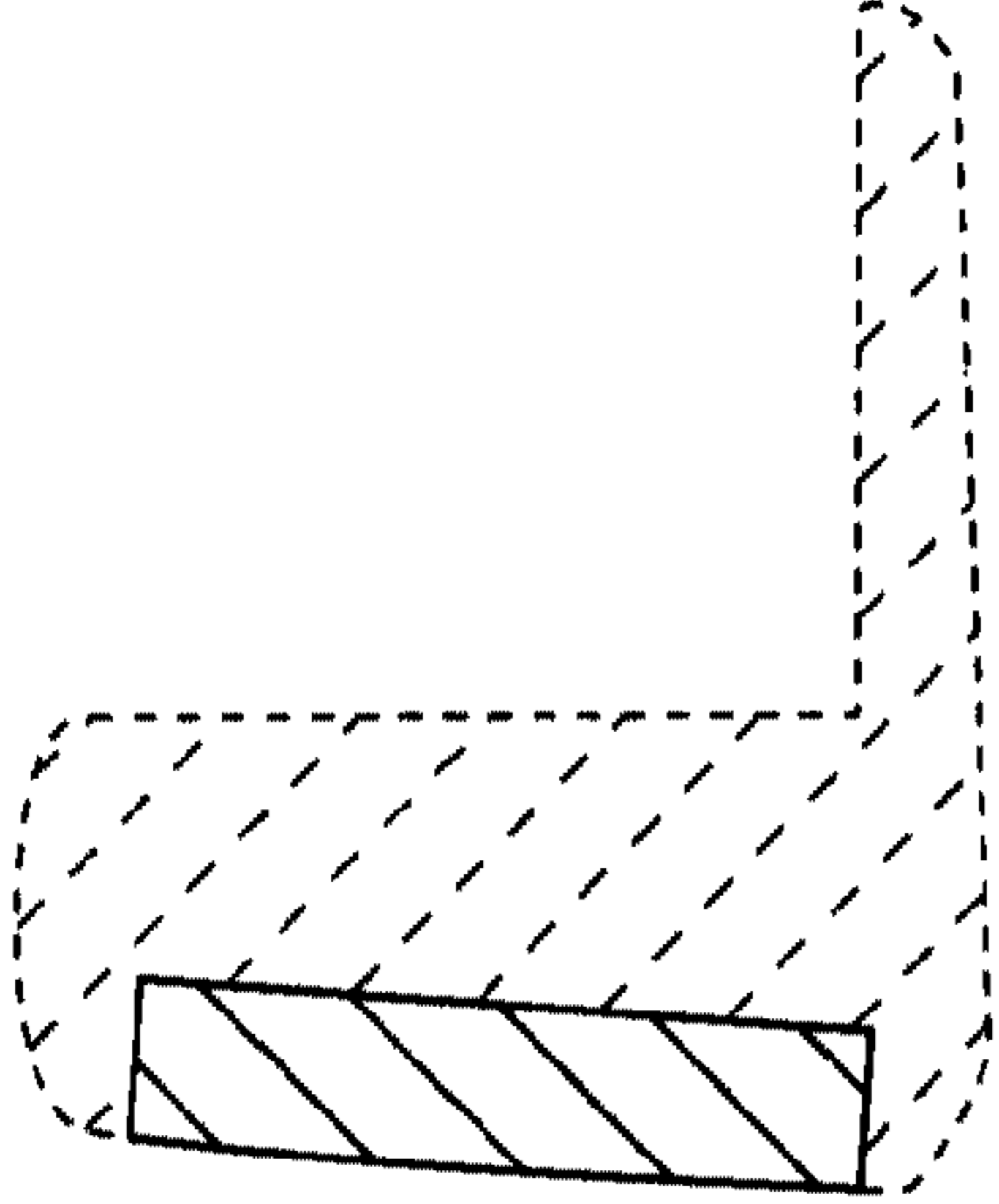


FIG. 8

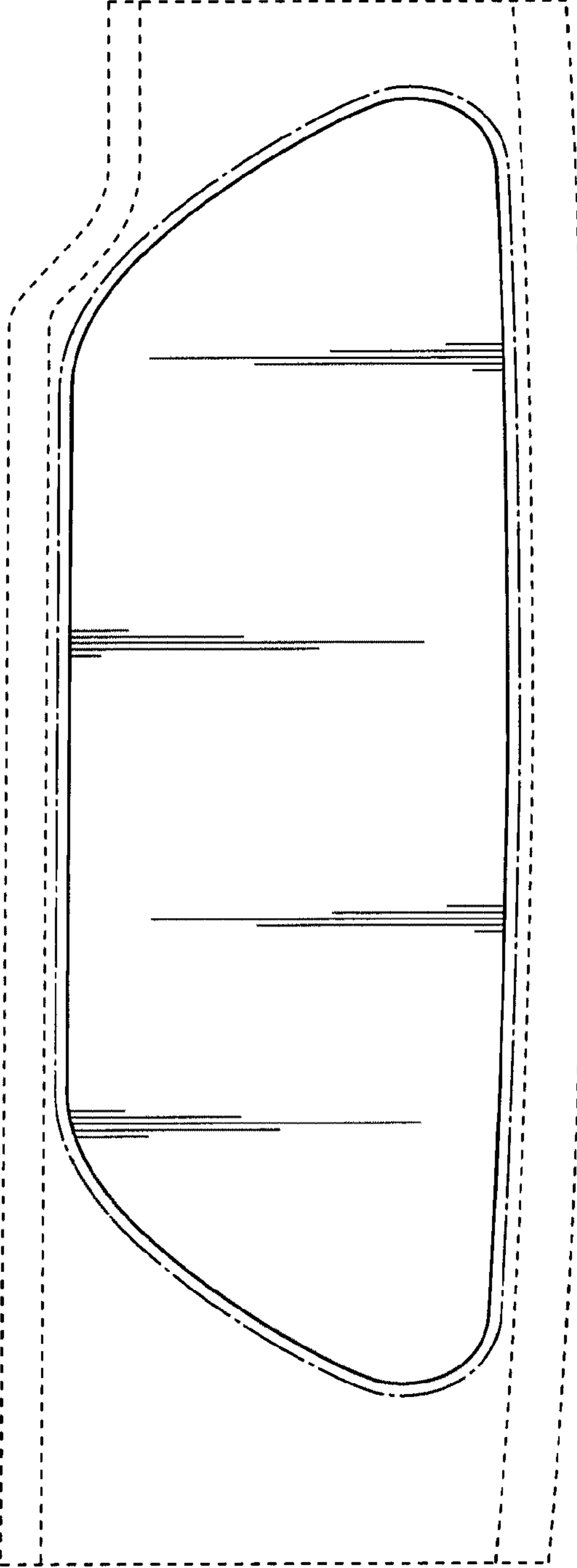


FIG. 9