



US00D588664S

(12) **United States Design Patent**
Lee

(10) **Patent No.:** **US D588,664 S**
(45) **Date of Patent:** **** Mar. 17, 2009**

(54) **PART FOR AN EXCHANGEABLE HOSEL ASSEMBLY FOR A GOLF CLUB**

Primary Examiner—Mitchell I Siegel
(74) *Attorney, Agent, or Firm*—Fay Sharpe LLP

(75) Inventor: **Michael Lee**, Chino Hills, CA (US)

(57) **CLAIM**

(73) Assignee: **Nickent Golf, Inc.**, City of Industry, CA (US)

The ornamental design for a part for an exchangeable hosel assembly for a golf club, as shown and described.

(**) Term: **14 Years**

DESCRIPTION

(21) Appl. No.: **29/302,803**

FIG. 1 is a perspective view of an upper end of a part for an exchangeable hosel assembly for a golf club head;

(22) Filed: **Jan. 24, 2008**

FIG. 2 is a perspective view of a lower end of the part shown in FIG. 1;

(51) **LOC (9) Cl.** **21-02**

(52) **U.S. Cl.** **D21/759**

(58) **Field of Classification Search** D21/753,
D21/759, 789; 473/246, 306–311
See application file for complete search history.

FIG. 3 is a side view of the part shown in FIG. 1;

FIG. 4 is a plan view of the upper end of the part shown in FIG. 1;

(56) **References Cited**

U.S. PATENT DOCUMENTS

D393,678	S *	4/1998	Jones et al.	D21/759
D434,822	S *	12/2000	Jacobson et al.	D21/759
6,273,828	B1 *	8/2001	Wood et al.	473/246
6,352,482	B1 *	3/2002	Jacobson et al.	473/310
6,547,673	B2 *	4/2003	Roark	473/239
6,620,053	B2 *	9/2003	Tseng	473/297
6,769,996	B2 *	8/2004	Tseng	473/306
6,890,269	B2	5/2005	Burrows		
7,083,529	B2 *	8/2006	Cackett et al.	473/309

FIG. 5 is a side view of the part opposite of that shown in FIG. 3;

FIG. 6 is a plan view of the lower end of the part shown in FIG. 1;

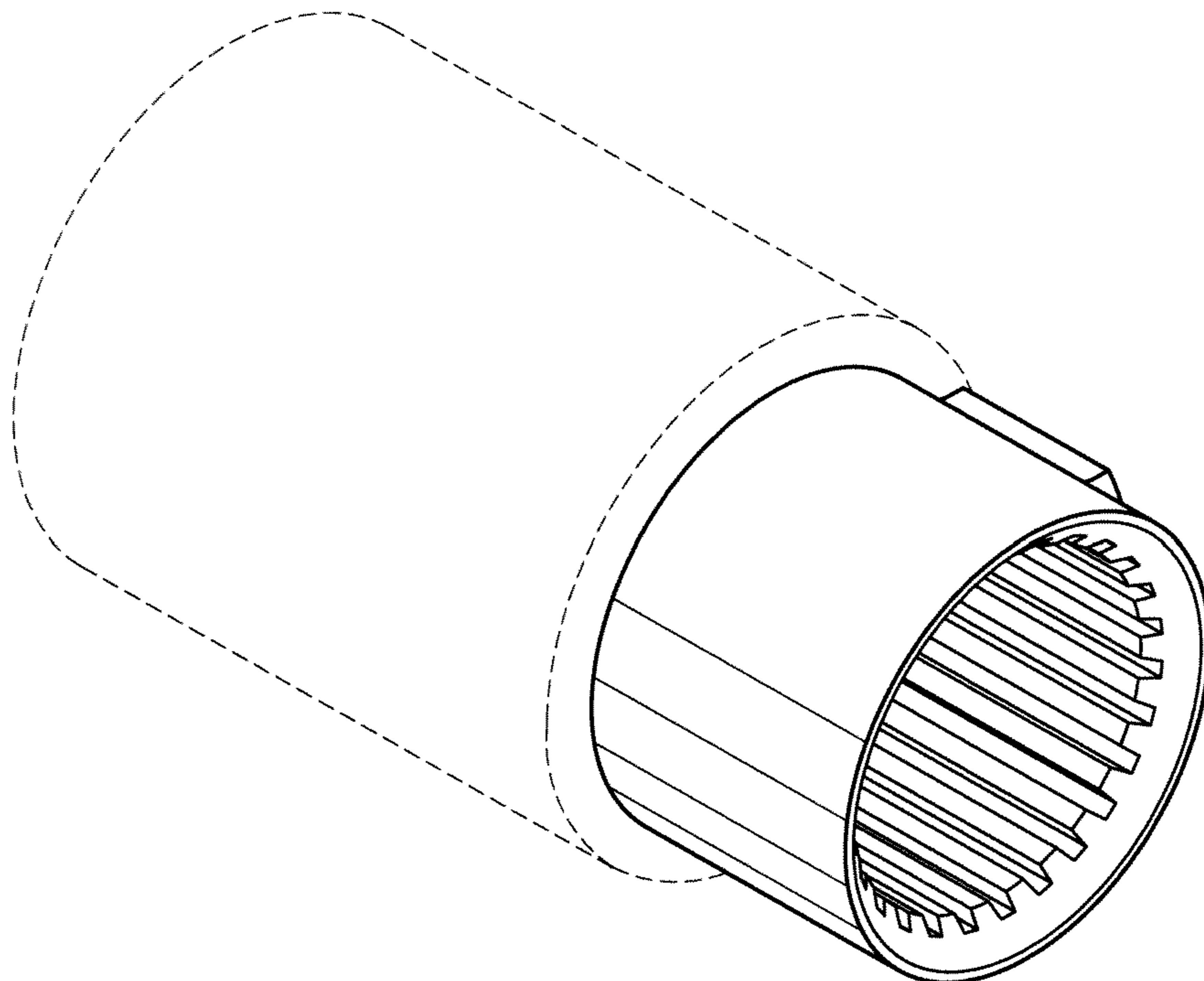
FIG. 7 is another side view of the part shown in FIG. 1; and,

FIG. 8 is another side view of the part opposite of that shown in FIG. 7.

The broken line showing is included for the purpose of illustrating and forms no part of the claimed design.

* cited by examiner

1 Claim, 3 Drawing Sheets



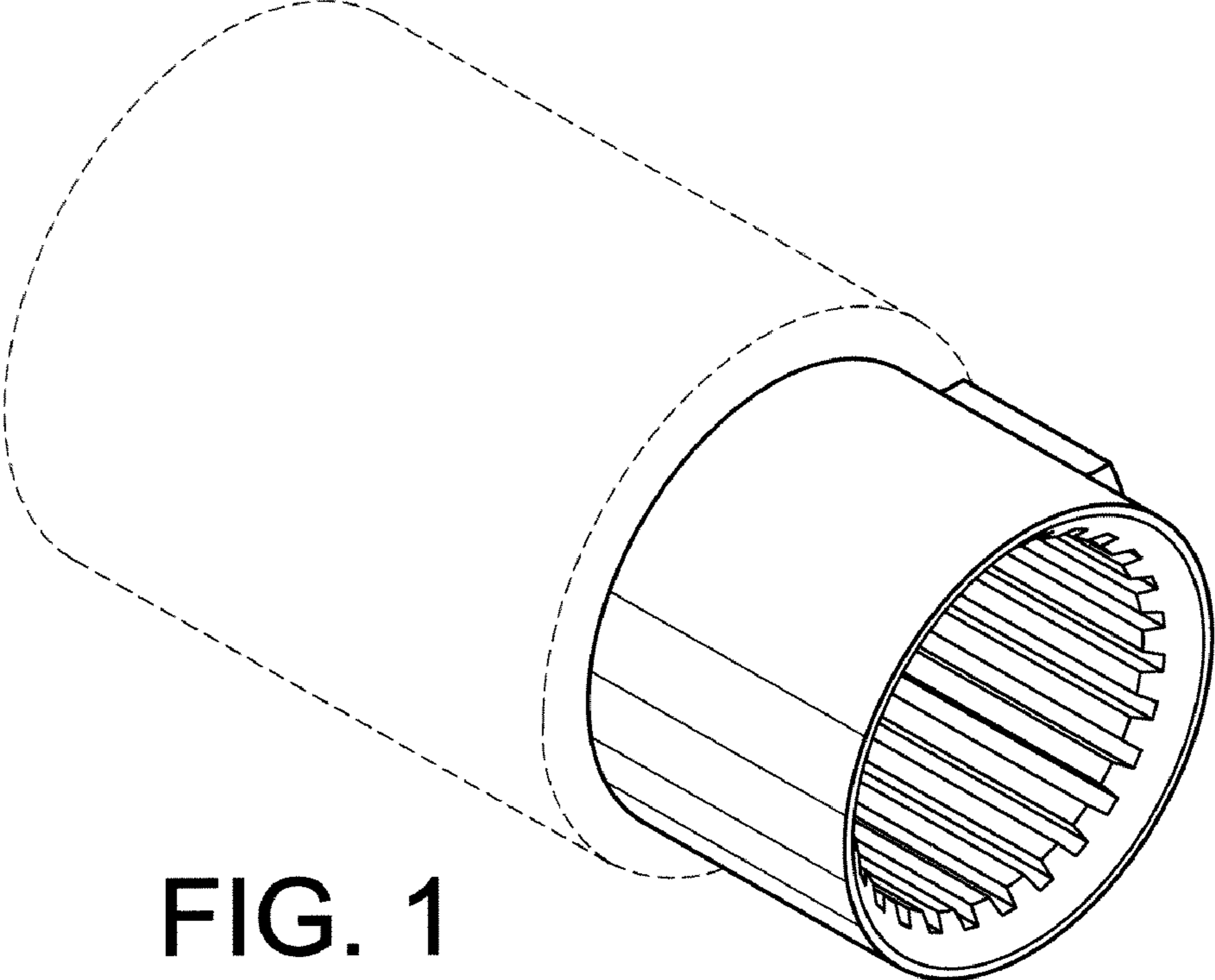


FIG. 1

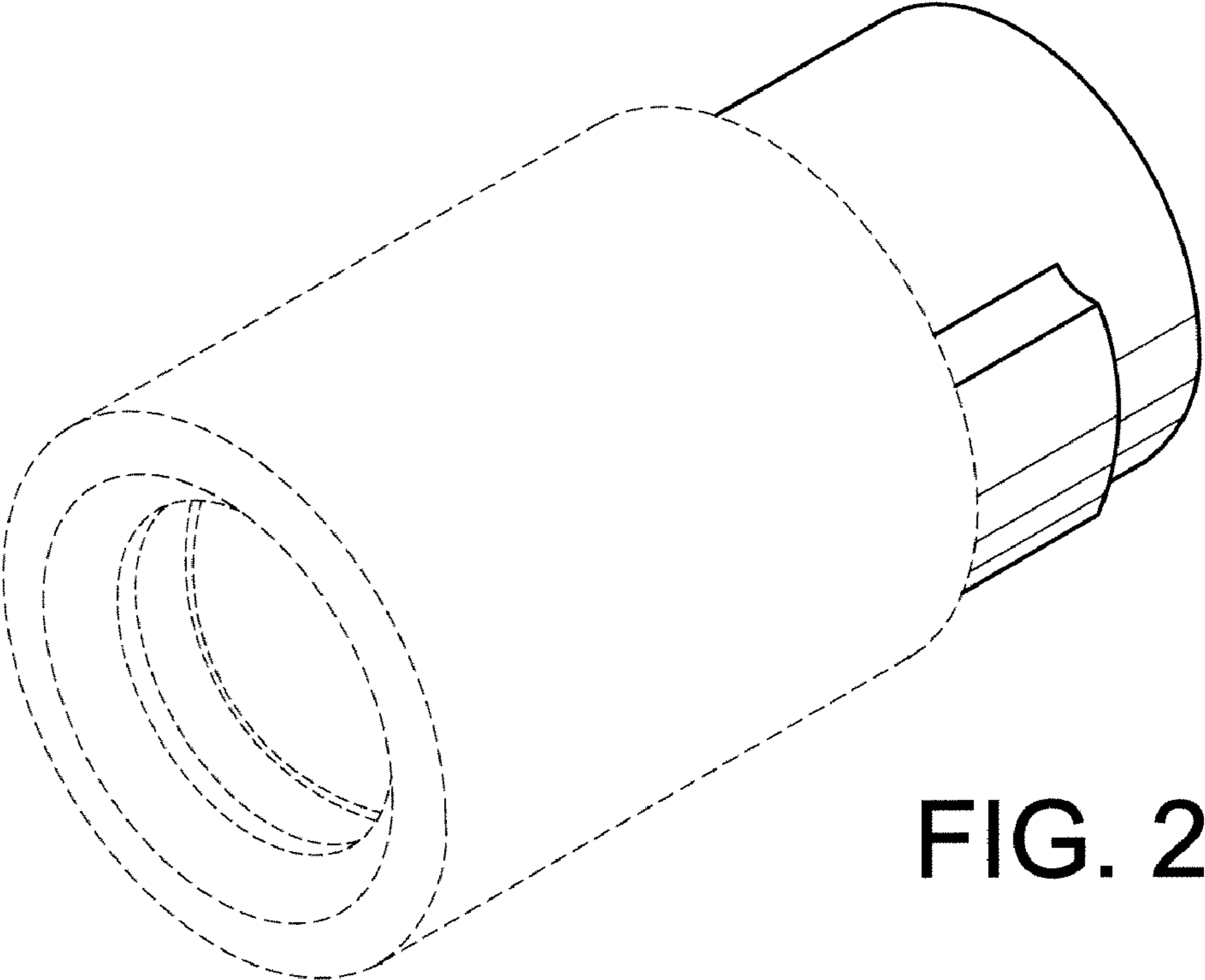


FIG. 2

FIG. 3

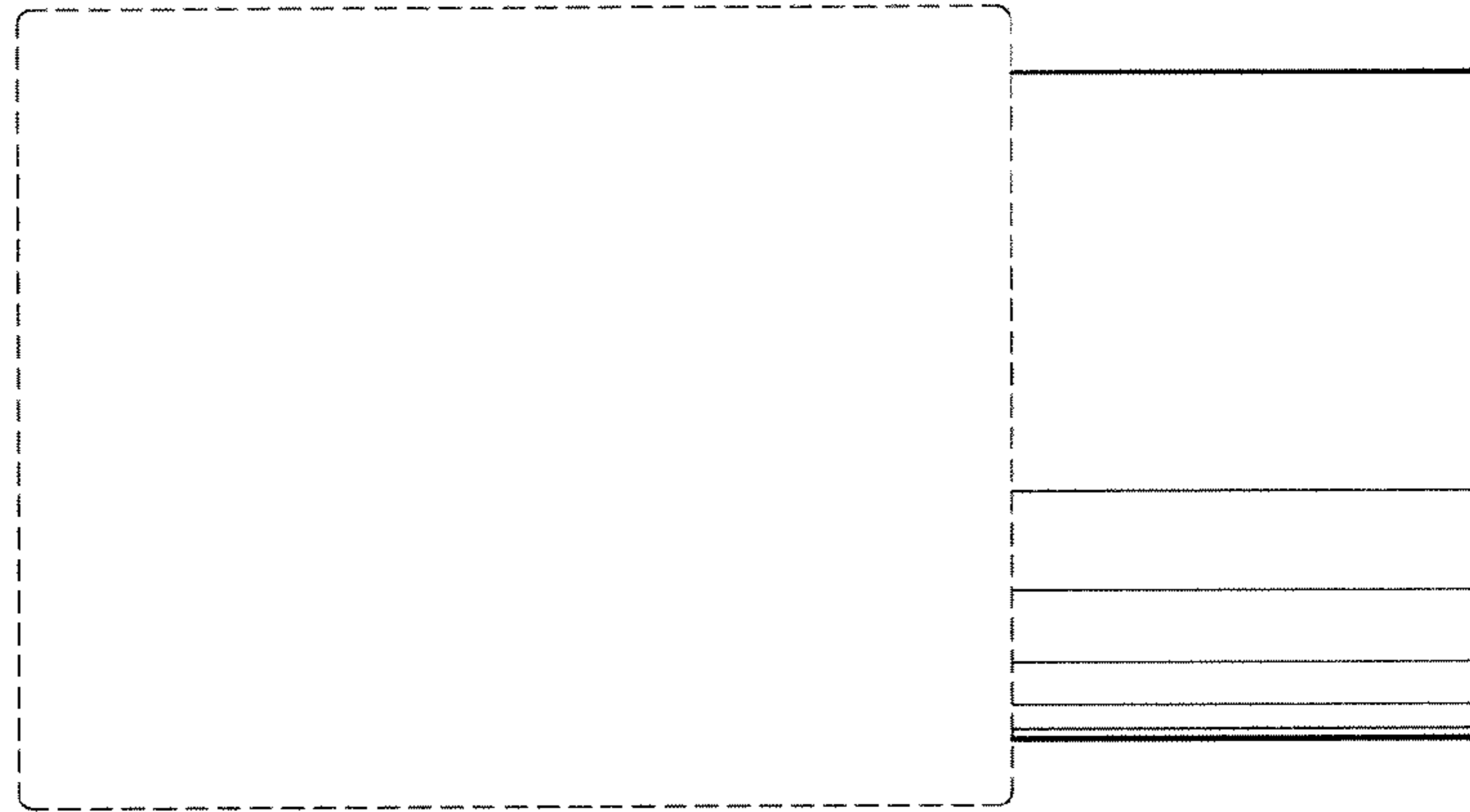


FIG. 4

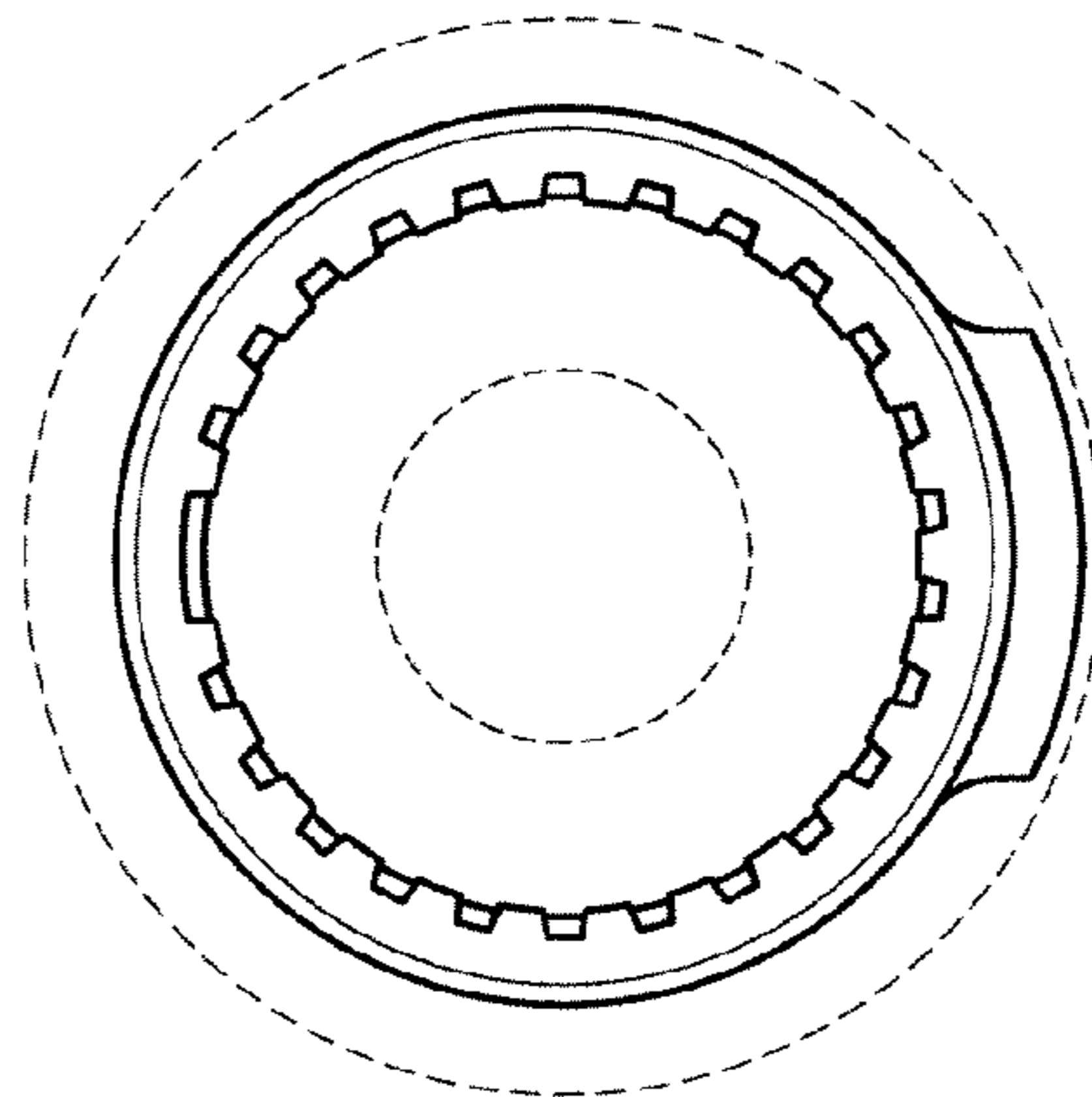


FIG. 5

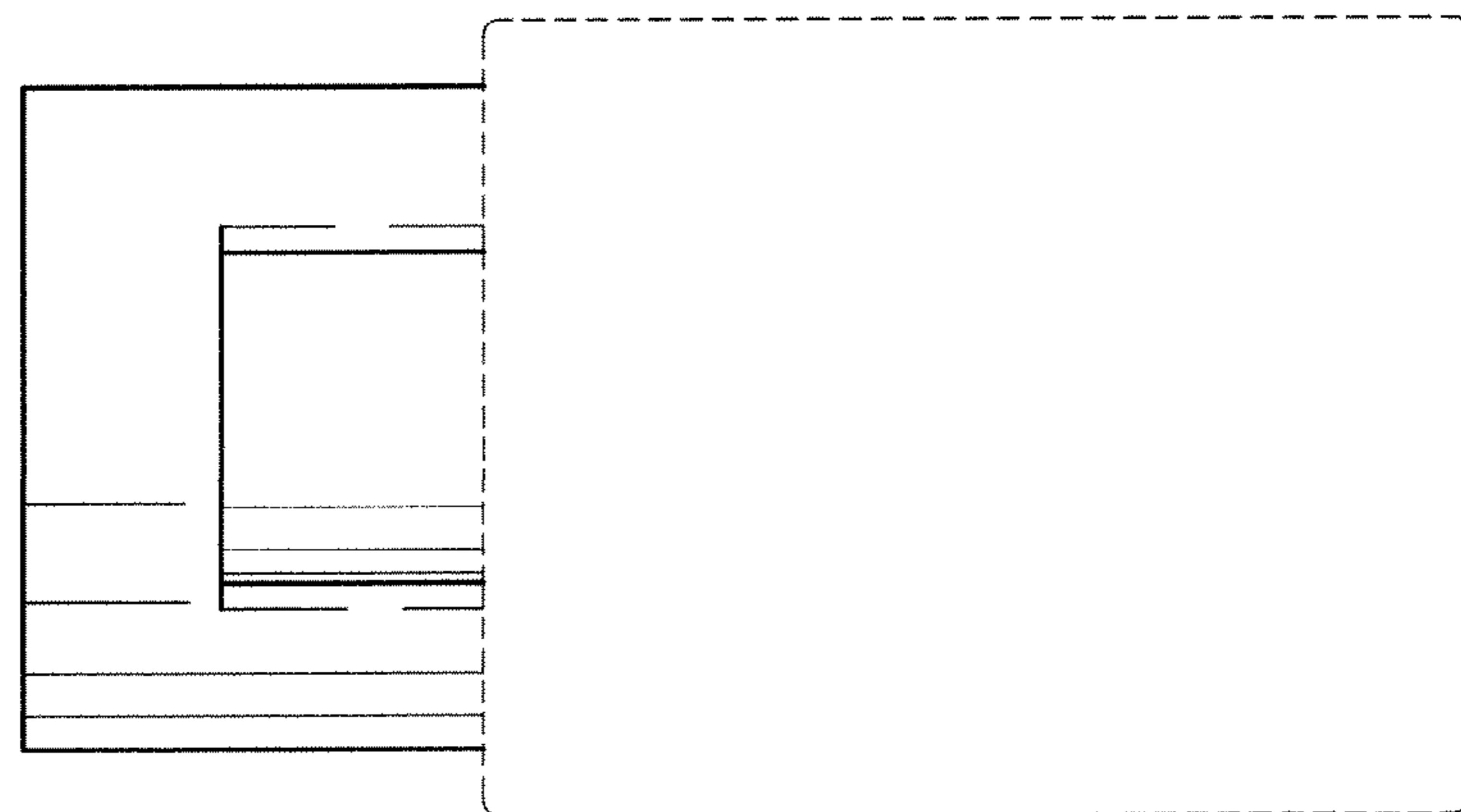


FIG. 6

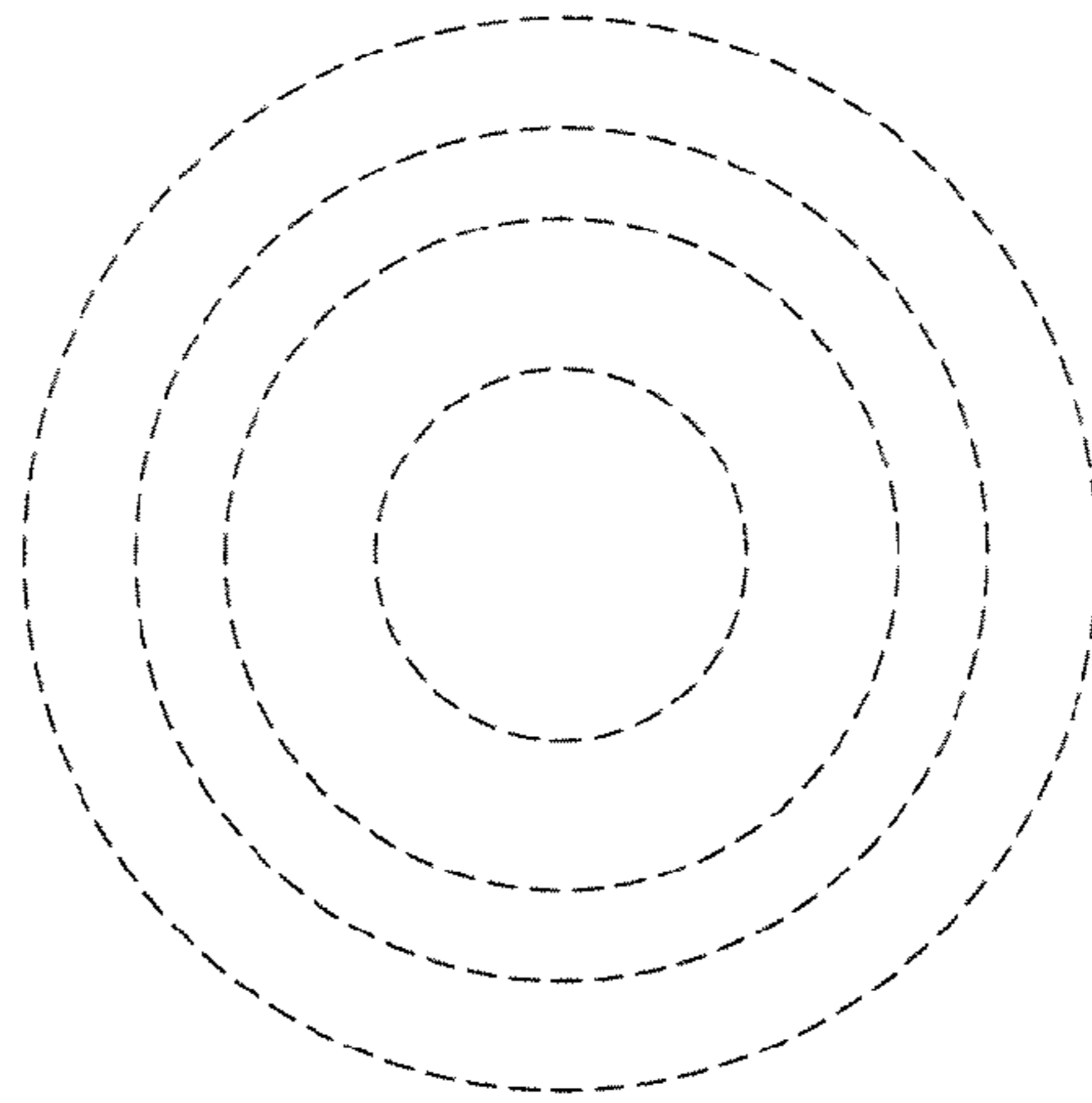


FIG. 7

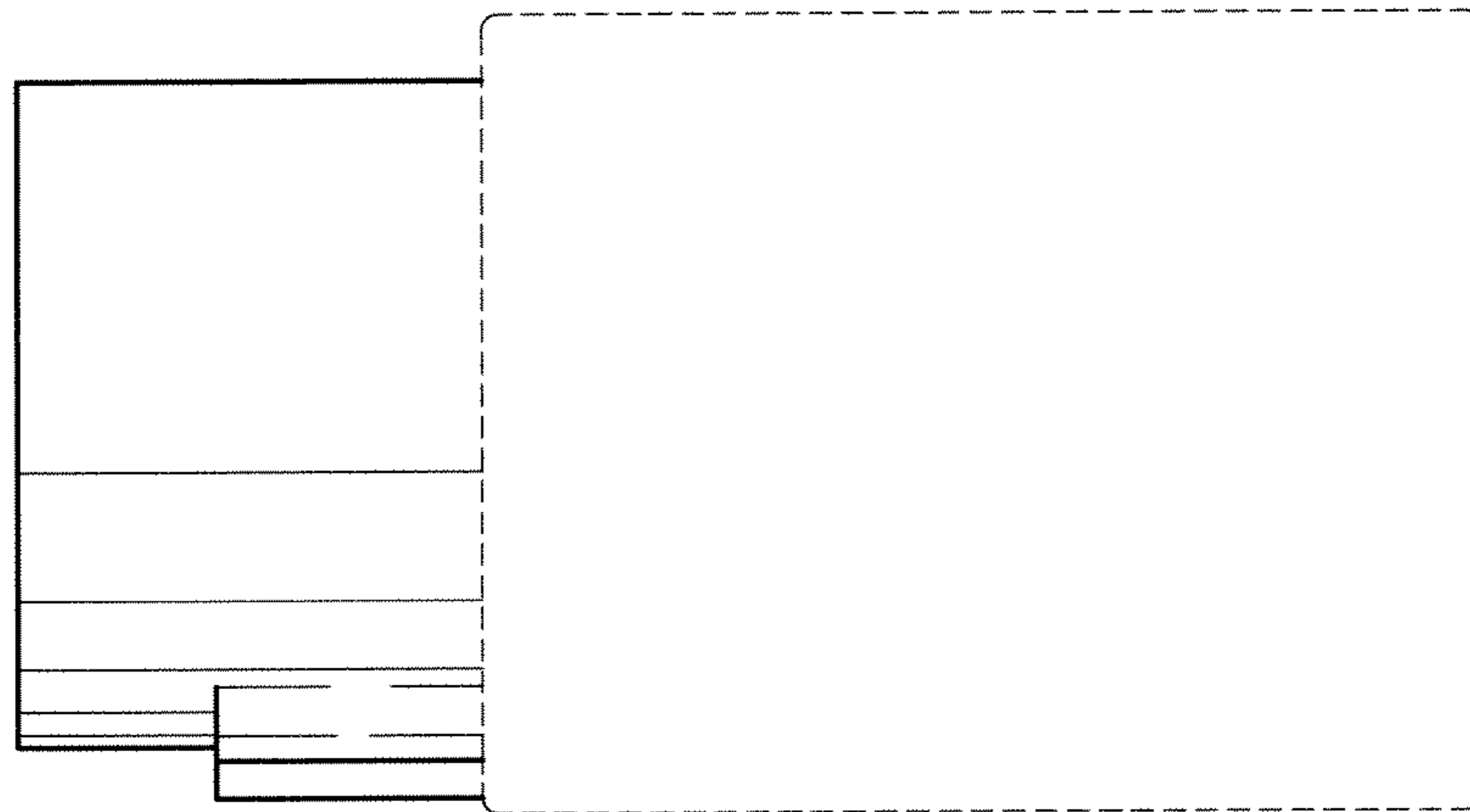


FIG. 8

