



US00D588663S

(12) **United States Design Patent**  
**Lee**

(10) **Patent No.:** **US D588,663 S**  
(45) **Date of Patent:** **\*\* Mar. 17, 2009**

(54) **PART FOR AN EXCHANGEABLE HOSEL ASSEMBLY FOR A GOLF CLUB**

*Primary Examiner*—Mitchell I Siegel  
(74) *Attorney, Agent, or Firm*—Fay Sharpe LLP

(75) Inventor: **Michael Lee**, Chino Hills, CA (US)

(57) **CLAIM**

(73) Assignee: **Nickent Golf, Inc.**, City of Industry, CA (US)

The ornamental design for a part for an exchangeable hosel assembly for a golf club, as shown and described.

(\*\*) Term: **14 Years**

**DESCRIPTION**

(21) Appl. No.: **29/302,800**

FIG. 1 is a perspective view of a lower end of a part for an exchangeable hosel assembly for a golf club head;

(22) Filed: **Jan. 24, 2008**

FIG. 2 is a perspective view of an upper end of the part shown in FIG. 1;

(51) **LOC (9) Cl.** ..... **21-02**

(52) **U.S. Cl.** ..... **D21/759**

(58) **Field of Classification Search** ..... D21/753,  
D21/759, 789; 473/246, 306–311

FIG. 3 is a side view of the part shown in FIG. 1;

See application file for complete search history.

FIG. 4 is a plan view of the lower end of the part shown in FIG. 1;

(56) **References Cited**

**U.S. PATENT DOCUMENTS**

D449,665 S *	10/2001	Etherton et al.	.....	D21/759
6,547,673 B2 *	4/2003	Roark	.....	473/307
6,620,053 B2 *	9/2003	Tseng	.....	473/297
6,769,996 B2 *	8/2004	Tseng	.....	473/306
6,890,269 B2	5/2005	Burrows		
7,083,529 B2 *	8/2006	Cackett et al.	.....	473/309
D537,896 S *	3/2007	Holt et al.	.....	D21/759

FIG. 5 is a side view of the part opposite of that shown in FIG. 3;

FIG. 6 is a plan view of the upper end of the part shown in FIG. 1;

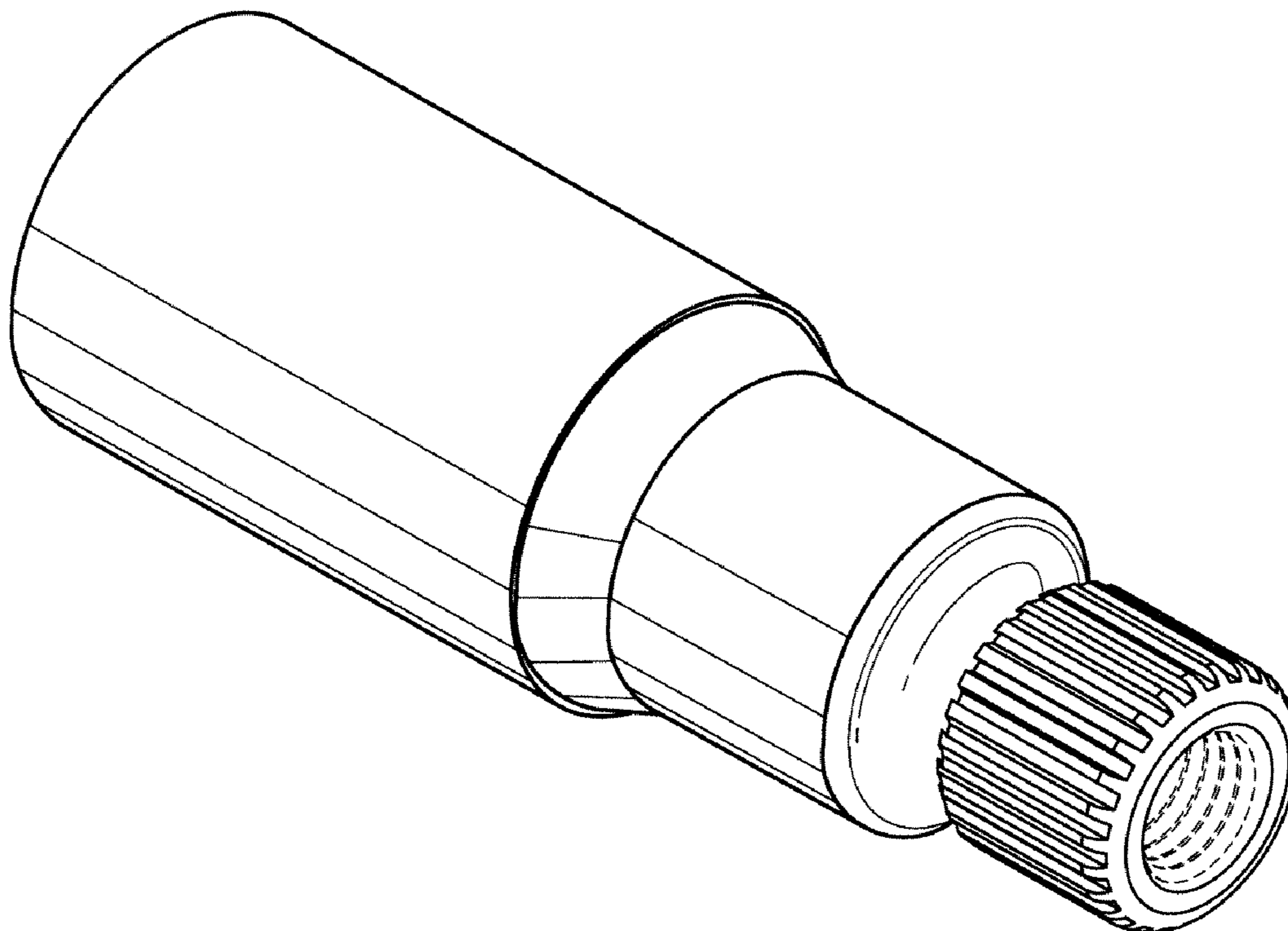
FIG. 7 is another side view of the part shown in FIG. 1; and,

FIG. 8 is another side view of the part opposite of that shown in FIG. 7.

The broken line showing is included for the purpose of illustrating and forms no part of the claimed design.

\* cited by examiner

**1 Claim, 3 Drawing Sheets**



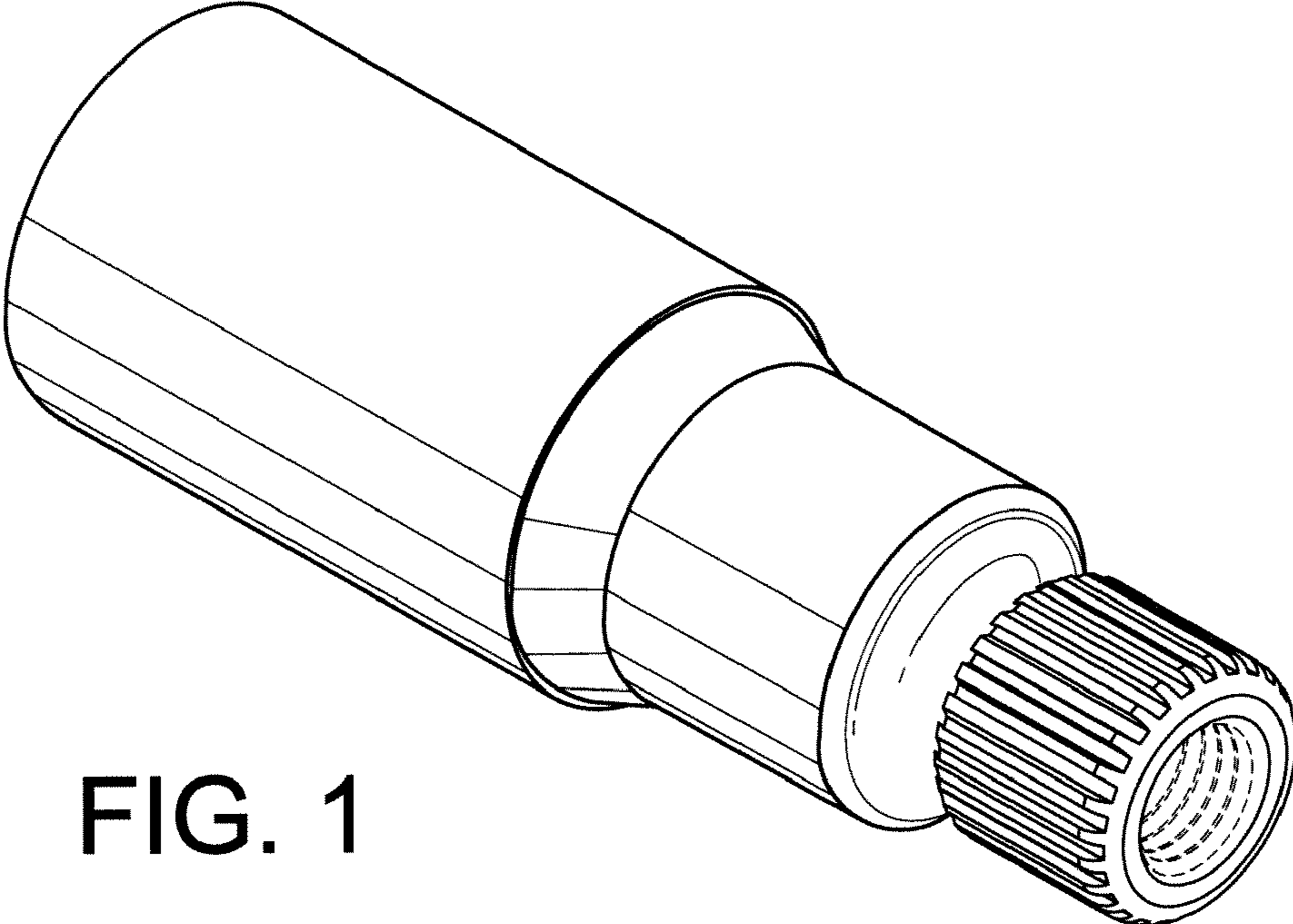


FIG. 1

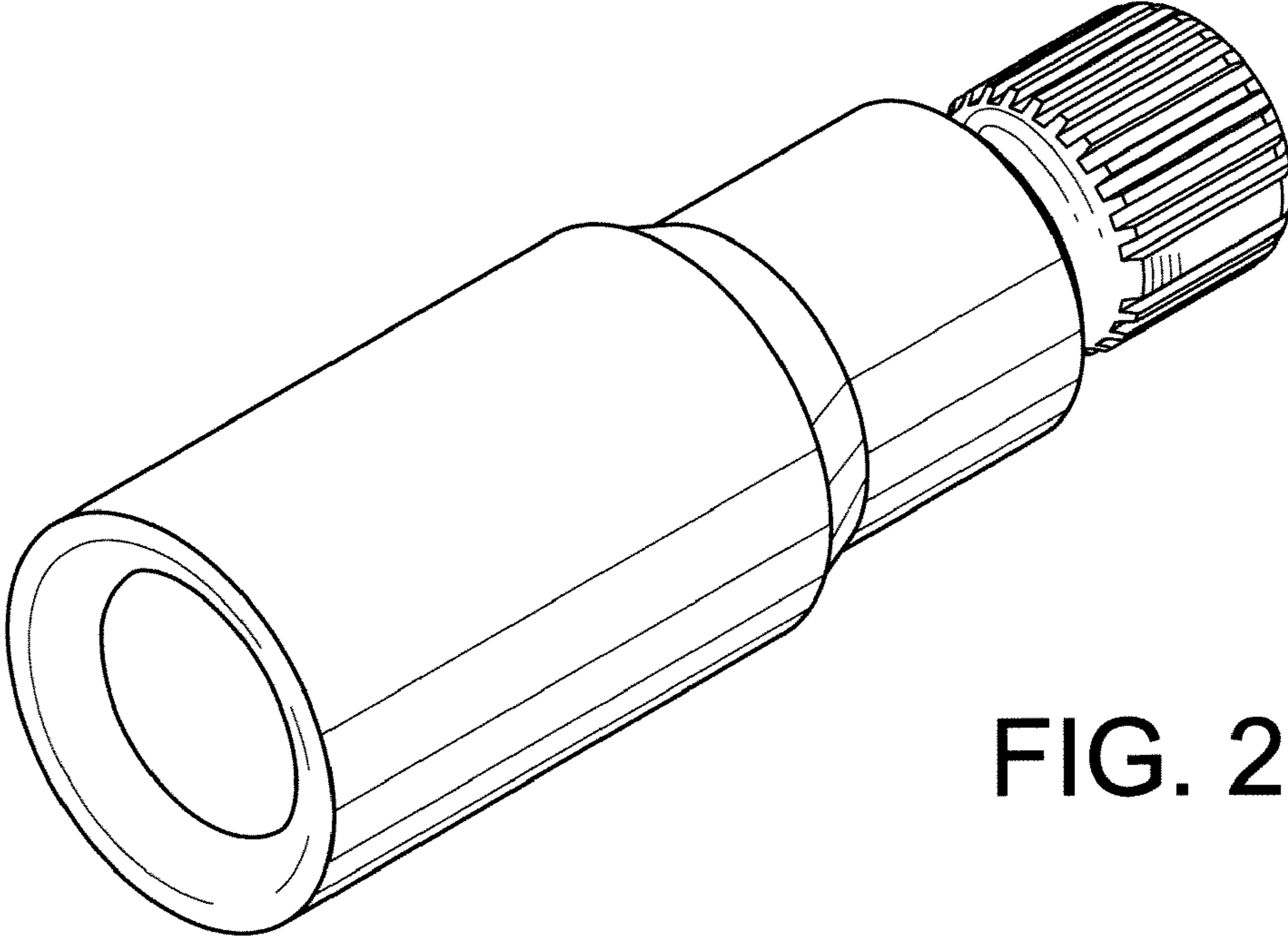


FIG. 2

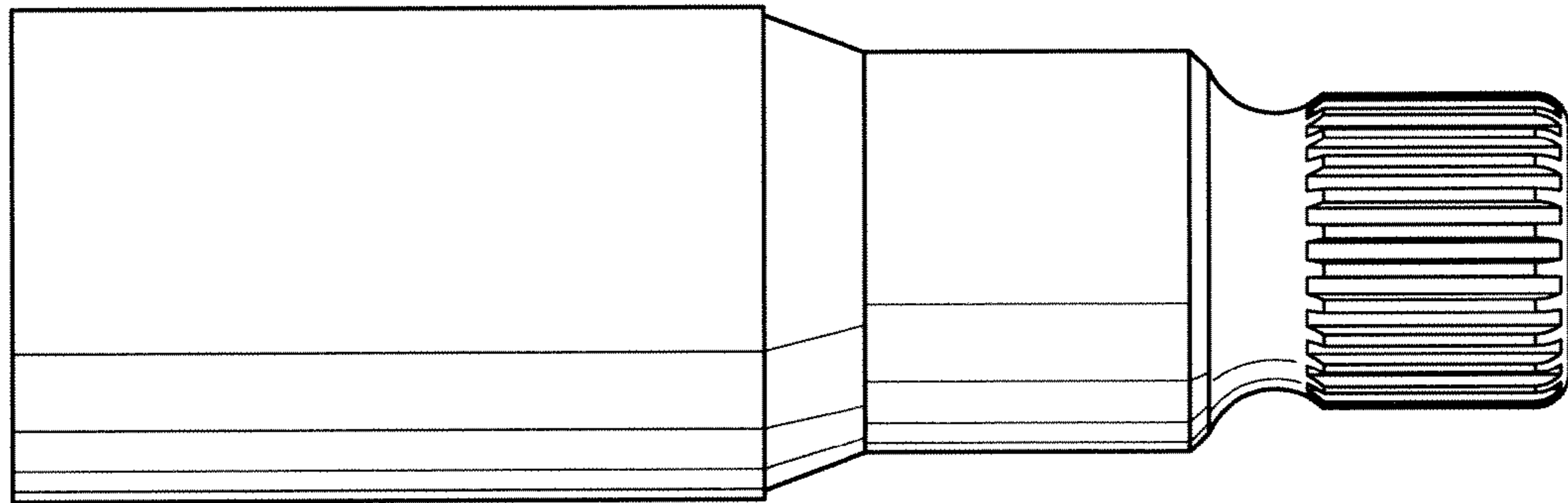


FIG. 3

FIG. 4

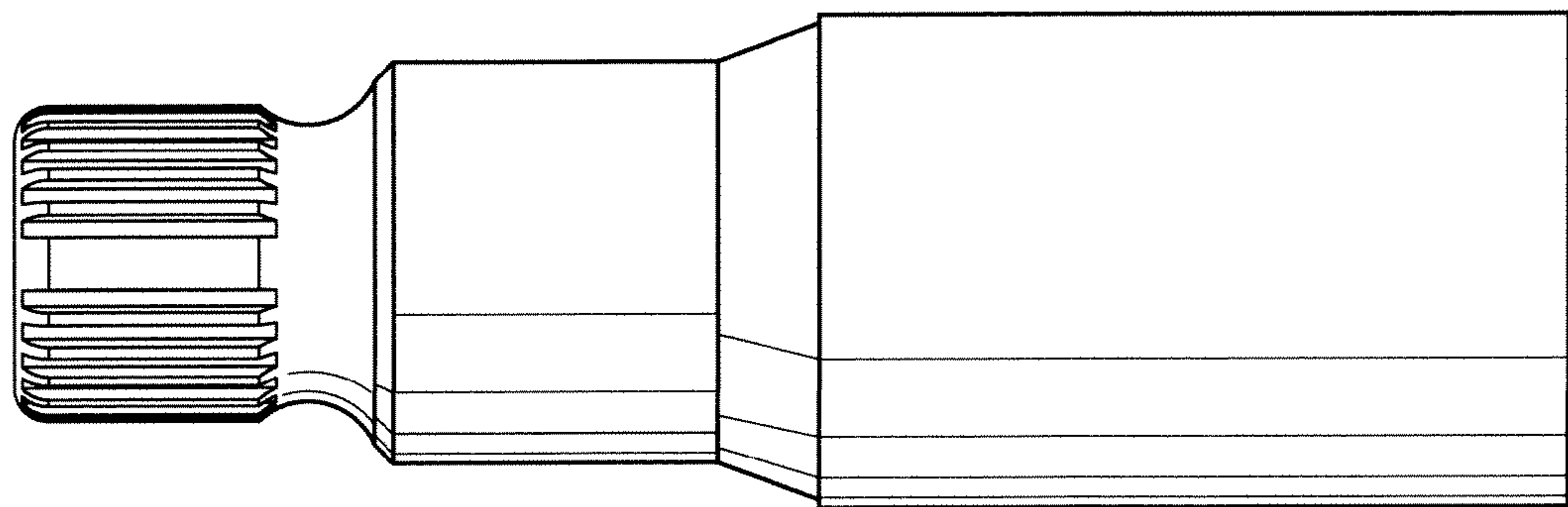
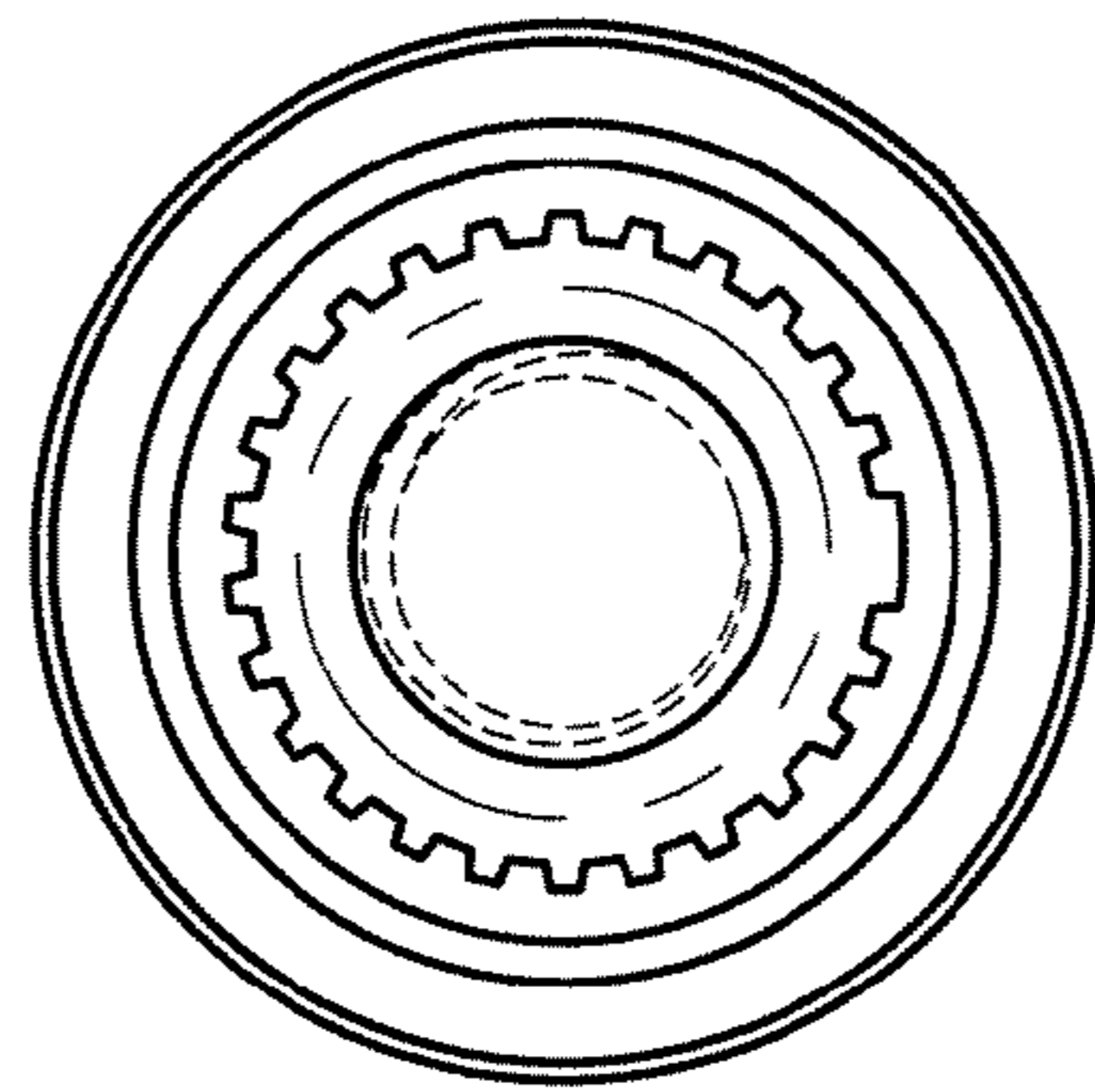


FIG. 5

FIG. 6

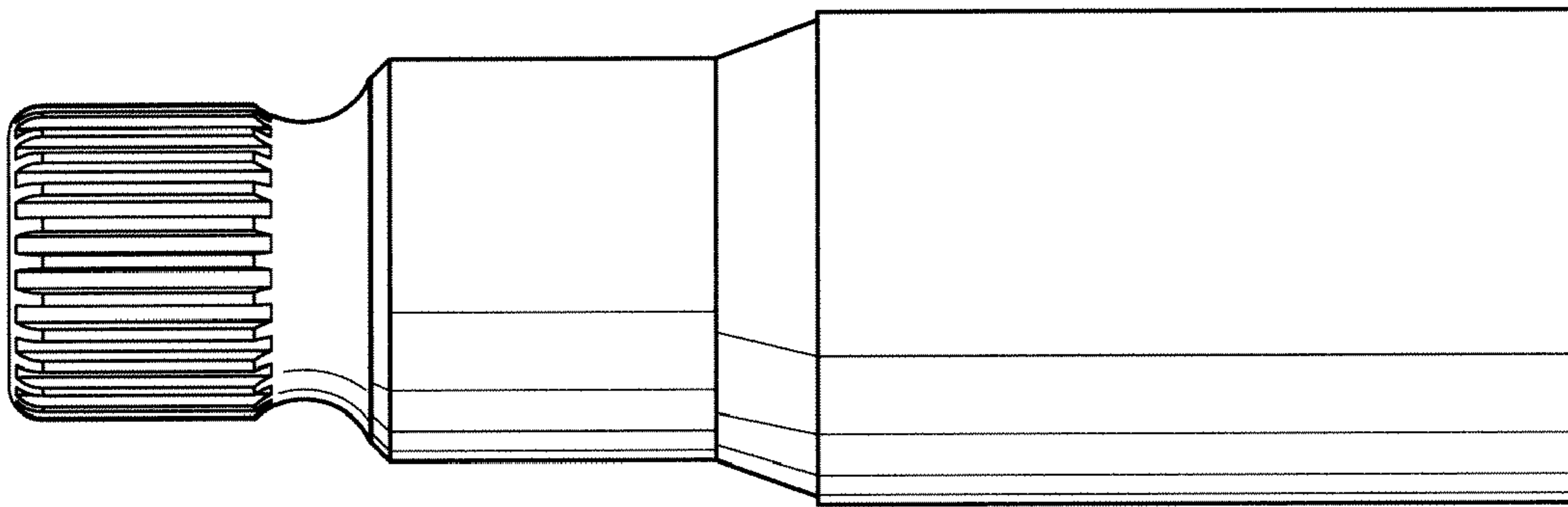
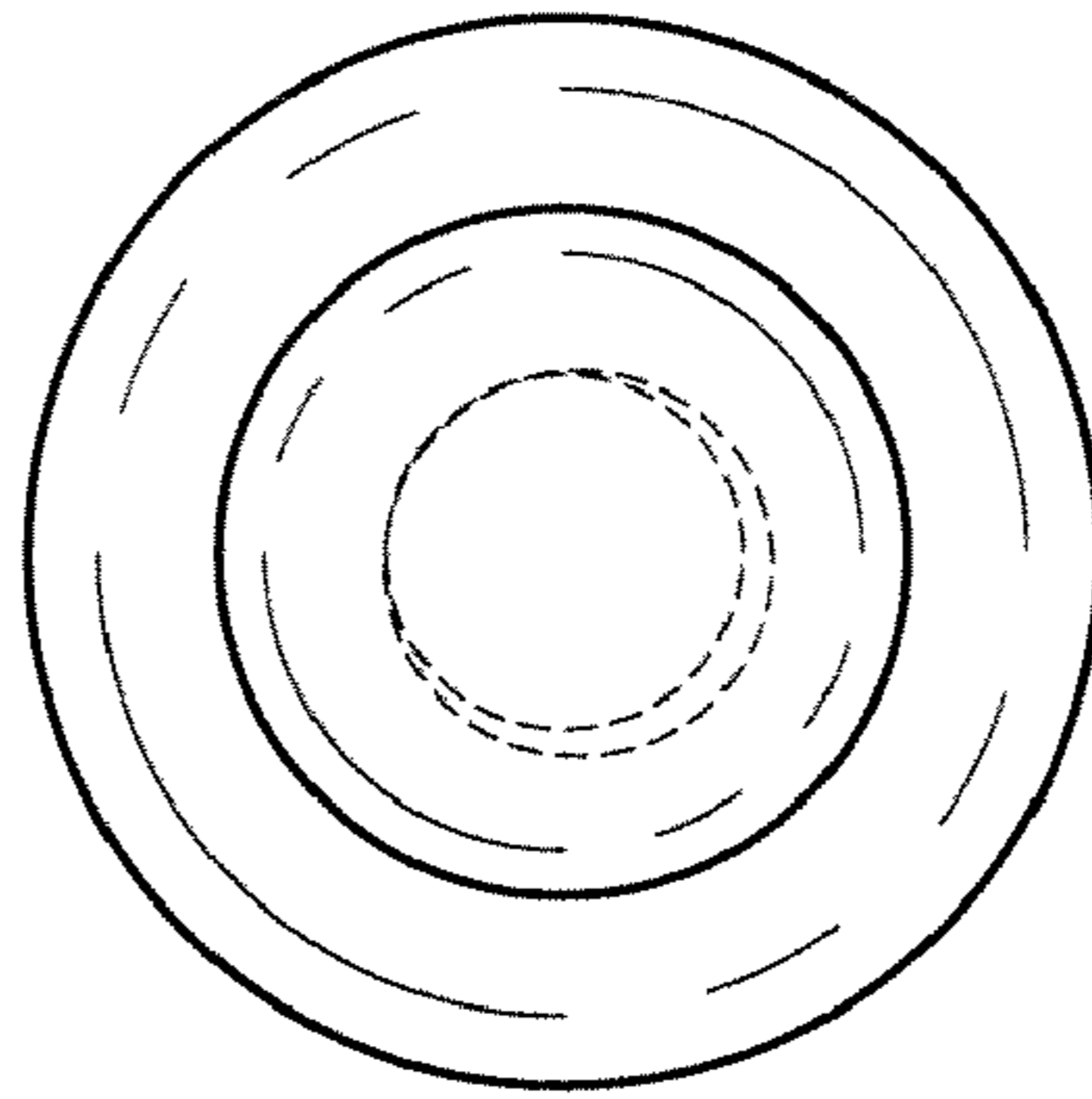


FIG. 7

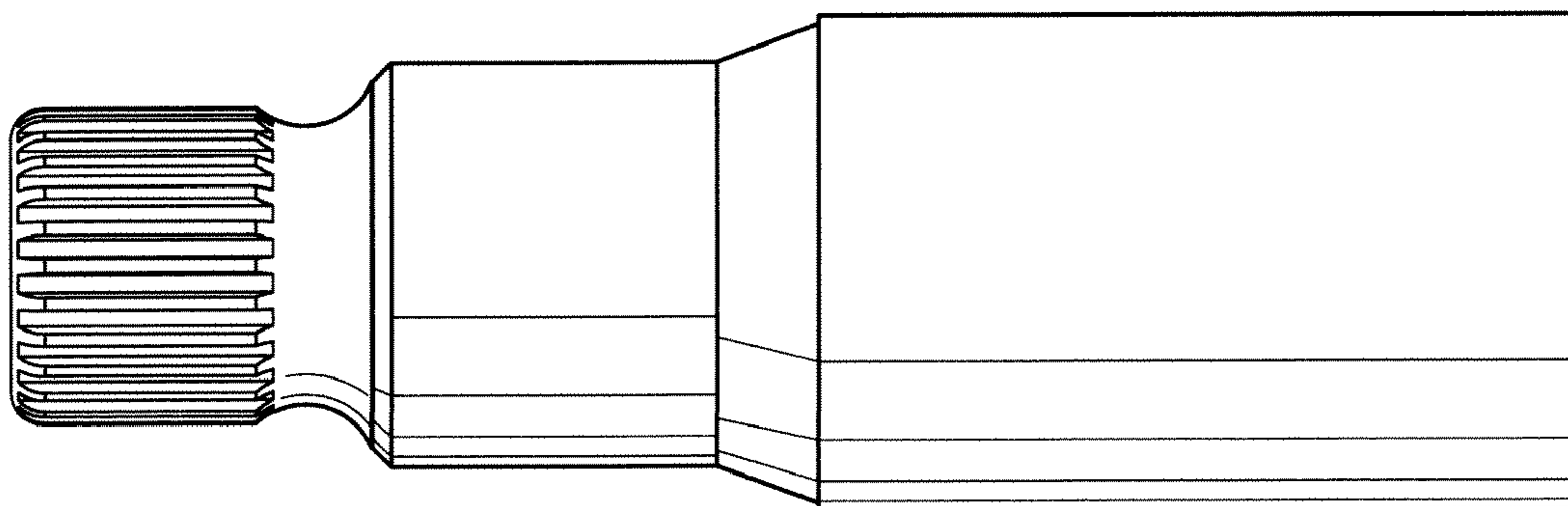


FIG. 8