

US00D588655S

(12) **United States Design Patent**
Utykanski

(10) **Patent No.:** **US D588,655 S**

(45) **Date of Patent:** **** Mar. 17, 2009**

(54) **RIDER-TYPE EXERCISE SEAT ASSEMBLY**

D558,284 S * 12/2007 Chen D21/697

(75) Inventor: **Philip A. Utykanski**, Nibley, UT (US)

(73) Assignee: **Icon IP, Inc.**, Logan, UT (US)

(**) Term: **14 Years**

(21) Appl. No.: **29/279,988**

(22) Filed: **May 14, 2007**

(51) **LOC (9) Cl.** **21-02**

(52) **U.S. Cl.** **D21/697**

(58) **Field of Classification Search** D12/110,
D12/111; D21/662-663, 666, 694-695,
D21/697, 828; 482/95-96, 57
See application file for complete search history.

(56) **References Cited**

U.S. PATENT DOCUMENTS

2,642,288	A *	6/1953	Bell	482/96
4,300,760	A	11/1981	Bobroff		
4,616,825	A *	10/1986	Anderson	482/94
D344,112	S	2/1994	Smith		
5,299,997	A *	4/1994	Chen	482/96
5,306,218	A *	4/1994	Huang Chen	482/72
5,356,357	A *	10/1994	Wang et al.	482/96
5,370,594	A *	12/1994	Grinblat	482/72
D356,128	S	3/1995	Smith et al.		
D358,437	S *	5/1995	Wang et al.	D21/665
5,421,795	A *	6/1995	Chen	482/96
5,429,568	A *	7/1995	Chen	482/96
5,464,378	A *	11/1995	Yu	482/95
D367,689	S	3/1996	Wilkinson et al.		
5,503,608	A *	4/1996	Chang	482/57
5,520,599	A *	5/1996	Chen	482/96
5,527,250	A *	6/1996	Chen	482/96
5,533,953	A *	7/1996	Lui et al.	482/96
D375,337	S *	11/1996	Adkins et al.	D21/676
5,626,542	A	5/1997	Dalebout et al.		
D380,509	S	7/1997	Wilkinson et al.		
5,647,825	A *	7/1997	Adkins et al.	482/96
D383,814	S *	9/1997	Ward	D21/674
D384,118	S	9/1997	Deblauw		
5,695,434	A	12/1997	Dalebout et al.		
5,695,435	A *	12/1997	Dalebout et al.	482/96
D428,957	S *	8/2000	Harper	D21/811

OTHER PUBLICATIONS

HealthRider. Downloaded originally May 8, 2008 and again Jun. 22, 2008 (for inclusion here) at http://www.healthrider.com/webapp/wcs/stores/servlet/Product2_11851_10251_38351_-1_16557.*

* cited by examiner

Primary Examiner—T. Chase Nelson
Assistant Examiner—Roselyne Cody

(74) *Attorney, Agent, or Firm*—Workman Nydegger

(57) **CLAIM**

The ornamental design for a rider-type exercise seat assembly, as shown and described.

DESCRIPTION

FIG. 1 is a perspective view of a rider-type exercise seat assembly shown being used as part of an exercise system (certain portions of the system being shown in broken, phantom lines);

FIG. 2 is a lower perspective view of the rider-type exercise seat assembly and exercise system of FIG. 1;

FIG. 3 is an upper perspective view of just the rider-type exercise seat assembly of FIG. 1, without the surrounding portions of the exercise system which are shown in phantom in FIG. 1;

FIG. 4 is a lower perspective view of just the rider-type exercise seat assembly of FIG. 3;

FIG. 5 is a side view of just the rider-type exercise seat assembly of FIG. 3;

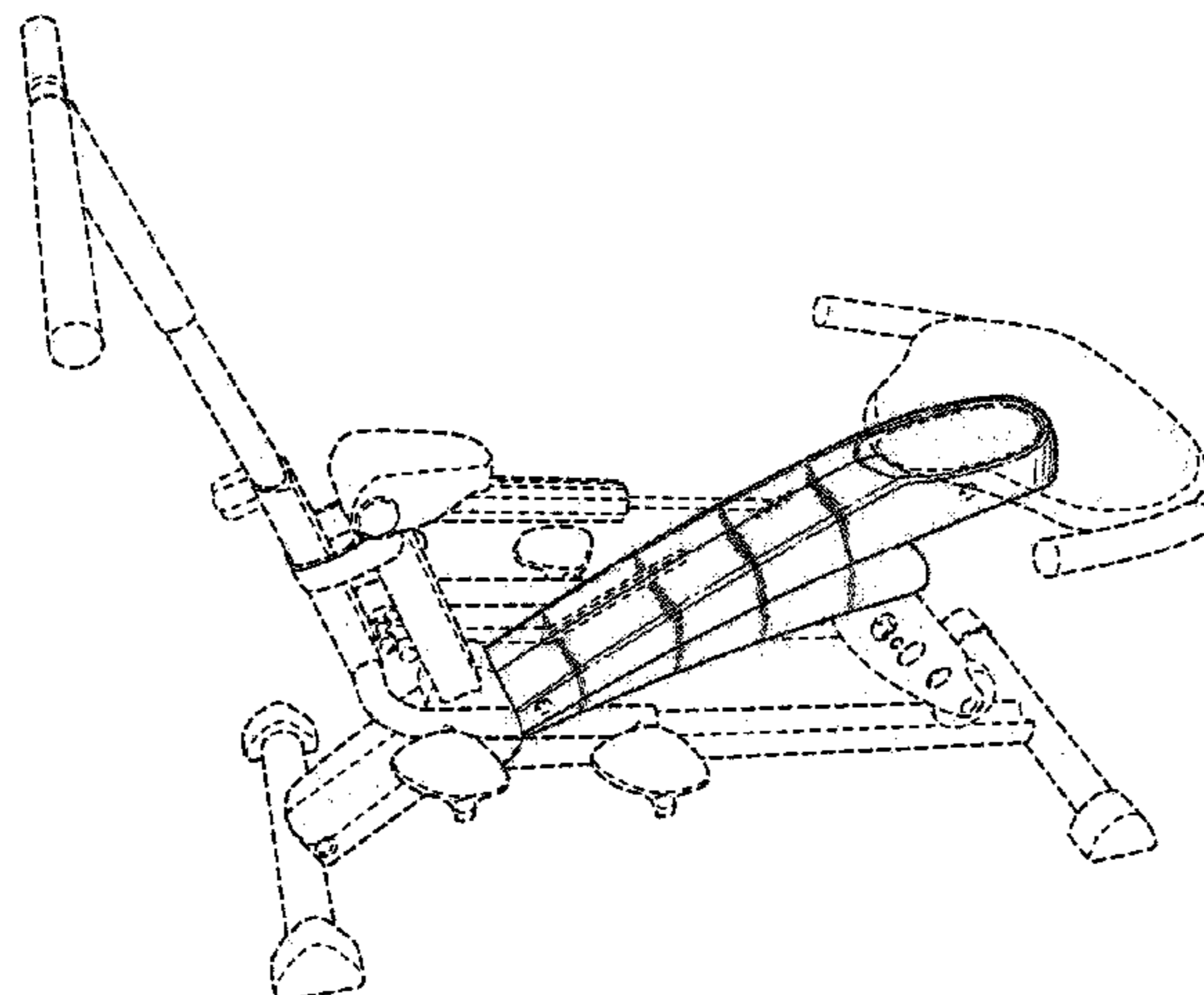
FIG. 6 is a rear view of just the rider-type exercise seat assembly of FIG. 3;

FIG. 7 is a front view of just the rider-type exercise seat assembly of FIG. 3; and,

FIG. 8 is a top planar view of just the rider-type exercise seat assembly of FIG. 3.

The objects shown in broken, phantom lines are shown for environmental purposes only and form no part of the claimed design.

1 Claim, 4 Drawing Sheets



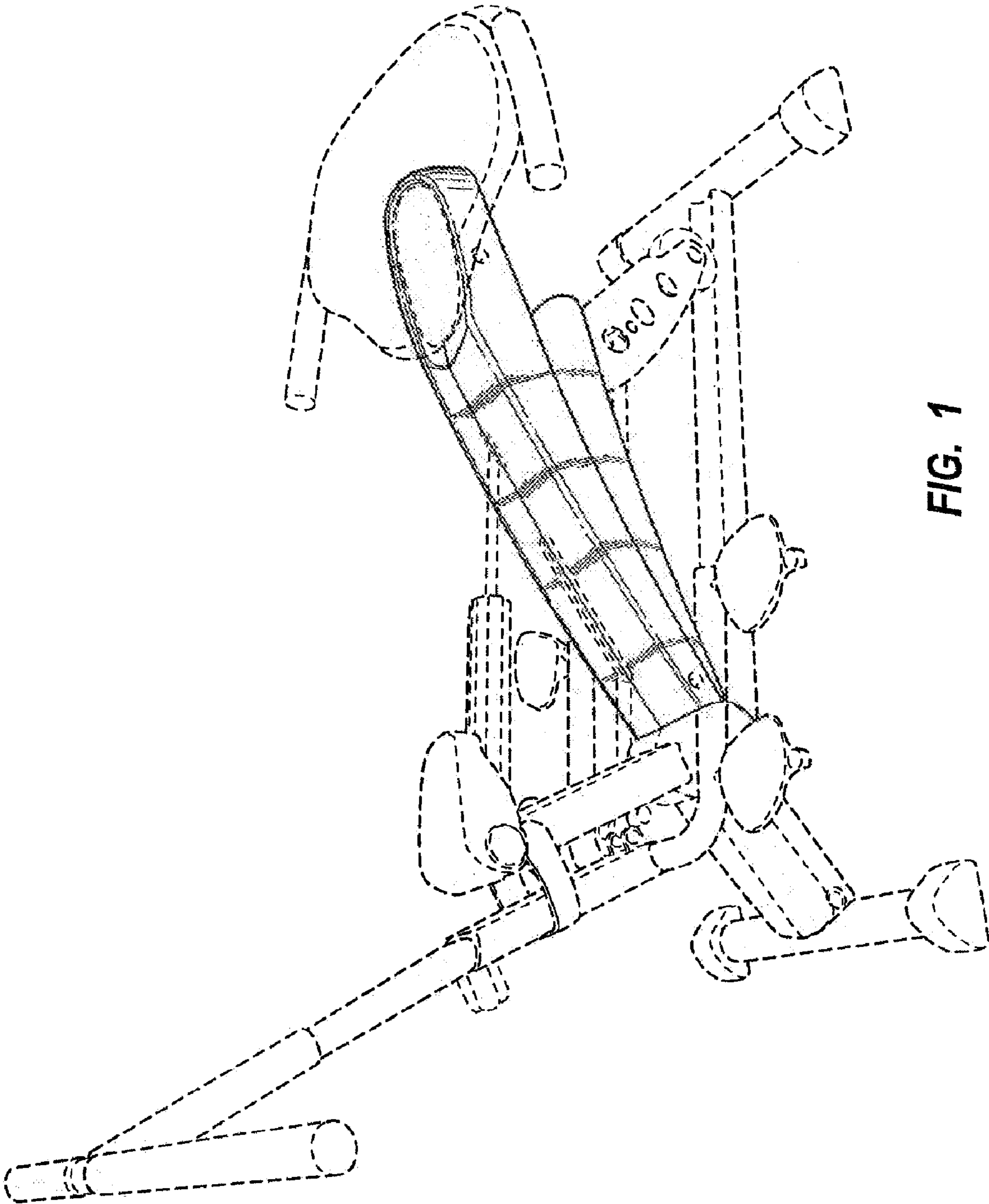


FIG. 1

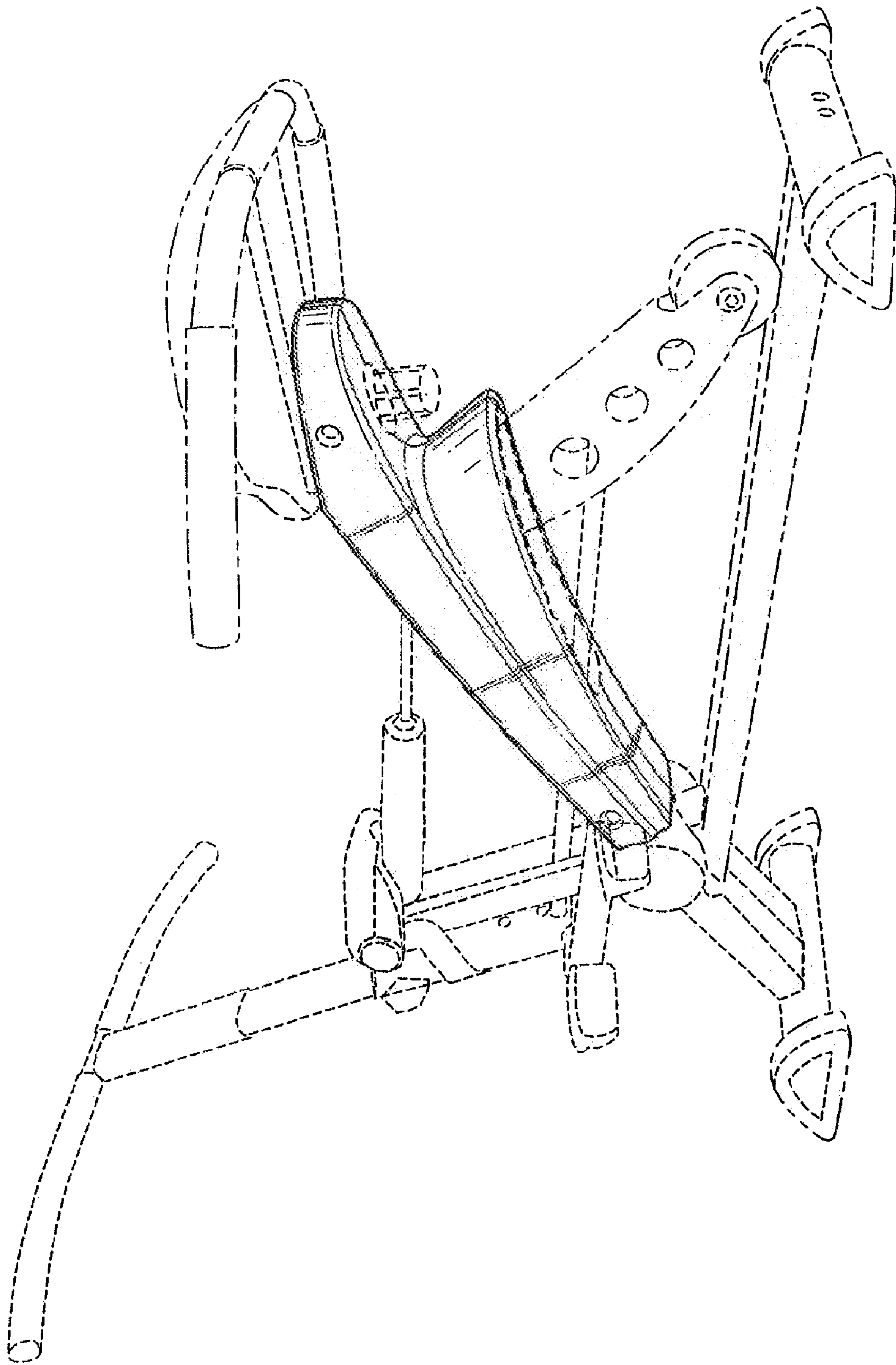


FIG. 2

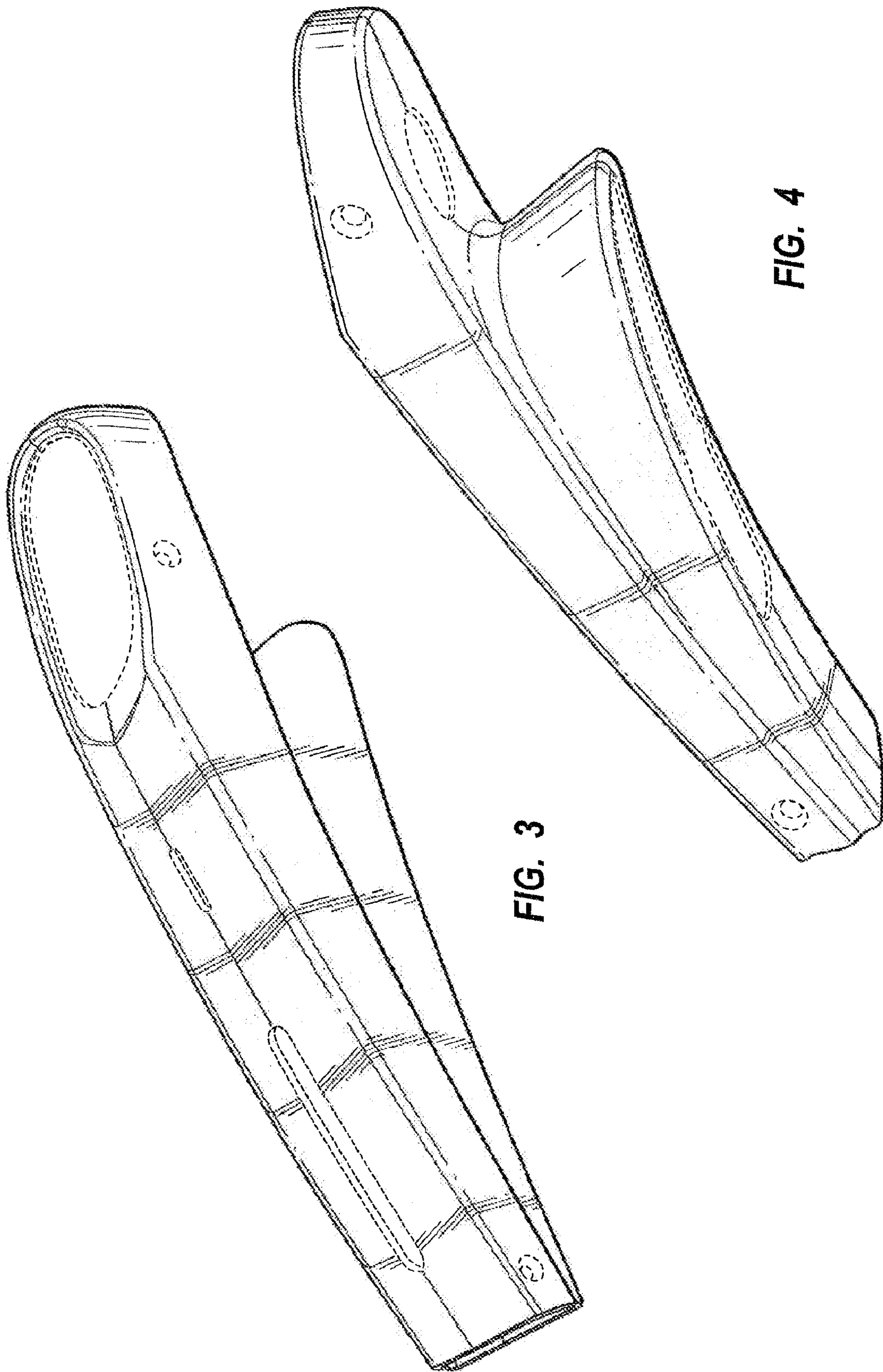


FIG. 3

FIG. 4

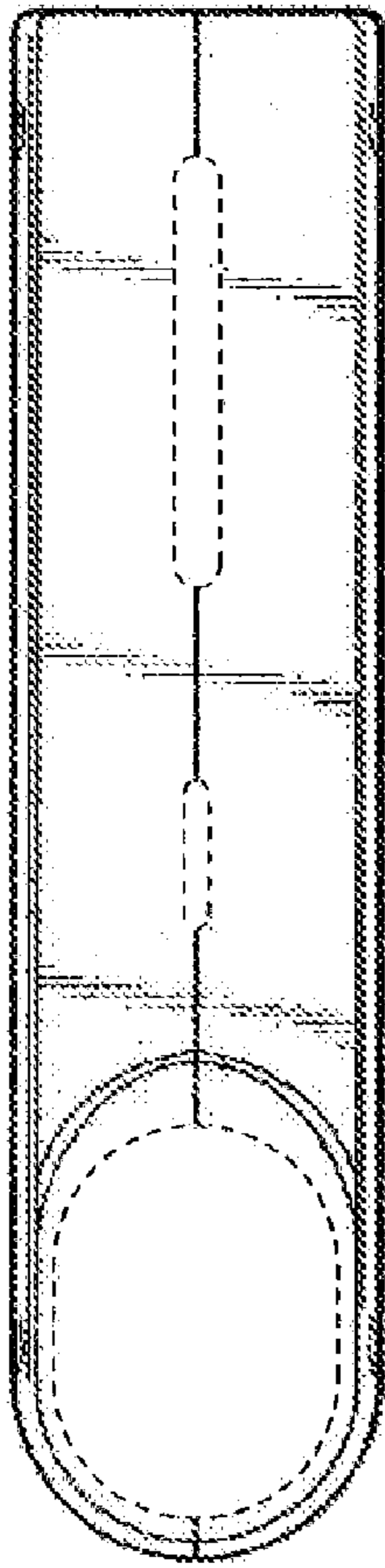


FIG. 8

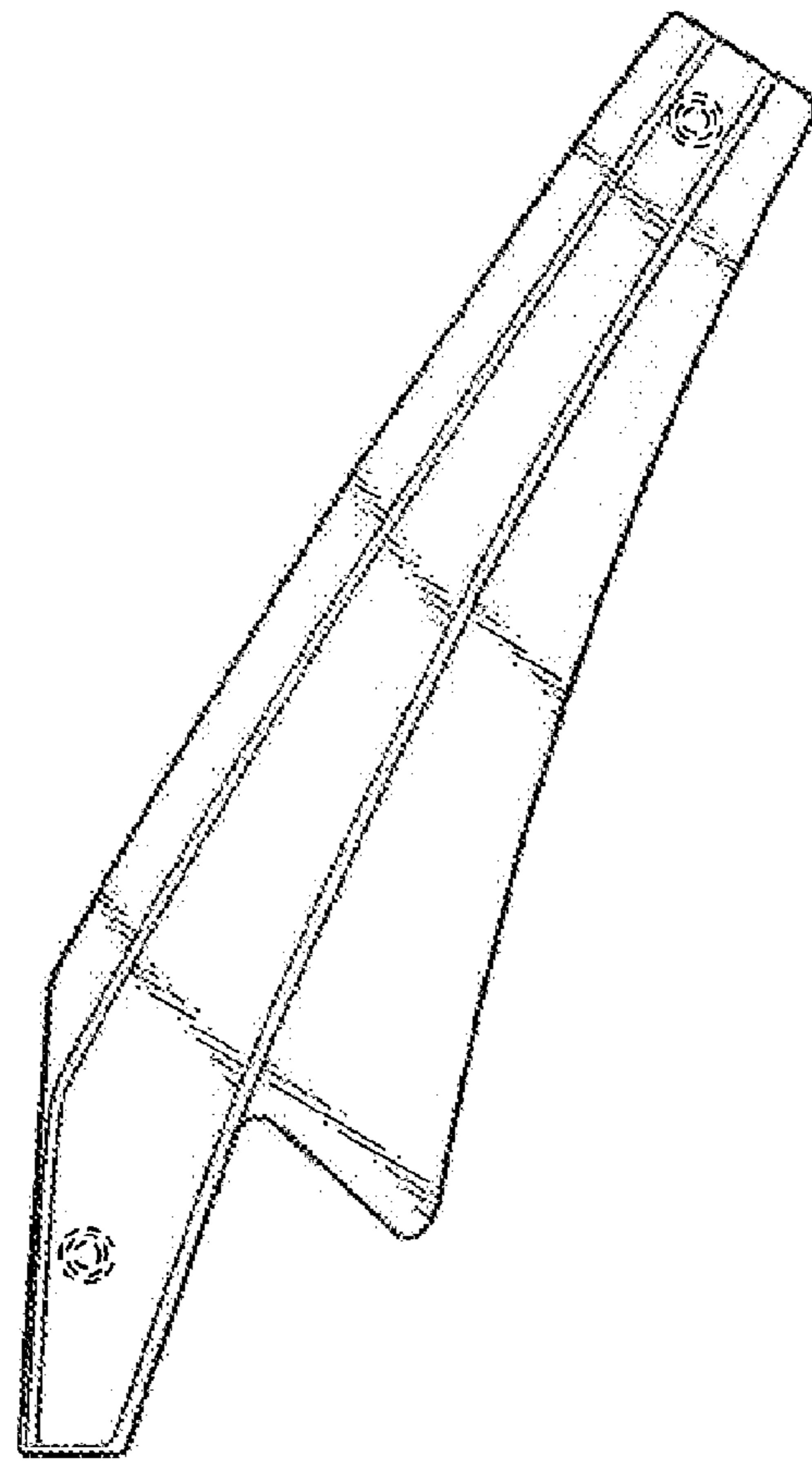


FIG. 5

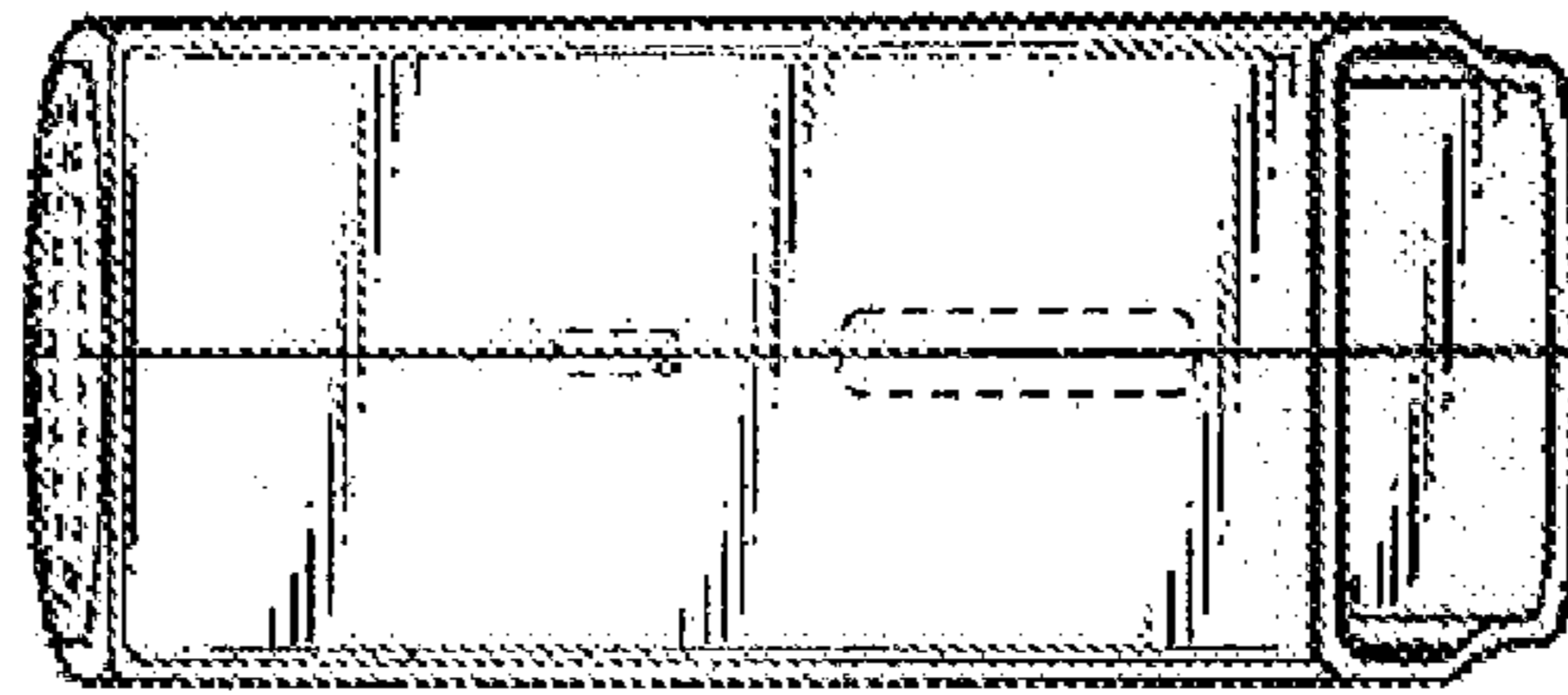


FIG. 7

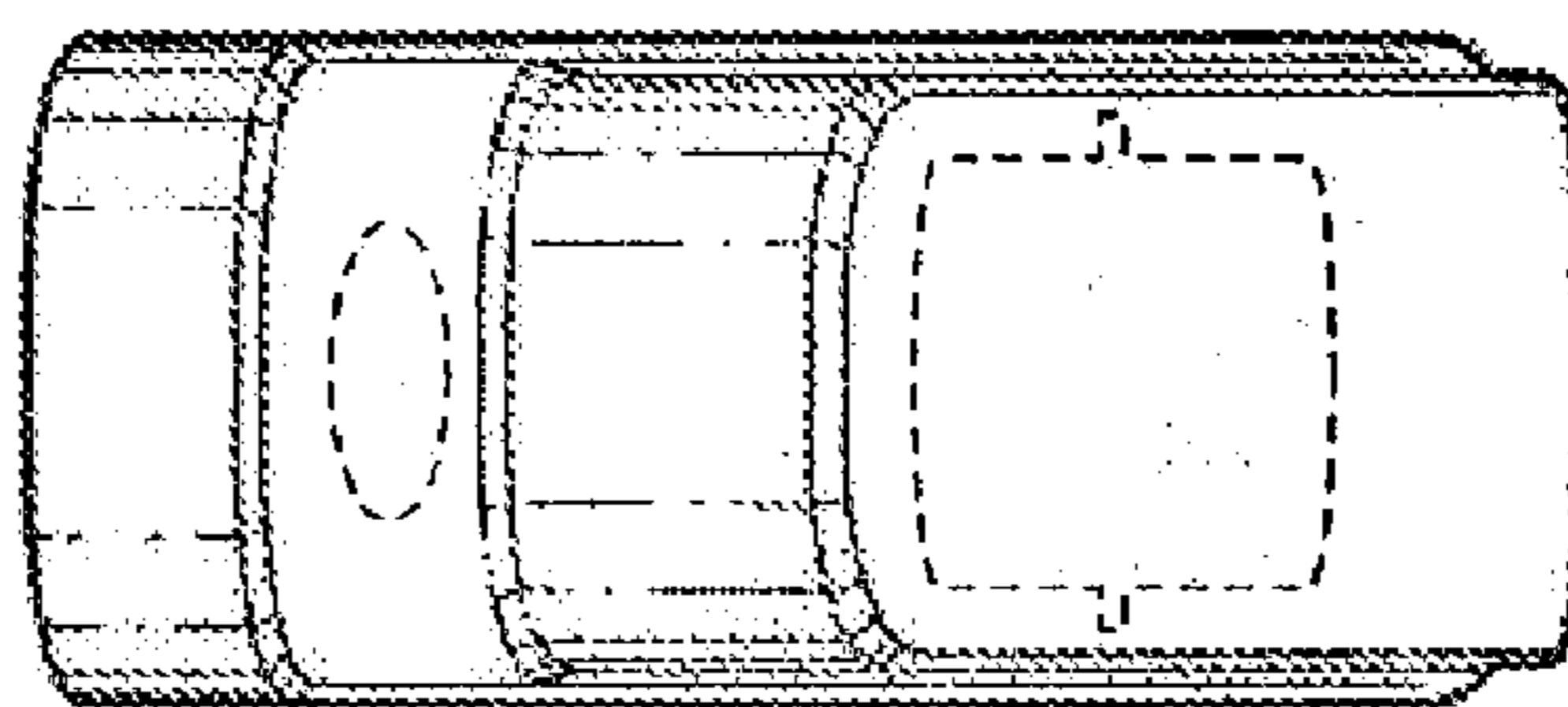


FIG. 6