



US00D588650S

(12) **United States Design Patent**
Yen

(10) **Patent No.:** **US D588,650 S**
(45) **Date of Patent:** **** Mar. 17, 2009**

(54) **PEDAL TRAIN**

(76) **Inventor:** **Sylvester Yen**, 227 Old Short Hills Rd.,
Short Hills, NJ (US) 07078

(**) **Term:** **14 Years**

(21) **Appl. No.:** **29/308,380**

(22) **Filed:** **Jun. 13, 2008**

(51) **LOC (9) Cl.** **21-01**

(52) **U.S. Cl.** **D21/427; D21/541**

(58) **Field of Classification Search** D21/419,
D21/424, 426, 427, 433, 540, 541, 551; D12/36-38;
446/410, 451, 465, 467; 280/828, 47.25,
280/87.01, 43.23, 256, 827

See application file for complete search history.

(56) **References Cited**

U.S. PATENT DOCUMENTS

D54,380 S *	2/1920	Connor	D21/427
D60,643 S *	3/1922	Custer	D21/551
1,545,833 A *	7/1925	Howe	280/256
1,634,486 A *	7/1927	Bried	280/256
2,494,354 A	1/1950	Parke		
D215,317 S	9/1969	Hood et al.		
D217,374 S *	4/1970	Hublak	D21/427
D221,163 S *	7/1971	Tong	D21/541
3,804,427 A	4/1974	Lohr et al.		
D235,217 S *	5/1975	Lohr	D21/427
D238,699 S *	2/1976	Hodges	D21/426
4,084,836 A	4/1978	Lohr		
D257,362 S *	10/1980	Imura	D21/427
D264,362 S *	5/1982	Mariol	D21/541
4,456,277 A	6/1984	Carpenter		
D289,537 S *	4/1987	Leung	D21/541
D308,704 S *	6/1990	Weiland	D21/427
D330,737 S *	11/1992	Silber	D21/427
5,265,912 A	11/1993	Natividad		
5,330,210 A	7/1994	Lambrecht		
D383,503 S *	9/1997	Pierce	D21/426

D400,626 S	11/1998	Deardorff et al.
D402,332 S	12/1998	Fichter
D403,027 S	12/1998	Pourtout
D426,270 S	6/2000	Rubau
D488,194 S	4/2004	Fox et al.
D503,952 S	4/2005	Tung
D506,512 S	6/2005	Raspberry
D508,271 S	8/2005	Augustin
D524,876 S	7/2006	Augustin
D533,603 S	12/2006	Chung
D547,393 S	7/2007	Johnson et al.
D560,728 S	1/2008	Chung

OTHER PUBLICATIONS

Pedal Car People, Internet, unknown, Internet, not earlier than Apr. 12, 2007, pp. 1-2.

* cited by examiner

Primary Examiner—Holly H Baynham

Assistant Examiner—Cynthia M Chin

(74) *Attorney, Agent, or Firm*—Gearhart Law, LLC

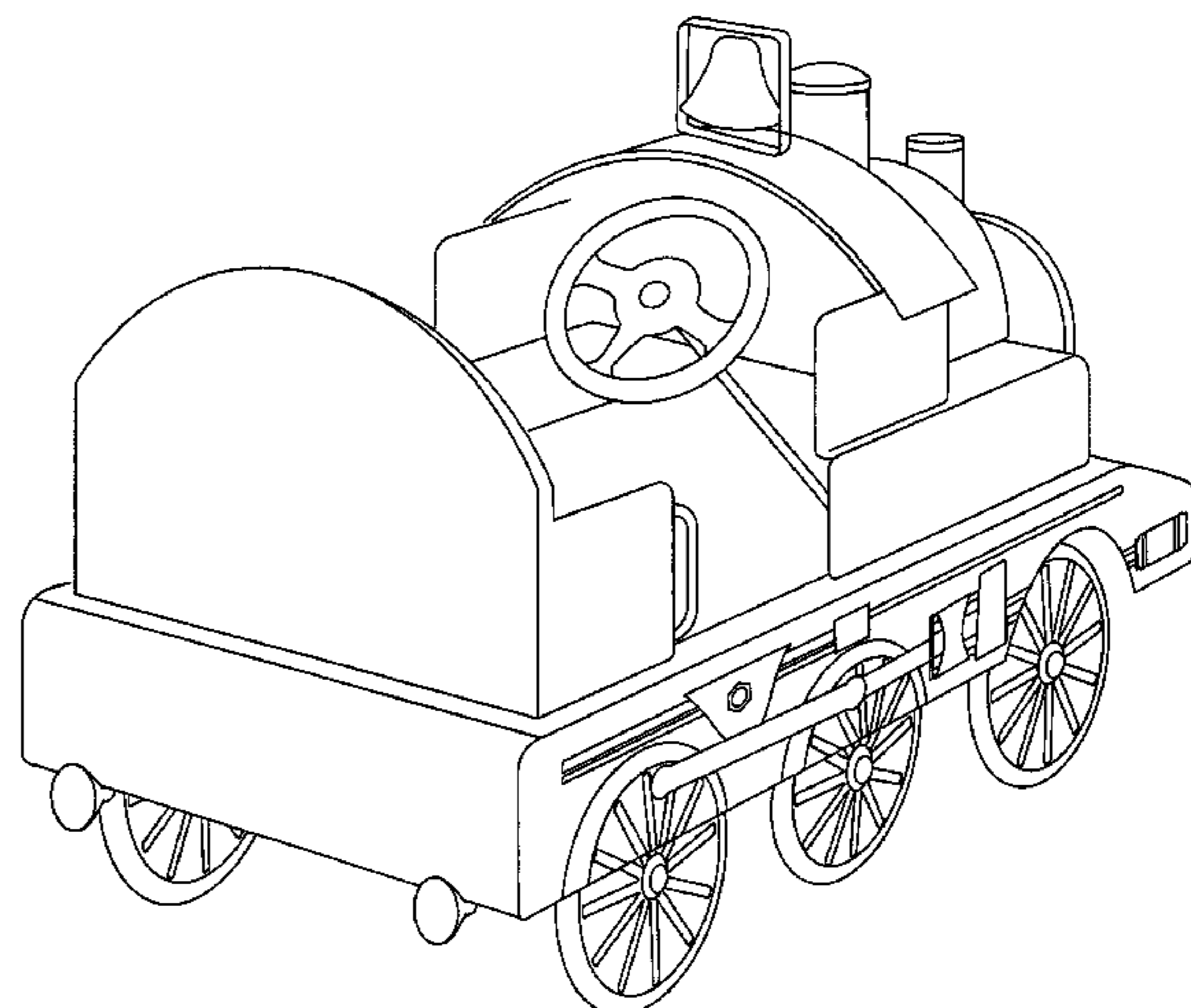
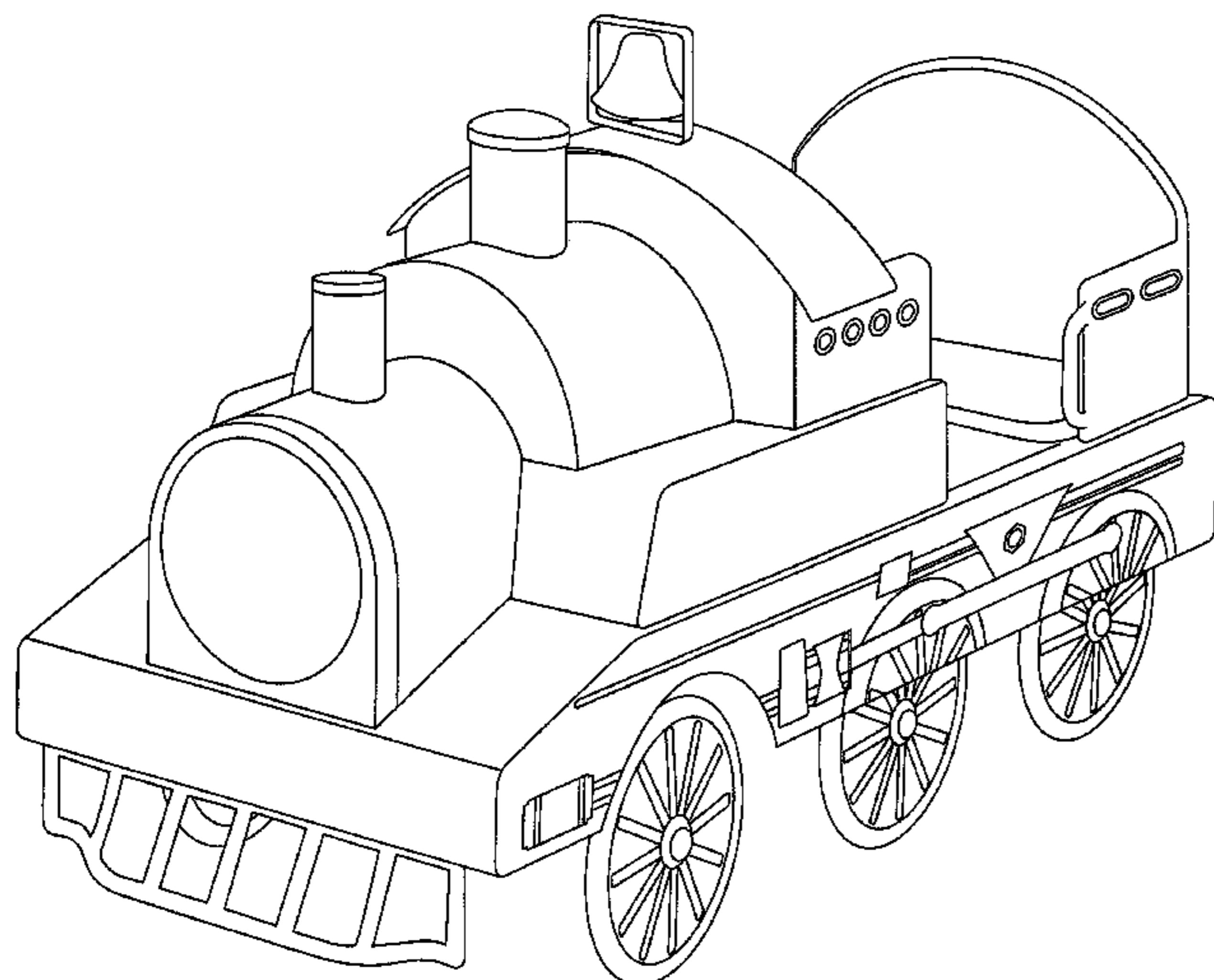
(57) **CLAIM**

The ornamental design for a pedal train, as shown and described.

DESCRIPTION

FIG. 1 is a perspective view of a pedal train of the new design; FIG. 2 is a front elevational view of the pedal train of FIG. 1; FIG. 3 is a rear elevational view of the pedal train of FIG. 1; FIG. 4 is a left side elevational view of the pedal train of FIG. 1; FIG. 5 is a right side elevational view of the pedal train of FIG. 1; and FIG. 6 is a top plan view of the pedal train of FIG. 1; and FIG. 7 is a rear perspective view of the pedal train of FIG. 1.

1 Claim, 6 Drawing Sheets



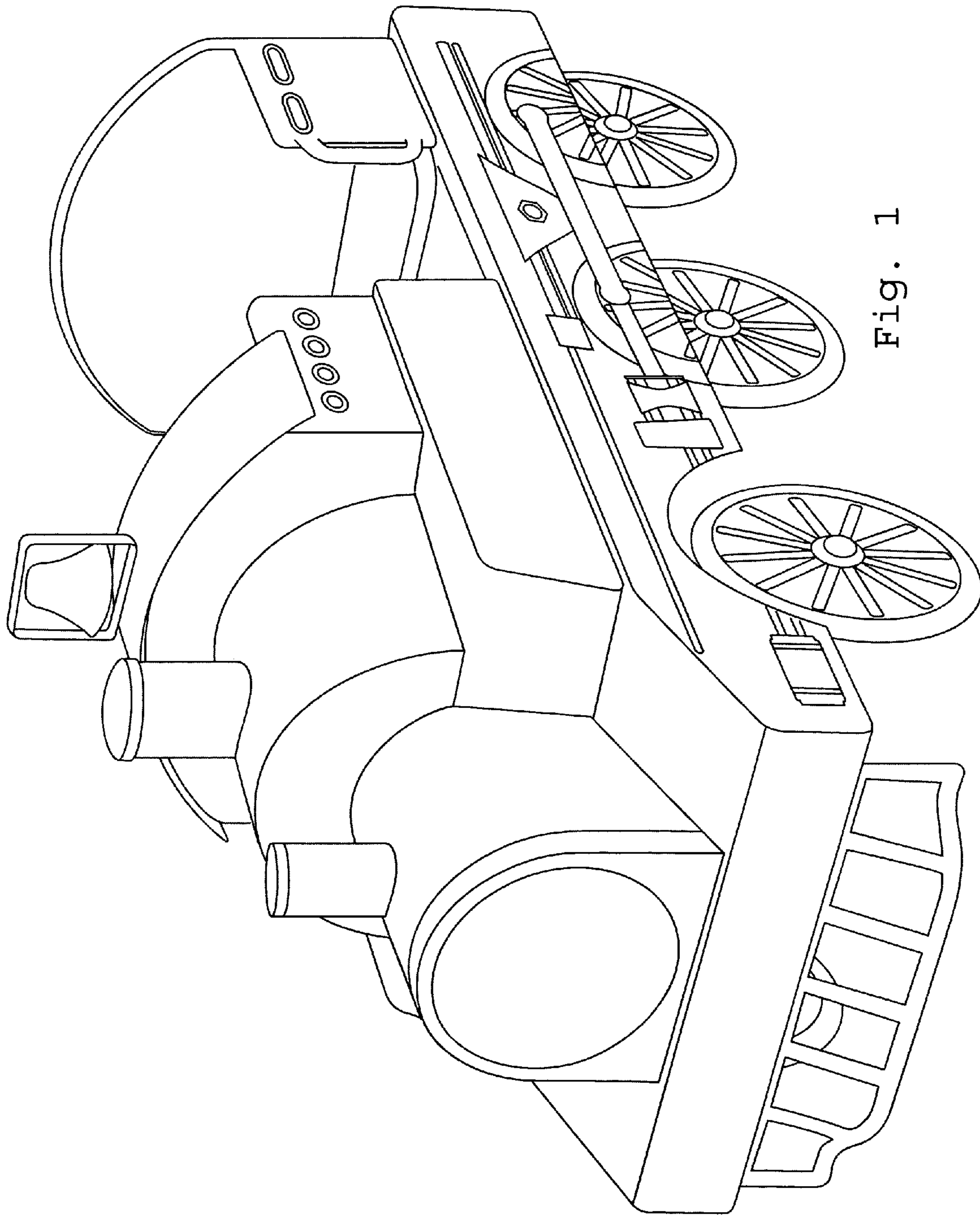


Fig. 1

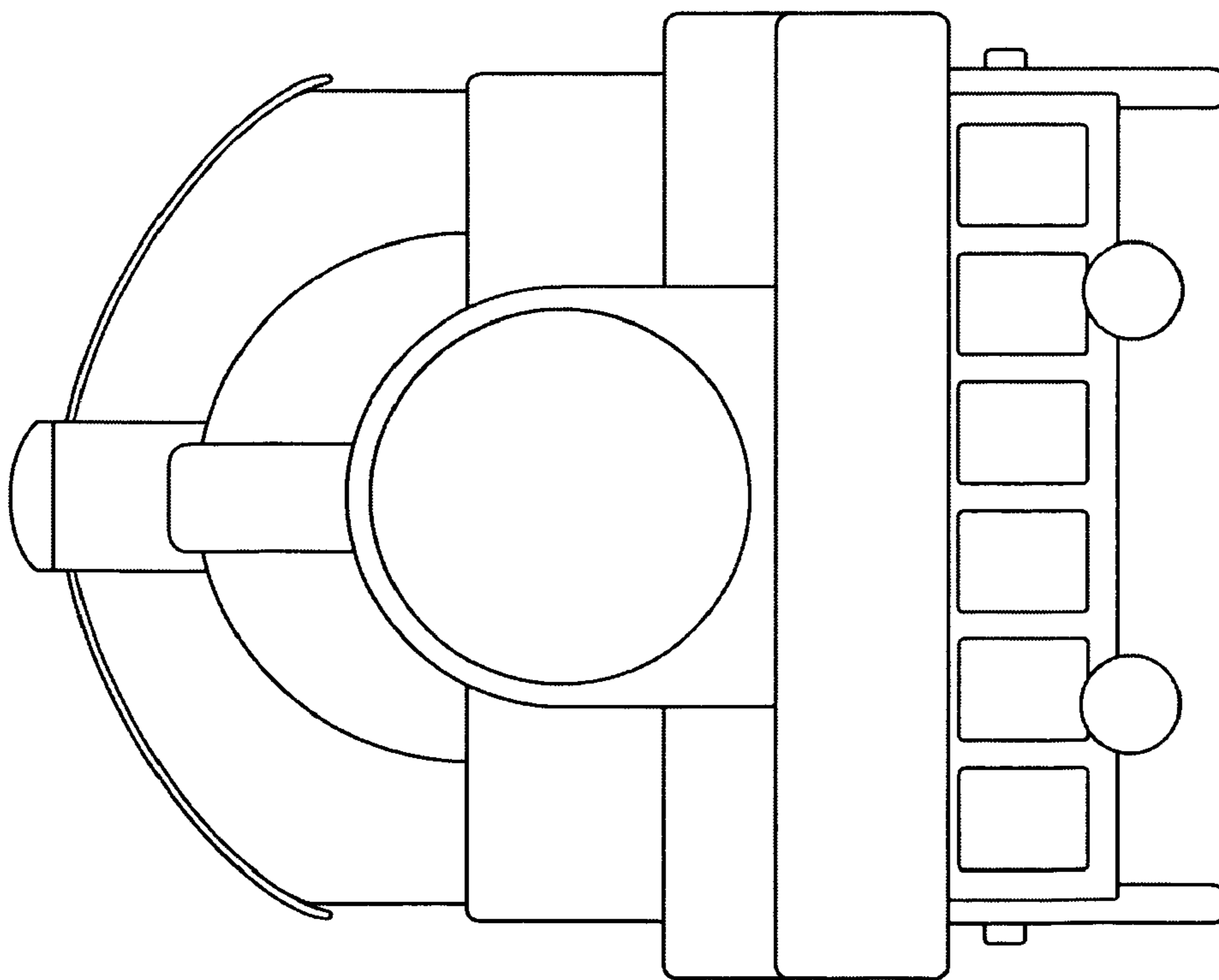


Fig. 2

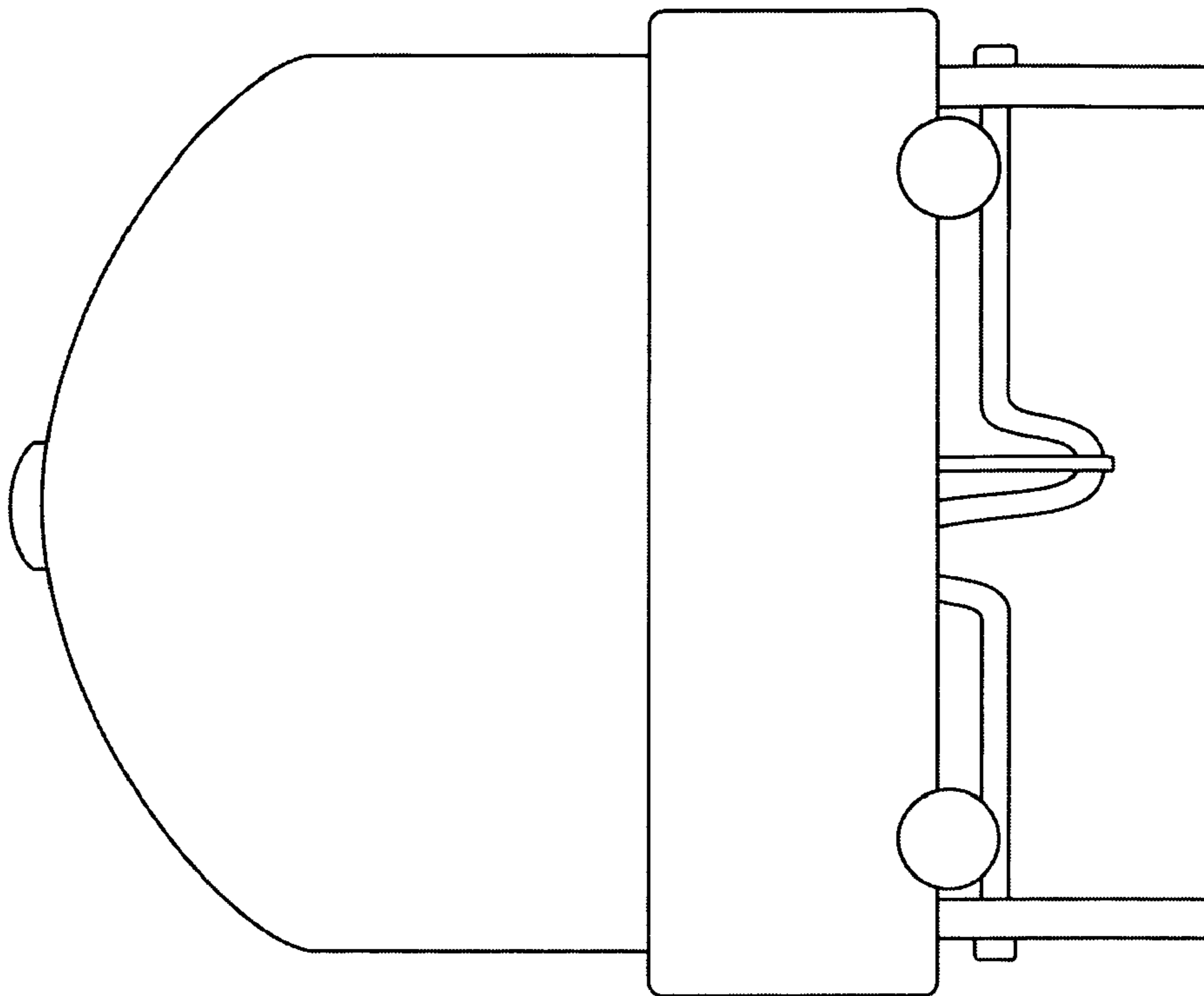


Fig. 3

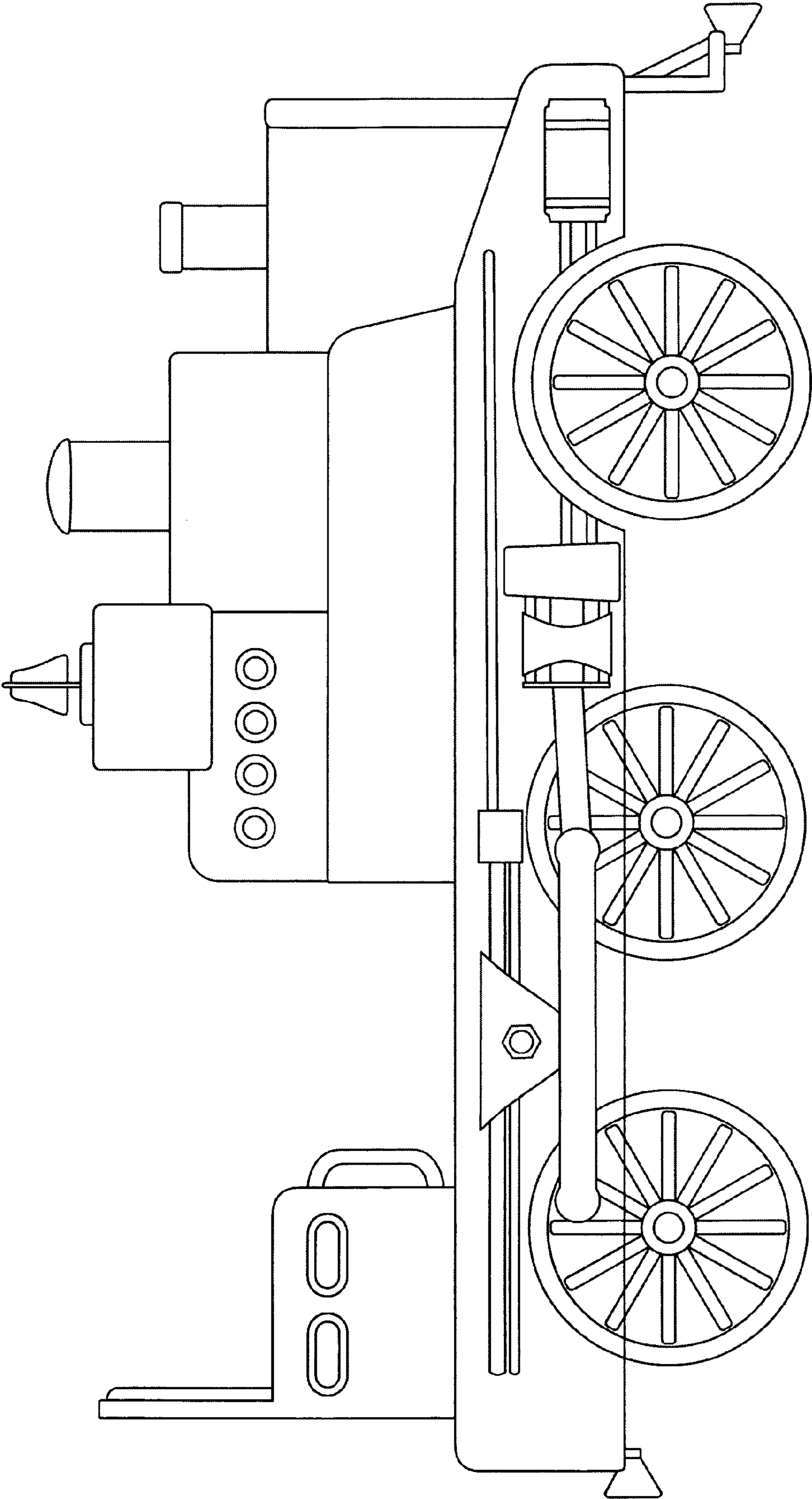


Fig. 4

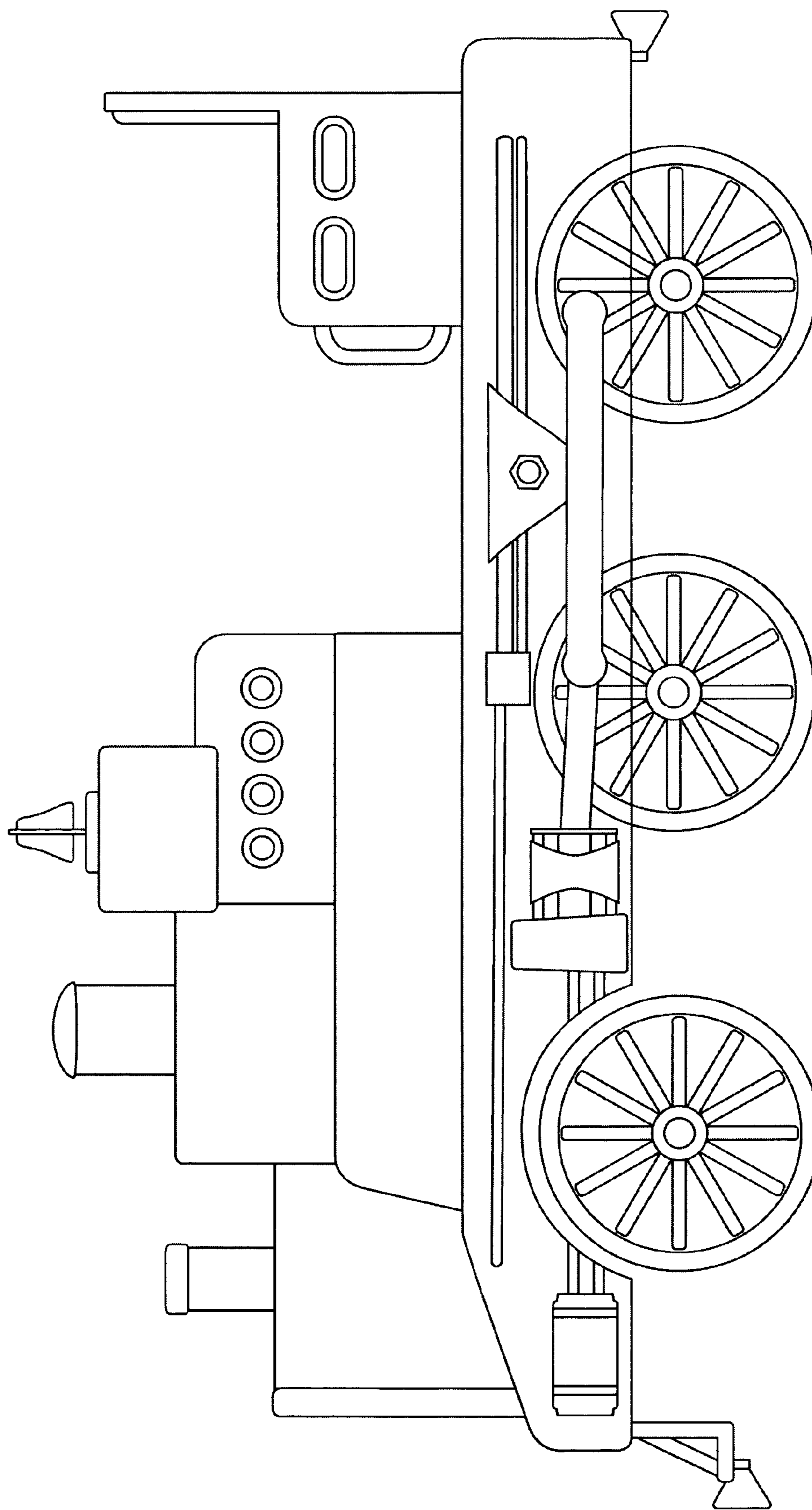


Fig. 5

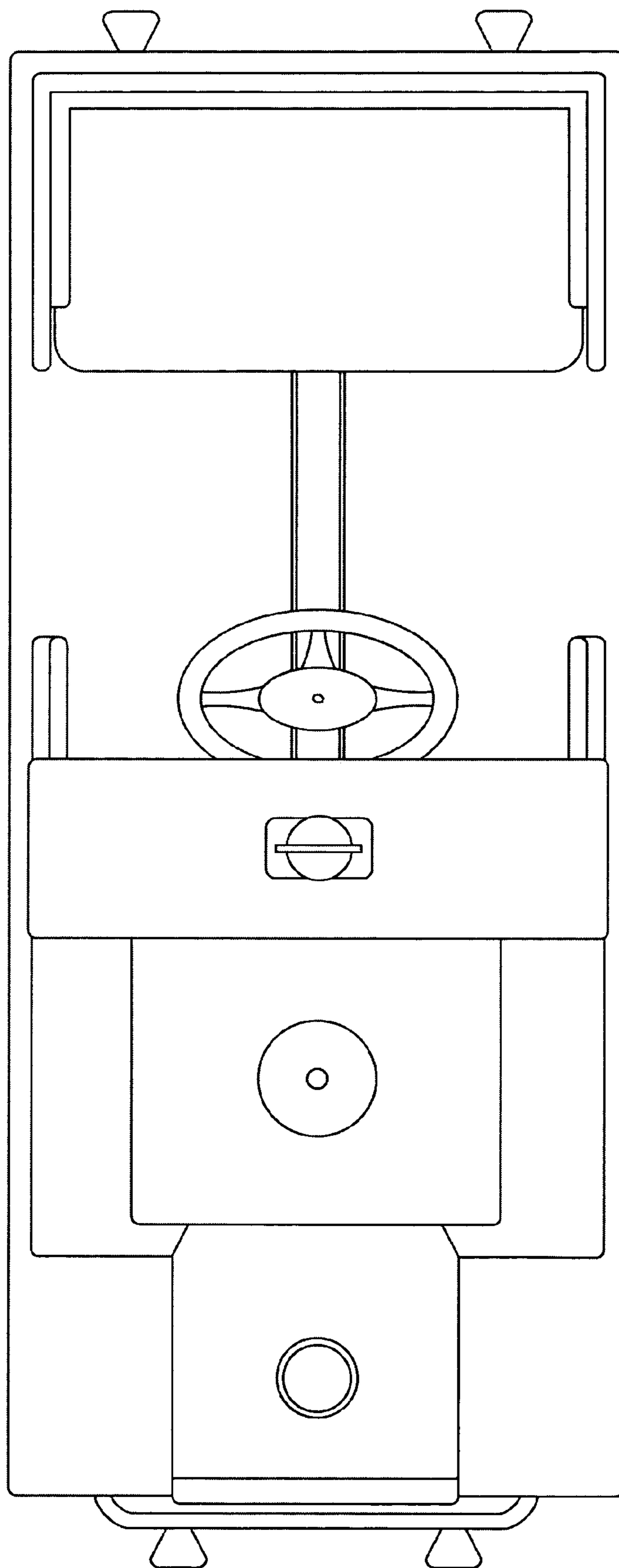


Fig. 6

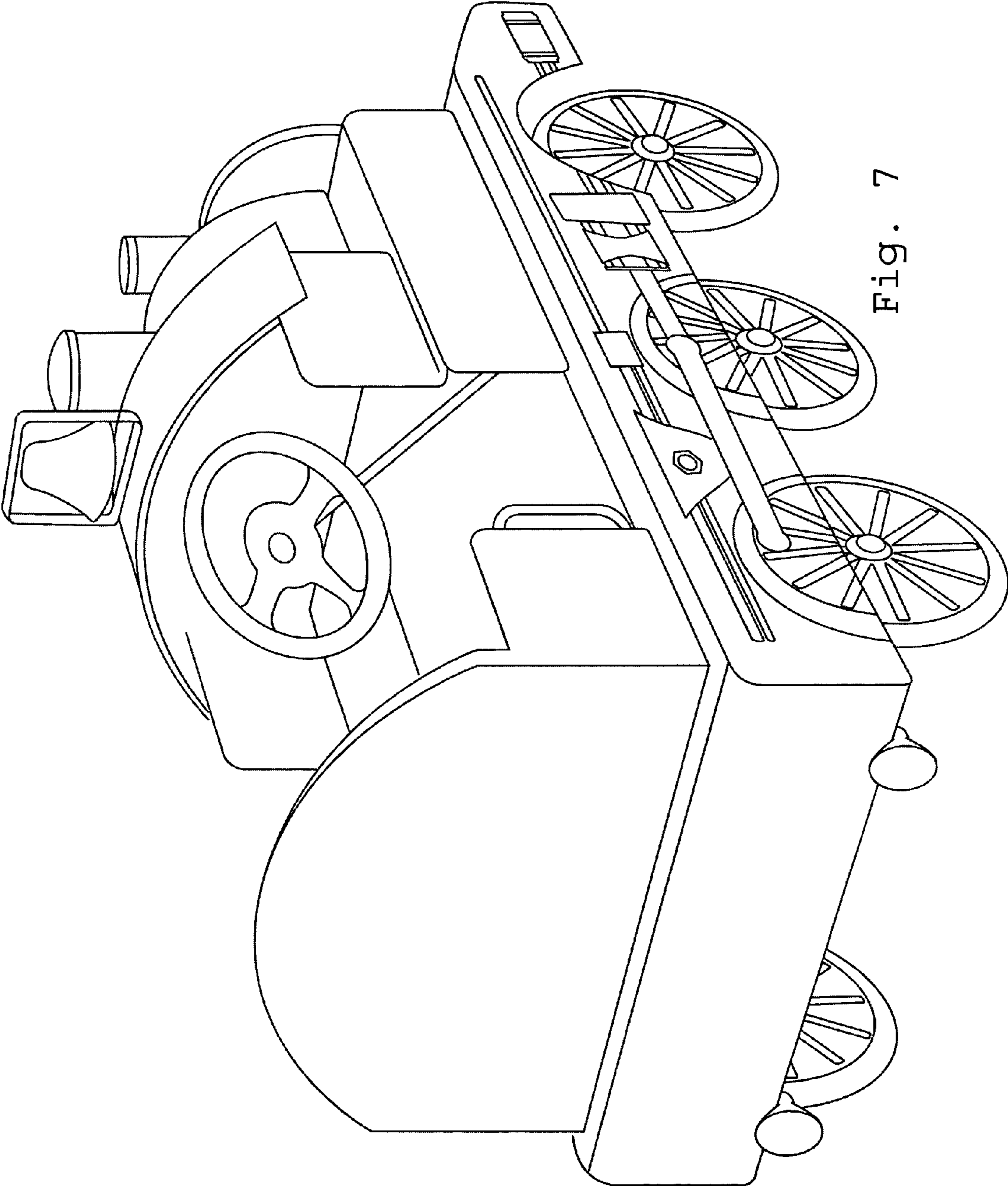


Fig. 7