



US00D588649S

(12) **United States Design Patent**
Healy et al.

(10) **Patent No.:** **US D588,649 S**
(45) **Date of Patent:** **** Mar. 17, 2009**

(54) **SIGN SUPPORT**

(75) Inventors: **Donall B. Healy**, New York, NY (US);
Marco Perry, Brooklyn, NY (US); **Jim Best**, Hewitt, NJ (US); **Todd Brunner**,
Brooklyn, NY (US)

(73) Assignee: **Visual Graphic Systems Inc.**, New
York, NY (US)

(**) Term: **14 Years**

(21) Appl. No.: **29/302,553**

(22) Filed: **Jan. 18, 2008**

(51) **LOC (9) Cl.** **20-03**

(52) **U.S. Cl.** **D20/43**

(58) **Field of Classification Search** D20/10,
D20/19, 41-44, 99; 40/605, 606.01, 606.03,
40/607.11, 611.07, 611.03, 640.02, 644,
40/651, 653, 654, 657, 662; D6/328, 467,
D6/553, 629; D8/349, 382

See application file for complete search history.

(56) **References Cited**

U.S. PATENT DOCUMENTS

2,064,127 A	12/1936	Schneider
D128,793 S	8/1941	Bonnell
D207,298 S	4/1967	Edwards
4,506,416 A	3/1985	Ohminato et al.
D303,811 S	10/1989	de Witt
5,230,535 A	7/1993	Figlenski
D350,566 S	9/1994	Pearson
D372,499 S	8/1996	Carlson et al.
D392,686 S	3/1998	Sarkisian et al.
D435,270 S	12/2000	Healy

D445,287 S *	7/2001	Kujala	D6/629
D445,837 S	7/2001	Waterhouse		
6,298,591 B1	10/2001	Healy		
6,308,446 B1	10/2001	Healy		
D450,776 S	11/2001	Albrecht		
D458,641 S	6/2002	Marcos et al.		
6,450,471 B1	9/2002	Wear		
6,607,084 B1 *	8/2003	Spinelli	211/71.01
D484,544 S *	12/2003	Healy	D20/43
D485,313 S	1/2004	Healy		
D580,498 S *	11/2008	Healy et al.	D20/43

* cited by examiner

Primary Examiner—Caron Veynar

Assistant Examiner—Mary Ann Calabrese

(74) *Attorney, Agent, or Firm*—Darby & Darby

(57) **CLAIM**

The ornamental design for sign support, as shown and described.

DESCRIPTION

FIG. 1 is a front-perspective view of a sign support according to the invention;

FIG. 2 is a top plan view of the sign support;

FIG. 3 is a rear elevational view of the sign support, the front elevational view being a mirror image thereof;

FIG. 4 is a bottom plan view of the sign support; and,

FIG. 5 is a left side elevational view of the sign support of FIG. 1, the right side elevational view being a mirror image thereof.

In the Drawings the broken lines showing of the signs in FIG. 1 forms no part of the claimed design.

1 Claim, 2 Drawing Sheets

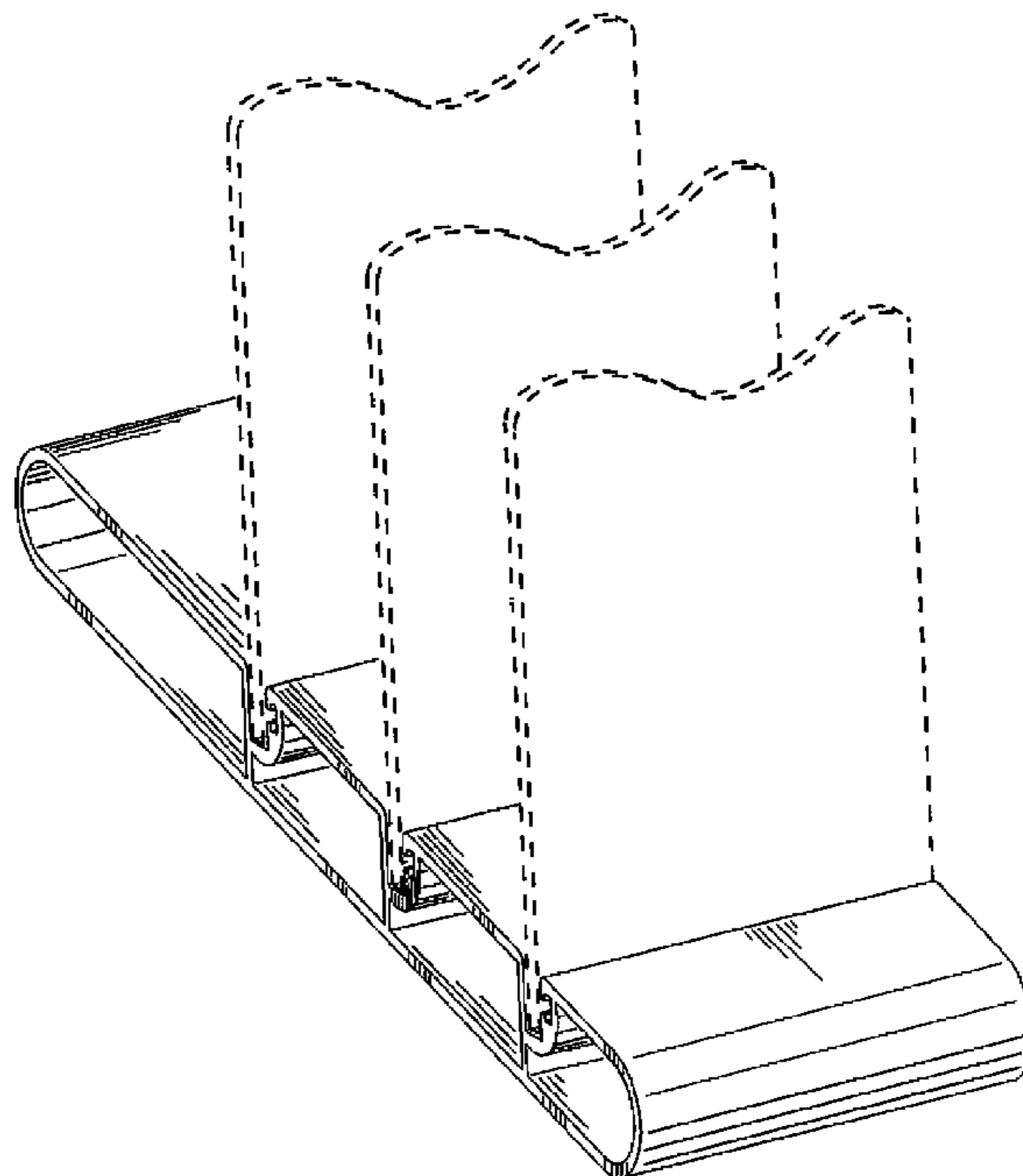


FIG. 1

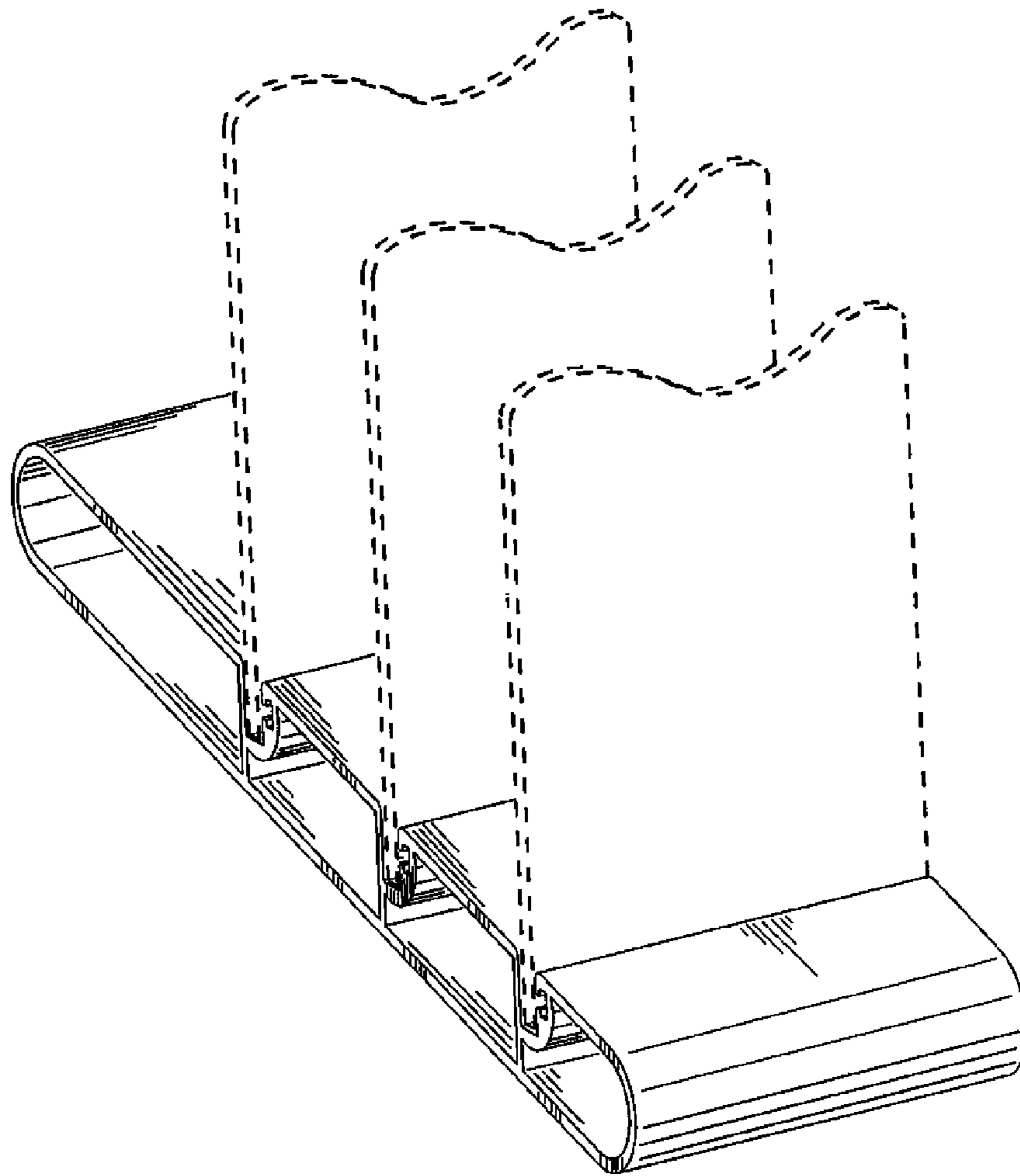


FIG. 5

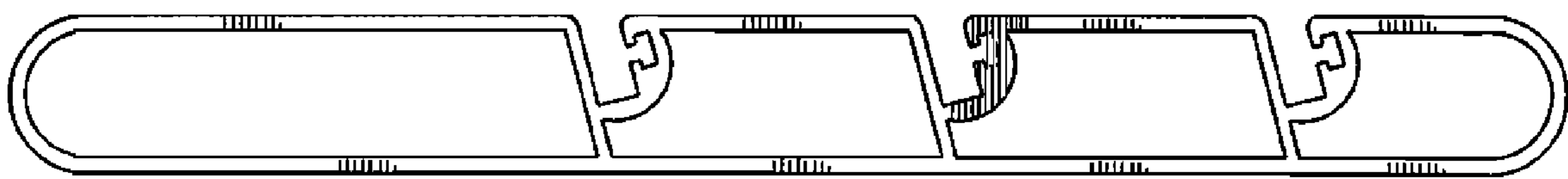


Fig. 2

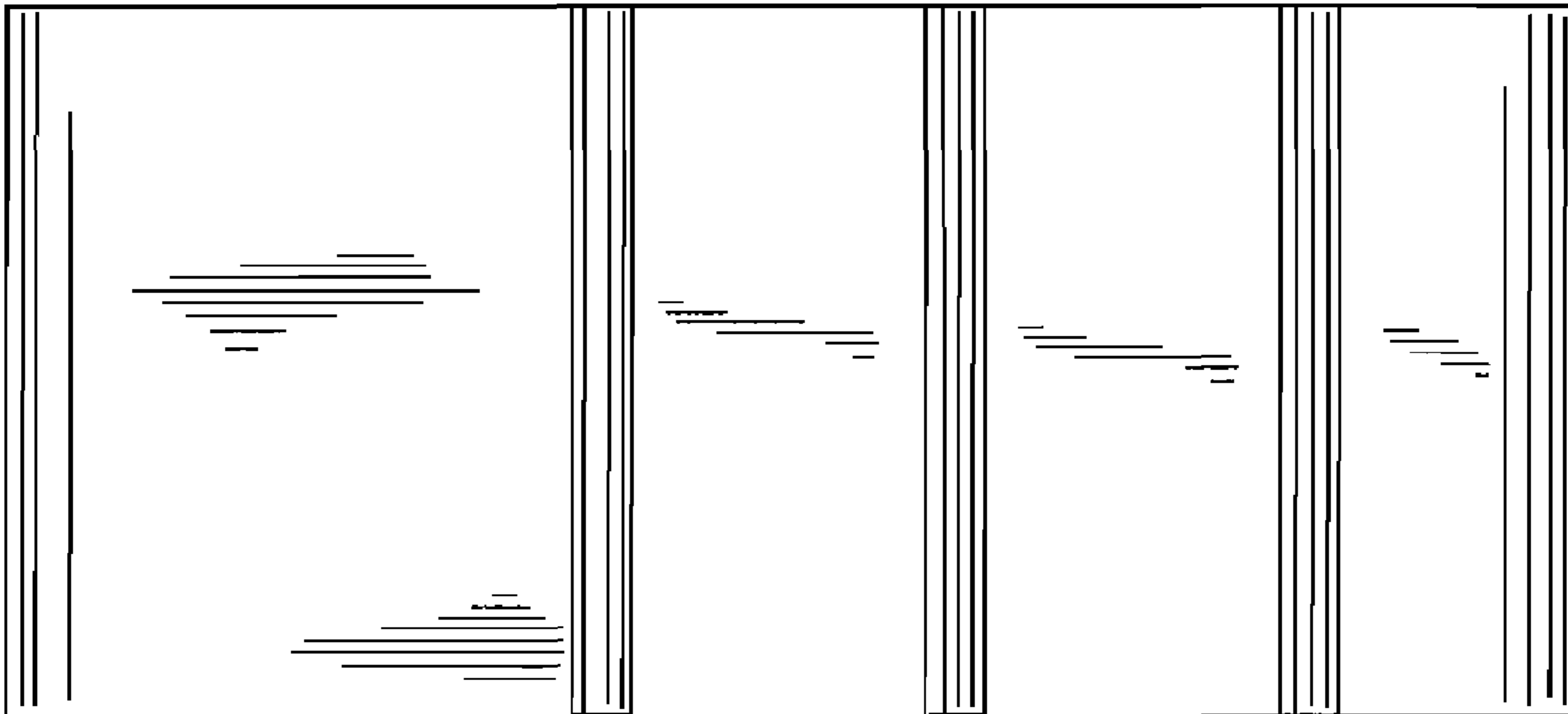


Fig. 3

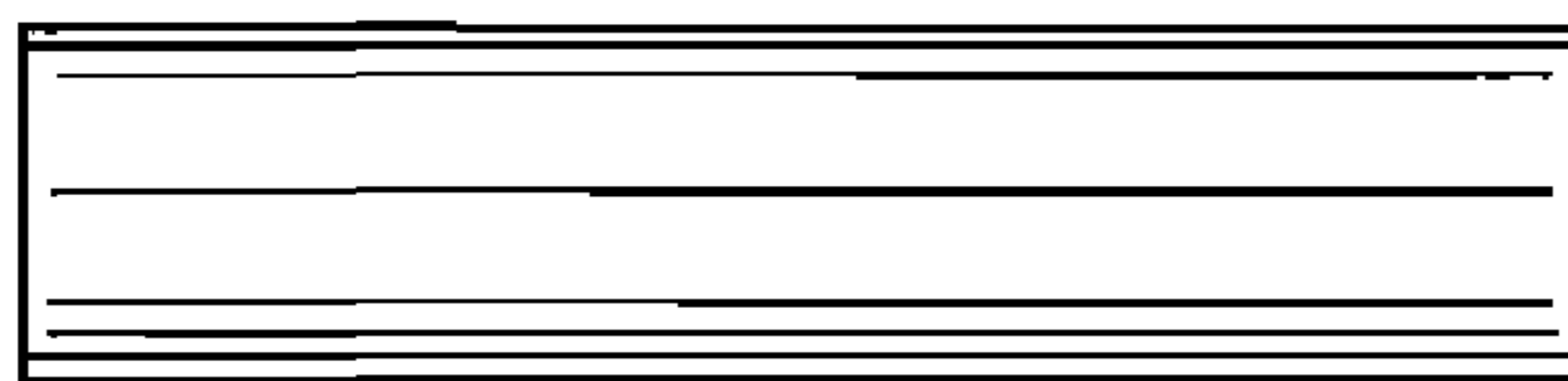


Fig. 4

